

Esper Reference

Version 8.6.0

by *EsperTech Inc.* [<http://www.espertech.com>]

Copyright 2006 - 2020 by EsperTech Inc.

Preface	xxvii
1. Getting Started	1
1.1. Introduction to Complex Event Processing	1
1.2. Introduction to the Architecture	1
1.3. Introduction to EPL	2
1.4. Compiler Getting-Started	3
1.4.1. Compiler - Step One: Setting up the Compiler Classpath	3
1.4.2. Compiler - Step Two: Provide Information on Input Events	3
1.4.3. Compiler - Step Three: Compiling EPL	4
1.5. Runtime Getting-Started	5
1.5.1. Runtime - Step One: Setting up the Runtime Classpath	5
1.5.2. Runtime - Step Two: Obtain Runtime	6
1.5.3. Runtime - Step Three: Deploy EPL Compiled Module and Attach a Callback	6
1.5.4. Runtime - Step Four: Send Events	7
1.6. Required 3rd Party Libraries	8
1.6.1. Common Required 3rd Party Libraries	8
1.6.2. Compiler - Required 3rd Party Libraries	8
1.6.3. Runtime - Required 3rd Party Libraries	8
2. Basic Concepts	9
2.1. Introduction	9
2.2. Basic Select	10
2.3. Basic Aggregation	11
2.4. Basic Filter	12
2.5. Basic Filter and Aggregation	13
2.6. Basic Data Window	14
2.7. Basic Data Window and Aggregation	15
2.8. Basic Filter, Data Window and Aggregation	17
2.9. Basic Where-Clause	17
2.10. Basic Time Window and Aggregation	19
2.11. Basic Partitioned Statement	20
2.12. Basic Output-Rate-Limited Statement	21
2.13. Basic Partitioned and Output-Rate-Limited Statement	22
2.14. Basic Named Windows and Tables	23
2.14.1. Named Windows	23
2.14.2. Tables	25
2.15. Basic Aggregated Statement Types	27
2.15.1. Un-Aggregated and Un-Grouped	27
2.15.2. Fully Aggregated and Un-Grouped	27
2.15.3. Aggregated and Un-Grouped	28
2.15.4. Fully Aggregated and Grouped	28
2.15.5. Aggregated and Grouped	28
2.16. Basic Match-Recognize Patterns	29
2.17. Basic EPL Patterns	29

2.18. Basic Indexes	30
2.18.1. Index Kinds	30
2.18.2. Filter Indexes	31
2.18.3. Event Indexes	35
2.19. Basic Null	36
3. Event Representations	37
3.1. Event Underlying Java Objects	37
3.2. Event Properties	38
3.2.1. Escape Characters	39
3.2.2. Expression as Key or Index Value	40
3.3. Dynamic Event Properties	41
3.4. Fragment and Fragment Type	43
3.5. Comparing Event Representations	43
3.5.1. Incoming Events	44
3.5.2. Outgoing Events	45
3.5.3. Schema	45
3.5.4. Side-by-Side	46
3.6. Support for Generic Tuples	47
3.7. Updating, Merging and Versioning Events	49
3.8. Coarse-Grained Events	49
3.9. Event Objects Instantiated and Populated by Insert Into	50
3.10. Event Type Uniqueness	51
4. Context and Context Partitions	53
4.1. Introduction	53
4.2. Context Declaration	55
4.2.1. Context-Provided Properties	55
4.2.2. Keyed Segmented Context	56
4.2.3. Hash Segmented Context	63
4.2.4. Category Segmented Context	66
4.2.5. Non-Overlapping Context	68
4.2.6. Overlapping Context	70
4.2.7. Context Conditions	74
4.3. Context Nesting	78
4.3.1. Nested Context Sample Walk-Through	80
4.3.2. Built-In Nested Context Properties	81
4.4. Partitioning Without Context Declaration	82
4.5. Output When a Context Partition Starts (Non-Overlapping Context) or Initiates (Overlapping Context)	83
4.6. Output When a Context Partition Ends (Non-Overlapping Context) or Terminates (Overlapping Context)	84
4.7. Context and Named Window	86
4.8. Context and Tables	87
4.9. Context and Variables	88
4.10. Operations on Specific Context Partitions	89

5. EPL Reference: Clauses	91
5.1. EPL Introduction	91
5.2. EPL Syntax	92
5.2.1. Specifying Time Periods	92
5.2.2. Using Comments	93
5.2.3. Reserved Keywords	94
5.2.4. Escaping Strings	95
5.2.5. Data Types	95
5.2.6. Using Constants and Enum Types	98
5.2.7. Annotation	99
5.2.8. Expression Alias	105
5.2.9. Expression Declaration	106
5.2.10. Inlined-Class Declaration	109
5.2.11. Script Declaration	109
5.2.12. Referring to a Context	109
5.2.13. Composite Keys and Array Values as Keys	110
5.3. Choosing Event Properties and Events: The Select Clause	110
5.3.1. Choosing the Event Itself: Select *	111
5.3.2. Choosing Specific Event Properties	112
5.3.3. Expressions	112
5.3.4. Renaming Event Properties	112
5.3.5. Choosing Event Properties and Events in a Join	113
5.3.6. Choosing Event Properties and Events From a Pattern	114
5.3.7. Selecting Insert and Remove Stream Events	115
5.3.8. Select Distinct	116
5.3.9. Transposing an Expression Result to a Stream	117
5.3.10. Selecting EventBean Instead of Underlying Event	117
5.4. Specifying Event Streams: The From Clause	117
5.4.1. Filter-Based Event Streams	118
5.4.2. Pattern-Based Event Streams	122
5.4.3. Specifying Data Windows	123
5.4.4. Multiple Data Windows	123
5.4.5. Using the Stream Name	125
5.4.6. The From-Clause is Optional	126
5.5. Specifying Search Conditions: The Where Clause	126
5.6. Aggregates and Grouping: The Group-By Clause and the Having Clause	128
5.6.1. Using Aggregate Functions	128
5.6.2. Organizing Statement Results into Groups: The Group-by Clause	129
5.6.3. Using Group-By with Rollup, Cube and Grouping Sets	132
5.6.4. Specifying Grouping for Each Aggregation Function	137
5.6.5. Specifying a Filter Expression for Each Aggregation Function	138
5.6.6. Selecting Groups of Events: The Having Clause	139
5.6.7. How the Stream Filter, Where, Group By and Having-Clauses Interact	140

5.6.8. Comparing Keyed Segmented Context, the Group By Clause and #groupwin for Data Windows	140
5.7. Stabilizing and Controlling Output: The Output Clause	142
5.7.1. Output Clause Options	142
5.7.2. Aggregation, Group By, Having and Output Clause Interaction	148
5.8. Sorting Output: the Order By Clause	149
5.9. Limiting Row Count: the Limit Clause	150
5.10. Merging Streams and Continuous Insertion: The Insert Into Clause	151
5.10.1. Transposing a Property to a Stream	153
5.10.2. Merging Streams by Event Type	154
5.10.3. Merging Disparate Types of Events: Variant Streams	154
5.10.4. Decorated Events	156
5.10.5. Event as a Property	156
5.10.6. Instantiating and Populating an Underlying Event Object	157
5.10.7. Transposing an Expression Result	157
5.10.8. Select-Clause Expression and Inserted-Into Column Event Type	157
5.10.9. Insert Into for Event Types Without Properties	158
5.11. Subqueries	159
5.11.1. The 'Exists' Keyword	162
5.11.2. The 'In' and 'Not In' Keywords	162
5.11.3. The 'Any' and 'Some' Keywords	163
5.11.4. The 'All' Keyword	164
5.11.5. Subquery With Group By Clause	164
5.11.6. Multi-Column Selection	165
5.11.7. Multi-Row Selection	166
5.11.8. Hints Related to Subqueries	167
5.12. Joining Event Streams	168
5.12.1. Introducing Joins	168
5.12.2. Inner (Default) Joins	170
5.12.3. Outer, Left and Right Joins	171
5.12.4. Unidirectional Joins	173
5.12.5. Unidirectional Full Outer Joins	174
5.12.6. Hints Related to Joins	175
5.13. Accessing Relational Data via SQL	176
5.13.1. Joining SQL Query Results	177
5.13.2. SQL Query and the EPL Where Clause	179
5.13.3. Outer Joins With SQL Queries	180
5.13.4. Using Patterns to Request (Poll) Data	180
5.13.5. Polling SQL Queries via Iterator	181
5.13.6. JDBC Implementation Overview	181
5.13.7. Oracle Drivers and No-Metadata Workaround	181
5.13.8. SQL Input Parameter and Column Output Conversion	182
5.13.9. SQL Row POJO Conversion	183
5.14. Accessing Non-Relational Data via Method, Script or UDF Invocation	183

5.14.1. Joining Method, Script or UDF Invocation Results	184
5.14.2. Polling Invocation Results via Iterator	185
5.14.3. Providing the Method	185
5.14.4. Using a Map Return Type	187
5.14.5. Using a Object Array Return Type	189
5.14.6. Using an EventBean Return Type	190
5.14.7. Providing the Script	191
5.14.8. Providing the UDF	191
5.15. Declaring an Event Type: Create Schema	191
5.15.1. Declare an Event Type by Providing Names and Types	192
5.15.2. Declare an Event Type by Providing a Class Name	196
5.15.3. Declare a Variant Stream	196
5.16. Splitting and Duplicating Streams	197
5.16.1. Generating Marker Events for Contained Events	199
5.17. Variables and Constants	200
5.17.1. Creating Variables: The Create Variable Clause	201
5.17.2. Setting Variable Values: The On Set Clause	203
5.17.3. Using Variables	205
5.17.4. Object-Type Variables	206
5.17.5. Class and Event-Type Variables	206
5.18. Declaring Global Expressions, Aliases and Scripts: Create Expression	208
5.18.1. Global Expression Aliases	208
5.18.2. Global Expression Declarations	209
5.18.3. Global Scripts	210
5.19. Contained-Event Selection	211
5.19.1. Select-Clause in a Contained-Event Selection	214
5.19.2. Where Clause in a Contained-Event Selection	216
5.19.3. Contained-Event Selection and Joins	216
5.19.4. Sentence and Word Example	218
5.19.5. More Examples	219
5.19.6. Contained Expression Returning an Array of Property Values	220
5.19.7. Contained Expression Returning an Array of EventBean	221
5.19.8. Contained Expression Returning a Collection of Underlying Event Objects	222
5.19.9. Generating Marker Events Such as a Begin and End Event	222
5.19.10. Contained-Event Limitations	222
5.20. Updating an Insert Stream: The Update IStream Clause	222
5.20.1. Immutability and Updates	225
5.21. Controlling Event Delivery : The For Clause	226
6. EPL Reference: Named Windows and Tables	229
6.1. Overview	229
6.1.1. Named Window Overview	229
6.1.2. Table Overview	230
6.1.3. Comparing Named Windows and Tables	230

6.2. Named Window Usage	232
6.2.1. Creating Named Windows: The Create Window clause	232
6.2.2. Inserting Into Named Windows	235
6.2.3. Selecting From Named Windows	238
6.3. Table Usage	239
6.3.1. Creating Tables: The Create Table Clause	239
6.3.2. Aggregating Into Table Rows: The Into Table Clause	242
6.3.3. Table Column Keyed-Access Expressions	246
6.3.4. Inserting Into Tables	248
6.3.5. Selecting From Tables	249
6.3.6. Resetting Table Columns and Aggregation State	250
6.3.7. Initializing Table Columns and Aggregation State	251
6.4. Triggered Select: The On Select Clause	251
6.4.1. Notes on On-Select With Named Windows	253
6.4.2. Notes on On-Select With Tables	254
6.4.3. On-Select Compared to Join	254
6.5. Triggered Select+Delete: The On Select Delete Clause	254
6.6. Updating Data: The On Update Clause	255
6.6.1. Notes on On-Update With Named Windows	259
6.6.2. Notes on On-Update With Tables	259
6.7. Deleting Data: The On Delete Clause	259
6.7.1. Using Patterns in the On-Delete Clause	261
6.7.2. Silent Delete With Named Windows	261
6.7.3. Notes on On-Delete With Named Windows	262
6.7.4. Notes on On-Update With Tables	262
6.8. Triggered Upsert Using the On-Merge Clause	262
6.8.1. On-Merge Insert	262
6.8.2. On-Merge Update, Delete, Select (Upsert)	263
6.8.3. Notes on On-Merge With Named Windows	267
6.8.4. Notes on On-Merge With Tables	268
6.9. Explicitly Indexing Named Windows and Tables	268
6.10. Using Fire-and-Forget Queries With Named Windows and Tables	271
6.10.1. Inserting Data	271
6.10.2. Updating Data	272
6.10.3. Deleting Data	273
6.11. Events as Property	273
7. EPL Reference: Patterns	275
7.1. Event Pattern Overview	275
7.2. How to Use Patterns	276
7.2.1. Pattern Syntax	276
7.2.2. Patterns in EPL	276
7.2.3. Subscribing to Pattern Events	277
7.2.4. Pulling Data From Patterns	277
7.2.5. Pattern Error Reporting	278

7.2.6. Suppressing Same-Event Matches	278
7.2.7. Discarding Partially Completed Patterns	279
7.3. Operator Precedence	280
7.4. Filter Expressions in Patterns	282
7.4.1. Filter Expressions and Filter Indexes	284
7.4.2. Controlling Event Consumption	284
7.4.3. Use With Named Windows and Tables	285
7.5. Pattern Operators	286
7.5.1. Every	286
7.5.2. Every-Distinct	291
7.5.3. Repeat	293
7.5.4. Repeat-Until	295
7.5.5. And	298
7.5.6. Or	300
7.5.7. Not	300
7.5.8. Followed-By	301
7.5.9. Pattern Guards	303
7.6. Pattern Atoms	308
7.6.1. Filter Atoms	308
7.6.2. Observer Atoms Overview	308
7.6.3. Interval (timer:interval)	308
7.6.4. Crontab (timer:at)	309
7.6.5. Schedule (timer:schedule)	312
7.7. Event Pattern Walkthrough	318
8. EPL Reference: Match Recognize	321
8.1. Overview	321
8.2. Comparison of Match Recognize and EPL Patterns	321
8.3. Syntax	322
8.3.1. Syntax Example	323
8.4. Pattern and Pattern Operators	325
8.4.1. Operator Precedence	325
8.4.2. Concatenation	325
8.4.3. Alternation	326
8.4.4. Quantifiers Overview	327
8.4.5. Permutations	327
8.4.6. Variables Can Be Singleton or Group	328
8.4.7. Eliminating Duplicate Matches	329
8.4.8. Greedy or Reluctant	330
8.4.9. Quantifier - One or More (+ and +?)	331
8.4.10. Quantifier - Zero or More (* and *?)	331
8.4.11. Quantifier - Zero or One (? and ??)	332
8.4.12. Repetition - Exactly N Matches	333
8.4.13. Repetition - N or More Matches	334
8.4.14. Repetition - Between N and M Matches	334

8.4.15. Repetition - Between Zero and M Matches	335
8.4.16. Repetition Equivalence	336
8.5. Define Clause	336
8.5.1. The Prev Operator	337
8.6. Measure Clause	338
8.7. Datawindow-Bound	338
8.8. Interval	339
8.9. Interval-or-Terminated	340
8.10. Use With Different Event Types	341
8.11. Limiting Runtime-Wide State Count	342
8.12. Limitations	343
9. EPL Reference: Operators	345
9.1. Arithmetic Operators	345
9.2. Logical and Comparison Operators	345
9.2.1. Null-Value Comparison Operators	345
9.3. Concatenation Operators	346
9.4. Binary Operators	346
9.5. Array Definition Operator	347
9.6. Array Element Operator	347
9.7. Dot Operator	348
9.7.1. Duck Typing	349
9.8. The 'In' Keyword	350
9.8.1. 'In' for Range Selection	351
9.9. The 'Between' Keyword	352
9.10. The 'Like' Keyword	353
9.11. The 'Regexp' Keyword	354
9.12. The 'Any' and 'Some' Keywords	354
9.13. The 'All' Keyword	355
9.14. The 'New' Keyword	356
9.14.1. Using 'New' to Populate a Data Structure	356
9.14.2. Using 'New' to Instantiate an Object	357
9.14.3. Using 'New' to Allocate an Array	358
9.14.4. Using 'New' to Allocate and Initialize an Array	359
10. EPL Reference: Functions	361
10.1. Single-Row Function Reference	361
10.1.1. The Case Control Flow Function	363
10.1.2. The Cast Function	364
10.1.3. The Coalesce Function	366
10.1.4. The Current_Evaluation_Context Function	366
10.1.5. The Current_Timestamp Function	367
10.1.6. The Event_Identity_Equals Function	367
10.1.7. The Exists Function	368
10.1.8. The Grouping Function	368
10.1.9. The Grouping_Id Function	368

10.1.10. The Instance-Of Function	369
10.1.11. The Istream Function	370
10.1.12. The Min and Max Functions	371
10.1.13. The Previous Function	371
10.1.14. The Previous-Tail Function	374
10.1.15. The Previous-Window Function	375
10.1.16. The Previous-Count Function	377
10.1.17. The Prior Function	378
10.1.18. The Type-Of Function	378
10.2. Aggregation Functions	380
10.2.1. SQL-Standard Functions	381
10.2.2. Event Aggregation Functions	383
10.2.3. Approximation Aggregation Functions	391
10.2.4. Additional Aggregation Functions	394
10.3. User-Defined Functions	397
10.4. Select-Clause Transpose Function	401
10.4.1. Transpose with Insert-Into	402
11. EPL Reference: Enumeration Methods	403
11.1. Overview	403
11.2. Example Events	407
11.3. How to Use	409
11.3.1. Syntax	409
11.3.2. Introductory Examples	409
11.3.3. Index and Size Formal Parameters	410
11.3.4. Input, Output and Limitations	411
11.4. Inputs	412
11.4.1. Subquery Results	412
11.4.2. Named Window	414
11.4.3. Table	415
11.4.4. Event Property and Insert-Into With @eventbean	415
11.4.5. Event Aggregation Function	416
11.4.6. Prev, Prevwindow and Prevtail Single-Row Functions as Input	417
11.4.7. Single-Row Function, User-Defined Function and Enum Types	418
11.4.8. Declared Expression	420
11.4.9. Variables	420
11.4.10. Substitution Parameters	420
11.4.11. Match-Recognize Group Variable	421
11.4.12. Pattern Repeat and Repeat-Until Operators	421
11.5. Example	421
11.6. Reference	422
11.6.1. Aggregate	422
11.6.2. AllOf	423
11.6.3. AnyOf	424
11.6.4. ArrayOf	424

11.6.5. Average	425
11.6.6. CountOf	426
11.6.7. DistinctOf	426
11.6.8. Except	427
11.6.9. FirstOf	428
11.6.10. GroupBy	428
11.6.11. Intersect	429
11.6.12. LastOf	430
11.6.13. LeastFrequent	431
11.6.14. Max	431
11.6.15. MaxBy	432
11.6.16. Min	433
11.6.17. MinBy	433
11.6.18. MostFrequent	434
11.6.19. OrderBy and OrderByDesc	435
11.6.20. Reverse	436
11.6.21. SelectFrom	436
11.6.22. SequenceEqual	437
11.6.23. SumOf	438
11.6.24. Take	438
11.6.25. TakeLast	439
11.6.26. TakeWhile	439
11.6.27. TakeWhileLast	440
11.6.28. ToMap	441
11.6.29. Union	441
11.6.30. Where	442
12. EPL Reference: Date-Time Methods	445
12.1. Overview	445
12.2. How to Use	449
12.2.1. Syntax	449
12.3. Calendar and Formatting Reference	450
12.3.1. Between	450
12.3.2. Format	451
12.3.3. Get (By Field)	452
12.3.4. Get (By Name)	452
12.3.5. Minus	453
12.3.6. Plus	453
12.3.7. RoundCeiling	454
12.3.8. RoundFloor	454
12.3.9. RoundHalf	454
12.3.10. Set (By Field)	455
12.3.11. WithDate	455
12.3.12. WithMax	456
12.3.13. WithMin	456

12.3.14. WithTime	456
12.3.15. ToCalendar	457
12.3.16. ToDate	457
12.3.17. ToMillisec	457
12.4. Interval Algebra Reference	457
12.4.1. Examples	458
12.4.2. Interval Algebra Parameters	458
12.4.3. Performance	459
12.4.4. Limitations	459
12.4.5. After	459
12.4.6. Before	460
12.4.7. Coincides	461
12.4.8. During	462
12.4.9. Finishes	463
12.4.10. Finished By	464
12.4.11. Includes	465
12.4.12. Meets	466
12.4.13. Met By	467
12.4.14. Overlaps	467
12.4.15. Overlapped By	468
12.4.16. Starts	469
12.4.17. Started By	470
13. EPL Reference: Aggregation Methods	473
13.1. Overview	473
13.2. How to Use	473
13.2.1. Syntax	473
13.2.2. Use with Aggregation Function	474
13.2.3. Use with Table Column	474
13.2.4. Using Dot to Obtain Property Values	475
13.2.5. Using Dot to Enumerate Events	475
13.3. Aggregation Methods for Sorted Aggregations	475
13.3.1. Overview	475
13.3.2. Specifying Composite Keys	479
13.3.3. CeilingEvent, FloorEvent, HigherEvent, LowerEvent, GetEvent	479
13.3.4. CeilingEvents, FloorEvents, HigherEvents, LowerEvents, GetEvents	479
13.3.5. CeilingKey, FloorKey, HigherKey, LowerKey	480
13.3.6. FirstEvent, LastEvent, MinBy, MaxBy	481
13.3.7. FirstEvents, LastEvents	481
13.3.8. FirstKey, LastKey	481
13.3.9. ContainsKey	482
13.3.10. CountEvents	482
13.3.11. CountKeys	482
13.3.12. EventsBetween	483
13.3.13. Submap	483

13.3.14. NavigableMapReference	483
13.4. Aggregation Methods for Window Aggregations	484
13.4.1. Overview	484
13.4.2. CountEvents	485
13.4.3. ListReference	485
13.4.4. First, Last	486
13.5. Aggregation Methods for CountMinSketch Aggregations	486
13.6. Aggregation Methods for Custom Plug-In Multi-Function Aggregations	486
14. EPL Reference: Data Windows	487
14.1. A Note on Data Window Name and Parameters	490
14.2. A Note on Batch Windows	492
14.3. Data Windows	493
14.3.1. Length Window (length or win:length)	493
14.3.2. Length Batch Window (length_batch or win:length_batch)	494
14.3.3. Time Window (time or win:time)	494
14.3.4. Externally-timed Window (ext_timed or win:ext_timed)	494
14.3.5. Time batch Window (time_batch or win:time_batch)	495
14.3.6. Externally-timed Batch Window (ext_timed_batch or win:ext_timed_batch)	497
14.3.7. Time-Length Combination Batch Window (time_length_batch or win:time_length_batch)	498
14.3.8. Time-Accumulating Window (time_accum or win:time_accum)	499
14.3.9. Keep-All Window (keepall or win:keepall)	500
14.3.10. First Length Window(firstlength or win:firstlength)	500
14.3.11. First Time Window (firsttime or win:firsttime)	501
14.3.12. Expiry Expression Window (expr or win:expr)	501
14.3.13. Expiry Expression Batch Window (expr_batch or win:expr_batch)	504
14.3.14. Unique Window (unique or std:unique)	506
14.3.15. Grouped Data Window (groupwin or std:groupwin)	507
14.3.16. Last Event Window (std:lastevent)	510
14.3.17. First Event Window (firstevent or std:firstevent)	511
14.3.18. First Unique Window (firstunique or std:firstunique)	511
14.3.19. Sorted Window (sort or ext:sort)	512
14.3.20. Ranked Window (rank or ext:rank)	512
14.3.21. Time-Order Window (time_order or ext:time_order)	514
14.3.22. Time-To-Live Window (timetolive or ext:timetolive)	515
14.4. Special Derived-Value Windows	516
14.4.1. Size Derived-Value Window (size) or std:size)	516
14.4.2. Univariate Statistics Derived-Value Window (uni or stat:uni)	517
14.4.3. Regression Derived-Value Window (linest or stat:linest)	518
14.4.4. Correlation Derived-Value Window (correl or stat:correl)	520
14.4.5. Weighted Average Derived-Value Window (weighted_avg or stat:weighted_avg)	521
15. Compiler Reference	523

15.1. Introduction	523
15.2. Concepts	524
15.2.1. Module	524
15.2.2. EPL-objects	525
15.2.3. Dependencies	526
15.2.4. Dependency Resolution	527
15.2.5. Access Modifiers	528
15.2.6. Bus Modifier for Event Types	528
15.3. Compiling a Module	529
15.4. Reading and Writing a Compiled Module	529
15.5. Reading Module Content	529
15.6. Compiler Arguments	530
15.6.1. Compiler Configuration	530
15.6.2. Compiler Path	531
15.6.3. Compiler Options	533
15.7. Statement Object Model	533
15.7.1. Building an Object Model	534
15.7.2. Building Expressions	535
15.7.3. Building a Pattern Statement	536
15.7.4. Building a Select Statement	536
15.7.5. Building a Create-Variable and On-Set Statement	537
15.7.6. Building Create-Window, On-Delete and On-Select Statements	538
15.8. Substitution Parameters	539
15.9. OSGi, Class Loader, Class-For-Name	540
15.10. Authoring Tools	540
15.11. Testing Tools	540
15.12. Debugging	541
15.12.1. @Audit Annotation	541
15.13. Ordering Multiple Modules	543
15.14. Logging	543
15.15. Debugging Generated Code	543
15.16. Compiler Version and Runtime Version	544
15.17. Compiler Byte Code Optimizations	544
15.18. Compiler Filter Expression Analysis	544
15.18.1. Constituent Analysis	545
15.18.2. Value Composite Expression Analysis	547
15.18.3. Lookupable Composite Expression Analysis	549
15.18.4. Boolean Reusable Expression Analysis	550
15.18.5. Condition Analysis and Planning	552
15.19. Limitations	553
16. Runtime Reference	555
16.1. Introduction	555
16.2. Obtaining a Runtime From EPRuntimeProvider	555
16.3. The EPRuntime Runtime Interface	556

16.4. Deploying and Undeploying Using EPDeploymentService	557
16.4.1. Substitution Parameters	558
16.4.2. Roll-Out of Multiple Compiled Modules	559
16.4.3. Atomic Deployment Management	560
16.5. Obtaining Results Using EPStatement	561
16.5.1. Receiving Statement Results	561
16.5.2. Setting a Subscriber Object	563
16.5.3. Adding Listeners	569
16.5.4. Using Iterators	570
16.5.5. Event and Event Type	572
16.5.6. Type Information	576
16.5.7. Interrogating Annotations	577
16.6. Processing Events and Time Using EPEventService	577
16.6.1. Event Sender	579
16.6.2. Receiving Unmatched Events	580
16.7. Execute Fire-and-Forget Queries Using EPFireAndForgetService	580
16.7.1. Fire-and-forget Query Single Execution	582
16.7.2. Fire-and-forget Query Prepared Unparameterized Execution	582
16.7.3. Fire-and-forget Query Prepared Parameterized Execution	583
16.7.4. The From-Clause is Optional	584
16.8. Runtime Threading and Concurrency	584
16.8.1. Advanced Threading	586
16.8.2. Processing Order	589
16.9. Controlling Time-Keeping	590
16.9.1. Controlling Time Using Time Span Events	592
16.9.2. Time Resolution and Time Unit	593
16.9.3. Internal Timer Based on JVM System Time	594
16.10. Exception Handling	595
16.11. Condition Handling	596
16.12. Runtime and Statement Metrics Reporting	596
16.12.1. Runtime Metrics	598
16.12.2. Statement Metrics	598
16.13. Monitoring and JMX	599
16.14. Event Rendering to XML and JSON	599
16.14.1. JSON Event Rendering Conventions and Options	600
16.14.2. XML Event Rendering Conventions and Options	601
16.15. Plug-In Loader	601
16.16. Context Partition Selection	603
16.16.1. Selectors	604
16.17. Context Partition Administration	605
16.18. Test and Assertion Support	605
16.18.1. EPAssertionUtil Summary	606
16.18.2. SupportUpdateListener Summary	606
16.18.3. Usage Example	607

16.19. OSGi, Class Loader, Class-For-Name	608
16.20. When Deploying with J2EE	608
16.20.1. J2EE Deployment Considerations	608
16.20.2. Servlet Context Listener	609
16.21. Stages	610
16.21.1. Overview	610
16.21.2. Stage APIs	611
16.21.3. Stage Example: Suspending and Resuming a Statement	612
16.21.4. Stage Other Considerations	614
16.21.5. Stage Limitations	614
17. Configuration	615
17.1. Overview	615
17.2. Programmatic Configuration	615
17.3. Configuration via XML File	616
17.4. Configuration Common	616
17.4.1. Annotation Class and Package Imports	617
17.4.2. Class and Package Imports	617
17.4.3. Events Represented by Classes	618
17.4.4. Events Represented by java.util.Map	623
17.4.5. Events Represented by Object[] (Object-array)	624
17.4.6. Events Represented by JSON	626
17.4.7. Events Represented by Avro GenericData.Record	626
17.4.8. Events Represented by org.w3c.dom.Node	628
17.4.9. Event Type Defaults	634
17.4.10. Event Type Import Package (Event Type Auto-Name)	637
17.4.11. From-Clause Method Invocation	637
17.4.12. Relational Database Access	638
17.4.13. Common Settings Related to Logging	646
17.4.14. Common Settings Related to Time Source	647
17.4.15. Variables	648
17.4.16. Variant Stream	648
17.5. Configuration Compiler	649
17.5.1. Compiler Settings Related to Byte Code Generation	649
17.5.2. Compiler Settings Related to View Resources	652
17.5.3. Compiler Settings Related to Logging	653
17.5.4. Compiler Settings Related to Stream Selection	654
17.5.5. Compiler Settings Related to Language and Locale	655
17.5.6. Compiler Settings Related to Expression Evaluation	655
17.5.7. Compiler Settings Related to Scripts	657
17.5.8. Compiler Settings Related to Execution of Statements	658
17.5.9. Compiler Settings Related to Serializers and Deserializers	660
17.6. Configuration Runtime	660
17.6.1. Runtime Settings Related to Concurrency and Threading	661
17.6.2. Runtime Settings Related to Logging	665

17.6.3. Runtime Settings Related to Variables	667
17.6.4. Runtime Settings Related to Patterns	667
17.6.5. Runtime Settings Related to Match-Recognize	668
17.6.6. Runtime Settings Related to Time Source	669
17.6.7. Runtime Settings Related to JMX Metrics	669
17.6.8. Runtime Settings Related to Metrics Reporting	670
17.6.9. Runtime Settings Related to Expression Evaluation	672
17.6.10. Runtime Settings Related to Execution of Statements	673
17.6.11. Runtime Settings Related to Exception Handling	676
17.6.12. Runtime Settings Related to Condition Handling	677
17.7. Passing Services or Transient Objects	677
17.7.1. Service Example	678
17.7.2. Class-for-Name	678
17.7.3. Class Loader	679
17.8. Type Names	679
17.9. Logging Configuration	680
17.9.1. Log4j Logging Configuration	681
18. Inlined Classes	683
18.1. Overview	683
18.2. Declaring a Local Class	683
18.3. Declaring a Global Class	684
18.4. Performance Notes	685
18.5. Known Limitations	685
19. Script Support	687
19.1. Overview	687
19.2. Syntax	687
19.3. Examples	688
19.4. Built-In EPL Script Attributes	689
19.5. Performance Notes	690
19.6. Additional Notes	690
20. EPL Reference: Spatial Methods and Indexes	691
20.1. Overview	691
20.2. Spatial Methods	691
20.2.1. Point-Inside-Rectangle	691
20.2.2. Rectangle-Intersects-Rectangle	692
20.3. Spatial Index - Quadtree	693
20.3.1. Overview	693
20.3.2. Declaring a Point-Region Quadtree Index	694
20.3.3. Using a Point-Region Quadtree as a Filter Index	694
20.3.4. Using a Point-Region Quadtree as an Event Index	695
20.3.5. Declaring a MX-CIF Quadtree Index	697
20.3.6. Using a MX-CIF Quadtree as a Filter Index	698
20.3.7. Using a MX-CIF Quadtree as an Event Index	699
20.4. Spatial Types, Functions and Methods from External Libraries	700

21. EPL Reference: Data Flow	703
21.1. Introduction	703
21.2. Usage	703
21.2.1. Overview	703
21.2.2. Syntax	705
21.3. Built-In Operators	710
21.3.1. BeaconSource	710
21.3.2. EPStatementSource	712
21.3.3. EventBusSink	713
21.3.4. EventBusSource	714
21.3.5. Filter	715
21.3.6. LogSink	716
21.3.7. Select	717
21.4. API	718
21.4.1. Declaring a Data Flow	718
21.4.2. Instantiating a Data Flow	719
21.4.3. Executing a Data Flow	720
21.4.4. Instantiation Options	721
21.4.5. Start Captive	722
21.4.6. Data Flow Punctuation With Markers	723
21.4.7. Exception Handling	723
21.5. Examples	723
21.6. Operator Implementation	725
21.6.1. Sample Operator Acting as Source	725
21.6.2. Sample Tokenizer Operator	727
21.6.3. Sample Aggregator Operator	728
21.6.4. Passing Operator Parameters	729
22. Integration and Extension	733
22.1. Overview	733
22.2. Single-Row Function	734
22.2.1. Using an Inlined Class to Provide a Single-Row Function	734
22.2.2. Using an Application Class to Provide a Single-Row Function	735
22.2.3. Value Cache	736
22.2.4. Single-Row Functions in Filter Predicate Expressions	737
22.2.5. Single-Row Functions Taking Events as Parameters	738
22.2.6. Single-Row Functions Returning Events	739
22.2.7. Receiving a Context Object	740
22.2.8. Exception Handling	740
22.3. Virtual Data Window	740
22.3.1. How to Use	741
22.3.2. Implementing the Forge	744
22.3.3. Implementing the Factory-Factory	745
22.3.4. Implementing the Factory	745
22.3.5. Implementing the Virtual Data Window	747

22.4. Data Window View and Derived-Value View	748
22.4.1. Implementing a View Forge	749
22.4.2. Implementing a View Factory	751
22.4.3. Implementing a View	751
22.4.4. View Contract	752
22.4.5. Configuring View Namespace and Name	753
22.4.6. Requirement for Data Window Views	753
22.4.7. Requirement for Derived-Value Views	754
22.5. Aggregation Function	754
22.5.1. Aggregation Single-Function Development	755
22.5.2. Aggregation Multi-Function Development	765
22.6. Pattern Guard	783
22.6.1. Implementing a Guard Forge	783
22.6.2. Implementing a Guard Factory	784
22.6.3. Implementing a Guard Class	785
22.6.4. Configuring Guard Namespace and Name	786
22.7. Pattern Observer	786
22.7.1. Implementing an Observer Forge	787
22.7.2. Implementing an Observer Factory	788
22.7.3. Implementing an Observer Class	789
22.7.4. Configuring Observer Namespace and Name	790
22.8. Date-Time Method	791
22.8.1. Implement the DateTimeMethodForgeFactory Interface	791
22.8.2. Implement the Static Methods	794
22.8.3. Add the Date-Time Method Extension to the Compiler Configuration	796
22.8.4. Use the new Date-Time Methods	796
22.9. Enumeration Method	797
22.9.1. Implement the EnumMethodForgeFactory Interface	797
22.9.2. Implement the EnumMethodState Interface	800
22.9.3. Implement the Static Method for Processing	801
22.9.4. Add the Enumeration Method Extension to the Compiler Configuration....	802
22.9.5. Use the new Enumeration Method	802
22.9.6. Further Information to Lambda Parameters	803
23. Examples, Tutorials, Case Studies	805
23.1. Examples Overview	805
23.2. Running the Examples	807
23.3. AutoID RFID Reader	808
23.4. Runtime Configuration	808
23.5. JMS Server Shell and Client	808
23.5.1. Overview	808
23.5.2. JMS Messages as Events	809
23.5.3. JMX for Remote Dynamic Statement Management	810
23.6. Market Data Feed Monitor	810
23.6.1. Input Events	810

23.6.2. Computing Rates per Feed	810
23.6.3. Detecting a Fall-Off	811
23.6.4. Event generator	811
23.7. OHLC Plug-In Data Window	811
23.8. Transaction 3-Event Challenge	812
23.8.1. The Events	812
23.8.2. Combined Event	812
23.8.3. Real-Time Summary Data	813
23.8.4. Find Problems	813
23.8.5. Event Generator	813
23.9. Self-Service Terminal	814
23.9.1. Events	814
23.9.2. Detecting Customer Check-In Issues	814
23.9.3. Absence of Status Events	815
23.9.4. Activity Summary Data	815
23.9.5. Sample Application for J2EE Application Server	815
23.10. Assets Moving Across Zones - An RFID Example	817
23.11. StockTicker	818
23.12. MatchMaker	818
23.13. Named Window Query	818
23.14. Sample Virtual Data Window	819
23.15. Sample Cycle Detection	819
23.16. Quality of Service	819
23.17. Trivia Geeks Club	820
24. Performance	821
24.1. Big O Notation	821
24.1.1. Big-O Complexity of Matching Events to Statements and Context Partitions	821
24.1.2. Big-O Complexity of Matching Time to Statements and Context Partitions.	823
24.1.3. Big-O Complexity of Joins, Subqueries, On-Select, On-Merge, On- Update, On-Delete	823
24.1.4. Big-O Complexity of Enumeration Methods	825
24.1.5. Big-O Complexity of Aggregation Methods	825
24.2. Performance Tips	826
24.2.1. Understand How to Tune Your Java Virtual Machine	826
24.2.2. Input and Output Bottlenecks	826
24.2.3. Threading	827
24.2.4. Select the Underlying Event Rather Than Individual Fields	831
24.2.5. Prefer Stream-Level Filtering Over Where-Clause Filtering	832
24.2.6. Reduce the Use of Arithmetic in Expressions	834
24.2.7. Remove Unnecessary Constructs	834
24.2.8. End Pattern Sub-Expressions	835
24.2.9. Consider Using EventPropertyGetter for Fast Access to Event Properties.	836
24.2.10. Consider Casting the Underlying Event	837

24.2.11. Turn Off Logging and Audit	837
24.2.12. Tune or Disable Delivery Order Guarantees	837
24.2.13. Use a Subscriber Object to Receive Events	838
24.2.14. Consider Data Flows	838
24.2.15. High-Arrival-Rate Streams and Single Statements	838
24.2.16. Subqueries Versus Joins and Where-Clause and Data Windows	840
24.2.17. Patterns and Pattern Sub-Expression Instances	841
24.2.18. Pattern Sub-Expression Instance Versus Data Window Use	843
24.2.19. The Keep-All Data Window	843
24.2.20. Statement Design for Reduced Memory Consumption - Diagnosing OutOfMemoryError	843
24.2.21. Performance, JVM, OS and Hardware	844
24.2.22. Consider Using Hints	845
24.2.23. Optimizing Stream Filter Expressions	846
24.2.24. Statement and Runtime Metric Reporting	846
24.2.25. Expression Evaluation Order and Early Exit	846
24.2.26. Large Number of Threads	847
24.2.27. Filter Evaluation Tuning	847
24.2.28. Context Partition Related Information	847
24.2.29. Prefer Constant Variables Over Non-Constant Variables	847
24.2.30. Prefer Object-Array Events	848
24.2.31. Notes on Query Planning	848
24.2.32. Query Planning Expression Analysis Hints	849
24.2.33. Query Planning Index Hints	851
24.2.34. Measuring Throughput	852
24.2.35. Do Not Create the Same or Similar Statement X Times	853
24.2.36. Comparing Single-Threaded and Multi-Threaded Performance	856
24.2.37. Incremental Versus Recomputed Aggregation for Named Window Events	856
24.2.38. When Does Memory Get Released	857
24.2.39. Measure Throughput of Non-Matches as Well as Watches	858
24.2.40. Options for When an Event Type has a Large Number of Event Properties i.e. Large Events	858
24.3. Using the Performance Kit	859
24.3.1. How to Use the Performance Kit	859
25. References	863
25.1. Reference List	863
A. Output Reference and Samples	865
A.1. Introduction and Sample Data	865
A.2. Output for Un-Aggregated and Un-Grouped Statements	867
A.2.1. No Output Rate Limiting	867
A.2.2. Output Rate Limiting - Default	868
A.2.3. Output Rate Limiting - Last	870
A.2.4. Output Rate Limiting - First	871

A.2.5. Output Rate Limiting - Snapshot	872
A.3. Output for Fully-Aggregated and Un-Grouped Statements	874
A.3.1. No Output Rate Limiting	874
A.3.2. Output Rate Limiting - Default	876
A.3.3. Output Rate Limiting - Last	877
A.3.4. Output Rate Limiting - First	878
A.3.5. Output Rate Limiting - Snapshot	880
A.4. Output for Aggregated and Un-Grouped Statements	881
A.4.1. No Output Rate Limiting	881
A.4.2. Output Rate Limiting - Default	882
A.4.3. Output Rate Limiting - Last	884
A.4.4. Output Rate Limiting - First	885
A.4.5. Output Rate Limiting - Snapshot	886
A.5. Output for Fully-Aggregated and Grouped Statements	888
A.5.1. No Output Rate Limiting	888
A.5.2. Output Rate Limiting - Default	889
A.5.3. Output Rate Limiting - All	891
A.5.4. Output Rate Limiting - Last	892
A.5.5. Output Rate Limiting - First	894
A.5.6. Output Rate Limiting - Snapshot	895
A.6. Output for Aggregated and Grouped Statements	897
A.6.1. No Output Rate Limiting	897
A.6.2. Output Rate Limiting - Default	898
A.6.3. Output Rate Limiting - All	899
A.6.4. Output Rate Limiting - Last	901
A.6.5. Output Rate Limiting - First	902
A.6.6. Output Rate Limiting - Snapshot	904
A.7. Output for Fully-Aggregated, Grouped Statements With Rollup	906
A.7.1. No Output Rate Limiting	906
A.7.2. Output Rate Limiting - Default	907
A.7.3. Output Rate Limiting - All	909
A.7.4. Output Rate Limiting - Last	911
A.7.5. Output Rate Limiting - First	912
A.7.6. Output Rate Limiting - Snapshot	914
B. Runtime Considerations for Output Rate Limiting	917
B.1. For Un-Aggregated and Un-Grouped Statements	917
B.1.1. Output Last	917
B.1.2. Output All	917
B.2. For Fully Aggregated and Un-Grouped Statements	918
B.2.1. Output Last	918
B.2.2. Output All	918
B.3. For Aggregated and Un-Grouped Statements	918
B.3.1. Output Last	918
B.3.2. Output All	919

B.4. For Fully Aggregated and Grouped Statements (Includes Rollup)	919
B.4.1. Output Last	919
B.4.2. Output All	919
B.5. For Aggregated and Grouped Statements	920
B.5.1. Output Last	920
B.5.2. Output All	920
C. Reserved Keywords	923
D. Event Representation: Plain-Old Java Object Events	929
D.1. Overview	929
D.2. Java Object Event Properties	929
D.3. Property Names	931
D.4. Parameterized Types	931
D.5. Setter Methods for Indexed and Mapped Properties	932
E. Event Representation: java.util.Map Events	935
E.1. Overview	935
E.2. Map Properties	935
E.3. Map Supertypes	937
E.4. Advanced Map Property Types	938
E.4.1. Nested Properties	938
E.4.2. One-to-Many Relationships	939
F. Event Representation: Object-Array (Object[]) Events	941
F.1. Overview	941
F.2. Object-Array Properties	941
F.3. Object-Array Supertype	943
F.4. Advanced Object-Array Property Types	943
F.4.1. Nested Properties	943
F.4.2. One-to-Many Relationships	945
G. Event Representation: JSON Events	947
G.1. Overview	947
G.2. JSON Event Type	948
G.3. JSON Object Nesting	949
G.4. JSON Supported Types	950
G.4.1. Numeric Types	952
G.4.2. Boolean Type	953
G.4.3. String Type	953
G.4.4. Map Type for Holding an Untyped JSON Object	954
G.4.5. Object-Array Type for Holding an Untyped JSON Array	955
G.4.6. Object Type for Holding an Untyped JSON Value (Any JSON Value)	956
G.5. JSON Application-Provided Class	957
G.5.1. Class with Public Fields	957
G.5.2. Application-Provided Enumeration Type	958
G.6. JSON Dynamic Event Properties	959
G.7. API for Parsing JSON Documents	961
G.8. API for Building JSON Documents	962

G.9. Customizing JSON Serializing and Deserializing	962
G.10. Customizing the JSON Event Class	964
G.11. Limitations	964
H. Event Representation: Avro Events (org.apache.avro.generic.GenericData.Record)	967
H.1. Overview	967
H.2. Avro Event Type	968
H.3. Avro Schema Name Requirement	969
H.4. Avro Field Schema to Property Type Mapping	969
H.5. Primitive Data Type and Class to Avro Schema Mapping	970
H.6. Customizing Avro Schema Assignment	975
H.7. Customizing Class-to-Avro Schema	975
H.8. Customizing Object-to-Avro Field Value Assignment	976
H.9. API Examples	976
H.10. Limitations	977
I. Event Representation: org.w3c.dom.Node XML Events	979
I.1. Overview	979
I.2. Schema-Provided XML Events	980
I.2.1. Getting Started	981
I.2.2. Property Expressions and Namespaces	982
I.2.3. Property Expression to XPath Rewrite	982
I.2.4. Array Properties	983
I.2.5. Dynamic Properties	984
I.2.6. Transposing Properties	984
I.2.7. Event Sender	985
I.2.8. Limitations	985
I.3. No-Schema-Provided XML Events	986
I.4. Explicitly-Configured Properties	986
I.4.1. Simple Explicit Property	986
I.4.2. Explicit Property Casting and Parsing	987
I.4.3. Node and Nodeset Explicit Property	987
I.5. Using XML-Schema Annotations with create xml schema	989
J. NEsper .NET -Specific Information	991
J.1. .NET General Information	991
J.2. .NET and Annotations	991
J.3. .NET and Locks and Concurrency	991
J.4. .NET and Threading	992
J.5. .NET NEsper Configuration	992
J.6. .NET Event Underlying Objects	993
J.7. .NET Object Events	993
J.8. .NET IDictionary Events	994
J.9. .NET XML Events	994
J.10. .NET Event Objects Instantiated and Populated by Insert Into	994
J.11. .NET Basic Concepts	994
J.12. .NET EPL Syntax - Data Types	994

Esper Reference

J.13. .NET Accessing Relational Data via SQL	994
J.14. .NET API - Receiving Statement Results	995
J.15. .NET API - Adding Listeners	995
J.16. .NET API - Runtime Threading and Concurrency	995
J.17. .NET Configurations - Relational Database Access	995
J.18. .NET Configurations - Logging Configuration	995
Index	997

Preface

Analyzing and reacting to information in real-time oftentimes requires the development of custom applications. Typically these applications must obtain the data to analyze, filter data, derive information and then indicate this information through some form of presentation or communication. Data may arrive with high frequency requiring high throughput processing. And applications may need to be flexible and react to changes in requirements while the data is processed. Esper is an event stream processor that aims to enable a short development cycle from inception to production for these types of applications.

This document is a resource for software developers who develop event driven applications. It also contains information that is useful for business analysts and system architects who are evaluating Esper.

It is assumed that the reader is familiar with the Java programming language.

For NEsper .NET the reader is is familiar with the C# programming language. For NEsper .NET, please also review [Appendix J, NEsper .NET -Specific Information](#).

This document is relevant in all phases of your software development project: from design to deployment and support.

If you are new to Esper, please follow these steps:

1. Read the tutorials, case studies and solution patterns available on the Esper public web site at <http://www.espertech.com/esper>
2. Read [Chapter 1, Getting Started](#) if you are new to CEP and streaming analytics
3. Read [Chapter 2, Basic Concepts](#) to gain insight into EPL basic concepts
4. Read [Chapter 3, Event Representations](#) that explains the different ways of representing events to Esper
5. Read [Section 5.1, “EPL Introduction”](#) for an introduction to event stream processing via EPL
6. Read [Section 7.1, “Event Pattern Overview”](#) for an overview over event patterns
7. Read [Section 8.1, “Overview”](#) for an overview over event patterns using the match recognize syntax.
8. Then glance over the examples [Section 23.1, “Examples Overview”](#)
9. Finally to test drive Esper performance, read [Chapter 24, Performance](#)

Chapter 1. Getting Started

1.1. Introduction to Complex Event Processing

The Esper compiler and runtime have been developed to address the requirements of applications that analyze and react to events. Some typical examples of applications are:

- Business process management and automation (process monitoring, BAM, reporting exceptions)
- Finance (algorithmic trading, fraud detection, risk management)
- Network and application monitoring (intrusion detection, SLA monitoring)
- Sensor network applications (RFID reading, scheduling and control of fabrication lines, air traffic)

What these applications have in common is the requirement to process events (or messages) in real-time or near real-time. This is sometimes referred to as complex event processing (CEP) and event series analysis. Key considerations for these types of applications are throughput, latency and the complexity of the logic required.

- High throughput - applications that process large volumes of messages (between 1,000 to 100k messages per second)
- Low latency - applications that react in real-time to conditions that occur (from a few milliseconds to a few seconds)
- Complex computations - applications that detect patterns among events (event correlation), filter events, aggregate time or length windows of events, join event series, trigger based on absence of events etc.

The EPL compiler and runtime were designed to make it easier to build and extend CEP applications.

More information on CEP can be found at [FAQ](http://www.espertech.com/esper/esper-faq#whatiscep) [http://www.espertech.com/esper/esper-faq#whatiscep].

1.2. Introduction to the Architecture

Esper is a language, a language compiler and a runtime environment.

The Esper language is the Event Processing Language (EPL). It is a declarative, data-oriented language for dealing with high frequency time-based event data. EPL is compliant to the SQL-92 standard and extended for analyzing series of events and in respect to time.

The Esper compiler compiles EPL source code into Java Virtual Machine (JVM) bytecode so that the resulting executable code runs on a JVM within the Esper runtime environment.

The Esper runtime runs on top of a JVM. You can run byte code produced by the Esper compiler using the Esper runtime.

The Esper architecture is similar to that of other programming languages that are compiled to JVM bytecode, such as Scala, Clojure and Kotlin for example. Esper EPL however is not an imperative (procedural) programming language.

1.3. Introduction to EPL

The Esper language is the Event Processing Language (EPL) designed for Complex Event Processing and Streaming Analytics.

EPL is organized into modules. Modules are compiled into byte code by the compiler. We use the term *module* for an EPL source code unit.

A module consists of statements. Statements are the declarative code for performing event and time analysis. Most statements are in the form of "select ... from ...". We use the term *statement* for each unit of declarative code that makes up a module.

Your application receives output from statements via callback or by iterating current results of a statement.

A statement can declare an EPL-object such as listed below:

- *Event types* define stream type information and are added using `create schema` or by configuration.
- *Variables* are free-form value holders and are added using `create variable` or by configuration.
- *Named windows* are sharable named data windows and are added using `create window`.
- *Tables* are sharable organized rows with columns that are simple, aggregation and complex types, and are added using `create table`.
- *Contexts* define analysis lifecycle and are added using `create context`.
- *Expressions* and *Scripts* are reusable expressions and are added using `create expression`.
- *Indexes* organize named window events and table rows for fast lookup and are added using `create index`.

Use access modifiers such as `private`, `protected` and `public` to control access to EPL-objects.

A module can optionally have a module name. The module name has a similar use as the package name or namespace name in a programming language. A module name is used to organize EPL objects and to avoid name conflicts.

When deploying a compiled module the runtime assigns a deployment id to the deployment. The deployment id uniquely identifies a given deployment of a compiled module. A compiled module can be parameterized and deployed multiple times.

A statement always has a statement name. The statement name identifies a statement within a deployed module and is unique within a deployment. The combination of deployment id and statement name uniquely identifies a statement within a runtime.

EPL is type-safe in that EPL does not allow performing an operation on an object that is invalid for that object.

1.4. Compiler Getting-Started

1.4.1. Compiler - Step One: Setting up the Compiler Classpath

Please add the Esper compiler jar file, the common jar file and the compiler dependencies to the classpath of the program that will be compiling EPL. The jar files listed here are not required for the runtime except for `esper-common-version.jar`.

- Common jar file `esper-common-version.jar`
- Compiler jar file `esper-compiler-version.jar`
- ANTLR parser jar file `antlr4-runtime-4.7.2.jar`
- SLF4J logging library `slf4j-api-1.7.26.jar`
- Janino Java compiler `janino-3.1.0.jar` and `commons-compiler-3.1.0.jar`

Optionally, for logging using Log4j, please add `slf4j-log4j12-1.7.26.jar` and `log4j-1.2.17.jar` to the classpath.

There are no additional jar files required by Esper for using Esper with JSON-formatted event documents.

Optionally, for using Apache Avro, please add `esper-common-avro-version.jar` to the classpath.

1.4.2. Compiler - Step Two: Provide Information on Input Events

Your application can register an event type to instruct the compiler what the input events look like. When compiling modules the compiler checks the available event type information to determine that the module is valid.

This example assumes that there is a Java class `PersonEvent` and each instance of the `PersonEvent` class is an event.



Tip

It is not necessary to create classes for each event type.

It is not necessary to preconfigure each event type. It is not necessary to set up a `Configuration` object.

This step-by-step keeps it simple to get you started.

Our event class for the step-by-step is:

```
package com.mycompany.myapp;

public class PersonEvent {
    private String name;
    private int age;

    public PersonEvent(String name, int age) {
        this.name = name;
        this.age = age;
    }

    public String getName() {
        return name;
    }

    public int getAge() {
        return age;
    }
}
```

The different event representations are discussed at [Section 3.5, “Comparing Event Representations”](#).

For declaring event types using EPL with `create schema`, see [Section 5.15, “Declaring an Event Type: Create Schema”](#).

1.4.3. Compiler - Step Three: Compiling EPL

Your application can obtain a compiler calling the `getCompiler` static method of the `EPCompilerProvider` class:

```
EPCompiler compiler = EPCompilerProvider.getCompiler();
```

The step-by-step provides a `Configuration` object to the compiler that adds the predefined person event:

```
Configuration configuration = new Configuration();
configuration.getCommon().addEventType(PersonEvent.class);
```


The sample module for this getting-started section simply has one statement that selects the name and the age of each arriving person event. It specifies a statement name using the `@name` annotation and assigns a name `my-statement` to the statement.

```
@name('my-statement') select name, age from PersonEvent
```

Compile a module by using the `compile` method passing the configuration as part of the compiler arguments:

```
CompilerArguments args = new CompilerArguments(configuration);

EPCompiled epCompiled;
try {
    epCompiled = compiler.compile("@name('my-statement') select name, age from
    PersonEvent", args);
}
catch (EPCompileException ex) {
    // handle exception here
    throw new RuntimeException(ex);
}
```

Upon compiling this module, the compiler verifies that `PersonEvent` exists since it is listed in the `from`-clause. The compiler also verifies that the `name` and `age` properties are available for the `PersonEvent` since they are listed in the `select`-clause. The compiler generates byte code for extracting property values and producing output events. The compiler builds internal data structures for later use by filter indexes to ensure that when a `PersonEvent` comes in it will be processed fast.

More information on the compile API can be found at [Chapter 15, Compiler Reference](#) and the JavaDoc.

1.5. Runtime Getting-Started

1.5.1. Runtime - Step One: Setting up the Runtime Classpath

Please add the Esper common jar file, the runtime jar file and the runtime dependencies to the classpath of the program that will be executing compiled modules. The runtime jar file is not required for the compiler.

- Common jar file `esper-common-version.jar`
- Runtime jar file `esper-runtime-version.jar`
- SLF4J logging library `slf4j-api-1.7.25.jar`

Optionally, for logging using Log4j, please add `slf4j-log4j12-1.7.25.jar` and `log4j-1.2.17.jar` to the classpath.

There are no additional jar files required by Esper for using Esper with JSON-formatted event documents.

Optionally, for using Apache Avro, please add `esper-common-avro-version.jar` to the classpath.

1.5.2. Runtime - Step Two: Obtain Runtime

The step-by-step provides a `Configuration` object to the runtime that adds the predefined person event:

```
Configuration configuration = new Configuration();
configuration.getCommon().addEventType(PersonEvent.class);
```



Tip

It is not necessary to preconfigure each event type. It is not necessary to set up a `Configuration` object.

For this example however since the compiler knows `PersonEvent` as a predefined type and it must this be preconfigured for the runtime as well.

Your application can obtain a runtime by calling the `getDefaultRuntime` static method of the `EPRuntimeProvider` class and passing the configuration:

```
EPRuntime runtime = EPRuntimeProvider.getDefaultRuntime(configuration);
```

More information about the runtime can be found at [Chapter 16, Runtime Reference](#) and the JavaDoc.

More information about configuration can be found at [Chapter 17, Configuration](#) and the JavaDoc.

1.5.3. Runtime - Step Three: Deploy EPL Compiled Module and Attach a Callback

Your application can deploy a compiled module using the `deploy` method of the administrative interface.

The API calls are:

```
EPDeployment deployment;
```

```
try {
    deployment = runtime.getDeploymentService().deploy(epCompiled);
}
catch (EPDeployException ex) {
    // handle exception here
    throw new RuntimeException(ex);
}
```

As part of deployment, the runtime verifies that all module dependencies, such as event types, do indeed exist. During deployment the runtime adds entries to filter indexes to ensure that when a `PersonEvent` comes in it will be processed fast.

Your application can attach a callback to the `EPStatement` to receive statement results. The following sample callback simply prints name and age:

```
EPStatement statement =
    runtime.getDeploymentService().getStatement(deployment.getDeploymentId(), "my-
statement");

statement.addListener( (newData, oldData, statement, runtime) -> {
    String name = (String) newData[0].get("name");
    int age = (int) newData[0].get("age");
    System.out.println(String.format("Name: %s, Age: %d", name, age));
});
```

Your application can provide different kinds of callbacks, see [Table 16.2, “Choices For Receiving Statement Results”](#).

1.5.4. Runtime - Step Four: Send Events

Your application can send events into the runtime using the `sendEventBean` method (or other `sendEvent` method matching your choice of event) that is part of the runtime interface:

```
runtime.getEventService().sendEventBean(new PersonEvent("Peter", 10),
    "PersonEvent");
```

The output you should see is:

```
Name: Peter, Age: 10
```

Upon sending the `PersonEvent` event object to the runtime, the runtime consults the internally-maintained shared filter index tree structure to determine if any statement is interested in `PersonEvent` events. The statement that was deployed as part of this example has `PersonEvent`

in the `from`-clause, thus the runtime delegates processing of such events to the statement. The compiled bytecode obtains the name and age properties by calling the `getName` and `getAge` methods.

1.6. Required 3rd Party Libraries

1.6.1. Common Required 3rd Party Libraries

The compiler and runtime both require the following 3rd-party libraries:

- SLF4J is a logging API that can work together with LOG4J and other logging APIs. While SLF4J is required, the LOG4J log component is not required and can be replaced with other loggers. SLF4J is licensed under Apache 2.0 license as provided in `lib/esper_3rdparties.license`.

1.6.2. Compiler - Required 3rd Party Libraries

The compiler requires the following 3rd-party libraries for compiling only (and not at runtime):

- ANTLR is the parser generator used for parsing and parse tree walking of the pattern and EPL syntax. Credit goes to Terence Parr at <http://www.antlr.org>. The ANTLR license is a BSD license and is provided in `lib/esper_3rdparties.license`. The `antlr-runtime` runtime library is required for runtime.
- Janino is a small and fast Java compiler. The compiler generates code and compiles generated code using Janino. Janino is licensed under 3-clause New BSD License as provided in `lib/esper_3rdparties.license`.

1.6.3. Runtime - Required 3rd Party Libraries

The runtime does not require any additional 3rd-party libraries.

Chapter 2. Basic Concepts

2.1. Introduction

For NEsper .NET also see [Section J.11, “.NET Basic Concepts”](#).

Statements are continuous queries that analyze events and time and that detect situations.

You interact with Esper by compiling and deploying modules that contain statements, by sending events and advancing time and by receiving output by means of callbacks or by polling for current results.

Table 2.1. Interacting With Esper

What	How
EPL	First, compile and deploy statements, please refer to Chapter 5, EPL Reference: Clauses , Chapter 15, Compiler Reference and Chapter 16, Runtime Reference .
Callbacks	Second, attach executable code that your application provides to receive output, please refer to Table 16.2, “Choices For Receiving Statement Results” .
Events	Next, send events using the runtime API, please refer to Section 16.6, “Processing Events and Time Using EPEventService” .
Time	Next, advance time using the runtime API or system time, please refer to Section 16.9, “Controlling Time-Keeping” .

The runtime contains statements like so:

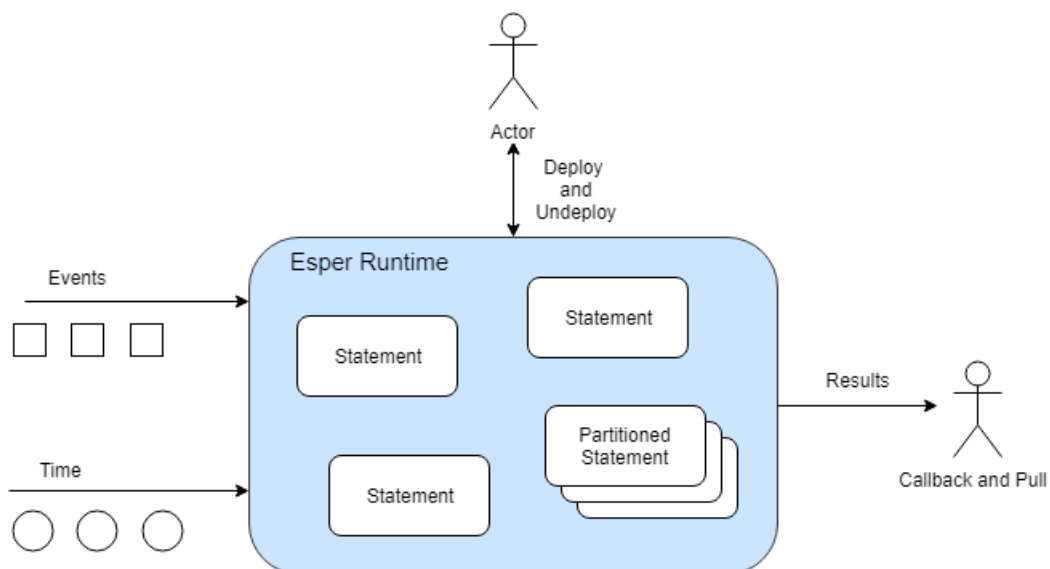


Figure 2.1. Runtime is a Statement Container

Statements can be partitioned. A partitioned statement can have multiple partitions. For example, there could be partition for each room in a building. For a building with 10 rooms you could have one statement that has 10 partitions. Please refer to [Chapter 4, Context and Context Partitions](#).

A statement that is not partitioned implicitly has one partition. Upon deploying the un-partitioned statement the runtime allocates the single partition. Upon undeploying the un-partitioned statement the runtime destroys the partition.

A partition (or *context partition*) is where the runtime keeps the state. In the picture above there are three un-partitioned statement and one partitioned statement that has three partitions.

The next sections discuss various easily-understood statements. The sections illustrate how statements behave, the information that the runtime passes to callbacks (the output) and what information the runtime remembers for statements (the *state*, all state lives in a partition). The sample statements assume an event type by name `Withdrawal` that has `account` and `amount` properties.

2.2. Basic Select

This statement selects all `Withdrawal` events.

```
select * from Withdrawal
```

Upon a new `Withdrawal` event arriving, the runtime passes the arriving event, unchanged and the same object reference, to callbacks. After that the runtime effectively forgets the current event.

The diagram below shows a series of `Withdrawal` events (1 to 6) arriving over time. In the picture the w_n stands for a specific `Withdrawal` event arriving. The number in parenthesis is the withdrawal amount.

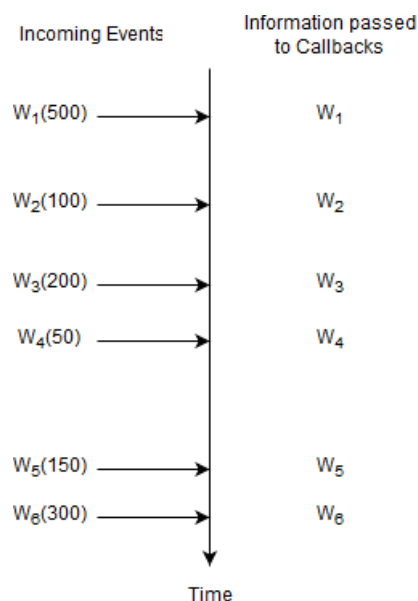


Figure 2.2. EPL Select Example Input and Output Flow

For this statement, the runtime remembers no information and does not remember any events. A statement where the runtime does not need to remember any information at all is a statement without state (a *stateless* statement).

The term *insert stream* is a name for the stream of new events that are arriving. The insert stream in this example is the stream of arriving Withdrawal events.

2.3. Basic Aggregation

An aggregation function is a function that groups multiple events together to form a single value. Please find more information at [Section 10.2, "Aggregation Functions"](#).

This statement selects a count and a total amount of all Withdrawal events.

```
select count(*), sum(amount) from Withdrawal
```

Upon a new `Withdrawal` event arriving, the runtime increments the count and adds the amount to a running total. It passes the new count and total to callbacks. After that the runtime effectively forgets the current event and does not remember any events at all, but does remember the current count and total.

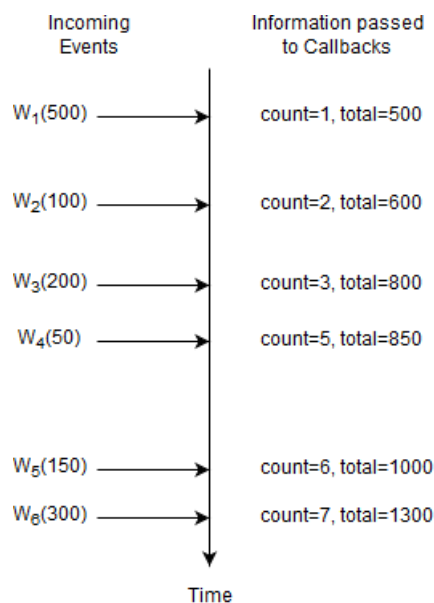


Figure 2.3. EPL Select Example Input and Output Flow

Here, the runtime only remembers the current number of events and the total amount. The count is a single long-type value and the total is a single double-type value (assuming `amount` is a double-value, the total can be `BigDecimal` as applicable). This statement is not stateless and the state consists of a long-typed value and a double-typed value.

Upon a new `Withdrawal` event arriving, the runtime increases the count by one and adds the amount to the running total. the runtime does not re-compute the count and total because it does not remember events. In general, the runtime does not re-compute aggregations (unless otherwise indicated). Instead, the runtime adds (increments, enters, accumulates) data to aggregation state and subtracts (decrements, removes, reduces, decreases) from aggregation state.

2.4. Basic Filter

Place filter expressions in parenthesis after the event type name. For further information see [Section 5.4.1, “Filter-Based Event Streams”](#).

This statement selects `Withdrawal` events that have an amount of 200 or higher:

```
select * from Withdrawal(amount >= 200)
```

Upon a new `Withdrawal` event with an amount of 200 or higher arriving, the runtime passes the arriving event to callbacks.

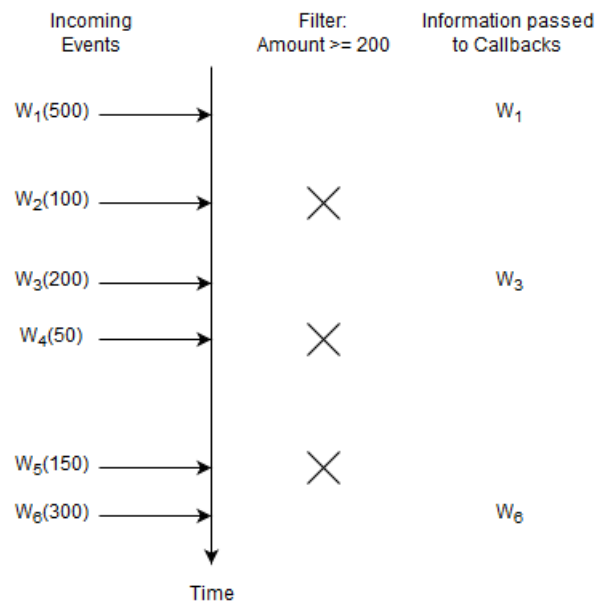


Figure 2.4. EPL Filter Example Input and Output Flow

For this statement, the runtime remembers no information and does not remember any events.

You may ask what happens for `withdrawal` events with an amount of less than 200. The answer is that the statement itself does not even see such events. This is because the runtime knows to discard such events right away and the statement does not even know about such events. The runtime discards unneeded events very fast enabled by statement analysis, planning and suitable data structures.

2.5. Basic Filter and Aggregation

This statement selects the count and the total amount for `withdrawal` events that have an amount of 200 or higher:

```
select count(*), sum(amount) from Withdrawal(amount >= 200)
```

Upon a new `withdrawal` event with an amount of 200 or higher arriving, the runtime increments the count and adds the amount to the running total. The runtime passes the count and total to callbacks.

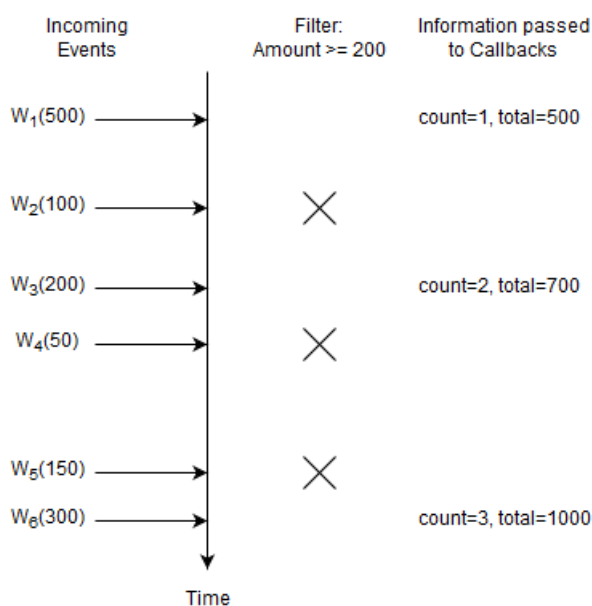


Figure 2.5. EPL Filter and Aggregation Example Input and Output Flow

In this example the runtime only remembers the count and total and again does not remember events. The runtime discards `Withdrawal` events with an amount of less than 200.

2.6. Basic Data Window

A *data window*, or *window* for short, retains events for the purpose of aggregation, join, match-recognize patterns, subqueries, iterating via API and output-snapshot. A data window defines which subset of events to retain. For example, a length window keeps the last N events and a time window keeps the last N seconds of events. See [Chapter 14, EPL Reference: Data Windows](#) for details.

This statement selects all `Withdrawal` events and instructs the runtime to remember the last five events.

```
select * from Withdrawal#length(5)
```

Upon a new `Withdrawal` event arriving, the runtime adds the event to the length window. It also passes the same event to callbacks.

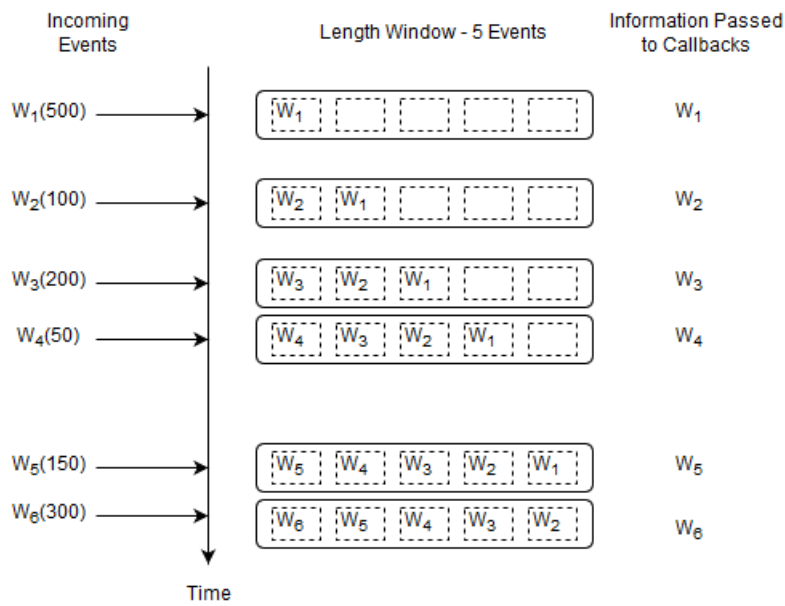


Figure 2.6. EPL Basic Data Window Example Input and Output Flow

Upon arrival of event W_6 , event W_1 leaves the length window. We use the term *expires* to say that an event leaves a data window. We use the term *remove stream* to describe the stream of events leaving a data window.

The runtime remembers up to five events in total (the last five events). At the start of the statement the data window is empty. By itself, keeping the last five events may not sound useful. But in connection with a join, subquery or match-recognize pattern for example a data window tells the runtime which events you want to query.



Note

By default the runtime only delivers the insert stream to listeners and observers. EPL supports optional `istream`, `irstream` and `rstream` keywords for select- and insert-into clauses to control which streams to deliver, see [Section 5.3.7, "Selecting Insert and Remove Stream Events"](#).

2.7. Basic Data Window and Aggregation

This statement outputs the count and total of the last five `Withdrawal` events.

```
select count(*), sum(amount) from Withdrawal#length(5)
```

Upon a new `Withdrawal` event arriving, the runtime adds the event to the length window, increases the count by one and adds the amount to the current total amount. Upon a `Withdrawal`

event leaving the data window, the runtime decreases the count by one and subtracts its amount from the current total amount. It passes the running count and total to callbacks.

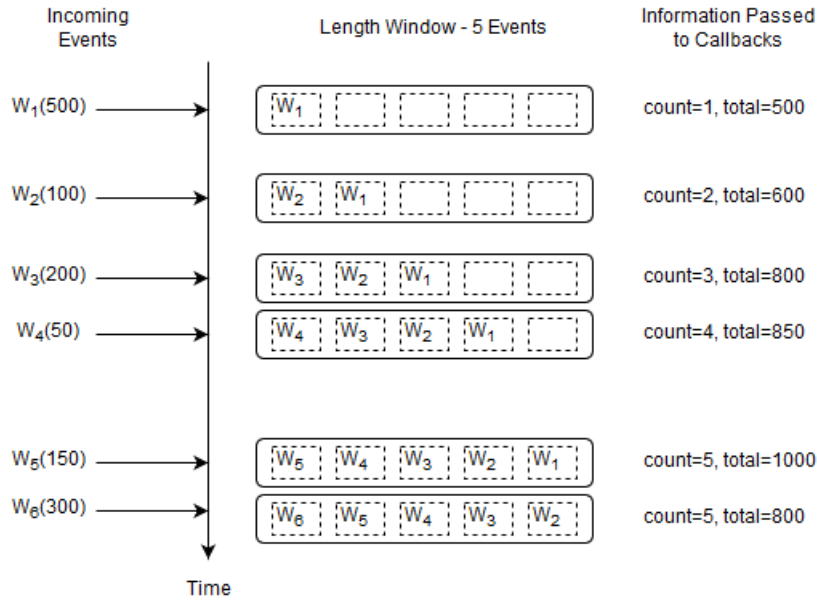


Figure 2.7. EPL Basic Data Window and Aggregation Example Input and Output Flow

Before the arrival of event W₆ the current count is five and the running total amount is 1000. Upon arrival of event W₆ the following takes place:

1. The runtime determines that event W₁ leaves the length window.
2. To account for the new event W₆, the runtime increases the count by one and adds 300 to the running total amount.
3. To account for the expiring event W₁, the runtime decreases the count by one and subtracts 500 from the running total amount.
4. The output is a count of five and a total of 800 as a result of $1000 + 300 - 500$.

The runtime adds (increments, enters, accumulates) insert stream events into aggregation state and subtracts (decrements, removes, reduces, decreases) remove stream events from aggregation state. It thus maintains aggregation state in an incremental fashion.

For this statement, once the count reaches 5, the count will always remain at 5.

The information that the runtime remembers for this statement is the last five events and the current long-typed count and double-typed total.



Tip

Use the `irstream` keyword to receive both the current as well as the previous aggregation value for aggregating statements.

2.8. Basic Filter, Data Window and Aggregation

The following statement outputs the count and total of the last five `Withdrawal` events considering only those `Withdrawal` events that have an amount of at least 200:

```
select count(*), sum(amount) from Withdrawal(amount >= 200) #length(5)
```

Upon a new `Withdrawal` event arriving, and only if that `Withdrawal` event has an amount of 200 or more, the runtime adds the event to the length window, increases the count by one and adds the amount to the current total amount. Upon a `Withdrawal` event leaving the data window, the runtime decreases the count by one and subtracts its amount from the current total amount. It passes the running count and total to callbacks.

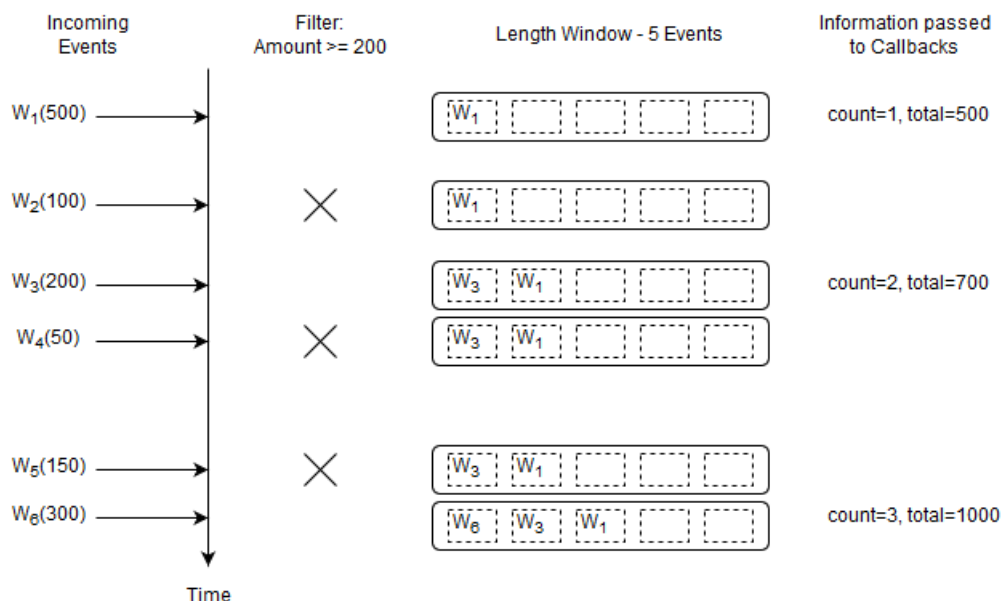


Figure 2.8. EPL Basic Filter, Data Window and Aggregation Example Input and Output Flow

2.9. Basic Where-Clause

For statements without a data window, the where-clause behaves the same as the filter expressions that are placed in parenthesis.

Chapter 2. Basic Concepts

The following two statements are fully equivalent because of the absence of a data window (the means any select-clause expressions):

```
select .... from Withdrawal(amount > 200)
// equivalent to
select .... from Withdrawal where amount > 200
```



Note

In EPL, the where-clause is typically used for correlation in a join or subquery. Filter expressions should be placed right after the event type name in parenthesis.

The next statement applies a where-clause to Withdrawal events. Where-clauses are discussed in more detail in [Section 5.5, “Specifying Search Conditions: The Where Clause”](#).

```
select * from Withdrawal#length(5) where amount >= 200
```

The where-clause applies to both new events and expiring events. Only events that pass the where-clause are passed to callbacks.

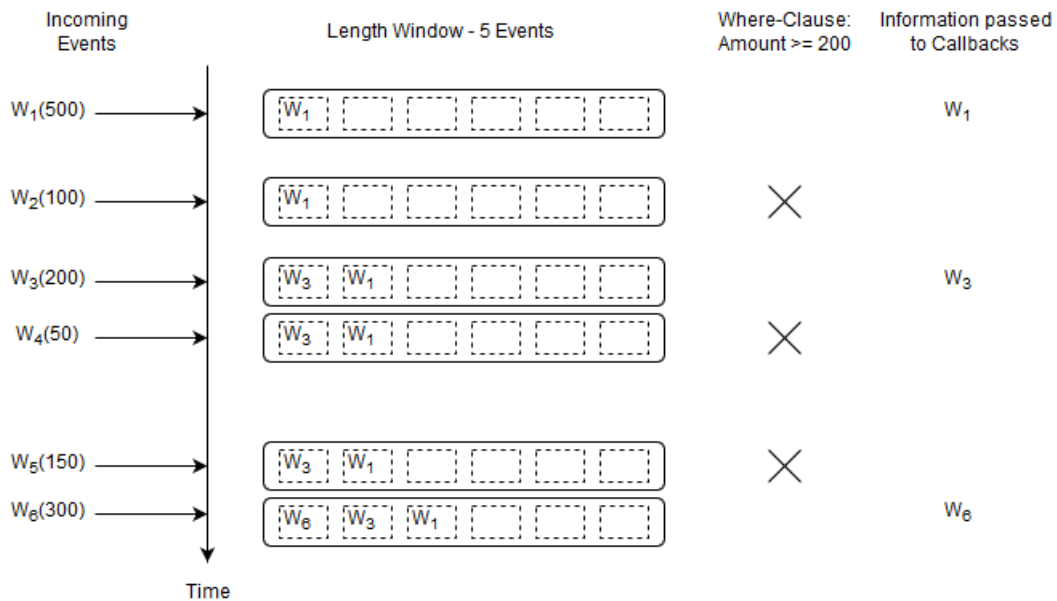


Figure 2.9. EPL Basic Where-Clause Example Input and Output Flow

2.10. Basic Time Window and Aggregation

A time window is a data window that extends the specified time interval into the past. More information on time windows can be found at [Section 14.3.3, "Time Window \(time or win:time\)"](#).

The next statement selects the count and total amount of `Withdrawal` events considering the last four seconds of events.

```
select count(*), sum(amount) as total from Withdrawal#time(4)
```

The diagram starts at a given time t and displays the contents of the time window at $t + 4$ and $t + 5$ seconds and so on.

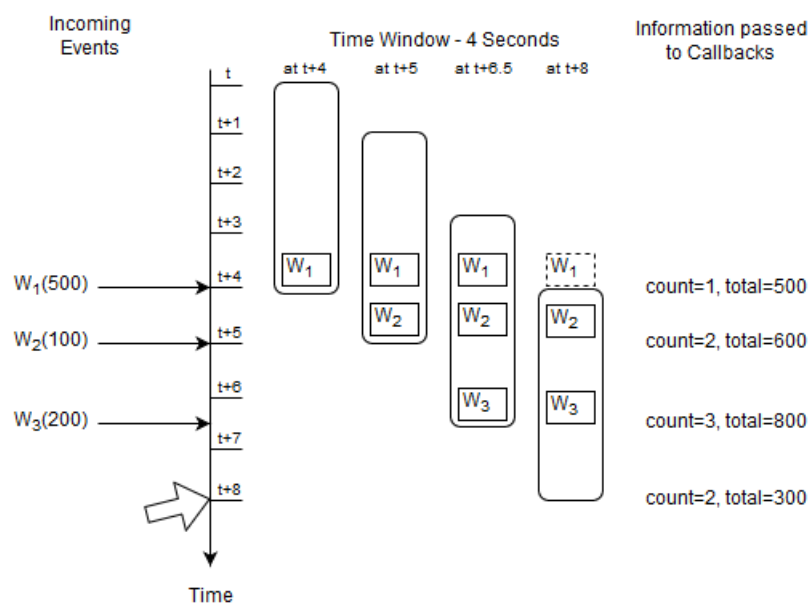


Figure 2.10. EPL Basic Time Window Example Input and Output Flow

The activity as illustrated by the diagram:

1. At time $t + 4$ seconds an event w_1 arrives and the output is a count of one and a total of 500.
2. At time $t + 5$ seconds an event w_2 arrives and the output is a count of two and a total of 600.
3. At time $t + 6.5$ seconds an event w_3 arrives and the output is a count of three and a total of 800.
4. At time $t + 8$ seconds event w_1 expires and the output is a count of two and a total of 300.

For this statement the runtime remembers the last four seconds of `Withdrawal` events as well as the long-typed count and the double-typed total amount.



Tip

Time can have a millisecond or microsecond resolution.

2.11. Basic Partitioned Statement

The statements discussed so far are not partitioned. A statement that is not partitioned implicitly has one partition. Upon deploying the un-partitioned statement the runtime allocates the single partition and it destroys the partition when your application undeploys the statement.

A partitioned statement is handy for batch processing, sessions, resetting and start/stop of your analysis. For partitioned statements you must specify a context. A context defines how partitions are allocated and destroyed. Additional information about partitioned statements and contexts can be found at [Chapter 4, Context and Context Partitions](#).

We shall have a single partition that starts immediately and ends after four seconds:

```
create context Batch4Seconds start @now end after 4 sec
```

The next statement selects the count and total amount of `Withdrawal` events that arrived since the last reset (resets are at t , $t+4$, $t+8$ as so on), resetting each four seconds:

```
context Batch4Seconds select count(*), total(amount) from Withdrawal
```

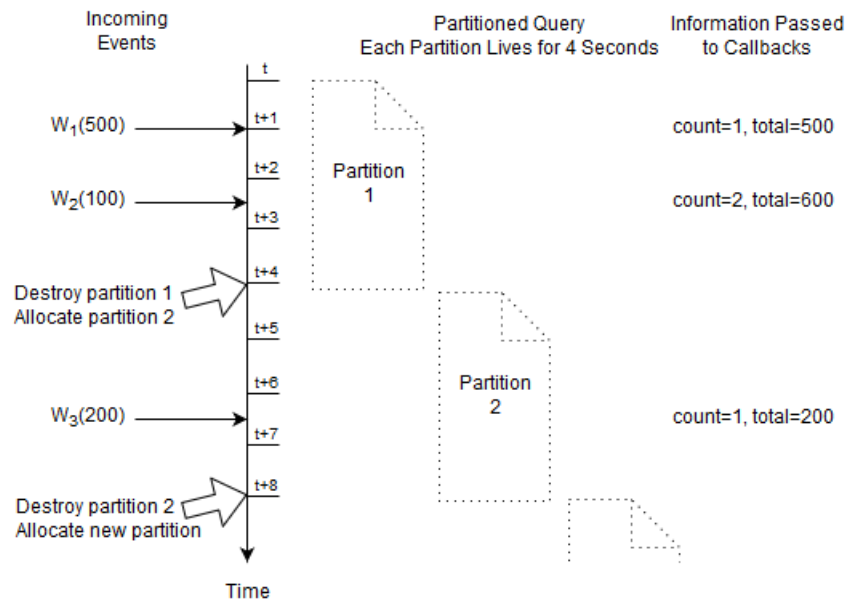



Figure 2.11. EPL Basic Partitioned Statement Example Input and Output Flow

At time $t + 4$ seconds and $t + 8$ seconds the runtime destroys the current partition. This discards the current count and running total. The runtime immediately allocates a new partition and the count and total start fresh at zero.

For this statement the runtime only remembers the count and running total, and the fact how long a partition lives.

2.12. Basic Output-Rate-Limited Statement

All the previous statements had continuous output. In other words, in each of previous statements output occurred as a result of a new event arriving. Use output rate limiting to output when a condition occurs, as described in [Section 5.7, "Stabilizing and Controlling Output: The Output Clause"](#).

The next statement outputs the last count and total of all `Withdrawal` events every four seconds:

```
select count(*), total(amount) from Withdrawal output last every 4 seconds
```

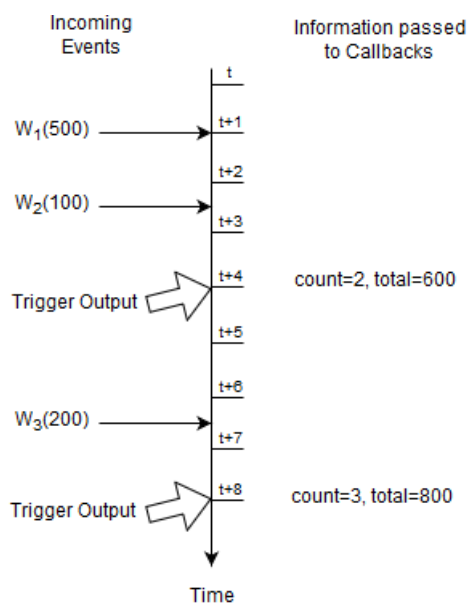


Figure 2.12. Basic Output-Rate-Limited Statement Example Input and Output Flow

At time $t + 4$ seconds and $t + 8$ seconds the runtime outputs the last aggregation values to callbacks.

For this statement the runtime only remembers the count and running total, and the fact when output shall occur.

2.13. Basic Partitioned and Output-Rate-Limited Statement

Use a partitioned statement with output rate limiting to output-and-reset. This allows you to form batches, analyze a batch and then forget all such state in respect to that batch, continuing with the next batch.

The next statement selects the count and total amount of `Withdrawal` events that arrived within the last four seconds at the end of four seconds, resetting after output:

```
create context Batch4Seconds start @now end after 4 sec
```

```
context Batch4Seconds select count(*), total(amount) from Withdrawal output last when terminated
```

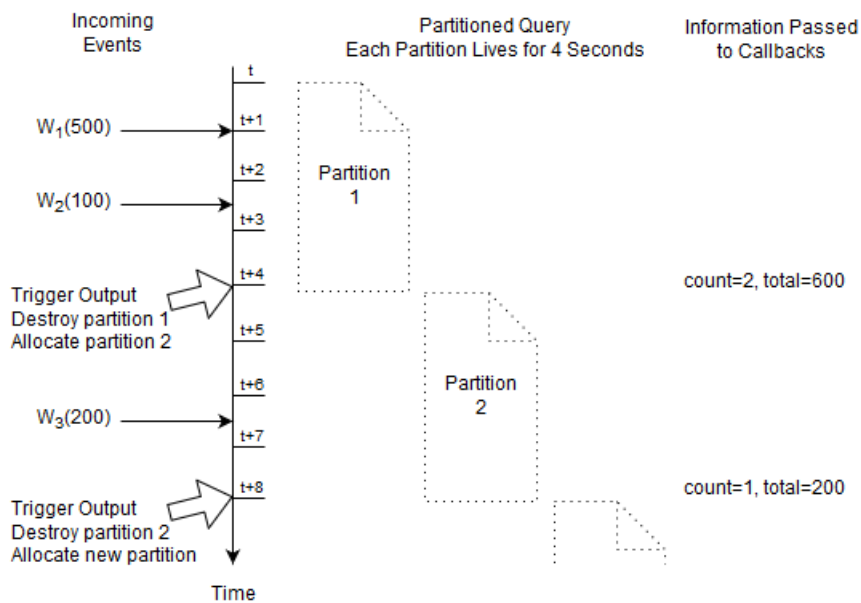


Figure 2.13. Basic Partitioned and Output-Rate-Limited Statement Example Input and Output Flow

At time $t + 4$ seconds and $t + 8$ seconds the runtime outputs the last aggregation values to callbacks, and resets the current count and total.

For this statement the runtime only remembers the count and running total, and the fact when the output shall occur and how long a partition lives.

2.14. Basic Named Windows and Tables

Named windows manage a subset of events for use by other statements. They can be selected-from, inserted- into, deleted-from and updated by multiple statements.

Tables are similar to named windows but are organized by primary keys and hold rows and columns. Tables can share aggregation state while named windows only share the subset of events they manage.

The documentation link for both is [Chapter 6, EPL Reference: Named Windows and Tables](#). Named windows and tables can be queried with fire-and-forget queries through the API and also the inward-facing JDBC driver.

2.14.1. Named Windows

Named windows declare a window for holding events, and other statements that have the named window name in the `from`-clause implicitly aggregate or analyze the same set of events. This removes the need to declare the same window multiple times for different EPL statements.

The below drawing explains how named windows work.

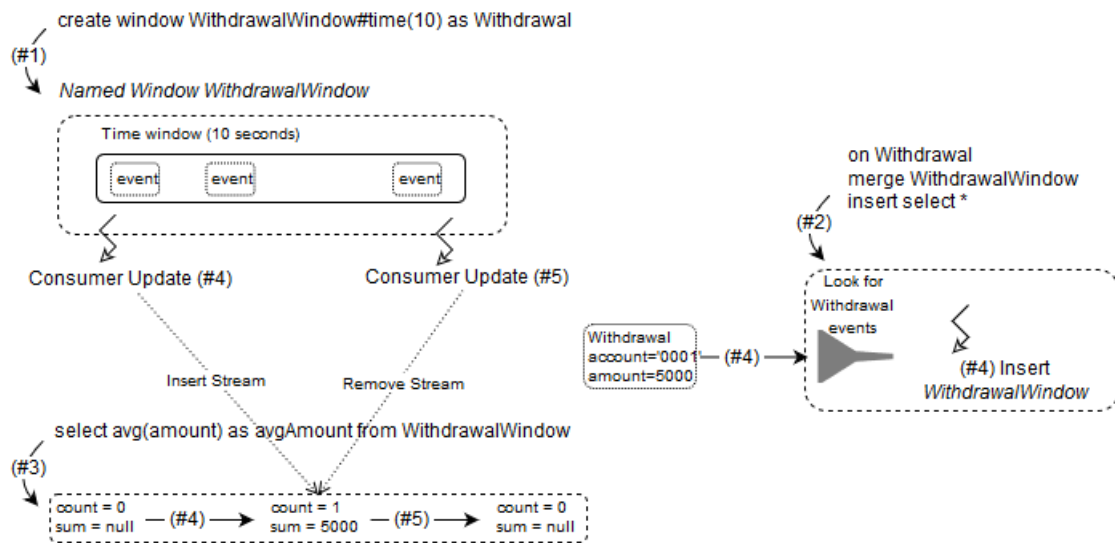


Figure 2.14. Named Window Mechanics

The step #1 creates a named window like so:

```
create window WithdrawalWindow#time(10) as Withdrawal
```

The name of the named window is `WithdrawalWindow` and it will be holding the last 10 seconds of `Withdrawal` events (`#time(10) as Withdrawal`).

As a result of step #1 the runtime allocates a named window to hold 10 seconds of `Withdrawal` events. In the drawing the named window is filled with some events. Normally a named window starts out as an empty window however it looks nicer with some boxes already inside.

The step #2 creates an EPL statement to insert into the named window:

```
on Withdrawal merge WithdrawalWindow insert select *
```

This tells the runtime that on arrival of a `Withdrawal` event it must merge with the `WithdrawalWindow` and insert the event. The runtime now waits for `Withdrawal` events to arrive.

The step #3 creates an EPL statement that computes the average withdrawal amount of the subset of events as controlled by the named window:

```
select avg(amount) as avgAmount from WithdrawalWindow
```

As a result of step #3 the runtime allocates state to keep a current average. The state consists of a `count` field and a `sum` field to compute a running average. It determines that the named window

is currently empty and sets the `count` to zero and the `sum` to null (if the named window was filled already it would determine the `count` and `sum` by iterating). Internally, it also registers a consumer callback with the named window to receive inserted and removed events (the insert and remove stream). The callbacks are shown in the drawing as a dotted line.

In step #4 assume a `Withdrawal` event arrives that has an account number of `0001` and an amount of `5000`. The runtime executes the `on Withdrawal merge WithdrawalWindow insert select *` and thus adds the event to the time window. The runtime invokes the insert stream callback for all consumers (dotted line, internally managed callback). The consumer that computes the average amount receives the callback and the newly-inserted event. It increases the `count` field by one and increases the `sum` field by `5000`. The output of the statement is `avgAmount` as `5000`.

In step #5, which occurs 10 seconds after step #4, the `Withdrawal` event for account `0001` and amount `5000` leaves the time window. The runtime invokes the remove stream callback for all consumers (dotted line, internally managed callback). The consumer that computes the average amount receives the callback and the newly-removed event. It decreases the `count` field by one and sets the `sum` to `null` and the `count` is zero. The output of the statement is `avgAmount` as `null`.

2.14.2. Tables

Tables in EPL are not just holders of values of some type. EPL tables are also holders for aggregation state. Aggregations in EPL can be simple aggregations, such as count or average or standard deviation, but can also be much richer aggregations. Examples of richer aggregations are list of events (`window` and `sorted` aggregation) or a count-min-sketch (a set of hash tables that store approximations). Your application can easily extend and provide its own aggregations.

As table columns can serve as holders for aggregation state, they are a central place for updating and accessing aggregation state to be shared between statements. The below drawing explains how tables work with aggregation state.

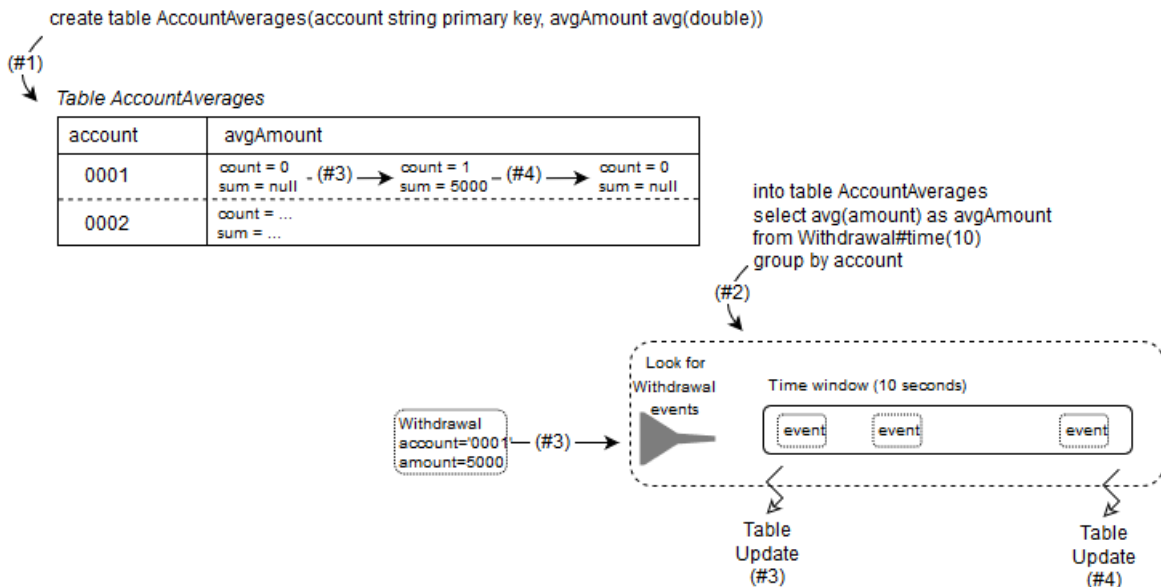


Figure 2.15. Table Into-Table Aggregation

The **step #1** creates a table like so:

```
create table AccountAverages(account string primary key, avgAmount avg(double))
```

The table that has `string`-typed account number as the primary key. The table also has a column that contains an average of `double`-type values. Note how `create table` does not need to know how the average gets updated, it only needs to know that the average is an average of `double`-type values.

As a result of step #1 the runtime allocates a table. In the drawing the table is filled with two rows for two different account numbers 0001 and 0002. Normally a table starts out as an empty table but let's assume the table has rows already.

In order to store an average of `double`-type values, the runtime must keep a count and a sum. Therefore in the `avgAmount` column of the table there are fields for `count` and `sum`. For account 0001 let's say there are currently no values and the `count` is zero and the `sum` is `null`.

The **step #2** creates an EPL statement that aggregates the last 10 seconds of Withdrawal events:

```
into table AccountAverages
select avg(amount) as avgAmount
from Withdrawal#time(10)
group by account
```

The `into table` tells the compiler to store aggregations not locally as part of the statement, but into the `AccountAverages` table instead. The `as avgAmount` tells the compiler to use the column `avgAmount` in the table. The compiler checks that aggregation type and value types match with the table column, and that the `group by`-clause matches the table primary key.

The runtime looks for `Withdrawal` events and keeps a 10-second time window. Normally a time window starts out as an empty time window but the drawing shows a few events in the time window.

In step #3 assume a `Withdrawal` event arrives that has an account number of 0001 and an amount of 5000. The runtime adds the event to the time window. The runtime updates the `avgAmount` column of the table specifically the two fields `count` and `sum`. It increases the `count` field by one and increases the `sum` field by 5000. In the case when a row for the account number does not exist, the runtime allocates a table row and its columns and aggregation fields.

In step #4, which occurs 10 seconds after step #3, the `Withdrawal` event for account 0001 and amount 5000 leaves the time window. The runtime updates the `avgAmount` column of the table. It decreases the `count` field by one and sets the `sum` to `null` as the `count` is zero.

Other EPL statements may access table columns by putting the table into a `from`-clause, or by table-access-expression, on-action statement or fire-and-forget query.

2.15. Basic Aggregated Statement Types

The expressions in the select-clause, the use of aggregation functions and the group-by-clause are relevant to statement design. The overview herein is especially relevant to joins, on-trigger, output-rate-limiting and batch data windows.

- If your statement only selects aggregation values, the runtime outputs one row (or zero rows in a join).
- Without a group-by clause, if your statement selects non-aggregated values along with aggregation values, the runtime outputs a row per event.
- With a group-by clause, if your statement selects non-aggregated values that are all in the group-by-clause, the runtime outputs a row per group.
- With a group-by clause, if your statement selects non-aggregated values and not all non-aggregated values are in the group-by-clause, the runtime outputs a row per event.

EPL allows each aggregation function to specify its own grouping criteria. Please find further information in [Section 5.6.4, “Specifying Grouping for Each Aggregation Function”](#). The documentation provides output examples for statement types in [Appendix A, Output Reference and Samples](#), and the next sections outlines each statement type.

The examples below assume `BankInformationWindow` is a named window defined elsewhere. The examples use a join to illustrate. Joins are further described in [Section 5.12, “Joining Event Streams”](#).

2.15.1. Un-Aggregated and Un-Grouped

An example statement for the un-aggregated and un-grouped case is as follows:

```
select * from Withdrawal unidirectional, BankInformationWindow
```

Upon a `Withdrawal` event coming in, the number of output rows is the number of rows in the `BankInformationWindow`.

The appendix provides a complete example including input and output events over time at [Section A.2, “Output for Un-Aggregated and Un-Grouped Statements”](#).

2.15.2. Fully Aggregated and Un-Grouped

If your statement only selects aggregation values and does not group, your statement may look as the example below:

```
select sum(amount)
from Withdrawal unidirectional, BankInformationWindow
```

Upon a `Withdrawal` event coming in, the number of output rows is always zero or one.

The appendix provides a complete example including input and output events over time at [Section A.3, “Output for Fully-Aggregated and Un-Grouped Statements”](#).

If any aggregation functions specify the `group_by` parameter and a dimension, for example `sum(amount, group_by:account)`, the statement executes as an aggregated and grouped statement instead.

2.15.3. Aggregated and Un-Grouped

If your statement selects non-aggregated properties and aggregation values, and does not group, your statement may be similar to this statement:

```
select account, sum(amount)
from Withdrawal unidirectional, BankInformationWindow
```

Upon a `Withdrawal` event coming in, the number of output rows is the number of rows in the `BankInformationWindow`.

The appendix provides a complete example including input and output events over time at [Section A.4, “Output for Aggregated and Un-Grouped Statements”](#).

2.15.4. Fully Aggregated and Grouped

If your statement selects aggregation values and all non-aggregated properties in the `select` clause are listed in the `group by` clause, then your statement may look similar to this example:

```
select account, sum(amount)
from Withdrawal unidirectional, BankInformationWindow
group by account
```

Upon a `Withdrawal` event coming in, the number of output rows is one row per unique account number.

The appendix provides a complete example including input and output events over time at [Section A.5, “Output for Fully-Aggregated and Grouped Statements”](#).

If any aggregation functions specify the `group_by` parameter and a dimension other than `group by` dimension(s), for example `sum(amount, group_by:accountCategory)`, the statement executes as an aggregated and grouped statement instead.

2.15.5. Aggregated and Grouped

If your statement selects non-aggregated properties and aggregation values, and groups only some properties using the `group by` clause, your statement may look as below:


```
select account, accountName, sum(amount)
from Withdrawal unidirectional, BankInformationWindow
group by account
```

Upon a `Withdrawal` event coming in, the number of output rows is the number of rows in the `BankInformationWindow`.

The appendix provides a complete example including input and output events over time at [Section A.6, “Output for Aggregated and Grouped Statements”](#).

2.16. Basic Match-Recognize Patterns

EPL offers the standardized match-recognize syntax for finding patterns among events. A match-recognize pattern is very similar to a regular-expression pattern.

The below statement is a sample match-recognize pattern. It detects a pattern that may be present in the events held by the named window as declared above. It looks for two immediately-followed events, i.e. with no events in-between for the same origin. The first of the two events must have high priority and the second of the two events must have medium priority.

```
select * from AlertNamedWindow
  match_recognize (
    partition by origin
    measures a1.origin as origin, a1.alarmNumber as alarmNumber1, a2.alarmNumber
    as alarmNumber2
    pattern (a1 a2)
    define
      a1 as a1.priority = 'high',
      a2 as a2.priority = 'medium'
  )
```

2.17. Basic EPL Patterns

The EPL pattern language is a versatile and expressive syntax for finding time and property relationships between events of many streams.

Event patterns match when an event or multiple events occur that match the pattern's definition, in a bottom-up fashion. Pattern expressions can consist of filter expressions combined with pattern operators. Expressions can contain further nested pattern expressions by including the nested expression(s) in parenthesis.

There are five types of operators:

1. Operators that control pattern finder creation and termination: `every`
2. Logical operators: `and`, `or`, `not`

3. Temporal operators that operate on event order: `->` (the followed-by operator)
4. Guards are where-conditions that cause termination of pattern subexpressions, such as `timer:within`
5. Observers that observe time events, such as `timer:interval` (an interval observer), `timer:at` (a crontab-like observer)

A sample pattern that alerts on each IBM stock tick with a price greater than 80 and within the next 60 seconds:

```
every StockTickEvent(symbol="IBM", price>80) where timer:within(60 seconds)
```

A sample pattern that alerts every five minutes past the hour:

```
every timer:at(5, *, *, *, *)
```

A sample pattern that alerts when event A occurs, followed by either event B or event C:

```
A -> ( B or C )
```

A pattern where a property of a following event must match a property from the first event:

```
every a=EventX -> every b=EventY(objectID=a.objectID)
```

2.18. Basic Indexes

2.18.1. Index Kinds

The compiler and runtime, depending on the statements, plan, build and maintain two kinds of indexes: filter indexes and event indexes.

The runtime builds and maintains indexes for efficiency so as to achieve good performance.

The following table compares the two kinds of indexes:

Table 2.2. Kinds of Indexes

		Filter Indexes	Event Indexes
Improve the speed of	the	Matching incoming events to currently-active filters that shall process the event	Lookup of rows

	Filter Indexes	Event Indexes
Similar to	A structured registry of callbacks; or content-based routing	Database index
Index stores values of	Values provided by expressions	Values for certain column(s)
Index points to	Currently-active filters	Rows
Comparable to	A sieve or a switchboard	An index in a book

2.18.2. Filter Indexes

Filter indexes organize filters so that they can be searched efficiently. Filter indexes link back to the statement and partition that the filter(s) come from.

We use the term *filter* or *filter criteria* to mean the selection predicate, such as `symbol="google"` and `price > 200` and `volume > 111000`. Statements provide filter criteria in the `from`-clause, and/or in EPL patterns and/or in context declarations. Please see [Section 5.4.1, "Filter-Based Event Streams"](#), [Section 7.4, "Filter Expressions in Patterns"](#) and [Section 4.2.7.1, "Filter Context Condition"](#).

Filter index building is a result of the compiler analyzing the filter expressions as described in [Section 15.18, "Compiler Filter Expression Analysis"](#). The runtime uses the compiler output to build, maintain and use filter indexes.

Big-O notation scaling information can be found at [Section 24.1.1, "Big-O Complexity of Matching Events to Statements and Context Partitions"](#).

When the runtime receives an event, it consults the filter indexes to determine which statements, if any, must process the event.

The purpose of filter indexes is to enable:

- Efficient matching of events to only those statements that need them.
- Efficient discarding of events that are not needed by any statement.
- Efficient evaluation with best case approximately $O(1)$ to $O(\log n)$ i.e. in the best case executes in approximately the same time regardless of the size of the input data set which is the number of active filters.

The runtime builds and maintains separate sets of filter indexes per event type, when such event type occurs in the `from`-clause or pattern. Filter indexes are sharable within the same event type filter. Thus various `from`-clauses and patterns that refer for the same event type can contribute to the same set of filter indexes.

The runtime builds filter indexes in a nested fashion: Filter indexes may contain further filter indexes, forming a tree-like structure, a filter index tree. The nesting of indexes is beyond the introductory discussion provided here.

2.18.2.1. Filter Index Multi-Statement Example

The `from`-clause in a statement and, in special cases, also the `where`-clause provide filter criteria that the compiler analyzes and for which it builds filter indexes.

For example, assume the `WithdrawalEvent` has an `account` field. You could create three statements like so:

```
@name('A') select * from WithdrawalEvent(account = 1)
```

```
@name('B') select * from WithdrawalEvent(account = 1)
```

```
@name('C') select * from WithdrawalEvent(account = 2)
```

In this example, both statement A and statement B register interest in `WithdrawalEvent` events that have an `account` value of 1. Statement C registers interest in `WithdrawalEvent` events that have an `account` value of 2.

The below table is a sample filter index for the three statements:

Table 2.3. Sample Filter Index Multi-Statement Example

Value of <code>account</code>	Filter
1	Statement A, Statement B
2	Statement C

When a `Withdrawal` event arrives, the runtime extracts the `account` and performs a lookup into above table. If there are no matching rows in the table, for example when the `account` is 3, the runtime knows that there is no further processing for the event.

For filter index planning, we use the term *lookupable-expression* to mean the expression providing the filter index lookup value. In this example there is only one lookupable-expression and that is `account`. We use the term *value-expression* to mean the expression providing the indexed value. Here there are three value-expressions namely 1 (from statement A), 1 (from statement B) and 2 (from statement C). We use the term *filter-index-operator* to mean the type of index such as equals(=), relational (<,>,<=, >=) etc..

2.18.2.2. Filter Index Pattern Example

As part of a pattern you may specify event types and filter criteria. The compiler analyzes patterns and determines filter criteria for filter index building.

Consider the following example pattern that fires for each `WithdrawalEvent` that is followed by another `WithdrawalEvent` for the same `account` value:

```
@name('P') select * from pattern [every w1=WithdrawalEvent ->
w2=WithdrawalEvent(account = w.account)]
```

Upon creating the above statement, the runtime starts looking for `WithdrawalEvent` events. At this time there is only one active filter:

- A filter looking for `WithdrawalEvent` events regardless of `account` id.

Assume a `WithdrawalEvent` W_a for `account` 1 arrives. The runtime then activates a filter looking for another `WithdrawalEvent` for `account` 1. At this time there are two active filters:

- A filter looking for `WithdrawalEvent` events regardless of `account` id.
- A filter looking for `WithdrawalEvent(account=1)` associated to $w1=W_a$.

Assume another `WithdrawalEvent` W_b for `account` 1 arrives. The runtime then activates a filter looking for another `WithdrawalEvent` for `account` 1. At this time there are three active filters:

- A filter looking for `WithdrawalEvent` events regardless of `account` id.
- A filter looking for `WithdrawalEvent(account=1)` associated to $w1=W_a$.
- A filter looking for `WithdrawalEvent(account=1)` associated to $w2=W_b$.

Assume another `WithdrawalEvent` W_c for `account` 2 arrives. The runtime then activates a filter looking for another `WithdrawalEvent` for `account` 2. At this time there are four active filters:

- A filter looking for `WithdrawalEvent` events regardless of `account` id.
- A filter looking for `WithdrawalEvent(account=1)` associated to $w1=W_a$.
- A filter looking for `WithdrawalEvent(account=1)` associated to $w1=W_b$.
- A filter looking for `WithdrawalEvent(account=2)` associated to $w1=W_c$.

The below table is a sample filter index for the pattern after the W_a , W_b and W_c events arrived:

Table 2.4. Sample Filter Index Pattern Example

Value of <code>account</code>	Filter
1	Statement P Pattern $w1=W_a$, Statement P Pattern $w1=W_b$

Value of <code>account</code>	Filter
2	Statement P Pattern $w1=W_c$

When a `Withdrawal` event arrives, the runtime extracts the `account` and performs a lookup into above table. If a matching row is found, the runtime can hand off the event to the relevant pattern subexpressions.

2.18.2.3. Filter Index Context Example

This example is similar to the previous example of multiple statements, but instead it declares a context and associates a single statement to the context.

For example, assume the `LoginEvent` has an `account` field. You could declare a context initiated by a `LoginEvent` for a user:

```
@name('A') create context UserSession initiated by LoginEvent as loginEvent
```

By associating the statement to the context you can tell the compiler to analyze per `LoginEvent`, for example:

```
@name('B') context UserSession select count(*) from WithdrawalEvent(account = context.loginEvent.account)
```

Upon creating the above two statements, the runtime starts looking for `LoginEvent` events. At this time there is only one active filter:

- A filter looking for `LoginEvent` events (any account id).

Assume a `LoginEvent` L_a for account 1 arrives. The runtime then activates a context partition of statement B and therefore the filter looking for `WithdrawalEvent` for account 1. At this time there are two active filters:

- A filter looking for `LoginEvent` events (any account id).
- A filter looking for `WithdrawalEvent(account=1)` associated to `loginEvent=La`.

Assume a `LoginEvent` L_b for account 1 arrives. The runtime then activates a context partition of statement B and therefore the filter looking for `WithdrawalEvent` for account 1. At this time there are three active filters:

- A filter looking for `LoginEvent` events (any account id).
- A filter looking for `WithdrawalEvent(account=1)` associated to `loginEvent=La`.

- A filter looking for `WithdrawalEvent(account=1)` associated to `loginEvent=Lb`.

Assume a `LoginEvent Lc` for account 2 arrives. The runtime then activates a context partition of statement B and therefore the filter looking for `WithdrawalEvent` for account 2. At this time there are four active filters:

- A filter looking for `LoginEvent` events (any account id).
- A filter looking for `WithdrawalEvent(account=1)` associated to `loginEvent=La`.
- A filter looking for `WithdrawalEvent(account=1)` associated to `loginEvent=Lb`.
- A filter looking for `WithdrawalEvent(account=2)` associated to `loginEvent=Lc`.

The below table is a sample filter index for the three statement context partitions:

Table 2.5. Sample Filter Index Context Example

Value of <code>account</code>	Filter
1	Statement B Context Partition #0 <code>loginEvent=L_a</code> , Statement B Context Partition #1 <code>loginEvent=L_b</code>
2	Statement B Context Partition #2 <code>loginEvent=L_c</code>

When a `Withdrawal` event arrives, the runtime extracts the `account` and performs a lookup into above table. It can then hand of the event directly to the relevant statement context partitions, or ignore the event if no rows are found for a given account id.

2.18.3. Event Indexes

Event indexes organize certain columns so that they can be searched efficiently. Event indexes link back to the row that the column(s) come from.

Big-O notation scaling information can be found at [Section 24.1.3, “Big-O Complexity of Joins, Subqueries, On-Select, On-Merge, On-Update, On-Delete”](#).

As event indexes are similar to database indexes, for this discussion, we use the term *column* to mean a column in a EPL table or named window and to also mean an event property or field. We use the term *row* to mean a row in an EPL table or named window and to also mean an event.

When the runtime performs statement processing it may use event indexes to find correlated rows efficiently.

The purpose of event indexes is to enable:

- Efficient evaluation of subqueries.
- Efficient evaluation of joins.

- Efficient evaluation of on-action statements.
- Efficient evaluation of fire-and-forget queries.

Event index building is a result of the compiler analyzing the `where`-clause correlation criteria for joins (`on`-clause for outer joins), subqueries, on-action and fire-and-forget queries. It is done automatically by the compiler. You may utilize the `create index` clause to explicitly index named windows and tables. You may utilize query planner hints to influence index building, use and sharing.

2.19. Basic Null

EPL and SQL use a three-valued logic: besides `true` and `false`, the result of expressions can also be unknown. Three-valued logic is a consequence of supporting `null` to mark absent data. If a `null` value affects the result of a logical expression, the result is neither `true` nor `false` but unknown.

A `null` value basically means “could be anything”. It is therefore impossible to tell whether a comparison to `null` is `true` or `false`. That’s where the third logical value, unknown, comes in. Unknown means “true or false, depending on the null values”.

The result of each of the following comparisons is therefore `null` (unknown):

```
null = 1
```

```
null <> 1
```

```
null > 1
```

```
null = null
```

Nothing *equals* `null`. Not even `null` equals `null` because each `null` could be different. That’s why EPL has the `is null` predicate to test whether a value is null or not.

Credit: Above is an excerpt from an online text that can be found at <http://modern-sql.com/concept/three-valued-logic>.

Chapter 3. Event Representations

This section outlines the different means to model and represent events.

EPL uses the term *event type* to describe the type information available for an event representation.

Your application may configure predefined event types using the configuration object or dynamically add event types using `create schema`.

The EPL `create schema` syntax allows declaring an event type at runtime using EPL, see [Section 5.15, “Declaring an Event Type: Create Schema”](#).

[Section 16.5.5, “Event and Event Type”](#) explains how an event type becomes visible in statements and output events delivered by the runtime.

3.1. Event Underlying Java Objects

An event is an immutable record of a past occurrence of an action or state change. Event properties capture the state information for an event.

In EPL, an event can be represented by any of the following underlying Java objects (NEsper .NET, see [Section J.6, “.NET Event Underlying Objects”](#)):

Table 3.1. Event Underlying Java Objects

Java Class	Description
<code>java.lang.Object</code>	Any Java POJO (plain-old java object) with getter methods following JavaBean conventions; Legacy Java classes not following JavaBean conventions can also serve as events .
<code>java.util.Map</code>	Map events are implementations of the <code>java.util.Map</code> interface where each map entry is a property value.
<code>Object[]</code> (array of object)	Object-array events are arrays of objects (type <code>Object[]</code>) where each array element is a property value.
<code>String</code> (Or <code>JsonEventUnderlying</code>)	JSON events are string-typed JSON-formatted documents. The parsed JSON document is available and implements the <code>JsonEventUnderlying</code> interface.
<code>org.apache.avro.generic.GenericData.Record</code>	Apache Avro events are <code>GenericData.Record</code> objects (Avro is a data serialization system with schema support)
<code>org.w3c.dom.Node</code>	XML document object model (DOM).

EPL provides multiple choices for representing an event. There is no absolute need for you to create new Java classes to represent an event.

Event representations have the following in common:

- All event representations support nested, indexed and mapped properties (aka. property expression), as explained in more detail below. There is no limitation to the nesting level.
- All event representations provide event type metadata. This includes type metadata for nested properties.
- All event representations allow transposing the event itself and parts or all of its property graph into new events. The term transposing refers to selecting the event itself or event properties that are themselves nestable property graphs, and then querying the event's properties or nested property graphs in further statements.
- The Java object, Map, Object-array, JSON and Avro representations allow supertypes.

The API behavior for all event representations is the same, with minor exceptions noted.

The benefits of multiple event representations are:

- For applications that already have events in one of the supported representations, there is no need to transform events before processing for both input and output.
- Event representations are exchangeable, reducing or eliminating the need to change statements when the event representation changes, i.e. the EPL does not depend on whether events are Objects, Map(s), Object-array(s), JSON document(s), Avro record(s) or XML document(s).
- Event representations are interoperable, allowing all event representations to interoperate in same or different statements.
- The choice makes it possible to consciously trade-off performance, ease-of-use, the ability to evolve and effort needed to import or externalize events and use existing event type metadata.

3.2. Event Properties

Event properties capture the state information for an event. Event properties can be simple, indexed, mapped and nested event properties.

The table below outlines the different types of properties and their syntax in an event expression:

Table 3.2. Types of Event Properties

Type	Description	Syntax	Example
Simple	A property that has a single value that may be retrieved.	<code>name</code>	<code>sensorId</code>
Indexed	An indexed property stores an ordered collection of objects (all of the same type) that can be individually accessed by an integer-	<code>name[<i>index</i>]</code>	<code>temperature[0]</code>

Type	Description	Syntax	Example
	valued, non-negative index (or subscript).		
Mapped	A mapped property stores a keyed collection of objects (all of the same type).	<code>name('key')</code>	<code>isTurnedOn('light')</code>
Nested	A nested property is a property that lives within another property of an event.	<code>name.nestedname</code>	<code>sensor.value</code>

Combinations are also possible. For example, a valid combination could be `person.address('home').street[0]`.

You may use any expression as a mapped property key or indexed property index by putting the expression within parenthesis after the mapped or index property name. Please find examples below.

3.2.1. Escape Characters

If your application uses `java.util.Map`, `Object[]` (object-array) or JSON or XML to represent events, then event property names may themselves contain the dot ('.') character. The backslash ('\') character can be used to escape dot characters in property names, allowing a property name to contain dot characters.

For example, the EPL as shown below expects a property by name `part1.part2` to exist on event type `MyEvent`:

```
select part1\.part2 from MyEvent
```

Sometimes your event properties may overlap with EPL language keywords or contain spaces or other special characters. In this case you may use the backwards apostrophe ``` (aka. back tick) character to escape the property name.

The next example assumes a `Quote` event that has a property by name `order`, while `order` is also a reserved keyword:

```
select `order`, price as `price.for.goods` from Quote
```

When escaping mapped or indexed properties, make sure the back tick character appears outside of the map key or index.

The next EPL selects event properties that have names that contain spaces (e.g. `candidate book`), have the tick special character (e.g. `children's books`), are an indexed property (e.g.

children's books[0]) and a mapped property that has a reserved keyword as part of the property name (e.g. `book select('isbn')`):

```
select `candidate book` , `children's books`[0], `book select`('isbn') from
MyEventType
```

When referring to nested properties, escape at the individual nesting level, for example (assuming `MyEventType` has a `payload` property that is itself an event):

```
select payload.`candidate book`, payload.`other books`? from MyEventType
```



Note

Avro does not support the dot-character in field names.

3.2.2. Expression as Key or Index Value

The key or index expression must be placed in parenthesis. When using an expression as key for a mapped property, the expression must return a `String`-typed value. When using an expression as index for an indexed property, the expression must return an `int`-typed value.

This example below uses Java classes to illustrate; The same principles apply to all event representations.

Assume a class declares these properties (getters not shown for brevity):

```
public class MyEventType {
    String myMapKey;
    int myIndexValue;
    int myInnerIndexValue;
    Map<String, InnerType> innerTypesMap; // mapped property
    InnerType[] innerTypesArray; // indexed property
}

public class InnerType {
    String name;
    int[] ids;
}
```

A sample statement demonstrating expressions as map keys or indexes is:

```
select innerTypesMap('somekey'), // returns map value for 'somekey'
       innerTypesMap(myMapKey),   // returns map value for myMapKey value (an
       innerTypesArray[1],       // returns array value at index 1
       innerTypesArray(myIndexValue) // returns array value at index myIndexValue
       (an expression)
from MyEventType
```

The dot-operator can be used to access methods on the value objects returned by the mapped or indexed properties. By using the dot-operator the syntax follows the chained method invocation described at [Section 9.7, “Dot Operator”](#).

A sample statement demonstrating the dot-operator as well as expressions as map keys or indexes is:

```
select innerTypesMap('somekey').ids[1],
       innerTypesMap(myMapKey).getIds(myIndexValue),
       innerTypesArray[1].ids[2],
       innerTypesArray(myIndexValue).getIds(myInnerIndexValue)
from MyEventType
```

Please note the following limitations:

- The square brackets-syntax for indexed properties does now allow expressions and requires a constant index value.
- When using the dot-operator with mapped or indexed properties that have expressions as map keys or indexes you must follow the chained method invocation syntax.

3.3. Dynamic Event Properties

Dynamic (unchecked) properties are event properties that need not be known at statement compilation time. Such properties are resolved during runtime: they provide duck typing functionality.

The idea behind dynamic properties is that for a given underlying event representation you don't always know all properties in advance. An underlying event may have additional properties that are not known at statement compilation time, that you want to query on. The concept is especially useful for events that represent rich, object-oriented domain models.

The syntax of dynamic properties consists of the property name and a question mark. Indexed, mapped and nested properties can also be dynamic properties:

Table 3.3. Types of Event Properties

Type	Syntax
Dynamic Simple	<code>name?</code>
Dynamic Indexed	<code>name[<i>index</i>]?</code>
Dynamic Mapped	<code>name('key')?</code>
Dynamic Nested	<code>name?.nestedPropertyName</code>

Dynamic properties always return the `java.lang.Object` type. Also, dynamic properties return a `null` value if the dynamic property does not exist on events processed at runtime.

As an example, consider an `OrderEvent` event that provides an "item" property. The "item" property is of type `Object` and holds a reference to an instance of either a `Service` or `Product`.

Assume that both `Service` and `Product` classes provide a property named "price". Via a dynamic property you can specify a statement that obtains the price property from either object (`Service` or `Product`):

```
select item.price? from OrderEvent
```

As a second example, assume that the `Service` class contains a "serviceName" property that the `Product` class does not possess. The following statement returns the value of the "serviceName" property for `Service` objects. It returns a `null`-value for `Product` objects that do not have the "serviceName" property:

```
select item.serviceName? from OrderEvent
```

Consider the case where `OrderEvent` has multiple implementation classes, some of which have a "timestamp" property. The next statement returns the timestamp property of those implementations of the `OrderEvent` interface that feature the property:

```
select timestamp? from OrderEvent
```

The statement as above returns a single column named "timestamp?" of type `Object`.

When dynamic properties are nested, then all properties under the dynamic property are also considered dynamic properties. In the below example the statement asks for the "direction" property of the object returned by the "detail" dynamic property:

```
select detail?.direction from OrderEvent
```

Above is equivalent to:

```
select detail?.direction? from OrderEvent
```

The functions that are often useful in conjunction with dynamic properties are:

- The `cast` function casts the value of a dynamic property (or the value of an expression) to a given type.
- The `exists` function checks whether a dynamic property exists. It returns `true` if the event has a property of that name, or `false` if the property does not exist on that event.
- The `instanceof` function checks whether the value of a dynamic property (or the value of an expression) is of any of the given types.
- The `typeof` function returns the string type name of a dynamic property.

3.4. Fragment and Fragment Type

Sometimes an event can have properties that are itself events. EPL uses the term *fragment* and *fragment type* for such event pieces. The best example is a pattern that matches two or more events and the output event contains the matching events as fragments. In other words, output events can be a composite event that consists of further events, the fragments.

Fragments have the same metadata available as their enclosing composite events. The metadata for enclosing composite events contains information about which properties are fragments, or have a property value that can be represented as a fragment and therefore as an event itself.

Fragments and type metadata can allow your application to navigate composite events without the need for using the Java reflection API and reducing the coupling to the underlying event representation. The API is further described in [Section 16.5.5, “Event and Event Type”](#).

3.5. Comparing Event Representations

More information on event representations can be found in the appendix. The links are:

Table 3.4. Comparing Event Representations

Event Representation	More Information and Examples
Java Object (POJO/Bean or other)	Appendix D, Event Representation: Plain-Old Java Object Events
Map	Appendix E, Event Representation: java.util.Map Events

Event Representation	More Information and Examples
Object-array	Appendix F, Event Representation: Object-Array (Object[]) Events
JSON	Appendix G, Event Representation: JSON Events
Avro	Appendix H, Event Representation: Avro Events <i>(org.apache.avro.generic.GenericData.Record)</i>
XML Document	Appendix I, Event Representation: org.w3c.dom.Node XML Events

3.5.1. Incoming Events

For sending incoming events into the runtime for processing, your application uses one of the send-event methods on the `EPEventService` interface:

Table 3.5. EPEventService Send-Event Methods

Event Representation	Method for Processing Events
Java Object (POJO/Bean or other)	<code>sendEventBean(Object event, String eventName)</code>
Map	<code>sendEventMap(Map map, String eventName)</code>
Object-array	<code>sendEventObjectArray(Object[] objectarray, ObjectArrayEventTypeName)</code>
JSON	<code>sendEventJson(String json, String jsonEventTypeName)</code>
Avro	<code>sendEventAvro(Object avroGenericDataDotRecord, String avroEventTypeName)</code>
XML Document	<code>sendEventXMLDOM(org.w3c.dom.Node node, String eventName)</code>

Please find an example in the respective appendix.

3.5.2. Outgoing Events

The `StatementUpdateListener` interface receives statement output. The output events can be either of the representations

Table 3.6. Annotation for Receiving Events

Event Representation	Annotation
Java Object (POJO/Bean or other)	N/A
Map	<code>@EventRepresentation(map)</code>
Object-array	<code>@EventRepresentation(objectarray)</code>
JSON	<code>@EventRepresentation(json)</code>
Avro	<code>@EventRepresentation(avro)</code>
XML Document	N/A

Please find an example in the respective appendix.

3.5.3. Schema

The `create-schema` clause can be used to define an event type and its event representation.

Table 3.7. Create-Schema

Event Representation	Annotation
Java Object (POJO/Bean or other)	<code>create schema name as class_name</code>
Map	<code>create map schema name as (...)</code>
Object-array	<code>create objectarray schema name as (...)</code>

Event Representation	Annotation
JSON	<code>create json schema name as (...)</code>
Avro	<code>create avro schema name as (...)</code>
XML Document	<code>@XMLSchema(...) create xml schema name as ()</code>

Your statements can use `create schema` and `insert into` to define an event type and to produce events of the type.

In the following example the first statement declares a schema and the second statement inserts events according to the schema:

```
create map schema ParkingEvent as (carId string, driverName string)
```

```
insert into ParkingEvent select carId, 'jim' as driverName from CarArrivalEvent
```

Please find additional examples in [Section 5.15, “Declaring an Event Type: Create Schema”](#).

3.5.4. Side-by-Side

Each of the event representations of Java object, Map, Object-array, JSON, Avro and XML document has advantages and disadvantages that are summarized in the table below:

Table 3.8. Comparing Event Representations

	Java Object (POJO/ Bean or other)	Map	Object-array	JSON	Avro	XML Document
Performance	Excellent	Good	Excellent	Excellent	Very Good	Not comparable and depending on use of XPath

	Java Object (POJO/ Bean or other)	Map	Object-array	JSON	Avro	XML Document
Memory Use	Small	Medium	Small	Small	Small	Depends on DOM and XPath implementation used, can be large
Call Method on Event	Yes	Yes, if contains Object(s)	Yes, if contains Object(s)	No	No	No
Nested, Indexed, Mapped and Dynamic Properties	Yes	Yes	Yes	Yes	Yes	Yes
Course-grained event syntax	Yes	Yes	Yes	Yes	Yes	Yes
Insert-into that Representation	Yes	Yes	Yes	Yes	Yes	No
Create-schema Syntax	Yes	Yes	Yes	Yes	Yes	Yes
Object is Self-Descriptive	Yes	Yes	No	Yes	Yes	Yes
Supertypes	Multiple	Multiple	Single	Single	Single	No

3.6. Support for Generic Tuples

EPL does not require a fixed tuple structure and fully supports generic tuples. Event properties can be defined, added to existing types and queried at runtime.

The facilities for support of generic tuples are:

- Dynamic properties allow querying properties that are not defined, see [Section 3.3, “Dynamic Event Properties”](#).
- The `cast` function for operations that require strongly-typed data, see [Section 10.1.2, “The Cast Function”](#).
- Type inheritance for adding properties to supertypes, see [Section 5.15, “Declaring an Event Type: Create Schema”](#)
- The Map event representation, as it allows any map key to become an event property, see [Appendix E, Event Representation: `java.util.Map` Events](#)
- The JSON event representation, as it allows any JSON value (JSON objects, arrays, all JSON types) to become an event property, see [Appendix G, Event Representation: JSON Events](#)
- The Avro event representation, as it allows any Avro field to become an event property, see [Appendix H, Event Representation: Avro Events \(`org.apache.avro.generic.GenericData.Record`\)](#)
- The POJO event representation, as getter-methods and fields can be dynamically discovered to become an event property, see [Appendix D, Event Representation: Plain-Old Java Object Events](#)
- The XML event representation, as the DOM can have any attribute or nested element and there does not need to be a schema, see [Appendix I, Event Representation: `org.w3c.dom.Node` XML Events](#)
- Event types can be deployed and undeploy at runtime using `create schema` and the deployment API

There is no need to explicitly create an event type for each tuple type. It is not necessary to create classes for tuple types at all. Events can be arbitrary objects.

The compiler uses the type information that is available: the compiler can verify your statement against the known properties and types, preventing you as the EPL designer from making mistakes in EPL design. The compiler does not verify dynamic properties, which may return `null` at runtime. If type information is not available then properties are assumed to return `java.lang.Object`-typed values.

For example, let's say you need a generic tuple and you have `Map` events:

```
create schema GenericTuple()
```

Create statements that use dynamic properties, as the next EPL shows, which casts the timestamp value to a `long`-type value and outputs the hour-minute-second string:

```
select cast(timestamp?, long).format('hh mm ss') from GenericTuple
```

Send events like this:

```
Map<String, Object> genericEvent = new HashMap<>();
genericEvent.put("timestamp", new Date().getTime());
genericEvent.put("some_other_property", "hello");
runtime.getEventService().sendEventMap(genericEvent, "GenericTuple");
```

3.7. Updating, Merging and Versioning Events

To summarize, an event is an immutable record of a past occurrence of an action or state change, and event properties contain useful information about an event.

The length of time an event is of interest to the runtime (retention time) depends on your statements, and especially the data window, pattern and output rate limiting clauses of your statements.

During the retention time of an event more information about the event may become available, such as additional properties or changes to existing properties. EPL provides two concepts for handling updates to events.

The first means to handle updating events is the `update istream` clause as further described in [Section 5.20, “Updating an Insert Stream: The Update IStream Clause”](#). It is useful when you need to update events as they enter a stream, before events are evaluated by any particular consuming statement to that stream.

The second means to update events is the `on-merge` and `on-update` clauses, for use with tables and named windows only, as further described in [Section 6.8, “Triggered Upsert Using the On-Merge Clause”](#) and [Section 6.6, “Updating Data: The On Update Clause”](#). On-merge is similar to the SQL `merge` clause and provides what is known as an "Upsert" operation: Update existing events or if no existing event(s) are found then insert a new event, all in one atomic operation provided by a single statement. On-update can be used to update individual properties of rows held in a table or named window.

3.8. Coarse-Grained Events

Your application events may consist of fairly comprehensive, coarse-grained structures or documents. For example in business-to-business integration scenarios, XML documents or other event objects can be rich deeply-nested graphs of event properties.

To extract information from a coarse-grained event or to perform bulk operations on the rows of the property graph in an event, EPL provides a convenient syntax: When specifying a filter expression in a pattern or in a `select` clause, it may contain an contained-event selection syntax, as further described in [Section 5.19, “Contained-Event Selection”](#).

3.9. Event Objects Instantiated and Populated by `Insert Into`

Into

For NEsper .NET also see [Section J.10, “.NET Event Objects Instantiated and Populated by Insert Into”](#).

The `insert into` clause can instantiate and populate new instances of Java object events, `java.util.Map` events and `Object[]` (object array) events directly from the results of `select` clause expressions. Simply use the event type name as the stream name in the `insert into` clause as described in [Section 5.10, “Merging Streams and Continuous Insertion: The Insert Into Clause”](#).

If instead you have an existing instance of a Java object returned by an expression, such as a single-row function or static method invocation for example, you can transpose that expression result object to a stream. This is described further in [Section 5.10.7, “Transposing an Expression Result”](#) and [Section 10.4, “Select-Clause Transpose Function”](#).

The column names specified in the `select` and `insert into` clause must match available writable properties in the event object to be populated (the target event type). The expression result types of any expressions in the `select` clause must also be compatible with the property types of the target event type.

If populating a POJO-based event type and the class provides a matching constructor, the expression result types of expressions in the `select` clause must be compatible with the constructor parameters in the order listed by the constructor. The `insert into` clause column names are not relevant in this case.

Consider the following example statement:

```
insert into com.mycompany.NewEmployeeEvent
select fname as firstName, lname as lastName from HRSystemEvent
```

The above example specifies the fully-qualified class name of `NewEmployeeEvent`. The runtime instantiates `NewEmployeeEvent` for each result row and populates the `firstName` and `lastName` properties of each instance from the result of `select` clause expressions. The `HRSystemEvent` in the example is assumed to have `lname` and `fname` properties, and either setter-methods and a default constructor, or a matching constructor.

Note how the example uses the `as`-keyword to assign column names that match the property names of the `NewEmployeeEvent` target event. If the property names of the source and target events are the same, the `as`-keyword is not required.

The next example is an alternate form and specifies property names within the `insert into` clause instead. The example also assumes that `NewEmployeeEvent` has been defined or imported via configuration since it does not specify the event class package name:

```
insert into NewEmployeeEvent(firstName, lastName)
select fname, lname from HRSystemEvent
```

Finally, this example populates `HRSystemEvent` events. The example populates the value of a `type` property where the event has the value 'NEW' and populates a new event object with the value 'HIRED', copying the `fname` and `lname` property values to the new event object:

```
insert into HRSystemEvent
select fname, lname, 'HIRED' as type from HRSystemEvent(type='NEW')
```

The matching of the `select` or `insert into`-clause column names to target event type's property names is case-sensitive. You can specify a subset of all available columns in the target event type. Wildcard (*) is allowed and copies all fields of the events or multiple events in a join.

For Java object events, your event class must provide setter-methods according to JavaBean conventions or, alternatively, a matching constructor. If the event class provides setter methods the class should also provide a default constructor taking no parameters. If the event class provides a matching constructor there is no need for setter-methods. If your event class does not have a default constructor and setter methods, or a matching constructor, your application may configure a factory method via `ConfigurationEventTypeLegacy`. If your event class does not have a default constructor and there is no factory method provided, the runtime uses in connection with the Oracle JVM the `sun.reflect.ReflectionFactory`, noting that in this case member variables do not get initialized to assigned defaults.

The compiler follows Java standards in terms of widening, performing widening automatically in cases where widening type conversion is allowed without loss of precision, for both boxed and primitive types and including `BigInteger` and `BigDecimal`.

When inserting array-typed properties into a Java, Map-type, Object-array or JSON underlying event the event definition should declare the target property as an array (Avro uses Collections).

Please note the following limitations:

- Event types that utilize XML `org.w3c.dom.Node` underlying event objects cannot be target of an `insert into` clause.

3.10. Event Type Uniqueness

Event type names of preconfigured event types are unique within both compiler and runtime.

Event type names of event types allocated by `create schema` are unique within both the compiler and the runtime by the combination of the deployment id and the event type name.

At runtime for internal lookups the runtime computes a CRC32 value pair. Usually you don't need to worry about CRC32 values as a collision is very unlikely and the compiler and runtime indicate

relevant collisions by throwing a compile-time or deployment-time exception. For preconfigured event types the CRC32 of the type name must be unique within the runtime. For event types allocated by `create schema` the combination of CRC32 of the deployment id and the CRC32 of the event type name must be unique within the runtime.

Chapter 4. Context and Context Partitions

4.1. Introduction

This section discusses the notion of context and its role in the event processing language (EPL).

When you look up the word *context* in a dictionary, you may find: Context is the set of circumstances or facts that surround a particular event, situation, etc.

Context-dependent event processing occurs frequently: For example, consider a requirement that monitors banking transactions. For different customers your analysis considers customer-specific aggregations, patterns or data windows. In this example the context of detection is the customer. For a given customer you may want to analyze the banking transactions of that customer by using aggregations, data windows, patterns including other EPL constructs.

In a second example, consider traffic monitoring to detect speed violations. Assume the speed limit must be enforced only between 9 am and 5 pm. The context of detection is of temporal nature.

A context takes a cloud of events and classifies them into one or more sets. These sets are called *context partitions*. An event processing operation that is associated with a context operates on each of these context partitions independently. (Credit: Taken from the book "Event Processing in Action" by Opher Etzion and Peter Niblett.) A basic partitioned statement was reviewed in [Section 2.11, "Basic Partitioned Statement"](#).

A context is a declaration of dimension and may thus result in one or more context partitions. In the banking transaction example the context dimension is the customer and a context partition exists per customer. In the traffic monitoring example there is a single context partition that exists only between 9 am and 5 pm and does not exist outside of that daily time period.

In an event processing glossary you may find the term *event processing agent*. A statement is an *event processing agent*. An alternative term for context partition is *event processing agent instance*.



Tip

Think of context partitions as instances of a class, wherein the class is the statement.

EPL allows you to declare contexts explicitly, offering the following benefits:

1. Context can apply to multiple statements thereby eliminating the need to duplicate context dimensional information between statements.

2. Context partitions can be temporally overlapping.
3. Context partitions provide a fine-grained lifecycle that is independent of the lifecycle of statement lifecycle, making it easy to specify when an analysis should start and end.
4. Fine-grained lock granularity: The runtime locks on the level of context partitions thereby allowing very high concurrency, with a maximum (theoretical) degree of parallelism at $2^{31}-1$ (2,147,483,647) parallel threads working to process a single statement under a hash segmented context.
5. EPL can become easier to read as common predicate expressions can be factored out into a context.
6. You may specify a nested context that is composed from two or more contexts. In particular a temporal context type is frequently used in combination with a segmentation-oriented context.
7. Using contexts your application can aggregate events over time periods (overlapping or non-overlapping) without retaining any events in memory.
8. Using contexts your application can coordinate boundaries for multiple statements.

EPL allows you to declare a context explicitly via the `create context` syntax introduced below.

After you have declared a context, one or more statements can refer to that context by specifying `context name`. When a statement refers to a context, all EPL-statement related state such as aggregations, patterns or data windows etc. exists once per context partition.

If a statement does not declare a context, it implicitly has a single context partition. The single context partition lives as long as the statement is deployed and ends when the statement is undeployed.

You may have heard of the term *session*. A context partition is the same as a session.

You may have heard of the term *session window* to describe the duration between when a session becomes alive to when a session gets destroyed. We use the term context partition lifecycle instead.

The context declaration specifies how the runtime manages context partitions (or sessions):

- For keyed segmented context there is a context partition (or session) per key or multiple keys see [Section 4.2.2, “Keyed Segmented Context”](#).
- For hash segmented context there is a context partition (or session) per hash code of one or more keys see [Section 4.2.3, “Hash Segmented Context”](#).
- For overlapping contexts there can be multiple overlapping context partitions (or sessions), see [Section 4.2.6, “Overlapping Context”](#).
- For non-overlapping contexts there is only zero or one single context partition (or session), see [Section 4.2.5, “Non-Overlapping Context”](#).

- For category segmented context there is a context partition (or session) per predefined category, see [Section 4.2.4, “Category Segmented Context”](#).

For the API to administrate context partitions please see [Section 16.17, “Context Partition Administration”](#). For more information on locking and threading please see [Section 16.8, “Runtime Threading and Concurrency”](#). For performance related information please refer to [Chapter 24, Performance](#).

4.2. Context Declaration

The `create context` statement declares a context by specifying a context name and context dimension information.

A context declaration by itself does not consume any resources or perform any logic until your application starts at least one statement that refers to that context. Until then the context is inactive and not in use.

When your application deploys the first statement that refers to the context, the runtime activates the context.

As soon as your application undeploys all statements that refer to the context, the context becomes inactive again.

When your application undeploys a statement that refers to a context, the context partitions associated to that statement also end (context partitions associated to other deployed statements live on).

In order for your application to undeploy the statement that declared the context it must also undeploy any statements that refer to the context.

When your application undeploys all statements that refer to that context and undeploys the statement that declared the context then the runtime removes the context declaration entirely.

The `create context` statement posts no output events to listeners or subscribers and does not return any rows when iterated.

4.2.1. Context-Provided Properties

Each of the context declarations makes available a set of built-in context properties as well as initiating event or pattern properties, as applicable. You may select these context properties for output or use them in any of the statement expressions.

Refer to built-in context properties as `context.property_name`, wherein `property_name` refers to the name of the built-in context property.

Refer to initiating event or pattern match event properties as `context.stream_name.property_name`, wherein `stream_name` refers to the name assigned to the event or the tag name specified in a pattern and `property_name` refers to the name of the initiating event or pattern match event property.

4.2.2. Keyed Segmented Context

This context assigns events to context partitions based on the values of one or more event properties, using the value of these property(s) as a key that picks a unique context partition directly. Each event thus belongs to exactly one context partition or zero context partitions (zero context partitions only if the event does not match the optional filter predicate expression(s)). Each context partition handles one key value (a key value can be a composite key).

The syntax for creating a keyed segmented context is:

```
create context context_name partition [by] partition_def
  [initiated [by] initiated_def]
  [terminated [by] terminating_condition]
```

The *context_name* you assign to the context can be any identifier.

Following the context name is the `partition` keyword and a *partition_def* partition definition that list event properties and event types providing the partition key value (or values for composite keys).

You may optionally declare initiating events using the `initiated` keyword and you may provide a termination condition for terminating partitions.

4.2.2.1. Partition-By

After `partitioned by` you can list the event properties that provide the key values that identify a unique partition. The synopsis is:

```
create context context_name partition [by]
  event_property [and event_property [and ...]] from stream_def
  [ [as] stream_name ]
  [, event_property [...] from stream_def ] [, ...]
```

The *event_property* is the name(s) of the event properties that provide the value(s) to pick a unique partition. Multiple event property names are separated by the `and` keyword or by comma. Further detail on key expressions can be found at [Section 5.2.13, “Composite Keys and Array Values as Keys”](#).

The *stream_def* is a stream definition which consists of an event type name optionally followed by parenthesis that contains filter expressions. If providing filter expressions, only events matching the provided filter expressions for that event type are considered by context partitions. The name of a named window or table is not allowed.

You may list multiple event properties for each stream definition. You may list multiple stream definitions. Please refer to usage guidelines below when specifying multiple event properties and/or multiple stream definitions.

You may specify the optional `as`-keyword and a stream name. This instructs the runtime to make the first event of a partition available in context built-in properties and for matching in `terminated by`. You may specify stream names either in `partition by` or in `initiated by` but not both.

The next statement creates a context `SegmentedByCustomer` that considers the value of the `custId` property of the `BankTxn` event type to pick the context partition to assign events to:

```
create context SegmentedByCustomer partition by custId from BankTxn
```

The following statement refers to the context created as above to compute a total withdrawal amount per account for each customer:

```
context SegmentedByCustomer
select custId, account, sum(amount) from BankTxn group by account
```

The following statement refers to the context created as above and detects a withdrawal of more than 400 followed by a second withdrawal of more than 400 that occur within 10 minutes of the first withdrawal, all for the same customer:

```
context SegmentedByCustomer
select * from pattern [
  every a=BankTxn(amount>400) -> b=BankTxn(amount>400) where timer:within(10
  minutes)
]
```

The statement that refers to a keyed segmented context must have at least one filter expression, at any place within the statement that looks for events of any of the event types listed in the context declaration.

For example, the following is not valid:

```
// Neither LoginEvent nor LogoutEvent are listed in the context declaration
context SegmentedByCustomer
select * from pattern [every a=LoginEvent -> b=LogoutEvent where timer:within(10
  minutes)]
```

4.2.2.2. Initiated-By

When provided, `initiated by` lists the event type and filter criteria of events that can initiate new partitions. The synopsis is:

```
initiated by stream_def [ [as] stream_name ]  
[ , stream_def [ [as] stream_name ] ] [ , ... ]
```

When `initiated by` is not provided, the `partitioned by` provides the event type and filter criteria for events that can initiate new partitions.

The `stream_def` is the stream definition which consists of an event type name optionally followed by parenthesis that contains filter expressions.

If providing filter expressions, only events matching the provided filter expressions for that event type initiate a new context partition. The name of a named window or table is not allowed.

You may use the `as`-keyword and a stream name to name the initiating event. That event becomes available in context built-in properties and for matching in `terminated by`. You may specify stream names either in `partition by` or in `initiated by` but not both.

This is a sample context and statement:

```
create context PerCustId_TriggeredByLargeAmount  
  partition by custId from BankTxn  
  initiated by BankTxn(amount>100) as largeTxn
```

```
context PerCustId_TriggeredByLargeAmount select context.largeTxn, custId,  
  sum(amount) from BankTxn
```

When a `BankTxn` event arrives with an `amount` value of greater than 100, the system starts the analysis (allocates a partition) for the specific `custId` value of the `BankTxn` event. The statement totals up the `amount` value of all `BankTxn` events for that same `custId` value (regardless of their amount). The sample assigns the name `largeTxn` to the initiating event and selects the event with `context.largeTxn`.

4.2.2.3. Terminated-By

When provided, `terminated by` provides the condition that terminates partitions. The synopsis is:

```
terminated [by] terminating_condition
```

A list of possible conditions is provided in [Section 4.2.7, "Context Conditions"](#). An event that causes termination does not also allocate a new partition.

Any event types that are listed in both the termination condition and `partition by` are implicitly correlated by key.



Note

In the case that the terminating condition and the statements that are associated to the context look for the same events, you may use `@Priority` to assign whether the context or the statement are processed first.

Consider the following two statements:

```
create context PerCustId_UntilExpired
  partition by custId from BankTxn
  terminated by BankTxn(expired=true)
```

```
context PerCustId_UntilExpired select custId, sum(amount) from BankTxn output
  last when terminated
```

When a `BankTxn` event arrives, the system starts the analysis (allocates a partition) for the specific `custId` value of the `BankTxn` event only. The system stops the analysis (discards the partition) when a `BankTxn` event arrives, for that same `custId` value, that has an `expired` value of `true`. The output occurs when the analysis stops as the statement specifies `output last when terminated`.

The termination condition can be correlated to the initiating event provided that `initiated by` provides a stream name.

A context that correlates the terminating event to the initiating event is:

```
create context PerCustId_TriggeredByLargeAmount_UntilExpired
  partition by custId from BankTxn
  initiated by BankTxn(amount>100) as txn
  terminated by BankTxn(expired=true and user=txn.user)
```

This example defines a context wherein the system starts the analysis when a `BankTxn` event arrives that has an `amount` value of greater than 100 (the initiating event). The analysis for the specific `custId` value only. It stops the analysis when a `BankTxn` event arrives that has an `expired` value of `true` and that the same `custId` value and that has a `user` value that matches the initiating event's `user` value.

4.2.2.4. Multiple Stream Definitions

If the context declaration lists multiple streams, each event type must be unrelated: You may not list the same event type twice and you may not list a sub- or super-type of any event type already listed.

The following is not a valid declaration since the `BankTxn` event type is listed twice:

```
// Not valid
create context SegmentedByCustomer partition by custId from BankTxn, account
from BankTxn
```

If the context declaration lists multiple streams, the number of event properties provided for each event type must also be the same. The value type returned by event properties of each event type must match within the respective position it is listed in, i.e. the first property listed for each event type must have the same type, the second property listed for each event type must have the same type, and so on.

The following is not a valid declaration since the customer id of `BankTxn` and login time of `LoginEvent` is not the same type:

```
// Invalid: Type mismatch between properties
create context SegmentedByCustomer partition by custId from BankTxn, loginTime
from LoginEvent
```

The next statement creates a context `SegmentedByCustomer` that also considers `LoginEvent` and `LogoutEvent`:

```
create context SegmentedByCustomer partition by
custId from BankTxn, loginId from LoginEvent, loginId from LogoutEvent
```

As you may have noticed, the above example refers to `loginId` as the event property name for `LoginEvent` and `LogoutEvent` events. The assumption is that the `loginId` event property of the login and logout events has the same type and carries the same exact value as the `custId` of bank transaction events, thereby allowing all events of the three event types to apply to the same customer-specific context partition.

4.2.2.5. Comparing the Use of Filter Criteria

You may add a filter expression to each of the event types. Filter criteria in `partition by` apply to all statements that refer to the context and to the same event type. Filter criteria in `initiated by` apply to initiating events only.

The below statements total up the amount of all `BankTxn` events per `custId` for only those `BankTxn` events that have an `amount` greater 100.

```
create context PerCust_AmountGreater100
partition by custId from BankTxn(amount>100)
```



```
initiated by BankTxn
```

```
context PerCust_AmountGreater100 select custId, sum(amount) from BankTxn
```

The below statements total up the amount of all BankTxn events per custId, but only when a first BankTxn event comes in that has an amount greater 100.

```
create context PerCust_TriggeredByLargeTxn
  partition by custId from BankTxn
  initiated by BankTxn(amount>100)
```

```
context PerCust_TriggeredByLargeTxn select custId, sum(amount) from BankTxn
```

4.2.2.6. Multiple Properties per Event Type

You may assign events to context partitions based on the values of two or more event properties. The runtime thus uses the combination of values of these properties to pick a context partition.

An example context declaration follows:

```
create context ByCustomerAndAccount partition by custId and account from BankTxn
```

The next statement refers to the context and computes a total withdrawal amount, per account and customer:

```
context ByCustomerAndAccount select custId, account, sum(amount) from BankTxn
```

As you can see, the above statement does not need to specify `group by` clause to aggregate per customer and account, since events of each unique combination of customer id and account are assigned to separate context partitions.

4.2.2.7. Built-In Context Properties

The following context properties are available in your statement when it refers to a keyed segmented context:

Table 4.1. Keyed Segmented Context Properties

Name	Description
name	The string-type context name.
id	The integer-type internal context partition id that the runtime assigns to the context partition.
key1	The event property value for the first key.
keyN	The event property value for the Nth key.
<i>stream name</i> from partitioned by or initiated by	The event initiating the partition.

Assume the keyed segmented context is declared as follows:

```
create context ByCustomerAndAccount partition by custId and account from BankTxn
```

You may, for example, select the context properties as follows:

```
context ByCustomerAndAccount
  select context.name, context.id, context.key1, context.key2 from BankTxn
```

4.2.2.8. Examples of Joins

This section discusses the impact of contexts on joins to provide further samples of use and deepen the understanding of context partitions.

Consider a context declared as follows:

```
create context ByCust partition by custId from BankTxn
```

The following statement matches, within the same customer id, the current event with the last 30 minutes of events to determine those events that match amounts:

```
context ByCust
  select * from BankTxn as t1 unidirectional, BankTxn#time(30) t2
  where t1.amount = t2.amount
```

Note that the `where`-clause in the join above does not mention customer id. Since each `BankTxn` applies to a specific context partition the join evaluates within that single context partition.

Consider the next statement that matches a security event with the last 30 minutes of transaction events for each customer:

```
context ByCust
  select * from SecurityEvent as t1 unidirectional, BankTxn#time(30) t2
  where t1.customerName = t2.customerName
```

When a security event comes in, it applies to all context partitions and not any specific context partition, since the `SecurityEvent` event type is not part of the context declaration.

4.2.3. Hash Segmented Context

This context assigns events to context partitions based on the result of a hash function and modulo operation. Each event belongs to exactly one context partition or zero context partitions (zero context partitions only if the event does not match the optional filter predicate expression(s)). Each context partition handles exactly one result of hash value modulo granularity.

The syntax for creating a hashed segmented context is as follows:

```
create context context_name coalesce [by]
  hash_func_name(hash_func_param) from stream_def
  [, hash_func_name(hash_func_param) from stream_def ]
  [, ...]
  granularity granularity_value
  [preallocate]
```

The `context_name` you assign to the context can be any identifier.

Following the context name is one or more lists of hash function name and parameters pairs and a stream definition for each entry, separated by comma (,).

The `hash_func_name` can either be `consistent_hash_crc32` or `hash_code` or a plug-in single-row function. The `hash_func_param` is a list of parameter expressions.

- If you specify `consistent_hash_crc32` the runtime computes a consistent hash code using the CRC-32 algorithm.
- If you specify `hash_code` the runtime uses the Java object hash code.
- If you specify the name of a plug-in single-row function your function must return an integer value that is the hash code. You may use the wildcard (*) character among the parameters to pass the underlying event to the single-row function.

The `stream_def` is a stream definition which consists of an event type name optionally followed by parenthesis that contains filter expressions. If providing filter expressions, only events matching

the provided filter expressions for that event type are considered by context partitions. The name of a named window or table is not allowed.

You may list multiple stream definitions. Please refer to usage guidelines below when specifying multiple stream definitions.

The `granularity` is required and is an integer number that defines the maximum number of context partitions. The runtime computes hash code modulo `granularity` `hash(params) mod granularity` to determine the context partition. When you specify the `hash_code` function the runtime uses the object hash code and the computation is `params.hashCode() % granularity`.

Since the runtime locks on the level of context partition to protect state, the `granularity` defines the maximum degree of parallelism. For example, a `granularity` of 1024 means that 1024 context partitions handle events and thus a maximum 1024 threads can process each assigned statement concurrently.

The optional `preallocate` keyword instructs the runtime to allocate all context partitions at once at the time a statement refers to the context. This is beneficial for performance as the runtime does not need to determine whether a context partition exists and dynamically allocate, but may require more memory.

The next statement creates a context `SegmentedByCustomerHash` that considers the CRC-32 hash code of the `custId` property of the `BankTxn` event type to pick the context partition to assign events to, with up to 16 different context partitions that are preallocated:

```
create context SegmentedByCustomerHash
  coalesce by consistent_hash_crc32(custId) from BankTxn granularity 16
  preallocate
```

The following statement refers to the context created as above to compute a total withdrawal amount per account for each customer:

```
context SegmentedByCustomerHash
select custId, account, sum(amount) from BankTxn group by custId, account
```

Note that the statement above groups by `custId`: Since the events for different customer ids can be assigned to the same context partition, it is necessary that the statement also groups by customer id.

The context declaration shown next assumes that the application provides a `computeHash` single-row function that accepts `BankTxn` as a parameter, wherein the result of this function must be an integer value that returns the context partition id for each event:

```
create context MyHashContext
```

```
coalesce by computeHash(*) from BankTxn granularity 16 preallocate
```

The statement that refers to a hash segmented context must have at least one filter expression, at any place within the statement that looks for events of any of the event types listed in the context declaration.

For example, the following is not valid:

```
// Neither LoginEvent nor LogoutEvent are listed in the context declaration
context SegmentedByCustomerHash
select * from pattern [every a=LoginEvent -> b=LogoutEvent where timer:within(10
minutes)]
```

4.2.3.1. Multiple Stream Definitions

If the context declaration lists multiple streams, each event type must be unrelated: You may not list the same event type twice and you may not list a sub- or super-type of any event type already listed.

If the context declaration lists multiple streams, the hash code function should return the same hash code for the related keys of all streams.

The next statement creates a context `HashedByCustomer` that also considers `LoginEvent` and `LogoutEvent`:

```
create context HashedByCustomer as coalesce
  consistent_hash_crc32(custId) from BankTxn,
  consistent_hash_crc32(loginId) from LoginEvent,
  consistent_hash_crc32(loginId) from LogoutEvent
granularity 32 preallocate
```

4.2.3.2. Filters

You may add a filter expression to each of the event types listed. The runtime applies the filter expression to the statement that refers to the context and to the same event type.

The next statement creates a context `HashedByCustomer` that does not consider login events that indicate that the login failed.

```
create context HashedByCustomer
  coalesce consistent_hash_crc32(loginId) from LoginEvent(failed = false)
granularity 1024 preallocate
```

4.2.3.3. Built-In Context Properties

The following context properties are available in your statement when it refers to a keyed segmented context:

Table 4.2. Hash Segmented Context Properties

Name	Description
name	The string-type context name.
id	The integer-type internal context partition id that the runtime assigns to the context partition.

Assume the hashed segmented context is declared as follows:

```
create context ByCustomerHash coalesce consistent_hash_crc32(custId) from
  BankTxn granularity 1024
```

You may, for example, select the context properties as follows:

```
context ByCustomerHash
  select context.name, context.id from BankTxn
```

4.2.3.4. Performance Considerations

The `hash_code` function based on the Java object hash code is generally faster than the CRC32 algorithm. The CRC32 algorithm, when used with a non-String parameter or with multiple parameters, requires the runtime to serialize all expression results to a byte array to compute the CRC32 hash code.

We recommend keeping the granularity small (1k and under) when using `preallocate`.

When specifying a granularity greater than 65536 (64k) the runtime switches to a Map-based lookup of context partition state which can slow down statement processing.

4.2.4. Category Segmented Context

This context assigns events to context partitions based on the values of one or more event properties, using a predicate expression(s) to define context partition membership. Each event can thus belong to zero, one or many context partitions depending on the outcome of the predicate expression(s).

The syntax for creating a category segmented context is as follows:

```
create context context_name
  group [by] group_expression as category_label
```

```
[, group [by] group_expression as category_label]
[, ...]
from stream_def
```

The *context_name* you assign to the context can be any identifier.

Following the context name is a list of groups separated by the `group` keyword. The list of groups is followed by the `from` keyword and a stream definition.

The *group_expression* is an expression that categorizes events. Each group expression must be followed by the `as` keyword and a category label which can be any identifier.

Group expressions are predicate expressions and must return a Boolean-type true or false when applied to an event. For a given event, any number of group expressions may return true thus categories can be overlapping.

The *stream_def* is a stream definition which consists of an event type name optionally followed by parenthesis that contains filter expressions. If providing filter expressions, only events matching the provided filter expressions for that event type are considered by context partitions.

The next statement creates a context `CategoryByTemp` that consider the value of the `temperature` property of the `SensorEvent` event type to pick context partitions to assign events to:

```
create context CategoryByTemp
  group temp < 65 as cold,
  group temp between 65 and 85 as normal,
  group temp > 85 as large
from SensorEvent
```

The following statement simply counts, for each category, the number of events and outputs the category label and count:

```
context CategoryByTemp select context.label, count(*) from SensorEvent
```

4.2.4.1. Built-In Context Properties

The following context properties are available in your statement when it refers to a category segmented context:

Table 4.3. Category Segmented Context Properties

Name	Description
name	The string-type context name.
id	The integer-type internal context partition id that the runtime assigns to the context partition.

Name	Description
label	The category label is the string identifier value after the <code>as</code> keyword that is specified for each group.

You may, for example, select the context properties as follows:

```
context CategoryByTemp
  select context.name, context.id, context.label from SensorEvent
```

4.2.5. Non-Overlapping Context

You may declare a non-overlapping context that exists once or that repeats in a regular fashion as controlled by a start condition and an optional end condition. The number of context partitions is always either one or zero: Context partitions do not overlap.

The syntax for creating a non-overlapping context is as follows:

```
create context context_name
  start (@now | start_condition)
  [ end end_condition ]
```

The `context_name` you assign to the context can be any identifier.

Following the context name is the `start` keyword, either `@now` or a `start_condition`. It follows the optional `end` keyword and an `end_condition`.

Both the start condition and the end condition, if specified, can be an event filter, a pattern, a crontab or a time period. The syntax of start and end conditions is described in [Section 4.2.7, “Context Conditions”](#).

Once the start condition occurs, the runtime no longer observes the start condition and begins observing the end condition, if an end condition was provided. Once the end condition occurs, the runtime observes the start condition again. If you specified `@now` instead of a start condition, the runtime begins observing the end condition instead. If there is no end condition the context partition remains alive and does not end.

If you specified an event filter as the start condition, then the event also counts towards the statement(s) that refer to that context. If you specified a pattern as the start condition, then the events that may constitute the pattern match can also count towards the statement(s) that refer to the context provided that `@inclusive` and event tags are both specified (see below).

At the time of context activation when your application creates a statement that utilizes the context, the runtime checks whether the start and end condition are crontab expressions. The runtime evaluates the start and end crontab expressions and determines whether the current time is a time between start and end. If the current time is between start and end times, the runtime allocates

the context partition and waits for observing the end time. Otherwise the runtime waits to observe the start time and does not allocate a context partition.

The built-in context properties that are available are the same as described in [Section 4.2.6.2, “Built-In Context Properties”](#).

The next statement creates a context `NineToFive` that declares a daily time period that starts at 9 am and ends at 5 pm:

```
create context NineToFive start (0, 9, *, *, *) end (0, 17, *, *, *)
```

The following statement outputs speed violations between 9 am and 5 pm, considering a speed of 100 or greater as a violation:

```
context NineToFive select * from TrafficEvent(speed >= 100)
```

The example that follows demonstrates the use of an event filter as the start condition and a pattern as the end condition.

The next statement creates a context `PowerOutage` that starts when the first `PowerOutageEvent` event arrives and that ends 5 seconds after a subsequent `PowerOnEvent` arrives:

```
create context PowerOutage start PowerOutageEvent end pattern [PowerOnEvent -
> timer:interval(5)]
```

The following statement outputs the temperature during a power outage and for 5 seconds after the power comes on:

```
context PowerOutage select * from TemperatureEvent
```

To output only the last value when a context partition ends (terminates, expires), please read on to the description of output rate limiting.

The next statement creates a context `Every15Minutes` that starts immediately and lasts for 15 minutes, repeatedly allocating a new context partition at the end of 15 minute intervals:

```
create context Every15Minutes start @now end after 15 minutes
```

The next example declares an `AlwaysOn` context: It starts immediately and does not end unless the application uses the API to terminate the context partition:

```
create context AlwaysOn start @now
```



Tip

A non-overlapping context with `@now` is always-on: A context partition is always allocated at any given point in time. Only if `@now` is specified will a context partition always exist at any point in time.



Note

If you specified an event filter or pattern as the end condition for a context partition, and statements that refer to the context specify an event filter or pattern that matches the same conditions, use `@Priority` to instruct the runtime whether the context management or the statement evaluation takes priority (see below for configuring prioritized execution).

For example, if your context declaration looks like this:

```
create context MyCtx start MyStartEvent end MyEndEvent
```

And a statement managed by the context is this:

```
context MyCtx select count(*) as cnt from MyEndEvent output when
terminated
```

By using `@Priority(1)` for `create-context` and `@Priority(0)` for the counting statement the counting statement does not count the last `MyEndEvent` since context partition management takes priority.

By using `@Priority(0)` for `create-context` and `@Priority(1)` for the counting statement the counting statement will count the last `MyEndEvent` since the statement evaluation takes priority.

4.2.6. Overlapping Context

This context initiates a new context partition when an initiating condition occurs, and terminates one or more context partitions when the terminating condition occurs, if a terminating condition was specified. Thus multiple overlapping context partitions can be active at any point and context partitions can overlap.

The syntax for creating an overlapping context is as follows:

```
create context context_name
  initiated [by] [distinct (distinct_value_expr [,...])] [@now
and] initiating_condition
  [ terminated [by] terminating_condition ]
```

The `context_name` you assign to the context can be any identifier.

Following the context name is the `initiated` keyword. After the `initiated` keyword you can optionally specify the `distinct` keyword and, within parenthesis, list one or more distinct value expressions. After the `initiated` keyword you can also specify `@now` and as explained below.

After the `initiated` keyword you must specify the initiating condition. You may optionally use the `terminated` keyword followed by the terminating condition. If no terminating condition is specified each context partition remains alive and does not terminate.

Both the initiating condition and the terminating condition, if specified, can be an event filter, a pattern, a crontab or a time period. The syntax of initiating and terminating conditions is described in [Section 4.2.7, "Context Conditions"](#).

If you specified `@now` and before the initiating condition then the runtime initiates a new context partition immediately. The `@now` is only allowed in conjunction with initiation conditions that specify a pattern, crontab or time period and not with event filters.

If you specified an event filter for the initiating condition, then the event that initiates a new context partition also counts towards the statement(s) that refer to that context. If you specified a pattern to initiate a new context partition, then the events that may constitute the pattern match can also count towards the statement(s) that refer to the context provided that `@inclusive` and event tags are both specified (see below).

The next statement creates a context `CtxTrainEnter` that allocates a new context partition when a train enters a station, and that terminates each context partition 5 minutes after the time the context partition was allocated:

```
create context CtxTrainEnter
  initiated by TrainEnterEvent as te
  terminated after 5 minutes
```

The context declared above assigns the stream name `te`. Thereby the initiating event's properties can be accessed, for example, by specifying `context.te.trainId`.

The following statement detects when a train enters a station as indicated by a `TrainEnterEvent`, but does not leave the station within 5 minutes as would be indicated by a matching `TrainLeaveEvent`:

```
context CtxTrainEnter
select t1 from pattern [
```

```
t1=TrainEnterEvent(trainId = context.te.trainId) -> timer:interval(5 min) and
not TrainLeaveEvent(trainId = context.te.trainId)
]
```



Tip

Each event (incoming or inserted-into) applies to each context partition. You must provide filter expressions that indicate how events apply to context partitions.

The example above has `trainId = context.te.trainId` to say that the train id of events must match the train id of the initiating event of the particular context partition.

Since the `TrainEnterEvent` that initiates a new context partition also counts towards the statement, the first part of the pattern (the `t1=TrainEnterEvent`) is satisfied by that initiating event.

The next statement creates a context `CtxEachMinute` that allocates a new context partition immediately and every 1 minute, and that terminates each context partition 1 minute after the time the context partition was allocated:

```
create context CtxEachMinute
  initiated @now and pattern [every timer:interval(1 minute)]
  terminated after 1 minutes
```

The statement above specifies `@now` to instruct the runtime to allocate a new context partition immediately as well as when the pattern fires. Without the `@now` the runtime would only allocate a new context partition when the pattern fires after 1 minute and every minute thereafter.

The following statement averages the temperature, starting anew every 1 minute and outputs the aggregate value continuously:

```
context CtxEachMinute select avg(temp) from SensorEvent
```

To output only the last value when a context partition ends (terminates, expires), please read on to the description of output rate limiting.

By providing no terminating condition, you can tell the runtime to allocate context partitions that never terminate, for example:

```
create context CtxTrainEnter initiated by TrainEnterEvent as te
```



Note

If you specified an event filter or pattern as the termination condition for a context partition, and statements that refer to the context specify an event filter or pattern that matches the same conditions, use `@Priority` to instruct the runtime whether the context management or the statement evaluation takes priority (see below for configuring prioritized execution). See the note above for more information.

4.2.6.1. Distinct Events for the Initiating Condition

If your initiating condition is a filter context condition, you may specify the `distinct` keyword followed by one or more distinct-value expressions. Further detail on key expressions can be found at [Section 5.2.13, “Composite Keys and Array Values as Keys”](#).

The following sample EPL specifies a context that initiates a context partition for distinct order id values, remembering that order id until the time the context partition terminates:

```
create context OrderContext
  initiated by distinct(orderId) NewOrderEvent as newOrder
  terminated by CloseOrderEvent(closeOrderId = newOrder.orderId)
```

The runtime allocates a new context partition only when a context partition does not already exist for a given `orderId` value of `NewOrderEvent`. When the context partition terminates at the time a `CloseOrderEvent` arrives, the runtime forgets about the `orderId`, allowing the next `NewOrderEvent` event for the same `orderId` to allocate a new context partition.

Please note the following limitations:

- The `distinct` keyword requires the initiating condition to be an event stream (and not a crontab or pattern, for example) and a stream name must be assigned using the `as` keyword.
- Subqueries, aggregations and the special `prev` and `prior` functions are not allowed among the distinct-value expressions.

4.2.6.2. Built-In Context Properties

The following context properties are available in your statement when it refers to a context:

Table 4.4. Context Properties

Name	Description
<code>name</code>	The string-type context name.

Name	Description
startTime	The start time of the context partition.
endTime	The end time of the context partition. This field is only available in the case that it can be computed from the crontab or time period expression that is provided. Use <code>current_timestamp</code> instead.

You may, for example, select the context properties as follows:

```
context NineToFive
select context.name, context.startTime, context.endTime from TrafficEvent(speed
>= 100)
```

The following statement looks for the next train leave event for the same train id and selects a few of the context properties:

```
context CtxTrainEnter
select *, context.te.trainId, context.id, context.name
from TrainLeaveEvent(trainId = context.te.trainId)
```

4.2.7. Context Conditions

Context start/initiating and end/terminating conditions are for use with overlapping and non-overlapping contexts. Any combination of conditions may be specified.

4.2.7.1. Filter Context Condition

Define the stream that starts/initiates a context partition or that ends/terminates a context partition:

```
event_stream_name [(filter_criteria)] [as stream_name]
```

The *event_stream_name* is either the name of an event type or name of an event stream populated by an insert into statement. The *filter_criteria* is optional and consists of a list of expressions filtering the events of the event stream, within parenthesis after the event stream name.

Two examples are:

```
// A non-overlapping context that starts when MyStartEvent arrives and ends when
MyEndEvent arrives
create context MyContext start MyStartEvent end MyEndEvent
```

```
// An overlapping context where each MyEvent with level greater zero
```

```
// initiates a new context partition that terminates after 10 seconds
create context MyContext initiated MyEvent(level > 0) terminated after 10 seconds
```

You may correlate the start/initiating and end/terminating streams by providing a stream name following the `as` keyword, and by referring to that stream name in the filter criteria of the end condition.

Two examples that correlate the start/initiating and end/terminating condition are:

```
// A non-overlapping context that starts when MyEvent arrives
// and ends when a matching MyEvent arrives (same id)
create context MyContext
start MyEvent as myevent
end MyEvent(id=myevent.id)
```

```
// An overlapping context where each MyInitEvent initiates a new context
// partition
// that terminates when a matching MyTermEvent arrives
create context MyContext
initiated by MyInitEvent as e1
terminated by MyTermEvent(id=e1.id, level <> e1.level) as e2
```

When specifying a stream name for the filter the context built-in properties carry the stream name. For example (termination is output only when using `output when terminated`):

```
context MyContext select context.e1, context.e1.propertyName, context.e2,
context.e2.propertyName from SomeEvent
```

4.2.7.2. Pattern Context Condition

You can define a pattern that starts/initiates a context partition or that ends/terminates a context partition:

```
pattern [pattern_expression] [@inclusive] [as stream_name]
```

The `pattern_expression` is a pattern at [Chapter 7, EPL Reference: Patterns](#).

Specify `@inclusive` after the pattern to have those same events that constitute the pattern match also count towards any statements that are associated to the context. You must also provide a tag for each event in a pattern that should be included.

Examples are:

```
// A non-overlapping context that starts when either StartEventOne or
// StartEventTwo arrive
// and that ends after 5 seconds.
// Here neither StartEventOne or StartEventTwo count towards any statements
// that are referring to the context.
create context MyContext
  start pattern [StartEventOne or StartEventTwo]
  end after 5 seconds
```

```
// Same as above.
// Here both StartEventOne or StartEventTwo do count towards any statements
// that are referring to the context.
create context MyContext
  start pattern [a=StartEventOne or b=StartEventTwo] @inclusive
  end after 5 seconds
```

```
// An overlapping context where each distinct MyInitEvent initiates a new context
// and each context partition terminates after 20 seconds
// Use @inclusive to say that the same MyInitEvent that fires the pattern
// also applies to statements that are associated to the context.
create context MyContext
  initiated by pattern [every-distinct(a.id, 20 sec) a=MyInitEvent]@inclusive
  terminated after 20 sec
```

```
// An overlapping context where each pattern match initiates a new context
// and all context partitions terminate when MyTermEvent arrives.
// The MyInitEvent and MyOtherEvent that trigger the pattern are themselves not
// included
// in any statements that are associated to the context.
create context MyContext
  initiated by pattern [every MyInitEvent -> MyOtherEvent where timer:within(5)]
  terminated by MyTermEvent
```

You may correlate the start and end streams by providing tags as part of the pattern, and by referring to the tag name(s) in the filter criteria of the end condition.

An example that correlates the start and end condition is:

```
// A non-overlapping context that starts when either StartEventOne or
// StartEventTwo arrive
// and that ends when either a matching EndEventOne or EndEventTwo arrive
```



```
create context MyContext
  start pattern [a=StartEventOne or b=StartEventTwo]
  end pattern [EndEventOne(id=a.id) or EndEventTwo(id=b.id)]
```

You may correlate the start/initiating and end/terminating patterns by providing a stream name following the `as` keyword, and by referring to that stream name in the filter criteria of the end condition.

An example that correlates the start and end condition and that specifies a stream name for the pattern match follows:

```
create context MyContext
  start pattern [a=StartEventOne or b=StartEventTwo] as startingPattern
  end pattern [c=EndEventOne(id=startingPattern.a.id) or
              d=EndEventTwo(id=startingPattern.b.id)] as endingPattern
```

When specifying a stream name for the pattern the context built-in properties carry the stream name. For example (termination is output only when using `output` when terminated):

```
context MyContext select context.startingPattern, context.startingPattern.a,
                       context.startingPattern.a.propertyName, context.endingPattern,
                       context.endingPattern.c, context.endingPattern.c.propertyName from SomeEvent
```

4.2.7.3. Crontab Context Condition

Crontab expressions are described in [Section 7.6.4, “Crontab \(timer:at\)”](#).

Multiple crontab expressions may be provided that are separated by comma. When specifying multiple crontabs, the runtime determines the earliest time according to the crontabs.

Examples are:

```
// A non-overlapping context started daily between 9 am to 5 pm
// and not started outside of these hours:
create context NineToFive start (0, 9, *, *, *) end (0, 17, *, *, *)
```

```
// An overlapping context where crontab initiates a new context every 1 minute
// and each context partition terminates after 10 seconds:
create context MyContext initiated (*, *, *, *, *) terminated after 10 seconds
```

```
// From 8:00am (see start) to 9am (see end) and from 10am (see start) to 12pm
(see end).
create context MyContext
  start (0, 8, *, *, *, *), (0, 10, *, *, *, *)
  end (0, 9, *, *, *, *), (0, 12, *, *, *, *)
```

```
// Monday to Friday from 8am to 11am, Saturday and Sunday from 8am to 8pm.
create context MyContext
  start (0, 8, *, *, *, *)
  end (0, 11, *, *, [1, 2, 3, 4, 5], *), (0, 20, *, *, [0, 6], *)
```

```
// Monday from 8am to 10am, Tuesday from 9am to 10am
create context MyContext
  start (0, 8, *, *, 1, *), (0, 9, *, *, 2, *)
  end (0, 10, *, *, *)
```

4.2.7.4. Time Period Context Condition

You may specify a time period that the runtime observes before the condition fires. Time period expressions are described in [Section 5.2.1, “Specifying Time Periods”](#).

The syntax is:

```
after time_period_expression
```

Examples are:

```
// A non-overlapping context started after 10 seconds
// that ends 1 minute after it starts and that again starts 10 seconds thereafter.
create context NonOverlap10SecFor1Min start after 10 seconds end after 1 minute
```

```
// An overlapping context that starts a new context partition every 5 seconds
// and each context partition lasts 1 minute
create context Overlap5SecFor1Min initiated after 5 seconds terminated after 1
minute
```

4.3. Context Nesting

A nested context is a context that is composed from two or more contexts.

The syntax for creating a nested context is as follows:

```
create context context_name
  context nested_context_name [as] nested_context_definition ,
  context nested_context_name [as] nested_context_definition [, ...]
```

The *context_name* you assign to the context can be any identifier.

Following the context name is a comma-separated list of nested contexts. For each nested context specify the `context` keyword followed a nested context name and the nested context declaration. Any of the context declarations as outlined in [Section 4.2, “Context Declaration”](#) are allowed for nested contexts. The order of nested context declarations matters as outlined below. The nested context names have meaning only in respect to built-in properties and statements may not be assigned to nested context names.

The next statement creates a nested context `NineToFiveSegmented` that, between 9 am and 5 pm, allocates a new context partition for each customer id:

```
create context NineToFiveSegmented
  context NineToFive start (0, 9, *, *, *) end (0, 17, *, *, *),
  context SegmentedByCustomer partition by custId from BankTxn
```

The following statement refers to the nested context to compute a total withdrawal amount per account for each customer but only between 9 am and 5 pm:

```
context NineToFiveSegmented
select custId, account, sum(amount) from BankTxn group by account
```

EPL implements nested contexts as a context tree: The context declared first controls the lifecycle of the context(s) declared thereafter. Thereby, in the above example, outside of the 9am-to-5pm time the runtime has no memory and consumes no resources in relationship to bank transactions or customer ids.

When combining segmented contexts, the set of context partitions for the nested context effectively is the Cartesian product of the partition sets of the nested segmented contexts.

When combining temporal contexts with other contexts, since temporal contexts may overlap and may terminate, it is important to understand that temporal contexts control the lifecycle of sub-contexts (contexts declared thereafter). The order of declaration of contexts in a nested context can thereby change resource usage and output result.

The next statement creates a context that allocates context partition only when a train enters a station and then for each hash of the tag id of a passenger as indicated by `PassengerScanEvent` events, and terminates all context partitions after 5 minutes:

```
create context CtxNestedTrainEnter
  context InitCtx initiated by TrainEnterEvent as te terminated after 5 minutes,
    context HashCtx coalesce by consistent_hash_crc32(tagId) from
  PassengerScanEvent
  granularity 16 preallocate
```

In the example above the runtime does not start tracking `PassengerScanEvent` events or hash codes or allocate context partitions until a `TrainEnterEvent` arrives.



Tip

Think of nested contexts as a parent-child relationship with the parent declared first and its child listed next.

Nested contexts are not an OR-operator and are not an intersection. Switching the parent and child changes the behavior.

4.3.1. Nested Context Sample Walk-Through

This section declares a nested context with nested non-overlapping contexts and walks through a specific scenario to help you better understand nested context lifecycles.

Assume event types `AStart`, `AEnd`, `BStart`, `BEnd` and `C`. The following EPL counts `C`-events that occur within the span of `AStart` and `AEnd` and a span of `BStart` and `BEnd`, wherein the span of `AStart-to-AEnd` must contain the span of `BStart-to-BEnd`:

```
create context CtxSampleNestedContext
  context SpanA start AStart end AEnd,
  context SpanB start BStart end BEnd
```

```
context CtxSampleNestedContext select count(*) from C
```

Upon creating the statements above, the runtime starts looking for an `AStart` event only and does not yet look for `AEnd`, `BStart`, `BEnd` or `C` events.

In the scenario, assume that an `AStart` event arrives next. This is, logically, the beginning of the `SpanA` lifecycle (aka. session, interval):

- The runtime stops looking for an `AStart` event.
- The runtime starts looking for an `AEnd` event, since that would mean the end of the current `SpanA` lifecycle.

- The runtime starts looking for a `BStart` event, in order to detect the beginning of a `SpanB` lifecycle.

In the scenario, assume that a `BStart` event arrives. This is, logically, the beginning of the `SpanB` lifecycle:

- The runtime stops looking for further `BStart` events.
- The runtime starts looking for a `BEnd` event, since that would mean the end of the current `SpanB` lifecycle.
- The runtime keeps looking for an `AEnd` event, since that would mean the end of the current `SpanA` lifecycle.
- The runtime starts looking for `c` events and now starts counting each `c` that arrives.

In the scenario, assume that a `BEnd` event arrives. This is, logically, the end of the `SpanB` lifecycle:

- The runtime stops looking for a `BEnd` event.
- The runtime stops looking for `c` events and stops counting each.
- The runtime starts looking for a `BStart` event, since that would mean the beginning of another `SpanB` lifecycle.

In the scenario, assume that an `AEnd` event arrives. This is, logically, the end of the `SpanA` lifecycle:

- The runtime stops looking for an `AEnd` event.
- The runtime stops looking for a `BStart` event.
- The runtime starts looking for an `AStart` event, since that would mean the beginning of another `SpanA` lifecycle.

In the scenario describe above, after the `AEnd` arrives, the runtime is back to the same state as the runtime had after the statements were created originally.

If your use case calls for a logical OR relationships, please consider a pattern for the start condition, like for example so (not equivalent to above):

```
create context CtxSampleNestedContext
  start pattern[every a=AStart or every a=BStart] as mypattern
  end pattern[every AEnd or every BEnd]
```

4.3.2. Built-In Nested Context Properties

Context properties of all nested contexts are available for use. Specify `context.nested_context_name.property_name` or if nested context declaration provided stream names or tags for patterns then `context.nested_context_name.stream_name.property_name`.

For example, consider the `CtxNestedTrainEnter` context declared earlier. The following statement selects a few of the context properties:

```
context CtxNestedTrainEnter
select context.InitCtx.te.trainId, context.HashCtx.id,
       tagId, count(*) from PassengerScanEvent group by tagId
```

In a second example, consider the `NineToFiveSegmented` context declared earlier. The following statement selects a few of the context properties:

```
context NineToFiveSegmented
select context.NineToFive.startTime, context.SegmentedByCustomer.key1 from
       BankTxn
```

The following context properties are available in your statement when it refers to a nested context:

Table 4.5. Nested Context Properties

Name	Description
name	The string-type context name.
id	The integer-type internal context partition id that the runtime assigns to the context partition.

This example selects the nested context name and context partition id:

```
context NineToFiveSegmented select context.name, context.id from BankTxn
```

4.4. Partitioning Without Context Declaration

You do not need to declare a context to partition data windows, aggregation values or patterns themselves individually. You may mix-and-match partitioning as needed.

The table below outlines other partitioning syntax supported by EPL:

Table 4.6. Partition in EPL Without the Use of Context Declarations

Partition Type	Description	Example
Grouped Data Window	Partitions at the level of data window, only applies to appended data window(s).	<pre>// Length window of 2 events per customer</pre>

Partition Type	Description	Example
	Syntax: #groupwin(...)	select * from BankTxn#groupwin(custId)#length(2)
Grouped Aggregation	Partitions at the level of aggregation, only applies to an aggregation. Syntax: group by	select avg(price), window(*) from BankTxn group by custId
Pattern	Partitions pattern subexpressions. Syntax: every or every-distinct	select * from pattern [every a=BankTxn -> BankTxn(custId = a.custId)...]
Match-Recognize	Partitions match-recognize patterns. Syntax: partition by	select * from match_recognize ... partition by custId
Join and Subquery	Partitions join and subqueries. Syntax: where ...	select * from ... where a.custId = b.custId

4.5. Output When a Context Partition Starts (Non-Overlapping Context) or Initiates (Overlapping Context)

The `from`-clause is optional in EPL statements and you may simply select the relevant context properties. The links to the respective sections are [Section 4.2.2.7, “Built-In Context Properties”](#), [Section 4.2.3.3, “Built-In Context Properties”](#), [Section 4.2.4.1, “Built-In Context Properties”](#), [Section 4.2.6.2, “Built-In Context Properties”](#) and [Section 4.3.2, “Built-In Nested Context Properties”](#).

The following example `CtxPerOrder` context initiates a new context partition for each `OrderEvent` and each context partition expires after 5 minutes:

```
create context CtxPerOrderFiveMinutes
initiated by OrderEvent as orderEvent
terminated after 5 minutes
```

This EPL fires when the runtime initiates a context partition due to an `OrderEvent` arriving:

```
context CtxPerOrderFiveMinutes select context.orderEvent as orderEvent
```

Use `insert into` to trigger additional activity. Use the fire-and-forget API to query context partitions. An example can be found at [Section 16.7.4, “The From-Clause is Optional”](#). Use the `iterator` API on the `EPStatement` instance of the above EPL to iterate the context partition information. More information can be found at [Section 16.5.4, “Using Iterators”](#).

4.6. Output When a Context Partition Ends (Non-Overlapping Context) or Terminates (Overlapping Context)

You may use output rate limiting to trigger output when a context partition ends or terminates using `output when terminated`. This concept was introduced to you in [Section 2.13, “Basic Partitioned and Output-Rate-Limited Statement”](#). For more information on output rate limiting please see [Section 5.7, “Stabilizing and Controlling Output: The Output Clause”](#).

The context `CtxEachMinute` initiates a new context partition every 1 minute, and each context partition expires after 5 minutes:

```
create context CtxEachMinute
initiated by pattern [every timer:interval(1 min)]
terminated after 5 minutes
```

The `from`-clause is optional in EPL statements and you may simply select the relevant context properties and use `output when terminated`:

```
context CtxEachMinute select current_timestamp as endtime, context.id as
contextId output when terminated
```

The following statement computes an ongoing average temperature however only outputs the last value of the average temperature, together with the context partition id and the current runtime time, after 5 minutes when a context partition ends:

```
context CtxEachMinute
select current_timestamp as endtime, context.id, avg(temp) from SensorEvent
output last when terminated
```

The `when terminated` syntax can be combined with other output rates.

The next example outputs every 1 minute and also when the context partition ends:

```
context CtxEachMinute
```


Output When a Context Partition Ends (Non-Overlapping Context) or Terminates (Overlapping Context)

```
select context.id, avg(temp) from SensorEvent output last every 1 minute and
when terminated
```

In the case that the end/terminating condition of the context partition is an event or pattern, the context properties contain the information of the tagged events in the pattern or the single event that ended/terminated the context partition.

For example, consider the following context wherein the runtime initializes a new context partition for each arriving `MyStartEvent` event and that terminates a context partition when a matching `MyEndEvent` arrives:

```
create context CtxSample
initiated by MyStartEvent as startevent
terminated by MyEndEvent(id = startevent.id) as endevent
```

The following statement outputs the id property of the initiating and terminating event and only outputs when a context partition ends:

```
context CtxSample
select context.startevent.id, context.endevent.id, count(*) from MyEvent
output last when terminated
```

You may in addition specify a termination expression that the runtime evaluates when a context partition terminates. Only when the termination expression evaluates to true does output occur. The expression may refer to built-in properties as described in [Section 5.7.1.1, “Controlling Output Using an Expression”](#). The syntax is as follows:

```
...output when terminated and termination_expression
```

The next example statement outputs when a context partition ends but only if at least two events are available for output:

```
context CtxEachMinute
select * from SensorEvent output when terminated and count_insert >= 2
```

The final example EPL outputs when a context partition ends and sets the variable `myvar` to a new value:

```
context CtxEachMinute
select * from SensorEvent output when terminated then set myvar=3
```

4.7. Context and Named Window

Named windows are globally-visible data windows that may be referred to by multiple statements. You may refer to named windows in statements that declare a context without any special considerations, with the exception of on-action statements (latter must refer to the same context associated with the named window).

You may also create a named window and declare a context for the named window. In this case the runtime in effect manages separate named windows, one for each context partition.

For example, consider the 9 am to 5 pm non-overlapping context as shown earlier:

```
create context NineToFive start (0, 9, *, *, *) end (0, 17, *, *, *)
```

You may create a named window that only exists between 9 am and 5 pm:

```
context NineToFive create window SpeedingEvents1Hour#time(30 min) as TrafficEvent
```

You can insert into the named window:

```
context NineToFive on TrafficEvent(speed > 100) merge SpeedingEvents1Hour insert
select *
```

Any on-merge, on-select, on-update and on-delete statements must declare the same context, in order to operate on partitioned named windows or tables for the same partition.

The following is not a valid statement as it does not declare the same context that was used to declare the named window:

```
// You must declare the same context for on-trigger statements
on TruncateEvent delete from SpeedingEvents1Hour
```

The following is valid:

```
context NineToFive on TruncateEvent delete from SpeedingEvents1Hour
```

For context declarations that require specifying event types, such as the hash segmented context and keyed segmented context, please provide the named window underlying event type.

The following sample statements define a type for the named window, declare a context and associate the named window to the context:

```
create schema ScoreCycle (userId string, keyword string, productId string, score
long)
```

```
create context HashByUserCtx as
  coalesce by consistent_hash_crc32(userId) from ScoreCycle granularity 64
```

```
context HashByUserCtx create window ScoreCycleWindow#unique(productId, keyword)
as ScoreCycle
```



Note

Use `on-merge` to insert events into a specific partition.

`Insert Into` produces an event that is visible to all partitions.

4.8. Context and Tables

Tables are globally-visible data structures that hold rows organized by primary key(s) and that may be referred to by multiple statements. You may refer to tables in statements that declare a context without any special considerations, with the exception of on-action statements (latter must refer to the same context associated with the table).

You may also create a table and declare a context for the table. In this case the runtime in effect manages separate tables, one for each context partition.

For example, consider the 9 am to 5 pm non-overlapping context as shown earlier:

```
create context NineToFive start (0, 9, *, *, *) end (0, 17, *, *, *)
```

You may create a table that only exists between 9 am and 5 pm:

```
context NineToFive create table AverageSpeedTable (
  carId string primary key,
  avgSpeed avg(double))
```

You can aggregate-into the table only if the aggregating statement declares the same context:

```
// declare the same context as for the table
context NineToFive into table AverageSpeedTable
select avg(speed) as avgSpeed
from TrafficEvent
group by carId
```

When you declare a context for a table, any select, on-merge, on-select, on-update and on-delete statements as well as statements that subquery the table must declare the same context.

For example, this EPL truncates the AverageSpeedTable:

```
context NineToFive on TruncateEvent delete from AverageSpeedTable
```



Note

Use on-merge or into-table to insert events into a specific partition.

`Insert Into` produces an event that is visible to all partitions.

4.9. Context and Variables

A variable is a scalar, object or event value that is available for use in all statements. Variables can be either global variables or context variables.

The value of a global variable is the same for all context partitions. The next example declares a global threshold variable:

```
create variable integer var_global_threshold = 100
```

For context variables, there is a variable value per context partition. The next example declares a context and a context variable:

```
create context ParkingLotContext initiated by CarArrivalEvent as cae terminated
by CarDepartureEvent(lot = cae.lot)
```

```
context ParkingLotContext create variable integer var_parkinglot_threshold = 100
```

The variable `var_parkinglot_threshold` is a context variable. Each context partition can have its own value for the variable.

For more information on variables, please refer to [Section 5.17, “Variables and Constants”](#).

Context variables can only be used in statements that associated to the same context.

4.10. Operations on Specific Context Partitions

The API to read and manage content partitions themselves is [Section 16.17, “Context Partition Administration”](#).

Selecting specific context partitions and interrogating context partition state is useful for:

1. Iterating a specific context partition or a specific set of context partitions. Iterating a statement is described in [Section 16.5.4, “Using Iterators”](#).
2. Executing a fire-and-forget (on-demand) query against specific context partition(s). Fire-and-forget queries are described in [Section 16.7, “Execute Fire-and-Forget Queries Using EPFireAndForgetService”](#).

The runtime provides APIs to identify, filter and select context partitions for statement iteration and fire-and-forget queries. The APIs are described in detail at [Section 16.16, “Context Partition Selection”](#).

For statement iteration, your application can provide context selector objects to the `iterate` and `safeIterate` methods on `EPStatement`. If your code does not provide context selectors the iteration considers all context partitions. At the time of iteration, the runtime obtains the current set of context partitions and iterates each independently. If your statement has an order-by clause, the order-by clause orders within the context partition and does not order across context partitions.

For fire-and-forget queries, your application can provide context selector objects to the `executeQuery` method on `EPFireAndForgetService` and to the `execute` method on `EPFireAndForgetPreparedQuery`. If your code does not provide context selectors the fire-and-forget query considers all context partitions. At the time of fire-and-forget query execution, the runtime obtains the current set of context partitions and queries each independently. If the fire-and-forget query has an order-by clause, the order-by clause orders within the context partition and does not order across context partitions.

Chapter 5. EPL Reference: Clauses

5.1. EPL Introduction

The Event Processing Language (EPL) is a SQL-standard language with extensions, offering `SELECT`, `FROM`, `WHERE`, `GROUP BY`, `HAVING` and `ORDER BY` clauses. Streams replace tables as the source of data with events replacing rows as the basic unit of data. Since events are composed of data, the SQL concepts of correlation through joins, subqueries and aggregation through grouping can be effectively leveraged.

The `INSERT INTO` clause is recast as a means of forwarding events to other streams for further processing. External data may be queried and joined with the stream data. Additional clauses such as the `PATTERN` and `OUTPUT` clauses are available to provide the missing SQL language constructs specific to event processing.

Statements can specify data windows. Similar to tables in a SQL statement, data windows define the subset of events to be analyzed. Data windows can be combined to an intersection or union of sets of events. Some of the often-used data windows are `#length`, `#time`, `#unique`, `#lastevent`, `#firstevent` and `#keepall`.

EPL provides the concept of *named window*. Named windows are data windows that can be used by multiple statements. The name of a named window can occur in a statement's `FROM` clause to query the named window or to include the named window in a join or subquery.

EPL provides the concept of *table*. Tables are globally-visible data structures that typically have primary key columns and that can hold aggregation state. An overview of named windows and tables, and a comparison between them, can be found at [Section 6.1, “Overview”](#).

EPL allows execution of fire-and-forget (on-demand, non-continuous, triggered by API) queries against named windows and tables through the runtime API. The statement compiler automatically indexes named window data for fast access by `ON SELECT/MERGE/UPDATE/INSERT/DELETE` without the need to create an index explicitly, or can access explicit (secondary) table indexes for operations on tables. For fast fire-and-forget query execution via runtime API use the `CREATE INDEX` syntax to create an explicit index for the named window or table in question.

Use `CREATE SCHEMA` to declare an event type.

Variables can come in handy to parameterize statements and change parameters on-the-fly and in response to events. Variables can be used in an expression anywhere in a statement as well as in the output clause for dynamic control of output rates.

The compiler and runtime can be extended by plugging-in custom developed data windows, aggregation functions, and more.

5.2. EPL Syntax

Statements are compiled and deployed into the runtime, and publish results to listeners as events are received by the runtime or time advances that match the criteria specified in the statement. Events can also be obtained from polling statement via the `safeIterator` and `iterator` methods that provide a pull-data API.

The `select` clause in a statement specifies the event properties or events to retrieve. The `from` clause in a statement specifies the event stream definitions and stream names to use. The `where` clause in a statement specifies search conditions that specify which event or event combination to search for. For example, the following statement returns the average price for IBM stock ticks in the last 30 seconds.

```
select avg(price) from StockTick#time(30 sec) where symbol='IBM'
```

Statements follow the below syntax. Statements can be simple queries or more complex queries. A simple select contains only a `select` clause and a single stream definition. Complex statements can be built that feature a more elaborate select list utilizing expressions, may join multiple streams, may contain a `where` clause with search conditions and so on.

```
[annotations]
[expression_declarations]
[context context_name]
[into table table_name]
[insert into insert_into_def]
select select_list
from stream_def [as name] [, stream_def [as name]] [,...]
[where search_conditions]
[group by grouping_expression_list]
[having grouping_search_conditions]
[output output_specification]
[order by order_by_expression_list]
[limit num_rows]
```

5.2.1. Specifying Time Periods

Time-based windows as well as pattern observers and guards take a time period as a parameter. Time periods follow the syntax below.

```
time-period : [year-part] [month-part] [week-part] [day-part] [hour-part]
             [minute-part] [seconds-part] [milliseconds-part] [microseconds-part]

year-part  : (number/variable_name) ("years" | "year")
month-part : (number/variable_name) ("months" | "month")
week-part  : (number/variable_name) ("weeks" | "week")
```



```

day-part : (number/variable_name) ("days" | "day")
hour-part : (number/variable_name) ("hours" | "hour")
minute-part : (number/variable_name) ("minutes" | "minute" | "min")
seconds-part : (number/variable_name) ("seconds" | "second" | "sec")
milliseconds-part : (number/variable_name) ("milliseconds" | "millisecond" |
"msec")
microseconds-part : (number/variable_name) ("microseconds" | "microsecond" |
"usec")

```

Some examples of time periods are:

```

10 seconds
10 minutes 30 seconds
20 sec 100 msec
1 day 2 hours 20 minutes 15 seconds 110 milliseconds 5 microseconds
0.5 minutes
1 year
1 year 1 month

```

Variable names and substitution parameters '?' for prepared statements are also allowed as part of a time period expression.



Note

When the time period has a month or year part, all values must be integer-type values.

5.2.2. Using Comments

Comments can appear anywhere in the module and statement text where whitespace is allowed. Comments can be written in two ways: slash-slash (// ...) comments and slash-star (/* ... */) comments.

Slash-slash comments extend to the end of the line:

```

// This comment extends to the end of the line.
// Two forward slashes with no whitespace between them begin such comments.

select * from MyEvent // this is a slash-slash comment

// All of this text together is a valid statement.

```

Slash-star comments can span multiple lines:

```
/* This comment is a "slash-star" comment that spans multiple lines.
 * It begins with the slash-star sequence with no space between the '/' and
 * '*' characters.
 * By convention, subsequent lines can begin with a star and are aligned, but
 * this is
 * not required.
 */
select * from MyEvent /* this also works */
```

Comments styles can also be mixed:

```
select field1, // first comment
/* second comment*/ field2
from MyEvent
```

5.2.3. Reserved Keywords

Certain words such as `select`, `delete` or `set` are reserved and may not be used as identifiers. Please consult [Appendix C, Reserved Keywords](#) for the list of reserved keywords and permitted keywords.

Names of built-in functions and certain auxiliary keywords are permitted as event property names and in the rename syntax of the `select` clause. For example, `count` is acceptable.

Consider the example below, which assumes that `'last'` is an event property of `MyEvent`:

```
// valid
select last, count(*) as count from MyEvent
```

This example shows an incorrect use of a reserved keyword:

```
// invalid
select insert from MyEvent
```

EPL offers an escape syntax for reserved keywords: Event properties as well as event or stream names may be escaped via the backwards apostrophe ``` (ASCII 96) character.

The next example queries an event type by name `Order` (a reserved keyword) that provides a property by name `insert` (a reserved keyword):

```
// valid
```

```
select `insert` from `Order`
```

5.2.4. Escaping Strings

You may surround string values by either double-quotes (") or single-quotes ('). When your string constant in a statement itself contains double quotes or single quotes, you must escape the quotes.

Double and single quotes may be escaped by the backslash (\) character or by unicode notation. Unicode 0027 is a single quote (') and 0022 is a double quote (").

Escaping event property names is described in [Section 3.2.1, "Escape Characters"](#).

The sample EPL below escapes the single quote in the string constant `John's`, and filters out order events where the name value matches:

```
select * from OrderEvent(name='John\'s')
// ...equivalent to...
select * from OrderEvent(name='John\u0027s')
```

The next EPL escapes the string constant `Quote "Hello"`:

```
select * from OrderEvent(description like "Quote \"Hello\"")
// is equivalent to
select * from OrderEvent(description like "Quote \u0022Hello\u0022")
```

When building an escape string via the API, escape the backslash, as shown in below code snippet:

```
compiler.compile("select * from OrderEvent(name='John\\'s')", ...);
// ... and for double quotes...
compiler.compile("select * from OrderEvent(description like \"Quote \\\"Hello\\\"\\\"")", ...);
```

5.2.5. Data Types

For NEsper .NET also see [Section J.12, ".NET EPL Syntax - Data Types"](#).

EPL honors all Java built-in primitive and boxed types, including `java.math.BigInteger` and `java.math.BigDecimal`.

EPL also follows Java standards in terms of widening, performing widening automatically in cases where widening type conversion is allowed without loss of precision, for both boxed and primitive types and including `BigInteger` and `BigDecimal`:

1. byte to short, int, long, float, double, `BigInteger` or `BigDecimal`
2. short to int, long, float, or double, `BigInteger` or `BigDecimal`
3. char to int, long, float, or double, `BigInteger` or `BigDecimal`
4. int to long, float, or double, `BigInteger` or `BigDecimal`
5. long to float or double, `BigInteger` or `BigDecimal`
6. float to double or `BigDecimal`
7. double to `BigDecimal`

In cases where loss of precision is possible because of narrowing requirements, EPL compilation outputs a compilation error.

EPL supports casting via the `cast` function.

EPL returns double-type values for division regardless of operand type. EPL can also be configured to follow Java rules for integer arithmetic instead as described in [Section 17.5.6, “Compiler Settings Related to Expression Evaluation”](#).

Division by zero returns positive or negative infinity. Division by zero can be configured to return null instead.

5.2.5.1. Data Type of Constants

An EPL constant is a number or a character string that indicates a fixed value. Constants can be used as expressions in many statements, including variable assignment and case-when statements. They can also be used as parameter values for many built-in objects and clauses. Constants are also called literals.

EPL supports the standard SQL constant notation as well as Java data type literals.

The following are types of EPL constants:

Table 5.1. Types of EPL constants

Type	Description	Examples
string	A single character to an unlimited number of characters. Valid delimiters are the single quote (') or double quote (").	<pre>select 'volume' as field1, "sleep" as field2, "\u0041" as unicodeA</pre>
boolean	A boolean value.	<pre>select true as field1, false as field2</pre>
integer	An integer value (4 byte).	<pre>select 1 as field1,</pre>

Type	Description	Examples
		<code>-1 as field2, 1e2 as field3</code>
<code>long</code>	A long value (8 byte). Use the "L" or "l" (lowercase L) suffix.	<code>select 1L as field1, 1l as field2</code>
<code>double</code>	A double-precision 64-bit IEEE 754 floating point.	<code>select 1.67 as field1, 167e-2 as field2, 1.67d as field3</code>
<code>float</code>	A single-precision 32-bit IEEE 754 floating point. Use the "f" suffix.	<code>select 1.2f as field1, 1.2F as field2</code>
<code>byte</code>	A 8-bit signed two's complement integer.	<code>select 0x10 as field1</code>

EPL does not have a single-byte character data type for its literals. Single character literals are treated as string.

Internal byte representation and boundary values of constants follow the Java standard.

5.2.5.2. BigInteger and BigDecimal

EPL automatically performs widening of numbers to `BigInteger` and `BigDecimal` as required, and employs the respective `equals`, `compareTo` and arithmetic methods provided by `BigInteger` and `BigDecimal`.

To explicitly create `BigInteger` and `BigDecimal` constants in EPL, please use the cast syntax : `cast(value, BigInteger)`.

Note that since `BigDecimal.valueOf(1.0)` is not the same as `BigDecimal.valueOf(1)` (in terms of equality through `equals`), care should be taken towards the consistent use of scale.

When using aggregation functions for `BigInteger` and `BigDecimal` values, please note these limitations:

1. The `median`, `stddev` and `avedev` aggregation functions operate on the double value of the object and return a double value.
2. All other aggregation functions return `BigDecimal` or `BigInteger` values (except `count`).

For `BigDecimal` precision and rounding, please see [Section 17.5.6.5, "Math Context"](#). For division operations with `BigDecimal` number we recommend configuring a math context.

5.2.6. Using Constants and Enum Types

This chapter is about Java language constants and enum types and their use in EPL expressions.

Java language constants are public static final fields in Java that may participate in expressions of all kinds, as this example shows:

```
select * from MyEvent where property = MyConstantClass.FIELD_VALUE
```

Event properties that are enumeration values can be compared by their enum type value:

```
select * from MyEvent where enumProp = EnumClass.ENUM_VALUE_1
```

Event properties can also be passed to enum type functions or compared to an enum type method result:

```
select * from MyEvent where somevalue = EnumClass.ENUM_VALUE_1.getSomeValue()  
or EnumClass.ENUM_VALUE_2.analyze(someothervalue)
```

Enum types have a `valueOf` method that returns the enum type value:

```
select * from MyEvent where enumProp = EnumClass.valueOf('ENUM_VALUE_1')
```

If your application does not import, through configuration, the package that contains the enumeration class, then it must also specify the package name of the class. Enum types that are inner classes must be qualified with `$` following Java conventions.

For example, the `Color` enum type as an inner class to `MyEvent` in package `org.myorg` can be referenced as shown:

```
select * from MyEvent(enumProp=org.myorg.MyEvent$Color.GREEN)#firstevent
```

Instance methods may also be invoked on event instances by specifying a stream name, as shown below:

```
select myevent.computeSomething() as result from MyEvent as myevent
```

Chaining instance methods is supported as this example shows:

```
select myevent.getComputerFor('books', 'movies').calculate() as result
from MyEvent as myevent
```

5.2.7. Annotation

An annotation is an addition made to information in a statement. EPL provides certain built-in annotations for defining statement name, adding a statement description or for tagging statements such as for managing statements or directing statement output. Other than the built-in annotations, applications can provide their own annotation classes that the EPL compiler can populate.

An annotation is part of the statement text and precedes the statement. Annotations are therefore part of the EPL grammar. The syntax for annotations follows the host language (Java, .NET) annotation syntax:

```
@annotation_name [(annotation_parameters)]
```

An annotation consists of the annotation name and optional annotation parameters. The *annotation_name* is the simple class name or fully-qualified class name of the annotation class. The optional *annotation_parameters* are a list of key-value pairs following the syntax:

```
@annotation_name (attribute_name = attribute_value, [name=value, ...])
```

The *attribute_name* is an identifier that must match the attributes defined by the annotation class. An *attribute_value* is a constant of any of the primitive types or string, an array, an enum type value or another (nested) annotation. Null values are not allowed as annotation attribute values. Enumeration values are supported in statements and not support in statements created via the `createPattern` method.

Use the `getAnnotations` method of `EPStatement` to obtain annotations.

5.2.7.1. Application-Provided Annotations

Your application may provide its own annotation classes. The compiler detects and populates annotation instances for application annotation classes.

The name of application-provided annotations is case-sensitive.

To enable the compiler to recognize application annotation classes, your annotation name must include the package name (i.e. be fully-qualified) or your compiler configuration must import the annotation class or package via the configuration API.

For example, assume that your application defines an annotation in its application code as follows:

```
public @interface ProcessMonitor {
    String processName();
    boolean isLongRunning default false;
```

```
int[] subProcessIds;  
}
```

Shown next is a statement that utilizes the annotation class defined earlier:

```
@ProcessMonitor(processName='CreditApproval',  
    isLongRunning=true, subProcessIds = {1, 2, 3} )  
  
select count(*) from ProcessEvent(processId in (1, 2, 3)#time(30)
```

Above example assumes the `ProcessMonitor` annotation class is imported via configuration XML or API.

If `ProcessMonitor` should only be visible for use in annotations, use `addAnnotationImport` (or the `auto-import-annotations` XML tag). If `ProcessMonitor` should be visible in all of EPL including annotations, use `addImport` (or the `auto-import` XML tag).

Here is an example API call to import for annotation-only all classes in package `com.mycompany.app.myannotations`:

```
Configuration configuration = new Configuration();  
configuration.getCommon().addAnnotationImport("com.mycompany.app.myannotations.*");
```

The next example imports the `ProcessMonitor` class only and only for annotation use:

```
Configuration configuration = new Configuration();  
configuration.getCommon().addAnnotationImport("com.mycompany.myannotations.ProcessMonitor");
```

5.2.7.2. Annotations With Enumeration Values

For annotations that accept an enumeration value, the enumeration name does not need to be specified and matching is not case-sensitive.

For example, assume the enum is:

```
public enum MyEnum {  
    ENUM_VALUE_1,  
    ENUM_VALUE_2;  
}
```

Assume the annotation is:


```
public @interface MyAnnotationWithEnum {
    MyEnum myEnum();
}
```

The statement can specify:

```
@MyAnnotationWithEnum(myEnum = enum_value_1) select * from MyEvent
```

5.2.7.3. Built-In Statement Annotations

The name of built-in annotations is not case-sensitive, allowing both @NAME or @name, for example.

The list of built-in statement-level annotations is:

Table 5.2. Built-In Statement Annotations

Name	Purpose and Attributes	Example
Name	Provides a statement name. Attributes are: value : Statement name.	@Name("MyStatementName")
Description	Provides a statement description. Attributes are: value : Statement description.	@Description("Place statement description here.")
Tag	For tagging a statement with additional information. Attributes are: name : Tag name. value : Tag value.	@Tag(name= "MyTagName" , value= "MyTagValue")
Priority	Applicable when an event (or schedule) matches filter criteria for multiple statements: Defines the order of statement processing (requires an runtime-level setting). Attributes are: value : priority value.	@Priority(10)
Drop	Applicable when an event (or schedule) matches filter criteria for multiple statements, drops the event after.	@Drop

Name	Purpose and Attributes	Example
	<p>processing the statement (requires a runtime-level setting).</p> <p>No attributes.</p>	
Hint	<p>For providing one or more hints toward how the runtime should execute a statement. Attributes are:</p> <p>value : A comma-separated list of one or more case-insensitive keywords.</p>	<pre>@Hint('iterate_only')</pre>
Hook	<p>Use this annotation to register one or more statement-specific hooks providing a hook type for each individual hook, such as for SQL parameter, column or row conversion.</p> <p>Attributes are the hook <code>type</code> and the hook itself (usually a import or class name):</p>	<pre>@Hook(type=HookType.SQLCOL, hook='MyDBTypeConvertor')</pre>
Audit	<p>Causes the runtime to output detailed processing information for a statement.</p> <p>optional value : A comma-separated list of one or more case-insensitive keywords.</p>	<pre>@Audit</pre>
EventRepresentation	<p>Causes the compiler to use a specific event representation for output and internal event types.</p>	<p>For Object-Array:</p> <pre>@EventRepresentation(objectarray)</pre> <p>For JSON:</p> <pre>@EventRepresentation(json)</pre> <p>For Map:</p> <pre>@EventRepresentation(map)</pre> <p>For Avro:</p> <pre>@EventRepresentation(avro)</pre>

Name	Purpose and Attributes	Example
IterableUnbound	For use when iterating statements with unbound streams, instructs the compiler to retain the last event for iterating.	@IterableUnbound

The following example statement specifies some of the built-in annotations in combination:

```
@Name("RevenuePerCustomer")
@Description("Outputs revenue per customer considering all events encountered
so far.")
@Tag(name="grouping", value="customer")

select customerId, sum(revenue) from CustomerRevenueEvent
```

5.2.7.4. @Name

Use the @Name EPL annotation to specify a statement name within the statement itself, as an alternative to specifying the statement name via API.

If your application is also providing a statement name through the API, the statement name provided through the API overrides the annotation-provided statement name.

Example:

```
@Name("SecurityFilter1") select * from SecurityFilter(ip="127.0.0.1")
```

5.2.7.5. @Description

Use the @Description annotation to add a description text.

Example:

```
@Description('This statement filters localhost.') select * from
SecurityFilter(ip="127.0.0.1")
```

5.2.7.6. @Tag

Use the @Tag EPL annotation to tag statements with name-value pairs, effectively adding a property to the statement. The attributes `name` and `value` are of type string.

Example:

```
@Tag(name='ip_sensitive', value='Y')
```

```
@Tag(name='author', value='Jim')
select * from SecurityFilter(ip="127.0.0.1")
```

5.2.7.7. @Priority

This annotation only takes effect if the runtime-level setting for prioritized execution is set via configuration, as described in [Section 17.6.10, “Runtime Settings Related to Execution of Statements”](#).

Use the @Priority EPL annotation to tag statements with a priority value. The default priority value is zero (0) for all statements. When an event (or single timer execution) requires processing the event for multiple statements, processing begins with the highest priority statement and ends with the lowest-priority statement.

Example:

```
@Priority(10) select * from SecurityFilter(ip="127.0.0.1")
```

5.2.7.8. @Drop

This annotation only takes effect if the runtime-level setting for prioritized execution is set via configuration, as described in [Section 17.6.10, “Runtime Settings Related to Execution of Statements”](#).

Use the @Drop EPL annotation to tag statements that preempt all other same or lower-priority statements. When an event (or single timer execution) requires processing the event for multiple statements, processing begins with the highest priority statement and ends with the first statement marked with @Drop, which becomes the last statement to process that event.

Unless a different priority is specified, the statement with the @Drop EPL annotation executes at priority 1. Thereby @Drop alone is an effective means to remove events from a stream.

Example:

```
@Drop select * from SecurityFilter(ip="127.0.0.1")
```

5.2.7.9. @Hint

A hint can be used to provide tips for the runtime to affect statement execution. Hints change performance or memory-use of a statement but generally do not change its output.

The string value of a Hint annotation contains a keyword or a comma-separated list of multiple keywords. Hint keywords are case-insensitive. A list of hints is available in [Section 24.2.22, “Consider Using Hints”](#).

Example:

```
@Hint('disable_reclaim_group')
select ipaddress, count(*) from SecurityFilter#time(60 sec) group by ipaddress
```

5.2.7.10. @Hook

A hook is for attaching a callback to a statement.

The type value of a `@Hook` annotation defines the type of hook and the `hook` value is an imported or fully-qualified class name providing the callback implementation.

5.2.7.11. @Audit

Causes the runtime to output detailed information about the statements processing. Described in more detail at [Section 15.12.1, “@Audit Annotation”](#).

5.2.7.12. @EventRepresentation

Use the `@EventRepresentation` annotation with `create schema` and `create window` statements to instruct the compiler to use a specific event representation for the schema or named window.

Use the `@EventRepresentation` annotation with `select` statements to instruct the compiler to use a specific event representation for output events.

When no `@EventRepresentation` annotation is specified, the compiler uses the default event representation as configured, see [Section 17.4.9.1, “Default Event Representation”](#).

Use `@EventRepresentation(objectarray)` to instruct the compiler to use object-array events.

Use `@EventRepresentation(json)` to instruct the compiler to use JSON events.

Use `@EventRepresentation(avro)` to instruct the compiler to use Avro events.

Use `@EventRepresentation(map)` to instruct the compiler to use Map events.

5.2.7.13. @IterableUnbound

Causes the compiler, for statements with unbound streams, to retain the last event for the purpose of iterating using the iterator API. A compiler configuration is also available as described in [Section 17.5.2.1, “Iterator Behavior For Unbound Streams”](#).

5.2.8. Expression Alias

An expression alias simply assigns a name to an expression. The alias name can be used in other expressions to refer to that expression, without the need to duplicate the expression.

The expression alias obtains its scope from where it is used. Parameters cannot be provided. A second means to sharing expressions is the expression declaration as described next, which allows passing parameters and is more tightly scoped.

A statement can contain and refer to any number of expression aliases. For expressions aliases that are visible across multiple statements please consult [Section 5.18.1, “Global Expression Aliases”](#) that explains the `create expression` clause.

The syntax for an expression alias is:

```
expression expression_name alias for { expression }
```

An expression alias consists of the expression name and an expression in curly braces. The return type of the expression is determined by the compiler and need not be specified. The scope is automatic and determined by where the alias name is used therefore parameters cannot be specified.

This example declares an expression alias `twoPI` that substitutes `Math.PI * 2`:

```
expression twoPI alias for { Math.PI * 2 }
select twoPI from SampleEvent
```

The next example specifies an alias `countPeople` and uses the alias in the `select`-clause and the `having`-clause:

```
expression countPeople alias for { count(*) }
select countPeople from EnterRoomEvent#time(10 seconds) having countPeople > 10
```

When using the expression alias in an expression, empty parentheses can optionally be specified. In the above example, `countPeople()` can be used instead and equivalently.

The following scope rules apply for expression aliases:

1. Expression aliases do not remove implicit limitations: For example, aggregation functions cannot be used in a filter expression even if assigned an alias.

5.2.9. Expression Declaration

A statement can contain expression declarations. Expressions that are common to multiple places in the same statement can be moved to a named expression declaration and reused within the same statement without duplicating the expression itself.

For declaring expressions that are visible across multiple statements i.e. globally visible expressions please consult [Section 5.18.2, “Global Expression Declarations”](#) that explains the `create expression` clause.

The runtime may cache declared expression result values and reuse cache values, see [Section 17.6.10.5, “Declared Expression Value Cache Size”](#).

An expression declaration follows the lambda-style expression syntax. This syntax was chosen as it typically allows for a shorter and more concise expression body that can be easier to read than most procedural code.

The syntax for an expression declaration is:

```
expression expression_name { expression_body }
```

An expression declaration consists of the expression name and an expression body. The *expression_name* is any identifier. The *expression_body* contains optional parameters and the expression. The parameter types and the return type of the expression is determined by the compiler and do not need to be specified.

Parameters to a declared expression can be:

- Any expression. For example `expression E {(v1,v2) => max(v1,v2)} select E(1, 2) from OrderItemEvent.`
- A stream name defined in the `from`-clause. For example `expression E {e => max(e.price,e.quote)} select E(o) from OrderItemEvent as o.`
- A pattern tag name. For example `expression E {e => max(e.price,e.quote)} select E(o) from pattern[timer:interval(10) or o=OrderItemEvent].`
- A wildcard (*). For example `expression E {e => max(e.price,e.quote)} select E(*) from OrderItemEvent.`

Use wildcard to pass the event itself to the expression. In a join or subquery, or more generally in an expression where multiple streams or pattern tags are available, the EPL must specify the stream name or pattern tag name and cannot use wildcard.

In the expression body the `=>` lambda operator reads as "goes to" (`->` may be used and is equivalent). The left side of the lambda operator specifies the input parameters (if any) and the right side holds the expression. The lambda expression `x => x * x` is read "x goes to x times x".

In the expression body, if your expression takes no parameters, you may simply specify the expression and do not need the `=>` lambda operator.

If your expression takes one parameters, specify the input parameter name followed by the `=>` lambda operator and followed by the expression. The synopsis for use with a single input parameter is:

```
expression_body: input_param_name => expression
```

If your expression takes two or more parameters, specify the input parameter names in parenthesis followed by the => lambda operator followed by the expression. The synopsis for use with a multiple input parameter is:

```
expression_body: (input_param [,input_param [...]]) => expression
```

The following example declares an expression that returns two times PI (ratio of the circumference of a circle to its diameter) and demonstrates its use in a select-clause:

```
expression twoPI { Math.PI * 2 } select twoPI() from SampleEvent
```

The parentheses are optional when the expression accepts no parameters. The below is equivalent to the previous example:

```
expression twoPI { Math.PI * 2 } select twoPI from SampleEvent
```

The next example declares an expression that accepts one parameter: a MarketData event. The expression computes a new "mid" price based on the buy and sell price:

```
expression midPrice { x => (x.buy + x.sell) / 2 }  
select midPrice(md) from MarketDataEvent as md
```

The variable name can be left off if event property names resolve without ambiguity.

This example EPL removes the variable name x:

```
expression midPrice { x => (buy + sell) / 2 }  
select midPrice(md) from MarketDataEvent as md
```

The next example EPL specifies wildcard instead:

```
expression midPrice { x => (buy + sell) / 2 }  
select midPrice(*) from MarketDataEvent
```

A further example that demonstrates two parameters is listed next. The example joins two streams and uses the price value from MarketDataEvent and the sentiment value of NewsEvent to compute a weighted sentiment:

```
expression weightedSentiment { (x, y) => x.price * y.sentiment }
```



```
select weightedSentiment(md, news)
from MarketDataEvent#lastevent as md, NewsEvent#lastevent news
```

Any expression can be used in the expression body including aggregations, variables, subqueries or further declared or alias expressions. Sub-queries, when used without `in` or `exists`, must be placed within parenthesis.

An example subquery within an expression declaration is shown next:

```
expression newsSubq { md ->
  (select sentiment from NewsEvent#unique(symbol) where symbol = md.symbol)
}
select newsSubq(mdstream)
from MarketDataEvent mdstream
```

When using expression declarations please note these limitations:

1. Parameters to a declared expression can only be a stream name, pattern tag name or wildcard (*).
2. Expression declarations do not remove implicit limitations: For example, aggregation functions cannot be used in a filter expression even if using an expression declaration.

The following scope rules apply for declared expressions:

1. The scope of the expression body of a declared expression only includes the parameters explicitly listed. Consider using an expression alias instead.

5.2.10. Inlined-Class Declaration

EPL allows adding Java-language (C# for NESper) class code directly into the EPL. Please see [Chapter 18, Inlined Classes](#) for more information.

5.2.11. Script Declaration

EPL allows the use of scripting languages. Any scripting language that supports JSR 223 and also the MVEL scripting language can be specified in EPL.

Please see [Chapter 19, Script Support](#) for more information.

5.2.12. Referring to a Context

You may refer to a context in the EPL text by specifying the `context` keyword followed by a context name. Context are described in more detail at [Chapter 4, Context and Context Partitions](#)

The effect of referring to a context is that your statement operates according to the context dimensional information as declared for the context.

The synopsis is:

```
... context context_name ...
```

You may refer to a context in all statements except for the following types of statements:

1. `create schema` for declaring event types.
2. `create variable` for declaring a variable.
3. `create index` for creating an index on a named window or table.
4. `update istream` for updating insert stream events.

5.2.13. Composite Keys and Array Values as Keys

EPL allows composite keys that consist of two or more expressions (or fields or columns or more generally expressions) that identify an occurrence. EPL also allows keys to be of type array.

This is applicable in each place there is an opportunity to provide key expressions. It is thus applicable to the `group-by` clause including `rollup`, data windows with keys (such as `#unique`, `#firstunique`, `#groupwin`, `#rank`), `partition-by` for keyed segmented contexts, contexts with `distinct`, the `select`-clause `distinct` keyword, the query planner when planning implicit and explicit indexes, `create index`, `every-distinct`, the `partition-by` clause for match-recognize, table column keyed-access expressions, the `for`-clause for grouped delivery and the `distinctOf` enumeration method as well as the `distinct` keyword for aggregation functions.

For expressions returning array of primitive the compiler uses `Arrays.hashCode` and `Arrays.equals`. For expressions returning array of object the compiler uses `Arrays.deepHashCode` and `Arrays.deepEquals`.

5.3. Choosing Event Properties and Events: The *Select* Clause

The `select` clause is required in all statements. The `select` clause can be used to select all properties via the wildcard `*`, or to specify a list of event properties and expressions. The `select` clause defines the event type (event property names and types) of the resulting events published by the statement, or pulled from the statement via the iterator methods.

The `select` clause also offers optional `istream`, `irstream` and `rstream` keywords to control whether input stream, remove stream or input and remove stream events are posted to `UpdateListener` instances and observers to a statement. By default, the runtime provides only

the insert stream to listener and observers. See [Section 17.5.4, “Compiler Settings Related to Stream Selection”](#) on how to change the default.

The syntax for the `select` clause is summarized below.

```
select [istream | irstream | rstream] [distinct] * | expression_list ...
```

The `istream` keyword is the default, and indicates that the runtime only delivers insert stream events to listeners and observers. The `irstream` keyword indicates that the runtime delivers both insert and remove stream. Finally, the `rstream` keyword tells the runtime to deliver only the remove stream.

The `distinct` keyword outputs only unique rows depending on the column list you have specified after it. It must occur after the `select` and after the optional stream keywords, as described in more detail below.

5.3.1. Choosing the Event Itself: Select *

The syntax for selecting the event itself is:

```
select * from stream_def
```

The following statement selects `StockTick` events for the last 30 seconds of IBM stock ticks.

```
select * from StockTick(symbol='IBM')#time(30 sec)
```

You may well be asking: Why does the statement specify a time window here? First, the statement is meant to demonstrate the use of `*` wildcard. When the runtime pushes statement results to your listener and as the statement does not select remove stream events via `rstream` keyword, the listener receives only new events and the time window could be left off. By adding the time window the pull API (iterator API or JDBC driver) returns the last 30 seconds of events.

The `*` wildcard and expressions can also be combined in a `select` clause. The combination selects all event properties and in addition the computed values as specified by any additional expressions that are part of the `select` clause. Here is an example that selects all properties of stock tick events plus a computed product of price and volume that the statement names 'pricevolume':

```
select *, price * volume as pricevolume from StockTick
```

When using wildcard (`*`), the runtime does not actually read or copy your event properties out of your event or events, neither does it copy the event object. It simply wraps your native type in an `EventBean` interface. Your application has access to the underlying event object through the `getUnderlying` method and has access to the property values through the `get` method.

In a join statement, using the `select *` syntax selects one event property per stream to hold the event for that stream. The property name is the stream name in the `from` clause.

5.3.2. Choosing Specific Event Properties

To choose the particular event properties to return:

```
select event_property [, event_property] [, ...] from stream_def
```

The following statement simply selects the symbol and price properties of stock ticks, and the total volume for stock tick events in a 60-second time window.

```
select symbol, price, sum(volume) from StockTick(symbol='IBM')#time(60 sec)
```

5.3.3. Expressions

The `select` clause can contain one or more expressions.

```
select expression [, expression] [, ...] from stream_def
```

The following statement selects the volume multiplied by price for a time batch of the last 30 seconds of stock tick events.

```
select volume * price from StockTick#time_batch(30 sec)
```

5.3.4. Renaming Event Properties

Event properties and expressions can be renamed using below syntax.

```
select [event_property | expression] [as] identifier [, ...]
```

The following statement selects volume multiplied by price and specifies the name `volPrice` for the resulting column.

```
select volume * price as volPrice from StockTick
```

Identifiers cannot contain the "." (dot) character, i.e. "vol.price" is not a valid identifier for the rename syntax.

The `as` keyword is optional. The following EPL is therefore equivalent to above:

```
select volume * price volPrice from StockTick
```

5.3.5. Choosing Event Properties and Events in a Join

If your statement is joining multiple streams, you may specify property names that are unique among the joined streams, or use wildcard (*) as explained earlier.

In case the property name in your `select` or other clauses is not unique considering all joined streams, you will need to use the name of the stream as a prefix to the property.

This example is a join between the two streams `StockTick` and `News`, respectively named as 'tick' and 'news'. The example selects from the `StockTick` event the `symbol` value using the 'tick' stream name as a prefix:

```
select tick.symbol from StockTick#time(10) as tick, News#time(10) as news
where news.symbol = tick.symbol
```

Use the wildcard (*) selector in a join to generate a property for each stream, with the property value being the event itself. The output events of the statement below have two properties: the 'tick' property holds the `StockTick` event and the 'news' property holds the `News` event:

```
select * from StockTick#time(10) as tick, News#time(10) as news
```

The following syntax can also be used to specify what stream's properties to select:

```
select stream_name.* [as name] from ...
```

The selection of `tick.*` selects the `StockTick` stream events only:

```
select tick.* from StockTick#time(10) as tick, News#time(10) as news
where tick.symbol = news.symbol
```

The next example uses the `as` keyword to name each stream's joined events. This instructs the compiler to create a property for each named event:

```
select tick.* as stocktick, news.* as news
from StockTick#time(10) as tick, News#time(10) as news
where stock.symbol = news.symbol
```

The output events of the above example have two properties 'stocktick' and 'news' that are the StockTick and News events.

The stream name itself, as further described in [Section 5.4.5, “Using the Stream Name”](#), may be used within expressions or alone.

This example passes events to a user-defined function named `compute` and also shows `insert-into` to populate an event stream of combined events:

```
insert into TickNewStream select tick, news, MyLib.compute(news, tick) as result
from StockTick#time(10) as tick, News#time(10) as news
where tick.symbol = news.symbol
```

```
// second statement that uses the TickNewStream stream
select tick.price, news.text, result from TickNewStream
```

In summary, the `stream_name.*` streamname wildcard syntax can be used to select a stream as the underlying event or as a property, but cannot appear within an expression. While the `stream_name` syntax (without wildcard) always selects a property (and not as an underlying event), and can occur anywhere within an expression.

5.3.6. Choosing Event Properties and Events From a Pattern

If your statement employs pattern expressions, then your pattern expression tags events with a tag name. Each tag name becomes available for use as a property in the `select` clause and all other clauses.

For example, here is a very simple pattern that matches on every StockTick event received within 30 seconds after start of the statement. The sample selects the symbol and price properties of the matching events:

```
select tick.symbol as symbol, tick.price as price
from pattern[every tick=StockTick where timer:within(10 sec)]
```

The use of the wildcard selector, as shown in the next statement, creates a property for each tagged event in the output. The next statement outputs events that hold a single 'tick' property whose value is the event itself:

```
select * from pattern[every tick=StockTick where timer:within(10 sec)]
```

You may also select the matching event itself using the `tick.*` syntax. The runtime outputs the StockTick event itself to listeners:

```
select tick.* from pattern[every tick=StockTick where timer:within(10 sec)]
```

A tag name as specified in a pattern is a valid expression itself. This example uses the `insert into` clause to make available the events matched by a pattern to further statements:

```
// make a new stream of ticks and news available
insert into StockTickAndNews
select tick, news from pattern [every tick=StockTick ->
news=News(symbol=tick.symbol)]
```

```
// second statement to select from the stream of ticks and news
select tick.symbol, tick.price, news.text from StockTickAndNews
```

5.3.7. Selecting `Insert` and `Remove` Stream Events

The optional `istream`, `irstream` and `rstream` keywords in the `select` clause control the event streams posted to listeners and observers to a statement.

If neither keyword is specified, and in the default configuration, the runtime posts only insert stream events via the `newEvents` parameter to the `update` method of `UpdateListener` instances listening to the statement. The runtime does not post remove stream events, by default.

The insert stream consists of the events entering the respective window(s) or stream(s) or aggregations, while the remove stream consists of the events leaving the respective window(s) or the changed aggregation result. See [Chapter 2, Basic Concepts](#) for more information on insert and remove streams.

The runtime posts remove stream events to the `oldEvents` parameter of the `update` method only if the `irstream` keyword occurs in the `select` clause. This behavior can be changed via configuration as described in [Section 17.5.4, “Compiler Settings Related to Stream Selection”](#).

By specifying the `istream` keyword you can instruct the runtime to only post insert stream events via the `newEvents` parameter to the `update` method on listeners. The runtime will then not post any remove stream events, and the `oldEvents` parameter is always a null value.

By specifying the `irstream` keyword you can instruct the runtime to post both insert stream and remove stream events.

By specifying the `rstream` keyword you can instruct the runtime to only post remove stream events via the `newEvents` parameter to the `update` method on listeners. The runtime will then not post any insert stream events, and the `oldEvents` parameter is also always a null value.

The following statement selects only the events that are leaving the 30 second time window.

```
select rstream * from StockTick#time(30 sec)
```

The `istream` and `rstream` keywords in the `select` clause are matched by same-name keywords available in the `insert into` clause. While the keywords in the `select` clause control the event stream posted to listeners to the statement, the same keywords in the `insert into` clause specify the event stream that the runtime makes available to other statements.

5.3.8. Select `Distinct`

The optional `distinct` keyword removes duplicate output events from output. The keyword must occur after the `select` keyword and after the optional `istream` keyword.

The `distinct` keyword in your `select` instructs the runtime to consolidate, at time of output, the output event(s) and remove output events with identical property values. Duplicate removal only takes place when two or more events are output together at any one time, therefore `distinct` is typically used with a batch data window, output rate limiting, fire-and-forget queries, on-select or iterator pull API.

If two or more output event objects have same property values for all properties of the event, the `distinct` removes all but one duplicated event before outputting events to listeners. Indexed, nested and mapped properties are considered in the comparison, if present in the output event. Further detail on key expressions can be found at [Section 5.2.13, “Composite Keys and Array Values as Keys”](#).

The next example outputs sensor ids of temperature sensor events, but only every 10 seconds and only unique sensor id values during the 10 seconds:

```
select distinct sensorId from TemperatureSensorEvent output every 10 seconds
```

Use `distinct` with wildcard (*) to remove duplicate output events considering all properties of an event.

This example statement outputs all distinct events either when 100 events arrive or when 10 seconds passed, whichever occurs first:

```
select distinct * from TemperatureSensorEvent#time_length_batch(10, 100)
```

When selecting nested, indexed, mapped or dynamic properties in a `select` clause with `distinct`, it is relevant to know that the comparison uses hash code and the Java `equals` semantics.

5.3.9. Transposing an Expression Result to a Stream

For transposing an instance of a Java object returned by an expression to a stream use the transpose function as described in [Section 10.4, “Select-Clause Transpose Function”](#).

5.3.10. Selecting EventBean Instead of Underlying Event

By default, for certain select-clause expressions that output events or a collection of events, the runtime outputs the underlying event objects. The term *outputs* means the data passed to listeners, subscribers and inserted-into into another stream via insert-into.

The select-clause expressions for which underlying event objects are output by default are:

- Event Aggregation Functions (including extension API)
- The `previous` family of single-row functions
- Subselects that select events
- Declared expressions and enumeration methods that operate on any of the above

To have the runtime output `EventBean` instance(s) instead, add `@eventbean` to the relevant expressions of the `select-clause`.

The sample EPL shown below outputs current data window contents as `EventBean` instances into the stream `OutStream`, thereby statements consuming the stream may operate on such instances:

```
insert into OutStream
select prevwindow(s0) @eventbean as win
from MyEvent#length(2) as s0
```

The next EPL consumes the stream and selects the last event:

```
select win.lastOf() from OutStream
```

It is not necessary to use `@eventbean` if an event type by the same name (`OutStream` in the example) is already declared and a property exist on the type by the same name (`win` in this example) and the type of the property is the event type (`MyEvent` in the example) returned by the expression. This is further described in [Section 5.10.8, “Select-Clause Expression and Inserted-Into Column Event Type”](#).

5.4. Specifying Event Streams: The *From* Clause

The `from` clause is required in all statements. It specifies one or more event streams, named windows or tables. Each event stream, named window or table can optionally be given a name by means of the `as` keyword.

```
from stream_def [as name] [unidirectional] [retain-union | retain-  
intersection]  
    [, stream_def [as stream_name]] [, ...]
```

The event stream definition *stream_def* as shown in the syntax above can consists of either a filter-based event stream definition or a pattern-based event stream definition.

For joins and outer joins, specify two or more event streams. Joins and the `unidirectional` keyword are described in more detail in [Section 5.12, “Joining Event Streams”](#). Joins are handy when multiple streams or patterns can trigger output and outer joins can be used to union and connect streams via `or`.

EPL supports joins against relational databases for access to historical or reference data as explained in [Section 5.13, “Accessing Relational Data via SQL”](#). EPL can also join results returned by an arbitrary invocation, as discussed in [Section 5.14, “Accessing Non-Relational Data via Method, Script or UDF Invocation”](#).

The *stream_name* is an optional identifier assigned to the stream. The stream name can itself occur in any expression and provides access to the event itself from the named stream. Also, a stream name may be combined with a method name to invoke instance methods on events of that stream.

For all streams with the exception of historical sources your statement may employ data windows as outlined below. The `retain-intersection` (the default) and `retain-union` keywords build a union or intersection of two or more data windows as described in [Section 5.4.4, “Multiple Data Windows”](#).

5.4.1. Filter-Based Event Streams

The *stream_def* syntax for a filter-based event stream is as below:

```
event_stream_name [(filter_criteria)] [contained_selection] [#window_spec]  
    [#window_spec] [...]
```

The *event_stream_name* is either the name of an event type or name of an event stream populated by an `insert into` statement or the name of a named window or table.

The *filter_criteria* is optional and consists of a list of expressions filtering the events of the event stream, within parenthesis after the event stream name. Filter criteria cannot be specified for tables.

The *contained_selection* is optional and is for use with coarse-grained events that have properties that are themselves one or more events, see [Section 5.19, “Contained-Event Selection”](#) for the synopsis and examples. Contained-event cannot be specified for tables.

The *window_spec* specify one or more data windows. Data windows cannot be specified for named windows and tables. Instead of the `#` hash character the `.` dot character can also be used, however the dot character requires the data window namespace.

The following statement shows event type, filter criteria and data windows combined in one statement. It selects all event properties for the last 100 events of IBM stock ticks for volume. In the example, the event type is `StockTick`. The expression filters for events where the property `symbol` has a value of "IBM". This statement specifies a length window and thus computes the total volume of the last 100 events.

```
select sum(volume) from StockTick(symbol='IBM')#length(100)
```

The runtime filters out events in an event stream as defined by filter criteria that are placed in parenthesis, before it sends events to the data window(s) (if any). Thus, compared to search conditions in a `where` clause, filter criteria remove unneeded events early. In the above example, events with a symbol other than IBM do not enter the length window.

5.4.1.1. Specifying an Event Type

The simplest form of filter is a filter for events of a given type without any conditions on the event property values. This filter matches any event of that type regardless of the event's properties. The example below is such a filter.

```
select * from RfidEvent
```

Instead of the fully-qualified Java class name any other event name can be mapped via Configuration to a Java class, making the resulting statement more readable:

```
select * from RfidEvent
```

Interfaces and superclasses are also supported as event types. In the below example `IRfidReadable` is an interface class.

```
select * from org.myorg.rfid.IRfidReadable
```

5.4.1.2. Specifying Filter Criteria

The filtering criteria to filter for events with certain event property values are placed within parenthesis after the event type name:

```
select * from RfidEvent(category="Perishable")
```

All expressions can be used in filters, including static methods that return a boolean value:

```
select * from RfidEvent(MyRFIDLib.isInRange(x, y) or (x < 0 and y < 0))
```

Filter expressions can be separated via a single comma ','. The comma represents a logical AND between filter expressions:

```
select * from RfidEvent(zone=1, category=10)
...is equivalent to...
select * from RfidEvent(zone=1 and category=10)
```

The compiler analyzes the filter expressions and determines the filter indexes. This process is further described at [Section 15.18, “Compiler Filter Expression Analysis”](#). The runtime uses the compiler output to build, maintain and use filter indexes, please see [Section 2.18.2, “Filter Indexes”](#). The compiler can translate the following operators, including combinations of these operators connected via `and` and `or`, into filter indexes:

- equals =
- not equals !=
- comparison operators < , > , >=, <=
- ranges
 - use the `between` keyword for a closed range where both endpoints are included
 - use the `in` keyword and round () or square brackets [] to control how endpoints are included
 - for inverted ranges use the `not` keyword and the `between` or `in` keywords
- list-of-values checks using the `in` keyword or the `not in` keywords followed by a comma-separated list of values
- single-row functions that have been registered and are invoked via function name (see user-defined functions) and that either return a boolean value or that have their return value compared to a constant
- the `and` and `or` logical operators

At compile time the compiler scans filter expressions for sub-expressions that can be placed into filter indexes. Indexing filter values to match event properties of incoming events enables the runtime to match incoming events faster, especially if your application creates a large number of statements or context partitions or requires many similar filters. The use of comma or logical `and` in filter expressions is fully equivalent.

5.4.1.3. Filtering Ranges

Ranges come in the following 4 varieties. The use of round () or square [] bracket dictates whether an endpoint is included or excluded. The low point and the high-point of the range are separated by the colon : character.

- Open ranges that contain neither endpoint (low:high)
- Closed ranges that contain both endpoints [low:high]. The equivalent 'between' keyword also defines a closed range.

- Half-open ranges that contain the low endpoint but not the high endpoint `[low:high)`
- Half-closed ranges that contain the high endpoint but not the low endpoint `(low:high]`

The next statement shows a filter specifying a range for `x` and `y` values of RFID events. The range includes both endpoints therefore uses `[]` hard brackets.

```
mypackage.RfidEvent(x in [100:200], y in [0:100])
```

The `between` keyword is equivalent for closed ranges. The same filter using the `between` keyword is:

```
mypackage.RfidEvent(x between 100 and 200, y between 0 and 50)
```

The `not` keyword can be used to determine if a value falls outside a given range:

```
mypackage.RfidEvent(x not in [0:100])
```

The equivalent statement using the `between` keyword is:

```
mypackage.RfidEvent(x not between 0 and 100)
```

5.4.1.4. Filtering Sets of Values

The `in` keyword for filter criteria determines if a given value matches any value in a list of values.

In this example you are interested in RFID events where the category matches any of the given values:

```
mypackage.RfidEvent(category in ('Perishable', 'Container'))
```

By using the `not in` keywords you can filter events with a property value that does not match any of the values in a list of values:

```
mypackage.RfidEvent(category not in ('Household', 'Electrical'))
```

5.4.1.5. Filter Limitations

The following restrictions apply to filter criteria:

- Range and comparison operators require the event property to be of a numeric or string type.
- Aggregation functions are not allowed within filter expressions.
- The `prev` previous event function and the `prior` prior event function cannot be used in filter expressions.

5.4.2. Pattern-Based Event Streams

Event pattern expressions can also be used to specify one or more event streams in a statement. For pattern-based event streams, the event stream definition *stream_def* consists of the keyword `pattern` and a pattern expression in brackets `[]`. The syntax for an event stream definition using a pattern expression is below. As in filter-based event streams you can specify data windows.

```
pattern [pattern_expression] [#window_spec] [#window_spec] [...]
```

The next statement specifies an event stream that consists of both stock tick events and trade events. The example tags stock tick events with the name "tick" and trade events with the name "trade".

```
select * from pattern [every tick=StockTickEvent or every trade=TradeEvent]
```

This statement generates an event every time the runtime receives either one of the event types. The generated events resemble a map with "tick" and "trade" keys. For stock tick events, the "tick" key value is the underlying stock tick event, and the "trade" key value is a null value. For trade events, the "trade" key value is the underlying trade event, and the "tick" key value is a null value.

Lets further refine this statement adding a data window the gives us the last 30 seconds of either stock tick or trade events. Lets also select prices and a price total.

```
select tick.price as tickPrice, trade.price as tradePrice,  
       sum(tick.price) + sum(trade.price) as total  
from pattern [every tick=StockTickEvent or every trade=TradeEvent]#time(30 sec)
```

Note that in the statement above `tickPrice` and `tradePrice` can each be null values depending on the event processed. Therefore, an aggregation function such as `sum(tick.price + trade.price)` would always return null values as either of the two price properties are always a null value for any event matching the pattern. Use the `coalesce` function to handle null values, for example: `sum(coalesce(tick.price, 0) + coalesce(trade.price, 0))`.



Note

When used with patterns, specifying a data window defines what pattern matches to retain in memory for the purpose of joins or for using the iterator API.

When used with patterns, specifying a data window does not limit pattern matches to events in the window. The `match_recognize` pattern matching however does limit matches to events retained by a data window.

5.4.3. Specifying Data Windows

Data windows retain a subset of events. They provide an retain/expiry policy for events and the runtime automatically removes events according to the retain/expiry policy. Data windows can be grouped and data windows can be intersected or unioned. See the section [Chapter 14, EPL Reference: Data Windows](#) on the data windows available. Data windows can take parameters. Any expressions can be a parameter, with limitations.

The example statement below outputs a count per expressway for car location events (contains information about the location of a car on a highway) of the last 60 seconds:

```
select expressway, count(*) from CarLocEvent#time(60)
group by expressway
```

The next example declares `#groupwin` and a `#length` window to indicate that there is a separate length window per car id:

```
select cardId, expressway, direction, segment, count(*)
from CarLocEvent#groupwin(cardId)#length(4)
group by cardId, expressway, direction, segment
```

The `#groupwin(cardId)` groups car location events by car id. The `#length(4)` keeps a length window of the 4 last events, with one separate length window for each car id. The example reports the number of events per car id and per expressway, direction and segment considering the last 4 events for each car id only.

The special keep-all window keeps all events: It does not expire events and does not provide a remove stream, i.e. events are not removed from the keep-all window unless by means of `on-delete` or `on-merge` or `fire-and-forget delete`.

5.4.4. Multiple Data Windows

Data windows provide an expiry policy that indicates when to remove events from the data window, with the exception of the keep-all data window which has no expiry policy and the `#groupwin` grouped-window for allocating a new data window per group.

EPL allows the freedom to use multiple data windows onto a stream and thus combine expiry policies. Combining data windows into an intersection (the default) or a union can achieve a useful

strategy for retaining events and expiring events that are no longer of interest. Named windows, tables and `on-merge` and `on-delete` provide an additional degree of freedom.

In order to combine two or more data windows there is no keyword required. The *retain-intersection* keyword is the default and the *retain-union* keyword may instead be provided for a stream.

The concept of union and intersection come from Set mathematics. In the language of Set mathematics, two sets A and B can be "added" together: The intersection of A and B is the set of all things which are members of both A and B, i.e. the members two sets have "in common". The union of A and B is the set of all things which are members of either A or B.

Use the *retain-intersection* (the default) keyword to retain an intersection of all events as defined by two or more data windows. All events removed from any of the intersected data windows are entered into the remove stream. This is the default behavior if neither retain keyword is specified.

Use the *retain-union* keyword to retain a union of all events as defined by two or more data windows. Only events removed from all data windows are entered into the remove stream.

The next example statement totals the price of OrderEvent events in a union of the last 30 seconds and unique by product name:

```
select sum(price) from OrderEvent#time(30 sec)#unique(productName) retain-union
```

In the above statement, all OrderEvent events that are either less than 30 seconds old or that are the last event for the product name are considered.

Here is an example statement totals the price of OrderEvent events in an intersection of the last 30 seconds and unique by product name:

```
select sum(price) from OrderEvent#time(30 sec)#unique(productName) retain-  
intersection
```

In the above statement, only those OrderEvent events that are both less than 30 seconds old and are the last event for the product name are considered. The number of events that the runtime retains is the number of unique events per product name in the last 30 seconds (and not the number of events in the last 30 seconds).

For an intersection the runtime retains the minimal number of events representing that intersection. Thus when combining a time window of 30 seconds and a last-event window, for example, the number of events retained at any time is zero or one event (and not 30 seconds of events).

When combining a batch window into an intersection with another data window the combined data window gains batching semantics: Only when the batch criteria is fulfilled does the runtime provide the batch of intersecting insert stream events. Multiple batch data windows may not be combined into an intersection.

The table below provides additional examples for data window intersections:

Table 5.3. Intersection Data Window Examples

Example	Description
<code>#time(30)#firstunique(keys)</code>	Retains 30 seconds of events unique per <code>keys</code> value (first event per value).
<code>#firstlength(3)#firstunique(keys)</code>	Retains the first 3 events that are also unique per <code>keys</code> value.
<code>#time_batch(N seconds)#unique(keys)</code>	Posts a batch every N seconds that contains the last of each unique event per <code>keys</code> value.
<code>#time_batch(N seconds)#firstunique(keys)</code>	Posts a batch every N seconds that contains the first of each unique event per <code>keys</code> value.
<code>#length_batch(N)#unique(keys)</code>	Posts a batch of unique events (last event per value) when N unique events per <code>keys</code> value are encountered.
<code>#length_batch(N)#firstunique(keys)</code>	Posts a batch of unique events (first event per value) when N unique events per <code>keys</code> value are encountered.

5.4.5. Using the Stream Name

Your `from` clause may assign a name to each stream. This assigned stream name can serve any of the following purposes.

First, the stream name can be used to disambiguate property names. The `stream_name.property_name` syntax uniquely identifies which property to select if property names overlap between streams. Here is an example:

```
select prod.productId, ord.productId from ProductEvent as prod, OrderEvent as ord
```

Second, the stream name can be used with a wildcard (*) character to select events in a join, or assign new names to the streams in a join:

```
// Select ProductEvent only
select prod.* from ProductEvent as prod, OrderEvent
```

```
// Assign column names 'product' and 'order' to each event
select prod.* as product, ord.* as order from ProductEvent as prod, OrderEvent
as ord
```

Further, the stream name by itself can occur in any expression: The runtime passes the event itself to that expression. For example, the runtime passes the `ProductEvent` and the `OrderEvent` to the user-defined function 'checkOrder':

```
select prod.productId, MyFunc.checkOrder(prod, ord)
from ProductEvent as prod, OrderEvent as ord
```

Last, you may invoke an instance method on each event of a stream, and pass parameters to the instance method as well. Instance method calls are allowed anywhere in an expression.

The next statement demonstrates this capability by invoking a method 'computeTotal' on `OrderEvent` events and a method 'getMultiplier' on `ProductEvent` events:

```
select ord.computeTotal(prod.getMultiplier()) from ProductEvent as prod,
OrderEvent as ord
```

Instance methods may also be chained: Your EPL may invoke a method on the result returned by a method invocation.

Assume that your product event exposes a method `getZone` which returns a zone object. Assume that the `Zone` class declares a method `checkZone`. This example statement invokes a method chain:

```
select prod.getZone().checkZone("zone 1") from ProductEvent as prod
```

Use the backwards apostrophe ` (aka. back tick) character to escape stream names in the `from`-clause and in `on-trigger` statements (e.g. `from MyEvent as `order`...`).

5.4.6. The *From*-Clause is Optional

The `from`-clause in EPL is optional and is only required for subqueries. You may compile and deploy EPL statements without a `from`-clause. For example:

```
select 1 as value
```

Such an EPL statement does not output events to listeners or subscribers. However your application may call `iterate` to iterate statement results. See [Section 16.5.4, "Using Iterators"](#).

5.5. Specifying Search Conditions: The *Where* Clause

The `where` clause is an optional clause in statements. Via the `where` clause event streams can be joined and correlated.



Tip

For filtering events in order to remove unwanted events, use filters as part of the `from` clause as described in [Section 5.4.1, “Filter-Based Event Streams”](#) or for patterns in [Section 7.4, “Filter Expressions in Patterns”](#).

Place expressions that remove unwanted events into parenthesis right after the event type, like `... from OrderEvent(fraud.severity = 5 and amount > 500) ...`. There is related information at [Section 2.18.2, “Filter Indexes”](#) and [Section 24.2.5, “Prefer Stream-Level Filtering Over Where-Clause Filtering”](#).

Any expression can be placed in the `where` clause. Typically you would use comparison operators `=`, `<`, `>`, `>=`, `<=`, `!=`, `<>`, `is null`, `is not null` and logical combinations via `and` and `or` for joining, correlating or comparing events. The `where` clause introduces join conditions as outlined in [Section 5.12, “Joining Event Streams”](#).

Some examples are listed below.

```
...where settlement.orderId = order.orderId
```

```
...where exists (select orderId from Settlement#time(1 min) where
settlement.orderId = order.orderId)
```

The following two statements are equivalent since both query filter events by the `amount` property value and both statements do not specify a data window.

```
// preferable: specify filter criteria with the "eventtype(...filters...)"
notation
@name('first') select * from Withdrawal(amount > 200)
```

```
// equivalent only when there is no data window
@name('second') select * from Withdrawal where amount > 200
```

You can control whether the compiler rewrites the second statement to the form of the first statement. If you specify `@Hint('disable_whereexpr_moveto_filter')` you can instruct the compiler to not move the `where`-clause expression into the filter.

5.6. Aggregates and Grouping: The *Group-By* Clause and the *Having* Clause

5.6.1. Using Aggregate Functions

The aggregate functions are further documented in [Section 10.2, “Aggregation Functions”](#). You can use aggregate functions to calculate and summarize data from event properties.

For example, to find out the total price for all stock tick events in the last 30 seconds, type:

```
select sum(price) from StockTickEvent#time(30 sec)
```

Aggregation functions do not require the use of data windows. The examples herein specify data windows for the purpose of example. An alternative means to instruct the runtime when to start and stop aggregating and on what level to aggregate is via context declarations.

For example, to find out the total price for all stock tick events since statement start, type:

```
select sum(price) from StockTickEvent
```

Here is the syntax for aggregate functions:

```
aggregate_function( [all | distinct] expression [,expression [...]]  
[, group_by:local_group_by] [, filter:filter_expression] )
```

You can apply aggregate functions to all events in an event stream window or to one or more groups of events (i.e. `group by`). From each set of events to which an aggregate function is applied the runtime generates a single value.

`Expression` is usually an event property name. However it can also be a constant, function, or any combination of event property names, constants, and functions connected by arithmetic operators.

You can provide a grouping dimension for each aggregation function by providing the optional `group_by` parameter as part of aggregation function parameters. Please refer to [Section 5.6.4, “Specifying Grouping for Each Aggregation Function”](#).

You can provide a filter expression for each aggregation function by providing the optional `filter` parameter as part of aggregation function parameters. Please refer to [Section 5.6.5, “Specifying a Filter Expression for Each Aggregation Function”](#).

For example, to find out the average price for all stock tick events in the last 30 seconds if the price was doubled:

```
select avg(price * 2) from StockTickEvent#time(30 seconds)
```

You can use the optional keyword `distinct` with all aggregate functions to eliminate duplicate values before the aggregate function is applied. The optional keyword `all` which performs the operation on all events is the default.

You can use aggregation functions in a `select` clause and in a `having` clause. You cannot use aggregate functions in a `where` clause, but you can use the `where` clause to restrict the events to which the aggregate is applied. The next statement computes the average and sum of the price of stock tick events for the symbol IBM only, for the last 10 stock tick events regardless of their symbol.

```
select 'IBM stats' as title, avg(price) as avgPrice, sum(price) as sumPrice
from StockTickEvent#length(10)
where symbol='IBM'
```

In the above example the length window of 10 elements is not affected by the `where` clause, i.e. all events enter and leave the length window regardless of their symbol. If you only care about the last 10 IBM events, you need to add filter criteria as below.

```
select 'IBM stats' as title, avg(price) as avgPrice, sum(price) as sumPrice
from StockTickEvent(symbol='IBM')#length(10)
where symbol='IBM'
```

You can use aggregate functions with any type of event property or expression, with the following exceptions:

1. You can use `sum`, `avg`, `median`, `stddev`, `avedev` with numeric event properties only

The runtime ignores any null values returned by the event property or expression on which the aggregate function is operating, except for the `count(*)` function, which counts null values as well. All aggregate functions return null if the data set contains no events, or if all events in the data set contain only null values for the aggregated expression.

5.6.2. Organizing Statement Results into Groups: The *Group-by* Clause

The `group by` clause is optional in all statements. The `group by` clause divides the output of a statement into groups. You can group by one or more event property names, or by the result of computed expressions. When used with aggregate functions, `group by` retrieves the calculations in each subgroup. You can use `group by` without aggregate functions, but generally that can produce confusing results.

For example, the below statement returns the total price per symbol for all stock tick events in the last 30 seconds:

```
select symbol, sum(price) from StockTickEvent#time(30 sec) group by symbol
```

The syntax of the `group by` clause is:

```
group by aggregate_free_expression [, aggregate_free_expression] [, ...]
```

The compiler places the following restrictions on expressions in the `group by` clause:

1. Expressions in the `group by` cannot contain aggregate functions.
2. When grouping an unbound stream, i.e. no data window is specified onto the stream providing groups, or when using output rate limiting with the ALL keyword, you should ensure your group-by expression does not return an unlimited number of values. If, for example, your group-by expression is a fine-grained timestamp, group state that accumulates for an unlimited number of groups potentially reduces available memory significantly. Use a `@Hint` as described below to instruct the runtime when to discard group state.

You can list more than one expression in the `group by` clause to nest groups. Once the sets are established with `group by` the aggregation functions are applied. Further detail on key expressions can be found at [Section 5.2.13, "Composite Keys and Array Values as Keys"](#).

This statement posts the median volume for all stock tick events in the last 30 seconds per symbol and tick data feed. The runtime posts one event for each group to statement listeners:

```
select symbol, tickDataFeed, median(volume)
from StockTickEvent#time(30 sec)
group by symbol, tickDataFeed
```

In the statement above the event properties in the `select` list (`symbol`, `tickDataFeed`) are also listed in the `group by` clause. The statement thus follows the SQL standard which prescribes that non-aggregated event properties in the `select` list must match the `group by` columns.

EPL also supports statements in which one or more event properties in the `select` list are not listed in the `group by` clause. The statement below demonstrates this case. It calculates the standard deviation since statement start over stock ticks aggregating by symbol and posting for each event the symbol, `tickDataFeed` and the standard deviation on price.

```
select symbol, tickDataFeed, stddev(price) from StockTickEvent group by symbol
```

The above example still aggregates the `price` event property based on the `symbol`, but produces one event per incoming event, not one event per group.

Additionally, EPL supports statements in which one or more event properties in the `group by` clause are not listed in the `select` list. This is an example that calculates the mean deviation per `symbol` and `tickDataFeed` and posts one event per group with `symbol` and mean deviation of price in the generated events. Since `tickDataFeed` is not in the posted results, this can potentially be confusing.

```
select symbol, avedev(price)
from StockTickEvent#time(30 sec)
group by symbol, tickDataFeed
```

Expressions are also allowed in the `group by` list:

```
select symbol * price, count(*) from StockTickEvent#time(30 sec) group by symbol
* price
```

If the `group by` expression resulted in a null value, the null value becomes its own group. All null values are aggregated into the same group. If you are using the `count(expression)` aggregate function which does not count null values, the count returns zero if only null values are encountered.

You can use a `where` clause in a statement with `group by`. Events that do not satisfy the conditions in the `where` clause are eliminated before any grouping is done. For example, the statement below posts the number of stock ticks in the last 30 seconds with a volume larger than 100, posting one event per group (`symbol`).

```
select symbol, count(*) from StockTickEvent#time(30 sec) where volume > 100 group
by symbol
```

5.6.2.1. Hints Pertaining to Group-By

The runtime reclaims aggregation state aggressively when it determines that a group has no data points, based on the data in the data windows. When your application data creates a large number of groups with a small or zero number of data points then performance may suffer as state is reclaimed and created anew. EPL provides the `@Hint('disable_reclaim_group')` hint that you can specify as part of a statement to avoid group reclaim.

When aggregating values over an unbound stream (i.e. no data window is specified onto the stream) and when your group-by expression returns an unlimited number of values, for example when a timestamp expression is used, then please note the next hint.

A sample statement that aggregates stock tick events by timestamp, assuming the event type offers a property by name `timestamp` that, reflects time in high resolution, for example arrival or system time:

```
// Note the below statement could lead to an out-of-memory problem:
select symbol, sum(price) from StockTickEvent group by timestamp
```

As the runtime has no means of detecting when aggregation state (sums per symbol) can be discarded, you may use the following hints to control aggregation state lifetime.

The `@Hint("reclaim_group_aged=age_in_seconds")` hint instructs the runtime to discard aggregation state that has not been updated for `age_in_seconds` seconds.

The optional `@Hint("reclaim_group_freq=sweep_frequency_in_seconds")` can be used in addition to control the frequency at which the runtime sweeps aggregation state to determine aggregation state age and remove state that is older than `age_in_seconds` seconds. If the hint is not specified, the frequency defaults to the same value as `age_in_seconds`.

The updated sample statement with both hints:

```
// Instruct runtime to remove state older than 10 seconds and sweep every 5
seconds
@Hint('reclaim_group_aged=10,reclaim_group_freq=5')
select symbol, sum(price) from StockTickEvent group by timestamp
```

Variables may also be used to provide values for `age_in_seconds` and `sweep_frequency_in_seconds`.

This example statement uses a variable named `varAge` to control how long aggregation state remains in memory, and the runtime defaults the sweep frequency to the same value as the variable provides:

```
@Hint('reclaim_group_aged=varAge')
select symbol, sum(price) from StockTickEvent group by timestamp
```

5.6.3. Using Group-By with Rollup, Cube and Grouping Sets

EPL supports the SQL-standard `rollup`, `cube` and `grouping sets` keywords. These keywords are available only in the `group-by` clause and instruct the runtime to compute higher-level (or super-aggregate) aggregation values, i.e. to perform multiple levels of analysis (groupings) at the same time.

EPL also supports the SQL-standard `grouping` and `grouping_id` functions. These functions can be used in the `select-clause`, `having-clause` or `order by-clause` to obtain information about the current row's grouping level in expressions. Please see [Section 10.1.8, "The Grouping Function"](#).

Detailed examples and information in respect to output rate limiting can be found in [Section A.7, "Output for Fully-Aggregated, Grouped Statements With Rollup"](#).

Use the `rollup` keyword in the `group-by` lists of expressions to compute the equivalent of an OLAP dimension or hierarchy.

For example, the following statement outputs for each incoming event three rows. The first row contains the total volume per symbol and feed, the second row contains the total volume per symbol and the third row contains the total volume overall. This example aggregates across all events for each aggregation level (3 groupings) since it declares no data window:

```
select symbol, tickDataFeed, sum(volume) from StockTickEvent
group by rollup(symbol, tickDataFeed)
```

The value of `tickDataFeed` is `null` for the output row that contains the total per symbol and the output row that contains the total volume overall. The value of both `symbol` and `tickDataFeed` is `null` for the output row that contains the overall total.

Use the `cube` keyword in the `group-by` lists of expressions to compute a cross-tabulation.

The following statement outputs for each incoming event four rows. The first row contains the total volume per symbol and feed, the second row contains the total volume per symbol, the third row contains the total volume per feed and the fourth row contains the total volume overall (4 groupings):

```
select symbol, tickDataFeed, sum(volume) from StockTickEvent
group by cube(symbol, tickDataFeed)
```

The `grouping sets` keywords allows you to specify only the groupings you want. It can thus be used to generate the same groupings that simple `group-by` expressions, `rollup` or `cube` would produce.

In this example each incoming event causes the runtime to compute two output rows: The first row contains the total volume per symbol and the second row contains the total volume per feed (2 groupings):

```
select symbol, tickDataFeed, sum(volume) from StockTickEvent
group by grouping sets(symbol, feed)
```

Your `group-by` expression can list grouping expressions and use `rollup`, `cube` and `grouping sets` keywords in addition or in combination.

This statement outputs the total per combination of symbol and feed and the total per symbol (2 groupings):

```
select symbol, tickDataFeed, sum(volume) from StockTickEvent
```

```
group by symbol, rollup(tickDataFeed)
```

You can specify combinations of expressions by using parenthesis.

The next statement is equivalent and also outputs the total per symbol and feed and the total per symbol (2 groupings, note the parenthesis):

```
select symbol, tickDataFeed, sum(volume) from StockTickEvent
group by grouping sets ((symbol, tickDataFeed), symbol)
```

Use empty parenthesis to aggregate across all dimensions.

This statement outputs the total per symbol, the total per feed and the total overall (3 groupings):

```
select symbol, tickDataFeed, sum(volume) from StockTickEvent
group by grouping sets (symbol, tickDataFeed, ())
```

The order of any output events for both insert and remove stream data is well-defined and exactly as indicated before. For example, specifying `grouping sets ((), symbol, tickDataFeed)` outputs a total overall, a total by symbol and a total by feed in that order. If the statement has an `order-by-clause` then the ordering criteria of the `order-by-clause` take precedence.

You can use `rollup` and `cube` within `grouping sets`.

This statement outputs the total per symbol and feed, the total per symbol, the total overall and the total by feed (4 groupings):

```
select symbol, tickDataFeed, sum(volume) from StockTickEvent
group by grouping sets (rollup(symbol, tickDataFeed), tickDataFeed)
```



Note

In order to use any of the `rollup`, `cube` and `grouping sets` keywords the statement must be fully-aggregated. All non-aggregated properties in the `select-clause`, `having-clause` or `order-by-clause` must also be listed in the `group by clause`.

5.6.3.1. Grouping Dimension Examples

This section provides additional examples of `group-by`-clauses and groupings or dimensions. The examples use event properties `a`, `b`, `c`, `d`, `e` to keep the examples easy to read. Empty parenthesis `()` stand for aggregation overall (across all dimensions).

If a statement provides no `order-by` clause, its order of output events is exactly as indicated below. Otherwise `order-by` takes precedence and within the same ordering criteria the order of output events is as indicated below.

Table 5.4.

Group-By Clause	Grouping
<code>group by a, b, c</code>	<code>a, b, c</code>
<code>group by rollup(a, b, c)</code>	<code>a, b, c</code> <code>a, b</code> <code>a</code> <code>()</code>
<code>group by a, rollup(b, c)</code>	<code>a, b, c</code> <code>a, b</code> <code>a</code>
<code>group by rollup(a, b), rollup(c, d)</code>	<code>a,b,c,d</code> <code>a,b,c</code> <code>a,b</code> <code>a,c,d</code> <code>a,c</code> <code>a</code> <code>c,d</code> <code>c</code> <code>()</code>
<code>group by cube(a, b, c)</code>	<code>a, b, c</code> <code>a, b</code> <code>a, c</code> <code>a</code> <code>b, c</code> <code>b</code> <code>c</code> <code>()</code>

Group-By Clause	Grouping
<code>group by cube(a, b, c, d)</code>	a,b,c,d a,b,c a,b,d a,b a,c,d a,c a,d a b,c,d b,c b,d b c,d c d ()
<code>group by grouping sets(a, b, c)</code>	a b c
<code>group by grouping sets((a, b) rollup(c, d))</code>	a,b c,d c ()

The following table outlines sample equivalent `group-by`-clauses.

Table 5.5. Equivalent `Group-By-Clause` Expressions

Expression	Equivalent
<code>group by a, b</code>	<code>group by grouping sets((a, b))</code>
<code>group by rollup(a, b)</code>	<code>group by grouping sets((a, b), a, ())</code>
<code>group by cube(a, b)</code>	<code>group by grouping sets((a, b), a, b, ())</code>
<code>group by a, b, rollup(c, d)</code>	<code>group by grouping sets((a, b, c, d), (a, b, c), (a, b))</code>
<code>group by rollup((a, b), c)</code>	<code>group by grouping sets((a, b, c), (a, b), ())</code>
<code>group by grouping sets((a))</code>	<code>group by grouping sets(a)</code>

5.6.3.2. Rollup Usage Notes

The `prev` and `prior` functions returns the previous event's property values and since they are not aggregation functions return the same value for each grouping. Declared or alias expressions and correlated subqueries also receive the same value for each grouping.

Context partitions operate on a higher level then rollups, i.e. rollups are never across context partitions.

5.6.4. Specifying Grouping for Each Aggregation Function

EPL allows each aggregation function to specify its own grouping criteria. This is useful for aggregating across multiple dimensions.

The syntax for the `group_by` parameter for use with aggregation functions is:

```
group_by: ( [expression [,expression [,...]] ] )
```

The `group_by` identifier can occur at any place within the aggregation function parameters. It follows a colon and within parenthesis an optional list of grouping expressions. The parenthesis are not required when providing a single expression. For grouping on the top level (overall aggregation) please use `()` empty parenthesis. Further detail on key expressions can be found at [Section 5.2.13, "Composite Keys and Array Values as Keys"](#).

The presence of `group_by` aggregation function parameters, the grouping expressions as well as the `group-by` clause determine the number of output rows for statements as further described in [Section 2.15, "Basic Aggregated Statement Types"](#).

For un-grouped statements (without a `group by` clause), if any aggregation function specifies a `group_by` other than the `()` overall group, the statement executes as aggregated and un-grouped.

For example, the next statement is an aggregated (but not fully aggregated) and ungrouped statement and outputs various totals for each arriving event:

```
select sum(price, group_by:()) as totalPriceOverall,
       sum(price, group_by:account) as totalPricePerAccount,
       sum(price, group_by:(account, feed)) as totalPricePerAccountAndFeed
from Orders
```

For grouped statements (with a `group by` clause), if all aggregation functions specify either no `group_by` or `group_by` criteria that subsume the criteria in the `group by` clause, the statement executes as a fully-aggregated and grouped statement. Otherwise the statement executes as an aggregated and grouped statement.

The next example is fully-aggregated and grouped and it computes, for the last one minute of orders, the ratio of orders per account compared to all orders:

```
select count(*)/count(*, group_by:()) as ratio
from Orders#time(1 min) group by account
```

The next example is an aggregated (and not fully-aggregated) and grouped statement that in addition outputs a count per order category:

```
select count(*) as cnt, count(*, group_by:()) as cntOverall, count(*, group_by:
(category)) as cntPerCategory
from Orders#time(1 min) group by account
```

Please note the following restrictions:

1. Expressions in the `group_by` cannot contain aggregate functions.
2. Hints pertaining to group-by are not available when a statement specifies aggregation functions with `group_by`.
3. The `group_by` aggregation function parameters are not available in subqueries, match-recognize, statements that aggregate into tables using `into table` or in combination with `rollup` and `grouping sets`.

5.6.5. Specifying a Filter Expression for Each Aggregation Function

EPL allows each aggregation function to specify its own filter expression. This is useful for conditionally aggregating.

The syntax for the `filter` parameter for use with aggregation functions is:

```
filter:expression
```

The `filter` identifier can occur at any place within the aggregation function parameters. It follows a colon and the filter expression. The filter expression must return a `boolean`-type value.

If a filter expression is present, the runtime evaluates the filter expression to determine whether to update the aggregation.

For example, the next statement returns the total price of small orders (price less 100), the total price of large orders (price \geq 100), as well as the events themselves of each category, considering the last 10 seconds of orders:

```
select
  sum(price, filter: price < 100) as smallOrderTotal,
  sum(price, filter: price >= 100) as largeOrderTotal,
  window(*, filter: price < 100) as smallOrderEvents,
```

```
window(*, filter: price >= 100) as largeOrderEvents
  from Orders#time(10)
```



Note

Filter expressions that are parameters to aggregation functions must return reproducible results: When the expression is evaluated against the same input values it should return the same result. Aggregation functions and subqueries are not allowed therein.

5.6.6. Selecting Groups of Events: The *Having* Clause

Use the `having` clause to pass or reject events defined by the `group-by` clause. The `having` clause sets conditions for the `group by` clause in the same way `where` sets conditions for the `select` clause, except `where` cannot include aggregate functions, while `having` often does.

This statement is an example of a `having` clause with an aggregate function. It posts the total price per symbol for the last 30 seconds of stock tick events for only those symbols in which the total price exceeds 1000. The `having` clause eliminates all symbols where the total price is equal or less than 1000.

```
select symbol, sum(price)
from StockTickEvent#time(30 sec)
group by symbol
having sum(price) > 1000
```

To include more than one condition in the `having` clause combine the conditions with `and`, `or` or `not`. This is shown in the statement below which selects only groups with a total price greater than 1000 and an average volume less than 500.

```
select symbol, sum(price), avg(volume)
from StockTickEvent#time(30 sec)
group by symbol
having sum(price) > 1000 and avg(volume) < 500
```

A statement with the `having` clause should also have a `group by` clause. If you omit `group-by`, all the events not excluded by the `where` clause return as a single group. In that case `having` acts like a `where` except that `having` can have aggregate functions.

The `having` clause can also be used without `group by` clause as the below example shows. The example below posts events where the price is less than the current running average price of all stock tick events in the last 30 seconds.

```
select symbol, price, avg(price)
from StockTickEvent#time(30 sec)
having price < avg(price)
```

5.6.7. How the Stream Filter, *Where*, *Group By* and *Having*-Clauses Interact

When you include filters, the *where* condition, the *group by* clause and the *having* condition in a statement the sequence in which each clause affects events determines the final result:

1. The event stream's filter condition, if present, dictates which events enter a window (if one is used). The filter discards any events not meeting filter criteria.
2. The *where* clause excludes events that do not meet its search condition.
3. Aggregate functions in the select list calculate summary values for each group.
4. The *having* clause excludes events from the final results that do not meet its search condition.

The following statement illustrates the use of filter, *where*, *group by* and *having* clauses in one statement with a *select* clause containing an aggregate function.

```
select tickDataFeed, stddev(price)
from StockTickEvent(symbol='IBM')#length(10)
where volume > 1000
group by tickDataFeed
having stddev(price) > 0.8
```

The runtime filters events using the filter criteria for the event stream `StockTickEvent`. In the example above only events with symbol IBM enter the length window over the last 10 events, all other events are simply discarded. The *where* clause removes any events posted by the length window (events entering the window and event leaving the window) that do not match the condition of volume greater then 1000. Remaining events are applied to the *stddev* standard deviation aggregate function for each tick data feed as specified in the *group by* clause. Each `tickDataFeed` value generates one event. The runtime applies the *having* clause and only lets events pass for `tickDataFeed` groups with a standard deviation of price greater then 0.8.

5.6.8. Comparing Keyed Segmented Context, the *Group By* Clause and *#groupwin* for Data Windows

The keyed segmented context *create context ... partition by* and the *group by* clause as well as the built-in *#groupwin* are similar in their ability to group events but very different in their semantics. This section explains the key differences in their behavior and use.

The keyed segmented context as declared with *create context ... partition by* and *context ... select ...* creates a new context partition per key value(s). The runtime maintains separate data

windows as well as separate aggregations per context partition; thereby the keyed segmented context applies to both. See [Section 4.2.2, “Keyed Segmented Context”](#) for additional examples.

The *group by* clause works together with aggregation functions in your statement to produce an aggregation result per group. In greater detail, this means that when a new event arrives, the runtime applies the expressions in the *group by* clause to determine a grouping key. If the runtime has not encountered that grouping key before (a new group), the runtime creates a set of new aggregation results for that grouping key and performs the aggregation changing that new set of aggregation results. If the grouping key points to an existing set of prior aggregation results (an existing group), the runtime performs the aggregation changing the prior set of aggregation results for that group.

The *#groupwin* instructs the system to have a separate data window per group, see [Section 14.3.15, “Grouped Data Window \(groupwin or std:groupwin\)”](#). It causes allocation of separate data window(s) for each grouping key encountered.

The table below summarizes the point:

Table 5.6. Grouping Options

Option	Description
Keyed Segmented Context	Separate context partition per key value. Affects all of data windows, aggregations, patterns, etc. (except variables which are global).
Grouped Data Window (<i>#groupwin</i>)	Separate data window per key value. Affects only the data window that is declared next to it.
Group By Clause (<i>group by</i>)	Separate aggregation values per key value. Affects only aggregation values.

Please review the performance section for advice related to performance or memory-use.

The next example shows statements that produce equivalent results. The statement using the *group by* clause is generally preferable as is easier to read. The second form introduces the *#uni* special data window which computes univariate statistics for a given property:

```
select symbol, avg(price) from StockTickEvent group by symbol
// ... is equivalent to ...
select symbol, average from StockTickEvent#groupwin(symbol)#uni(price)
```

The next example shows two statements that are NOT equivalent as the length window is ungrouped in the first statement, and grouped in the second statement:

```
select symbol, sum(price) from StockTickEvent#length(10) group by symbol
```

```
// ... NOT equivalent to ...
select symbol, sum(price) from StockTickEvent#groupwin(symbol)#length(10)
```

The key difference between the two statements is that in the first statement the length window is ungrouped and applies to all events regardless of group. While in the second statement each group gets its own length window. For example, in the second statement events arriving for symbol "ABC" get a length window of 10 events, and events arriving for symbol "DEF" get their own length window of 10 events.

5.7. Stabilizing and Controlling Output: The *Output* Clause

5.7.1. Output Clause Options

The `output` clause is optional in EPL and is used to control or stabilize the rate at which events are output and to suppress output events. The EPL language provides for several different ways to control output rate.

Here is the syntax for the `output` clause that specifies a rate in time interval or number of events:

```
output [after suppression_def]
  [[all | first | last | snapshot] every output_rate [seconds | events]]
[and when terminated]
```

An alternate syntax specifies the time period between output as outlined in [Section 5.2.1, "Specifying Time Periods"](#):

```
output [after suppression_def]
  [[all | first | last | snapshot] every time_period]
[and when terminated]
```

A crontab-like schedule can also be specified. The schedule parameters follow the pattern observer parameters and are further described in [Section 7.6.4, "Crontab \(timer:at\)"](#):

```
output [after suppression_def]
  [[all | first | last | snapshot] at
    (minutes, hours, days of month, months, days of week [, seconds])]
[and when terminated]
```

For use with contexts, in order to trigger output only when a context partition terminates, specify `when terminated` as further described in [Section 4.6, "Output When a Context Partition Ends \(Non-Overlapping Context\) or Terminates \(Overlapping Context\)"](#):

```
output [after suppression_def]
  [[all | first | last | snapshot] when terminated]
```

```
[and termination_expression]
[then set variable_name = assign_expression [, variable_name =
assign_expression [...]]
]
```

Last, output can be controlled by an expression that may contain variables, user-defined functions and information about the number of collected events. Output that is controlled by an expression is discussed in detail below.

The `after` keyword and `suppression_def` can appear alone or together with further output conditions and suppresses output events.

For example, the following statement outputs, every 60 seconds, the total price for all orders in the 30-minute time window:

```
select sum(price) from OrderEvent#time(30 min) output snapshot every 60 seconds
```

The `all` keyword is the default and specifies that all events in a batch should be output, each incoming row in the batch producing an output row. Note that for statements that group via the `group by` clause, the `all` keyword provides special behavior as below.

The `first` keyword specifies that only the first event in an output batch is to be output. Using the `first` keyword instructs the runtime to output the first matching event as soon as it arrives, and then ignores matching events for the time interval or number of events specified. After the time interval elapsed, or the number of matching events has been reached, the next first matching event is output again and the following interval the runtime again ignores matching events. For statements that group via the `group by` clause, the `first` keywords provides special behavior as below.

The `last` keyword specifies to only output the last event at the end of the given time interval or after the given number of matching events have been accumulated. Again, for statements that group via the `group by` clause the `last` keyword provides special behavior as below.

The `snapshot` keyword is often used with unbound streams and/or aggregation to output current aggregation results. While the other keywords control how a batch of events between output intervals is being considered, the `snapshot` keyword outputs current state of a statement independent of the last batch. Its output is comparable to the `iterator` method provided by a statement. More information on `output snapshot` can be found in [Section 5.7.1.3, “Output Snapshot”](#).

The `output_rate` is the frequency at which the runtime outputs events. It can be specified in terms of time or number of events. The value can be a number to denote a fixed output rate, or the name of a variable whose value is the output rate. By means of a variable the output rate can be controlled externally and changed dynamically at runtime.

Please consult the [Appendix A, Output Reference and Samples](#) for detailed information on insert and remove stream output for the various `output` clause keywords.

For use with contexts you may append the keywords `and` and `when terminated` to trigger output at the rate defined and in addition trigger output when the context partition terminates. Please see [Section 4.6, “Output When a Context Partition Ends \(Non-Overlapping Context\) or Terminates \(Overlapping Context\)”](#) for details.



Note

Please see [Appendix B, Runtime Considerations for Output Rate Limiting](#) for information on how the system retains input events and computes output events according to the specified output rate.

The time interval can also be specified in terms of minutes; the following statement is identical to the first one.

```
select * from StockTickEvent output every 1.5 minutes
```

A second way that output can be stabilized is by batching events until a certain number of events have been collected:

```
select * from StockTickEvent output every 5 events
```

Additionally, event output can be further modified by the optional `last` keyword, which causes output of only the last event to arrive into an output batch.

```
select * from StockTickEvent output last every 5 events
```

Using the `first` keyword you can be notified at the start of the interval. This allows to watch for situations such as a rate falling below a threshold and only be informed every now and again after the specified output interval, but be informed the moment it first happens.

```
select * from TickRate where rate<100 output first every 60 seconds
```

A sample statement using the Unix "crontab"-command schedule is shown next. See [Section 7.6.4, “Crontab \(timer:at\)”](#) for details on schedule syntax. Here, output occurs every 15 minutes from 8am to 5:45pm (hours 8 to 17 at 0, 15, 30 and 45 minutes past the hour):

```
select symbol, sum(price) from StockTickEvent group by symbol output at
(* / 15, 8:17, *, *, *)
```

5.7.1.1. Controlling Output Using an Expression

Output can also be controlled by an expression that may check variable values, use user-defined functions and statement built-in properties that provide additional information. The synopsis is as follows:

```
output [after suppression_def]
  [[all | first | last | snapshot] when trigger_expression
   [then set variable_name = assign_expression [, variable_name
   = assign_expression [...]]]
  [and when terminated
   [and termination_expression]
   [then set variable_name = assign_expression [, variable_name =
   assign_expression [...]]]
  ]
```

The `when` keyword must be followed by a trigger expression returning a boolean value of `true` or `false`, indicating whether to output. Use the optional `then` keyword to change variable values after the trigger expression evaluates to `true`. An assignment expression assigns a new value to variable(s).

For use with contexts you may append the keywords `and when terminated` to also trigger output when the context partition terminates. Please see [Section 4.6, “Output When a Context Partition Ends \(Non-Overlapping Context\) or Terminates \(Overlapping Context\)”](#) for details. You may optionally specify a termination expression. If that expression is provided the runtime evaluates the expression when the context partition terminates: The evaluation result of `true` means output occurs when the context partition terminates, `false` means no output occurs when the context partition terminates. You may specify `then set` followed by a list of assignments to assign variables. Assignments are executed on context partition termination regardless of the termination expression, if present.

Lets consider an example. The next statement assumes that your application has defined a variable by name `OutputTriggerVar` of boolean type. The statement outputs rows only when the `OutputTriggerVar` variable has a boolean value of `true`:

```
select sum(price) from StockTickEvent output when OutputTriggerVar = true
```

The runtime evaluates the trigger expression when streams and data windows (if any) post one or more insert or remove stream events after considering the `where` clause, if present. It also evaluates the trigger expression when any of the variables used in the trigger expression, if any, changes value. Thus output occurs as follows:

1. When there are insert or remove stream events and the `when` trigger expression evaluates to `true`, the runtime outputs the resulting rows.
2. When any of the variables in the `when` trigger expression changes value, the runtime evaluates the expression and outputs results. Result output occurs within the minimum time interval of timer resolution.

By adding a `then` part to the EPL, you can reset any variables after the trigger expression evaluated to true:

```
select sum(price) from StockTickEvent
  output when OutputTriggerVar = true
  then set OutputTriggerVar = false
```

Expressions in the `when` and `then` may, for example, use variables, user defined functions or any of the built-in named properties that are described in the below list.

The following built-in properties are available for use:

Table 5.7. Built-In Properties for Use With Output When

Built-In Property Name	Description
<code>last_output_timestamp</code>	Timestamp when the last output occurred for the statement; Initially set to time of statement deployment
<code>count_insert</code>	Number of insert stream events
<code>count_insert_total</code>	Number of insert stream events in total (not reset when output occurs).
<code>count_remove</code>	Number of remove stream events
<code>count_remove_total</code>	Number of remove stream events in total (not reset when output occurs).

The values provided by `count_insert` and `count_remove` are non-continues: The number returned for these properties may 'jump' up rather than count up by 1. The counts reset to zero upon output.

The following restrictions apply to expressions used in the output rate clause:

- Event property names cannot be used in the output clause.
- Aggregation functions cannot be used in the output clause.
- The `prev` previous event function and the `prior` prior event function cannot be used in the output clause.

5.7.1.2. Suppressing Output With `After`

The `after` keyword and its time period or number of events parameters is optional and can occur after the `output` keyword, either alone or with output conditions as listed above.

The synopsis of `after` is as follows:

```
output after time_period | number events [...]
```

When using `after` either alone or together with further output conditions, the runtime discards all output events until the time period passed as measured from the start of the statement, or until the number of output events are reached. The discarded events are not output and do not count towards any further output conditions if any are specified.

For example, the following statement outputs every minute the total price for all orders in the 30-minute time window but only after 30 minutes have passed:

```
select sum(price) from OrderEvent#time(30 min) output after 30 min snapshot
every 1 min
```

An example in which `after` occur alone is below, in a statement that outputs total price for all orders in the last minute but only after 1 minute passed, each time an event arrives or leaves the data window:

```
select sum(price) from OrderEvent#time(1 min) output after 1 min
```

To demonstrate `after` when used with an event count, this statement find pairs of orders with the same id but suppresses output for the first 5 pairs:

```
select * from pattern[every o=OrderEvent->p=OrderEvent(id=o.id)] output after
5 events
```

5.7.1.3. Output Snapshot

For fully aggregated and un-grouped statements, `output snapshot` outputs a single row with current aggregation value(s).

For aggregated ungrouped and grouped statements, as well as for unaggregated statements, `output snapshot` considers events held by the data window and outputs a row for each event. If the statement specifies no data window or a join results in no rows, the output is no rows.

For fully aggregated and grouped statements that select from a single stream (or pattern, non-joining) and that do not specify a data window, the runtime outputs current aggregation results for all groups. For fully aggregated and grouped statements with a join and/or data windows the output consists of aggregation values according to events held in the data window (single stream) or that are join results (join).

When the `from`-clause lists only tables, use `output snapshot` to output table contents.

5.7.2. Aggregation, Group By, Having and Output Clause Interaction

Remove stream events can also be useful in conjunction with aggregation and the `output` clause: When the runtime posts remove stream events for fully-aggregated statements, it presents the aggregation state before the expiring event leaves the data window. Your application can thus easily obtain a delta between the new aggregation value and the prior aggregation value.

The runtime evaluates the having-clause at the granularity of the data posted by data windows (if any) or when an event arrives (without a data windows). That is, if you utilize a time window and output every 10 events, the `having` clause applies to each individual event or events entering and leaving the time window (and not once per batch of 10 events).

The `output` clause interacts in two ways with the `group by` and `having` clauses. First, in the `output every n events` case, the number `n` refers to the number of events arriving into the `group by` clause. That is, if the `group by` clause outputs only 1 event per group, or if the arriving events don't satisfy the `having` clause, then the actual number of events output by the statement could be fewer than `n`.

Second, the `last`, `all` and `first` keywords have special meanings when used in a statement with aggregate functions and the `group by` clause:

- When no keyword is specified, the runtime produces an output row for each row in the batch or when using group-by then an output per group only for those groups present in the batch, following [Section 2.15, “Basic Aggregated Statement Types”](#).
- The `all` keyword (the default) specifies that the most recent data for *all* groups seen so far should be output, whether or not these groups' aggregate values have just been updated
- The `last` keyword specifies that only groups whose aggregate values have been updated with the most recent batch of events should be output.
- The `first` keyword specifies that only groups whose aggregate values have been updated with the most recent batch of events should be output following the defined frequency, keeping frequency state for each group.
- The `snapshot` keyword does not consider the recent batch and has special behavior as discussed in [Section 5.7.1.3, “Output Snapshot”](#).

Please consult the [Appendix A, Output Reference and Samples](#) for detailed information on insert and remove stream output for aggregation and group-by.

By adding an output rate limiting clause to a statement that contains a `group by` clause you can control output of groups to obtain one row for each group, generating an event per group at the given output frequency.

The next statement outputs total price per symbol cumulatively (no data window was used here). As it specifies the `all` keyword, the statement outputs the current value for all groups seen so far, regardless of whether the group was updated in the last interval. Output occurs after an interval of 5 seconds passed and at the end of each subsequent interval:


```
select symbol, sum(price) from StockTickEvent group by symbol output all every
5 seconds
```

The below statement outputs total price per symbol considering events in the last 3 minutes. When events leave the 3-minute data window output also occurs as new aggregation values are computed. The `last` keyword instructs the runtime to output only those groups that had changes. Output occurs after an interval of 10 seconds passed and at the end of each subsequent interval:

```
select symbol, sum(price) from StockTickEvent#time(3 min)
group by symbol output last every 10 seconds
```

This statement also outputs total price per symbol considering events in the last 3 minutes. The `first` keyword instructs the runtime to output as soon as there is a new value for a group. After output for a given group the runtime suppresses output for the same group for 10 seconds and does not suppress output for other groups. Output occurs again for that group after the interval when the group has new value(s):

```
select symbol, sum(price) from StockTickEvent#time(3 min)
group by symbol output first every 10 seconds
```

5.8. Sorting Output: the *Order By* Clause

The `order by` clause is optional. It is used for ordering output events by their properties, or by expressions involving those properties. .

For example, the following statement outputs batches of 5 or more stock tick events that are sorted first by price ascending and then by volume ascending:

```
select symbol from StockTickEvent#time(60 sec)
output every 5 events
order by price, volume
```

Here is the syntax for the `order by` clause:

```
order by expression [asc | desc] [, expression [asc | desc]] [, ...]
```

If the `order by` clause is absent then the runtime still makes certain guarantees about the ordering of output:

- If the statement is not a join, does not group via `group by` clause and does not declare grouped data windows via `#groupwin`, the order in which events are delivered to listeners and through the `iterator` pull API is the order of event arrival.
- If the statement is a join or outer join, or groups, then the order in which events are delivered to listeners and through the `iterator` pull API is not well-defined. Use the `order by` clause if your application requires events to be delivered in a well-defined order.

The compiler places the following restrictions on the expressions in the `order by` clause:

1. All aggregate functions that appear in the `order by` clause must also appear in the `select` expression.

Otherwise, any kind of expression that can appear in the `select` clause, as well as any name defined in the `select` clause, is also valid in the `order by` clause.

By default all sort operations on string values are performed via the `compare` method and are thus not locale dependent. To account for differences in language or locale, see [Section 17.5.5, “Compiler Settings Related to Language and Locale”](#) to change this setting.

5.9. Limiting Row Count: the *Limit* Clause

The `limit` clause is typically used together with the `order by` and `output` clause to limit your statement results to those that fall within a specified range. You can use it to receive the first given number of result rows, or to receive a range of result rows.

There are two syntaxes for the `limit` clause, each can be parameterized by integer constants or by variable names. The first syntax is shown below:

```
limit row_count [offset offset_count]
```

The required `row_count` parameter specifies the number of rows to output. The `row_count` can be an integer constant and can also be the name of the integer-type variable to evaluate at runtime.

The optional `offset_count` parameter specifies the number of rows that should be skipped (offset) at the beginning of the result set. A variable can also be used for this parameter.

The next sample statement outputs the top 10 counts per property 'uri' every 1 minute.

```
select uri, count(*) from WebEvent
group by uri
output snapshot every 1 minute
order by count(*) desc
limit 10
```

The next statement demonstrates the use of the `offset` keyword. It outputs ranks 3 to 10 per property 'uri' every 1 minute:

```
select uri, count(*) from WebEvent
group by uri
output snapshot every 1 minute
order by count(*) desc
limit 8 offset 2
```

The second syntax for the `limit` clause is for SQL standard compatibility and specifies the offset first, followed by the row count:

```
limit offset_count[, row_count]
```

The following are equivalent:

```
limit 8 offset 2
// ...equivalent to
limit 2, 8
```

A negative value for `row_count` returns an unlimited number of rows, and a zero value returns no rows. If variables are used, then the current variable value at the time of output dictates the row count and offset. A variable returning a null value for `row_count` also returns an unlimited number of rows.

A negative value for offset is not allowed. If your variable returns a negative or null value for offset then the value is assumed to be zero (i.e. no offset).

The `iterator` pull API also honors the `limit` clause, if present.

5.10. Merging Streams and Continuous Insertion: The *Insert Into* Clause

The `insert into` clause is optional in EPL. The clause can be specified to make the results of a statement available as an event stream for use in further statements, or to insert events into a named window or table. The clause can also be used to merge multiple event streams to form a single stream of events.

The syntax for the `insert into` clause is as follows:

```
insert [istream | irstream | rstream] into event_stream_name
[ ( [property_name [, property_name]] ) ]
```

The `istream` (default) and `rstream` keywords are optional. If no keyword or the `istream` keyword is specified, the runtime supplies the insert stream events generated by the statement. The insert stream consists of the events entering the respective window(s) or stream(s). If the `rstream`

keyword is specified, the runtime supplies the remove stream events generated by the statement. The remove stream consists of the events leaving the respective window(s).

If your application specifies `istream`, the runtime inserts into the new stream both the insert and remove stream. This is often useful in connection with the `istream` built-in function that returns an inserted/removed boolean indicator for each event, see [Section 10.1.11, "The Istream Function"](#).

The `event_stream_name` is an identifier that names the event stream (and also implicitly names the types of events in the stream) generated by the compiler. It may also specify a named window name or a table name. The identifier can be used in further statements to filter and process events of that event stream, unless inserting into a table. The `insert into` clause can consist of just an event stream name, or an event stream name and one or more property names.

The runtime also allows listeners to be attached to a statement that contain an `insert into` clause. Listeners receive all events posted to the event stream.

To merge event streams, simply use the same `event_stream_name` identifier in all statements that merge their result event streams. Make sure to use the same number and names of event properties and event property types match up.

The compiler places the following restrictions on the `insert into` clause:

1. The number of elements in the `select` clause must match the number of elements in the `insert into` clause if the clause specifies a list of event property names
2. If the event stream name has already been defined by a prior statement or configuration, and the event property names and/or event types do not match, an exception is thrown at statement compile time.

The following sample inserts into an event stream by name `CombinedEvent`:

```
insert into CombinedEvent
select A.customerId as custId, A.timestamp - B.timestamp as latency
  from EventA#time(30 min) A, EventB#time(30 min) B
 where A.txnId = B.txnId
```

Each event in the `CombinedEvent` event stream has two event properties named "custId" and "latency". The events generated by the above statement can be used in further statements, such as shown in the next statement:

```
select custId, sum(latency)
  from CombinedEvent#time(30 min)
 group by custId
```

The example statement below shows the alternative form of the `insert into` clause that explicitly defines the property names to use.

```
insert into CombinedEvent (custId, latency)
select A.customerId, A.timestamp - B.timestamp
...
```

The `rstream` keyword can be useful to indicate to the runtime to generate only remove stream events. This can be useful if you want to trigger actions when events leave a window rather than when events enter a window. The statement below generates `CombinedEvent` events when `EventA` and `EventB` leave the window after 30 minutes.

```
insert rstream into CombinedEvent
select A.customerId as custId, A.timestamp - B.timestamp as latency
  from EventA#time(30 min) A, EventB#time(30 min) B
 where A.txnId = B.txnId
```

The `insert into` clause can be used in connection with patterns to provide pattern results to further statements for analysis:

```
insert into ReUpEvent
select linkUp.ip as ip
from      pattern      [every      linkDown=LinkDownEvent      ->
  linkUp=LinkUpEvent(ip=linkDown.ip)]
```

5.10.1. Transposing a Property to a Stream

Sometimes your events may carry properties that are themselves event objects. Therefore EPL offers a special syntax to insert the value of a property itself as an event into a stream:

```
insert into stream_name select property_name.* from ...
```

This feature is only supported for JavaBean events and for `Map` and `Object-array (Object[])` event types that associate an event type name with the property type. It is not supported for `XML` events. Nested property names are also not supported.

In this example, the class `Summary` with properties `bid` and `ask` that are of type `Quote` is:

```
public class Summary {
  private Quote bid;
  private Quote ask;
  ...
}
```

The statement to populate a stream of `Quote` events is thus:

```
insert into MyBidStream select bid.* from Summary
```

5.10.2. Merging Streams by Event Type

The `insert into` clause allows to merge multiple event streams into a event single stream. The clause names an event stream to insert into by specifying an *event_stream_name*. The first statement that inserts into the named stream defines the stream's event types. Further statements that insert into the same event stream must match the type of events inserted into the stream as declared by the first statement.

One approach to merging event streams specifies individual column names either in the `select` clause or in the `insert into` clause of the statement. This approach has been shown in earlier examples.

Another approach to merging event streams specifies the wildcard (*) in the `select` clause (or the stream wildcard) to select the underlying event. The events in the event stream must then have the same event type as generated by the `from` clause.

Assume a statement creates an event stream named `MergedStream` by selecting `OrderEvent` events:

```
insert into MergedStream select * from OrderEvent
```

A statement can use the stream wildcard selector to select only `OrderEvent` events in a join:

```
insert into MergedStream select ord.* from ItemScanEvent, OrderEvent as ord
```

And a statement may also use an application-supplied user-defined function to convert events to `OrderEvent` instances:

```
insert into MergedStream select MyLib.convert(item) from ItemScanEvent as item
```

The compiler specifically recognizes a conversion function as follows: A conversion function must be the only selected column, and it must return either a Java object or `java.util.Map` or `Object[]` (object array). Your EPL should not use the `as` keyword to assign a column name.

5.10.3. Merging Disparate Types of Events: Variant Streams

A *variant stream* is a predefined stream into which events of multiple disparate event types can be inserted.

A variant stream name may appear anywhere in a pattern or `from` clause. In a pattern, a filter against a variant stream matches any events of any of the event types inserted into the variant stream. In a `from` clause including for named windows, data windows may hold events of any of the event types inserted into the variant stream.

A variant stream is thus useful in problems that require different types of event to be treated the same.

Variant streams can be declared by means of `create variant schema` or can be predefined via runtime or initialization-time configuration as described in [Section 17.4.16, “Variant Stream”](#). Your application may declare or predefine variant streams to carry events of a limited set of event types, or you may choose the variant stream to carry any and all types of events. This choice affects what event properties are available for consuming statements or patterns of the variant stream.

Assume that an application predefined a variant stream named `OrderStream` to carry only `ServiceOrder` and `ProductOrder` events. An `insert into` clause inserts events into the variant stream:

```
insert into OrderStream select * from ServiceOrder
```

```
insert into OrderStream select * from ProductOrder
```

Here is a sample statement that consumes the variant stream and outputs a total price per customer id for the last 30 seconds of `ServiceOrder` and `ProductOrder` events:

```
select customerId, sum(price) from OrderStream#time(30 sec) group by customerId
```

If your application predefines the variant stream to hold specific type of events, as the sample above did, then all event properties that are common to all specified types are visible on the variant stream, including nested, indexed and mapped properties. For access to properties that are only available on one of the types, the dynamic property syntax must be used. In the example above, the `customerId` and `price` were properties common to both `ServiceOrder` and `ProductOrder` events.

For example, here is a consuming statement that selects a `service duration` property that only `ServiceOrder` events have, and that must therefore be casted to double and null values removed in order to aggregate:

```
select customerId, sum(coalesce(cast(serviceDuration?, double), 0))  
from OrderStream#time(30 sec) group by customerId
```

If your application predefines a variant stream to hold any type of events (the `any` type variance), then all event properties of the variant stream are effectively dynamic properties.

For example, an application may define an `OutgoingEvents` variant stream to hold any type of event. The next statement is a sample consumer of the `OutgoingEvents` variant stream that looks for the `destination` property and fires for each event in which the property exists with a value of `'email'`:

```
select * from OutgoingEvents(destination = 'email')
```

5.10.4. Decorated Events

Your `select` clause may use the `'*'` wildcard together with further expressions to populate a stream of events. A sample statement is:

```
insert into OrderStream select *, price*units as linePrice from PurchaseOrder
```

When using wildcard and selecting additional expression results, the runtime produces what is called *decorating* events for the resulting stream. Decorating events add additional property values to an underlying event.

In the above example the resulting `OrderStream` consists of underlying `PurchaseOrder` events *decorated* by a `linePrice` property that is a result of the `price*units` expression.

In order to use `insert into` to insert into an existing stream of decorated events, your underlying event type must match, and all additional decorating property names and types of the `select` clause must also match.

5.10.5. Event as a Property

Your `select` clause may use the stream name to populate a stream of events in which each event has properties that are itself an event. A sample statement is:

```
insert into CompositeStream select order, service, order.price+service.price as
totalPrice
from PurchaseOrder#lastevent as order, ServiceEvent#lastevent as service
```

When using the stream name (or tag in patterns) in the `select`-clause, the runtime produces composite events: One or more of the properties of the composite event are events themselves.

In the above example the resulting `CompositeStream` consists of 3 columns: the `PurchaseOrder` event, the `ServiceEvent` event and the `totalPrice` property that is a result of the `order.price+service.price` expression.

In order to use `insert into` to insert into an existing stream of events in which properties are themselves events, each event column's event type must match, and all additional property names and types of the `select` clause must also match.

5.10.6. Instantiating and Populating an Underlying Event Object

Your `insert into` clause may also directly instantiate and populate application underlying event objects or `Map` or `Object[]` event objects. This is described in greater detail in [Section 3.9, "Event Objects Instantiated and Populated by Insert Into"](#).

If instead you have an expression that returns an event object, please read on to the next section.

5.10.7. Transposing an Expression Result

You can transpose an object returned as an expression result into a stream using the `transpose` function as described further in [Section 10.4, "Select-Clause Transpose Function"](#).

5.10.8. Select-Clause Expression and Inserted-Into Column Event Type

When you declare the inserted-into event type in advance to the statement that inserts, the runtime compares the inserted-into event type information to the return type of expressions in the `select`-clause. The comparison uses the column alias assigned to each `select`-clause expression using the `as` keyword.

When the inserted-into column type is an event type and when using a subquery or the `new` operator, the runtime compares column names assigned to subquery columns or `new` operator columns.

For example, assume a `PurchaseOrder` event type that has a property called `items` that consists of `Item` rows:

```
create schema Item(name string, price double)
```

```
create schema PurchaseOrder(orderId string, items Item[])
```

Declare a statement that inserts into the `PurchaseOrder` stream:

```
insert into PurchaseOrder
select '001' as orderId, new {name='i1', price=10} as items
from TriggerEvent
```

The alias assigned to the first and second expression in the select-clause, namely `orderId` and `items`, both match the event property names of the `Purchase Order` event type. The column names provided to the `new` operator also both match the event property names of the `Item` event type.

When the event type declares the column as a single value (and not an array) and when the select-clause expression produces a multiple rows, the runtime only populate the first row.

Consider a `PurchaseOrder` event type that has a property called `item` that consists of a single `Item` event:

```
create schema PurchaseOrder(orderId string, items Item)
```

The sample subquery below populates only the very first event, discarding remaining subquery result events, since the `items` property above is declared as holding a single `Item`-typed event only (versus `Item[]` to hold multiple `Item`-typed events).

```
insert into PurchaseOrder select
(select 'il' as name, 10 as price from HistoryEvent#length(2)) as items
from TriggerEvent
```

Consider using a subquery with filter, or one of the enumeration methods to select a specific subquery result row.

5.10.9. Insert Into for Event Types Without Properties

When using `insert-into` and the type information for the inserted-into stream exists and the type has no properties, specify a `select`-clause that selects a single column of value `null` and that provides no column name.

For example, the next EPL declares a `TriggerStream` type that has no event properties:

```
create schema TriggerStream ()
```

To populate events of type `TriggerStream`, let the `select`-clause simply select `null`, like this:

```
insert into TriggerStream select null from ...
```

This example uses a pattern to populate a `TrggerStream` event every 10 seconds:

```
insert into TriggerStream select null from pattern[every timer:interval(10 sec)]
```

5.11. Subqueries

A subquery is a `select` within another statement. The compiler supports subqueries in the `select` clause, `where` clause, `having` clause and in stream and pattern filter expressions. Subqueries provide an alternative way to perform operations that would otherwise require complex joins. Subqueries can also make statements more readable than complex joins.

EPL supports both simple subqueries as well as correlated subqueries. In a simple subquery, the inner query is not correlated to the outer query. Here is an example simple subquery within a `select` clause:

```
select assetId, (select zone from ZoneClosed#lastevent) as lastClosed from
RFIDEvent
```

If the inner query is dependent on the outer query, you will have a correlated subquery. An example of a correlated subquery is shown below. Notice the `where` clause in the inner query, where the condition involves a stream from the outer query:

```
select * from RfidEvent as RFID where 'Dock 1' =
(select name from Zones#unique(zoneId) where zoneId = RFID.zoneId)
```

The example above shows a subquery in the `where` clause. The statement selects RFID events in which the zone name matches a string constant based on zone id. The statement sets `#unique` to guarantee that only the last event per zone id is retained for processing by the subquery.

The next example is a correlated subquery within a `select` clause. In this statement the `select` clause retrieves the zone name by means of a subquery against the `Zones` set of events correlated by zone id:

```
select zoneId, (select name from Zones#unique(zoneId)
where zoneId = RFID.zoneId) as name from RFIDEvent
```

Note that when a simple or correlated subquery returns multiple rows, the runtime returns a `null` value as the subquery result. To limit the number of events returned by a subquery consider using one of the `#lastevent`, `#unique` data windows or aggregation functions or the multi-row and multi-column-select as described below.

The `select` clause of a subquery also allows wildcard selects, which return as an event property the underlying event object of the event type as defined in the `from` clause. An example:

```
select (select * from MarketData#lastevent) as md
  from pattern [every timer:interval(10 sec)]
```

The output events to the statement above contain the underlying MarketData event in a property named "md". The statement populates the last MarketData event into a property named "md" every 10 seconds following the pattern definition, or populates a `null` value if no MarketData event has been encountered so far.

Aggregation functions may be used in the `select` clause of the subselect as this example outlines:

```
select * from MarketData
where price > (select max(price) from MarketData(symbol='GOOG')#lastevent)
```

As the sub-select expression is evaluated first (by default), the query above actually never fires for the GOOG symbol, only for other symbols that have a price higher than the current maximum for GOOG. As a sidenote, the `insert into` clause can also be handy to compute aggregation results for use in multiple subqueries.

When using aggregation functions in a correlated subselect the runtime computes the aggregation based on data window (if provided), named window or table contents matching the where-clause.

The following example compares the quantity value provided by the current order event against the total quantity of all order events in the last 1 hour for the same client.

```
select * from OrderEvent oe
where qty >
  (select sum(qty) from OrderEvent#time(1 hour) pd
   where pd.client = oe.client)
```

Filter expressions in a pattern or stream may also employ subqueries. Subqueries can be uncorrelated or can be correlated to properties of the stream or to properties of tagged events in a pattern. Subqueries may reference named windows and tables as well.

The following example filters `BarData` events that have a close price less than the last moving average (field `movAgv`) as provided by stream `SMA20Stream` (an uncorrelated subquery):

```
select * from BarData(ticker='MSFT', closePrice <
  (select movAgv from SMA20Stream(ticker='MSFT')#lastevent))
```

A few generic examples follow to demonstrate the point. The examples use short event and property names so they are easy to read. Assume `A` and `B` are streams and `DNamedWindow` is a

named window, and `ETable` is a table and properties `a_id`, `b_id`, `d_id`, `e_id`, `a_val`, `b_val`, `d_val`, `e_val` respectively:

```
// Sample correlated subquery as part of stream filter criteria
select * from A(a_val in
  (select b_val from B#unique(b_val) as b where a.a_id = b.b_id)) as a
```

```
// Sample correlated subquery against a named window
select * from A(a_val in
  (select d_val from DNamedWindow as d where a.a_id = d.d_id)) as a
```

```
// Sample correlated subquery in the filter criteria as part of a pattern,
querying a named window
select * from pattern [
  a=A -> b=B(bvalue =
    (select d_val from DNamedWindow as d where d.d_id = b.b_id and d.d_id =
    a.a_id))
]
```

```
// Sample correlated subquery against a table
select * from A(a_val in
  (select e_val from ETable as e where a.a_id = e.e_id)) as a
```

Subquery state starts to accumulate as soon as a statement starts (and not only when a pattern-subexpression activates).

The following restrictions apply to subqueries:

1. Subqueries can only consist of a `select` clause, a `from` clause, a `where` clause, a `group by` clause and a `having` clause. Joins, outer-joins and output rate limiting are not permitted within subqueries.
2. If using aggregation functions in a subquery, note these limitations:
 - a. None of the properties of the correlated stream(s) can be used within aggregation functions.
 - b. The properties of the subselect stream must all be within aggregation functions.
3. With the exception of subqueries against named windows and tables and subqueries that are both uncorrelated and fully-aggregated, the subquery stream definition must define a data window to limit subquery results, for the purpose of identifying the events held for subquery execution.
4. The `having`-clause, if present, requires that properties of the selected stream are aggregated and does not allow un-aggregated properties of the selected stream. You may use the `first` aggregation function to obtain properties of the selected stream instead.

The order of evaluation of subqueries relative to the containing statement is guaranteed: If the containing statement and its subqueries are reacting to the same type of event, the subquery will receive the event first before the containing statement's clauses are evaluated. This behavior can be changed via configuration. The order of evaluation of subqueries is not guaranteed between subqueries.

Performance of your statement containing one or more subqueries principally depends on two parameters. First, if your subquery correlates one or more columns in the subquery stream with the enclosing statement's streams, the compiler determines and the runtime automatically builds the appropriate indexes for fast row retrieval based on the key values correlated (joined). The second parameter is the number of rows found in the subquery stream and the complexity of the filter criteria (*where* clause), as each row in the subquery stream must evaluate against the *where* clause filter.

5.11.1. The '*Exists*' Keyword

The *exists* condition is considered "to be met" if the subquery returns at least one row. The *not exists* condition is considered true if the subquery returns no rows.

The synopsis for the *exists* keyword is as follows:

```
exists (subquery)
```

Let's take a look at a simple example. The following is a statement that uses the *exists* condition:

```
select assetId from RFIDEvent as RFID
  where exists (select * from Asset#unique(assetId) where assetId = RFID.assetId)
```

This select statement will return all RFID events where there is at least one event in Assets unique by asset id with the same asset id.

5.11.2. The '*In*' and '*Not In*' Keywords

The *in* subquery condition is true if the value of an expression matches one or more of the values returned by the subquery. Consequently, the *not in* condition is true if the value of an expression matches none of the values returned by the subquery.

The synopsis for the *in* keyword is as follows:

```
expression in (subquery)
```

The right-hand side subquery must return exactly one column.

The next statement demonstrates the use of the *in* subquery condition:

```
select assetId from RFIDEvent
  where zone in (select zone from ZoneUpdate(status = 'closed')#time(10 min))
```

The above statement demonstrated the `in` subquery to select RFID events for which the zone status is in a closed state.

Note that if the left-hand expression yields null, or if there are no equal right-hand values and at least one right-hand row yields null, the result of the `in` construct will be null, not false (or true for `not-in`). This is in accordance with SQL's normal rules for Boolean combinations of null values.

5.11.3. The 'Any' and 'Some' Keywords

The `any` subquery condition is true if the expression returns true for one or more of the values returned by the subquery.

The synopsis for the `any` keyword is as follows:

```
expression operator any (subquery)
expression operator some (subquery)
```

The left-hand expression is evaluated and compared to each row of the subquery result using the given operator, which must yield a Boolean result. The result of `any` is "true" if any true result is obtained. The result is "false" if no true result is found (including the special case where the subquery returns no rows).

The *operator* can be any of the following values: `=`, `!=`, `<>`, `<`, `<=`, `>`, `>=`.

The `some` keyword is a synonym for `any`. The `in` construct is equivalent to `= any`.

The right-hand side subquery must return exactly one column.

The next statement demonstrates the use of the `any` subquery condition:

```
select * from ProductOrder as ord
  where quantity < any
    (select minimumQuantity from MinimumQuantity#keepall)
```

The above statement compares ProductOrder event's quantity value with all rows from the MinimumQuantity stream of events and returns only those ProductOrder events that have a quantity that is less than any of the minimum quantity values of the MinimumQuantity events.

Note that if there are no successes and at least one right-hand row yields null for the operator's result, the result of the `any` construct will be null, not false. This is in accordance with SQL's normal rules for Boolean combinations of null values.

5.11.4. The 'All' Keyword

The `all` subquery condition is true if the expression returns true for all of the values returned by the subquery.

The synopsis for the `all` keyword is as follows:

```
expression operator all (subquery)
```

The left-hand expression is evaluated and compared to each row of the subquery result using the given operator, which must yield a Boolean result. The result of `all` is "true" if all rows yield true (including the special case where the subquery returns no rows). The result is "false" if any false result is found. The result is `null` if the comparison does not return false for any row, and it returns `null` for at least one row.

The *operator* can be any of the following values: `=`, `!=`, `<>`, `<`, `<=`, `>`, `>=`.

The `not in` construct is equivalent to `!= all`.

The right-hand side subquery must return exactly one column.

The next statement demonstrates the use of the `all` subquery condition:

```
select * from ProductOrder as ord
  where quantity < all
    (select minimumQuantity from MinimumQuantity#keepall)
```

The above statement compares `ProductOrder` event's quantity value with all rows from the `MinimumQuantity` stream of events and returns only those `ProductOrder` events that have a quantity that is less than all of the minimum quantity values of the `MinimumQuantity` events.

5.11.5. Subquery With `Group By` Clause

The optional `group by` clause in subqueries works the same way as the group-by clause outside of subqueries, except that it impacts only those aggregations within the subquery.

The following restrictions apply:

1. Expressions in the group-by clause cannot contain aggregate functions, subqueries or the `prev` and `prior` functions.
2. Subqueries only support the fully-aggregated case when using group-by: All non-aggregated properties in the select clause must be listed in the group by clause.
3. The group-by expressions cannot be correlated. All properties in the `group by` must be provided by the subselect stream.

5.11.6. Multi-Column Selection

Your subquery may select multiple columns in the `select` clause including multiple aggregated values from a data window or named window or table.

The following example is a correlated subquery that selects wildcard and in addition selects the `bid` and `offer` properties of the last `MarketData` event for the same symbol as the arriving `OrderEvent`:

```
select *,
  (select bid, offer from MarketData#unique(symbol) as md
   where md.symbol = oe.symbol) as bidoffer
from OrderEvent oe
```

Output events for the above statement contain all properties of the original `OrderEvent` event. In addition each output event contains a `bidoffer` nested property that itself contains the `bid` and `offer` properties. You may retrieve the `bid` and `offer` from output events directly via the `bidoffer.bid` property name syntax for nested properties.

The next example is similar to the above statement but instead selects aggregations and selects from a named window by name `OrderNamedWindow` (creation not shown here). For each arriving `OrderEvent` it selects the total quantity and count of all order events for the same client, as currently held by the named window:

```
select *,
  (select sum(qty) as sumPrice, count(*) as countRows
   from OrderNamedWindow as onw
   where onw.client = oe.client) as pastOrderTotals
from OrderEvent as oe
```

The next statement computes a prorated quantity considering the maximum and minimum quantity for the last 1 minute of order events:

```
expression subq {
  (select max(quantity) as maxq, min(quantity) as minq from OrderEvent#time(1
  min))
}
select (quantity - minq) / (subq().maxq - subq().minq) as prorated
from OrderEvent
```

Output events for the above statement contain all properties of the original `OrderEvent` event. In addition each output event contains a `pastOrderTotals` nested property that itself contains the `sumPrice` and `countRows` properties.

5.11.7. Multi-Row Selection

While a subquery cannot change the cardinality of the selected stream, a subquery can return multiple values from the selected data window or named window or table. This section shows examples of the `window` aggregation function as well as the use of enumeration methods with subselects.

Consider using an inner join, outer join or unidirectional join instead to achieve a 1-to-many cardinality in the number of output events.

The next example is an uncorrelated subquery that selects all current `ZoneEvent` events considering the last `ZoneEvent` per zone for each arriving `RFIDEvent`.

```
select assetId,  
       (select window(z.*) as winzones from ZoneEvent#unique(zone) as z) as zones  
from RFIDEvent
```

Output events for the above statement contain two properties: the `assetId` property and the `zones` property. The latter property is a nested property that contains the `winzones` property. You may retrieve the zones from output events directly via the `zones.winzones` property name syntax for nested properties.

In this example for a correlated subquery against a named window, assume that the `OrderNamedWindow` has been created and contains order events. The statement returns for each `MarketData` event the list of order ids for orders with the same symbol:

```
select price,  
       (select window(orderId) as winorders  
        from OrderNamedWindow onw  
        where onw.symbol = md.symbol) as orderIds  
from MarketData md
```

Output events for the above statement contain two properties: the `price` property and the `orderIds` property. The latter property is a nested property that contains the `winorders` property of type array.

Another option to reduce selected rows to a single value is through the use of enumeration methods.

```
select price,  
       (select * from OrderNamedWindow onw  
        where onw.symbol = md.symbol).selectFrom(v => v) as ordersSymbol  
from MarketData md
```

Output events for the above statement also contain a Collection of underlying events in the `ordersSymbol` property.

5.11.8. Hints Related to Subqueries

The following hints are available to tune performance and memory use of subqueries.

Use the `@Hint('set_noindex')` hint for a statement that utilizes one or more subqueries. It instructs the runtime to always perform a full scan. The runtime does not build an implicit index or use an explicitly-created index when this hint is provided. Use of the hint may result in reduced memory use but poor statement performance.

The following hints are available to tune performance and memory use of subqueries that select from named windows (does not apply to tables).

Named windows are globally-visible data windows. As such an application may create explicit indexes as discussed in [Section 6.9, “Explicitly Indexing Named Windows and Tables”](#). The runtime may also elect to create implicit indexes (no `create-index` EPL required) for index-based lookup of rows when executing `on-select`, `on-merge`, `on-update` and `on-delete` statements and for statements that subquery a named window.

By default and without specifying a hint, each statement that subqueries a named window also maintains its own index for looking up events held by the named window. The runtime maintains the index by consuming the named window insert and remove stream. When the statement is undeployed it releases that index.

Specify the `@Hint('enable_window_subquery_indexshare')` hint to enable subquery index sharing for named windows. When using this hint, indexes for subqueries are maintained by the named window itself (and not each statement context partition). However only indexes explicitly created with `create index` are used in this case. Specify the hint once as part of the `create window` statement.

This sample statement creates a named window with subquery index sharing enabled:

```
@Hint('enable_window_subquery_indexshare')
create window OrdersNamedWindow#keepall as OrderMapEventType
```

When subquery index sharing is enabled, performance may increase as named window stream consumption is no longer needed for correlated subqueries. You may also expect reduced memory use especially if a large number of statements perform similar subqueries against a named window. Subquery index sharing may require additional short-lived object creation and may slightly increase lock held time for named windows.

The following statement performs a correlated subquery against the named window above. When a settlement event arrives it select the order detail for the same order id as provided by the settlement event:

```
select
  (select * from OrdersNamedWindow as onw
   where onw.orderId = se.orderId) as orderDetail
from SettlementEvent as se
```

With subquery index sharing enabled and only when a suitable index exists the query planner uses the index. A sample index is:

```
create index MyIndex on OrdersNamedWindow(orderId)
```

You may disable subquery index sharing for a specific statement by specifying the `@Hint('disable_window_subquery_indexshare')` hint, as this example shows, causing the statement to maintain its own index:

```
@Hint('disable_window_subquery_indexshare')
select
  (select * from OrdersNamedWindow as onw
   where onw.orderId = se.orderId) as orderDetail
from SettlementEvent as se
```

5.12. Joining Event Streams

5.12.1. Introducing Joins

Two or more event streams can be part of the `from`-clause and thus both (all) streams determine the resulting events. This section summarizes the important concepts. The sections that follow present more detail on each topic.

The default join is an inner join which produces output events only when there is at least one match in all streams.

Consider the sample statement shown next:

```
select * from TickEvent#lastevent, NewsEvent#lastevent
```

The above statement outputs the last `TickEvent` and the last `NewsEvent` in one output event when either a `TickEvent` or a `NewsEvent` arrives. If no `TickEvent` was received before a `NewsEvent` arrives, no output occurs. Similarly when no `NewsEvent` was received before a `TickEvent` arrives, no output occurs.

The `where`-clause lists the join conditions that the compiler uses to relate events in the two or more streams.

The next example statement retains the last TickEvent and last NewsEvent per symbol, and joins the two streams based on their symbol value:

```
select * from TickEvent#unique(symbol) as t, NewsEvent#unique(symbol) as n
where t.symbol = n.symbol
```

As before, when a TickEvent arrives for a symbol that has no matching NewsEvent then there is no output event.

An outer join does not require each event in either stream to have a matching event. The full outer join is useful when output is desired when no match is found. The different outer join types (full, left, right) are explained in more detail below.

This example statement is an outer-join and also returns the last TickEvent and last NewsEvent per symbol:

```
select * from TickEvent#unique(symbol) as t
full outer join NewsEvent#unique(symbol) as n on t.symbol = n.symbol
```

In the sample statement above, when a TickEvent arrives for a symbol that has no matching NewsEvent, or when a NewsEvent arrives for a symbol that has no matching TickEvent, the statement still produces an output event with a null column value for the missing event.

Note that each of the sample statements above defines a data window. The sample statements above use the last-event data window (`#lastevent`) or the unique data window (`#unique`). A data window serves to indicate the subset of events to join from each stream and may be required depending on the join.

In above statements, when either a TickEvent arrives or when a NewsEvent arrives then the statement evaluates and there is output. The same holds true if additional streams are added to the `from`-clause: Each of the streams in the `from`-clause trigger the join to evaluate.

The `unidirectional` keyword instructs the runtime to evaluate the join only when an event arrives from the single stream that was marked with the `unidirectional` keyword. In this case no data window should be specified for the stream marked as `unidirectional` since the keyword implies that the current event of that stream triggers the join.

Here is the sample statement above with `unidirectional` keyword, so that output occurs only when a TickEvent arrives and not when a NewsEvent arrives:

```
select * from TickEvent as t unidirectional, NewsEvent#unique(symbol) as n
where t.symbol = n.symbol
```

It is oftentimes the case that an aggregation (count, sum, average) only needs to be calculated in the context of an arriving event or timer. Consider using the `unidirectional` keyword when aggregating over joined streams.

An EPL pattern is a normal citizen also providing a stream of data consisting of pattern matches. A time pattern, for example, can be useful to evaluate a join and produce output upon each interval.

This sample statement includes a pattern that fires every 5 seconds and thus triggers the join to evaluate and produce output, computing an aggregated total quantity per symbol every 5 seconds:

```
select  symbol,      sum(qty)    from  pattern[every  timer:interval(5  sec)]
        unidirectional,
        TickEvent#unique(symbol) t, NewsEvent#unique(symbol) as n
where t.symbol = n.symbol group by symbol
```

Named windows as well as reference and historical data such as stored in your relational database, and data returned by a method/script/UDF invocation, can also be included in joins as discussed in [Section 5.13, “Accessing Relational Data via SQL”](#) and [Section 5.14, “Accessing Non-Relational Data via Method, Script or UDF Invocation”](#).

Related to joins are subqueries: A subquery is a `select` within another statement, see [Section 5.11, “Subqueries”](#)

The compiler performs extensive statement analysis and planning, building internal indexes and strategies as required to allow fast evaluation of many types of statements.

5.12.2. Inner (Default) Joins

Each point in time that an event arrives to one of the event streams, the two event streams are joined and output events are produced according to the `where` clause when matching events are found for all joined streams.

This example joins 2 event streams. The first event stream consists of fraud warning events for which it keep the last 30 minutes. The second stream is withdrawal events for which it considers the last 30 seconds. The streams are joined on account number.

```
select fraud.accountNumber as acctNum, fraud.warning as warn, withdraw.amount
as amount,
       max(fraud.timestamp, withdraw.timestamp) as timestamp, 'withdrawlFraud'
as desc
from FraudWarningEvent#time(30 min) as fraud, WithdrawalEvent#time(30 sec)
as withdraw
where fraud.accountNumber = withdraw.accountNumber
```

Joins can also include one or more pattern statements as the next example shows:

```
select * from FraudWarningEvent#time(30 min) as fraud,
       pattern [every w=WithdrawalEvent -> PINChangeEvent(acct=w.acct)]#lastevent
as withdraw
where fraud.accountNumber = withdraw.w.accountNumber
```

The statement above joins the last 30 minutes of fraud warnings with a pattern. The pattern consists of every withdrawal event that is followed by a PIN change event for the same account number. It joins the two event streams on account number. The last-event window instructs the join to only consider the last pattern match.

In a join and outer join, your statement must declare a data window onto each stream. Streams that are marked as unidirectional and named windows and tables as well as database or methods in a join are an exception and do not require a data window. If you are joining an event to itself via contained-event selection, data windows also do not need to be specified. The reason that a data window must be declared is that a data window specifies which events are considered for the join (i.e. last event, last 10 events, all events, last 1 second of events etc.).

The next example joins all FraudWarningEvent events that arrived since the statement was started, with the last 20 seconds of PINChangeEvent events:

```
select * from FraudWarningEvent#keepall as fraud, PINChangeEvent#time(20 sec)
as pin
where fraud.accountNumber = pin.accountNumber
```

The above example employed the special keep-all window that retains all events.

5.12.3. Outer, Left and Right Joins

EPL supports left outer joins, right outer joins, full outer joins and inner joins in any combination between an unlimited number of event streams. Outer and inner joins can also join reference and historical data as explained in [Section 5.13, “Accessing Relational Data via SQL”](#), as well as join data returned by a method, script or UDF invocation as outlined in [Section 5.14, “Accessing Non-Relational Data via Method, Script or UDF Invocation”](#).

The keywords `left`, `right`, `full` and `inner` control the type of the join between two streams. The optional `on` clause specifies one or more properties that join each stream. The synopsis is as follows:

```
...from stream_def [as name]
  ((left|right|full outer) | inner) join stream_def
  [on property = property [and property = property ...] ]
  [ ((left|right|full outer) | inner) join stream_def [on ...]]...
```

If the outer join is a left outer join, there will be at least one output event for each event of the stream on the left-hand side of the clause. For example, in the left outer join shown below you

get output for each event in the stream RfidEvent, even if the event does not match any event in the event stream OrderList.

```
select * from RfidEvent#time(30 sec) as rfid
  left outer join
  OrderList#length(10000) as orderlist
  on rfid.itemId = orderList.itemId
```

Similarly, if the join is a Right Outer Join, then there will be at least one output event for each event of the stream on the right-hand side of the clause. For example, in the right outer join shown below you get output for each event in the stream OrderList, even if the event does not match any event in the event stream RfidEvent.

```
select * from RfidEvent#time(30 sec) as rfid
  right outer join
  OrderList#length(10000) as orderlist
  on rfid.itemId = orderList.itemId
```

For all types of outer joins, if the join condition is not met, the select list is computed with the event properties of the arrived event while all other event properties are considered to be null.

The next type of outer join is a full outer join. In a full outer join, each point in time that an event arrives to one of the event streams, one or more output events are produced. In the example below, when either an RfidEvent or an OrderList event arrive, one or more output event is produced. The next example shows a full outer join that joins on multiple properties:

```
select * from RfidEvent#time(30 sec) as rfid
  full outer join
  OrderList#length(10000) as orderlist
  on rfid.itemId = orderList.itemId and rfid.assetId = orderList.assetId
```

The last type of join is an inner join. In an inner join, the runtime produces at least one output event for each event of the stream on the left-hand side that matches at least one event on the right hand side considering the join properties. For example, in the inner join shown below you get output for each event in the RfidEvent stream that matches one or more events in the OrderList data window:

```
select * from RfidEvent#time(30 sec) as rfid
  inner join
  OrderList#length(10000) as orderlist
  on rfid.itemId = orderList.itemId and rfid.assetId = orderList.assetId
```


Patterns as streams in a join follow this rule: If your statement does not specify a data window for the pattern then the pattern stream retains the last match. Thus a pattern must have matched at least once for the last match to become available in a join. Multiple rows from a pattern stream may be retained by declaring a data window onto a pattern using the `pattern [...]#window_spec` syntax.

This example outer joins multiple streams. Here the `RfidEvent` stream is outer joined to both `ProductName` and `LocationDescription` via left outer join:

```
select * from RfidEvent#time(30 sec) as rfid
  left outer join ProductName#keepall as refprod
    on rfid.productId = refprod.prodId
  left outer join LocationDescription#keepall as refdesc
    on rfid.location = refdesc.locId
```

If the optional `on` clause is specified, it may only employ the `=` equals operator and property names. Any other operators must be placed in the `where`-clause. The stream names that appear in the `on` clause may refer to any stream in the `from`-clause.

Your EPL may also provide no `on` clause. This is useful when the streams that are joined do not provide any properties to join on, for example when joining with a time-based pattern.

The next example employs a unidirectional left outer join such that the runtime, every 10 seconds, outputs a count of the number of `RfidEvent` events in the 60-second time window.

```
select count(*) from
  pattern[every timer:interval(1)] unidirectional
  left outer join
  RfidEvent#time(60 sec)
```

5.12.4. Unidirectional Joins

In a join or outer join your statement lists multiple event streams, data windows and/or patterns in the `from` clause. As events arrive into the runtime, each of the streams (data windows, patterns) provides insert and remove stream events. The runtime evaluates each insert and remove stream event provided by each stream, and joins or outer joins each event against data window contents of each stream, and thus generates insert and remove stream join results.

The direction of the join execution depends on which stream or streams are currently providing an insert or remove stream event for executing the join. A join is thus multidirectional, or bidirectional when only two streams are joined. A join can be made unidirectional if your application does not want new results when events arrive on a given stream or streams.

The `unidirectional` keyword can be used in the `from` clause to identify streams that provide the events to execute the join. If the keyword is present for a stream, all other streams in the `from`

clause become passive streams. When events arrive or leave a data window of a passive stream then the join does not generate join results.

For example, consider a use case that requires us to join stock tick events (`TickEvent`) and news events (`NewsEvent`). The `unidirectional` keyword allows to generate results only when `TickEvent` events arrive, and not when `NewsEvent` arrive or leave the 10-second time window:

```
select * from TickEvent unidirectional, NewsEvent#time(10 sec)
where tick.symbol = news.symbol
```

Aggregation functions in a `unidirectional` join aggregate within the context of each `unidirectional` event evaluation and are not cumulative. Thereby aggregation functions when used with `unidirectional` may evaluate faster as they do not need to consider a remove stream (data removed from data windows or named windows).

The count function in the next statement returns, for each `TickEvent`, the number of matching `NewsEvent` events:

```
select count(*) from TickEvent unidirectional, NewsEvent#time(10 sec)
where tick.symbol = news.symbol
```

The following restrictions apply to `unidirectional` joins:

1. The `unidirectional` keyword can only be specified for a single stream in the `from` clause, unless all streams are in a full outer join and all streams declare `unidirectional`.
2. Receiving data from a `unidirectional` join via the pull API (`iterator` method) is not allowed. This is because the runtime holds no state for the single stream that provides the events to execute the join.
3. The stream that declares the `unidirectional` keyword cannot declare a data window for that stream, since remove stream events are not processed for the single stream.

5.12.5. Unidirectional Full Outer Joins

In a full outer join all streams can be marked as `unidirectional`. This is useful for declaring multiple triggering events and for performing a union or merge of streams.

When marking more than one stream as `unidirectional`, all streams must be `unidirectional` and `inner`, `left` and `right` joins are not allowed. This is because `unidirectional` streams have an undefined depth and cannot be looked-up against.

For example, consider a use case where output should occur when either a tick event or a news event arrives:

```
select * from TickEvent as te unidirectional,
```

```
full outer join
NewsEvent as ne unidirectional
```

Place filter criteria for a given stream into parenthesis, for example:

```
select * from TickEvent(symbol='IBM') unidirectional,
full outer join
TradeEvent(symbol='IBM') unidirectional
full outer join
SettlementEvent(symbol='IBM') unidirectional
where coalesce(TickEvent.price,TradeEvent.price) > 100 // place common criteria
into a where-clause that may use coalesce
```

5.12.6. Hints Related to Joins

When joining 3 or more streams (including any relational or non-relational sources as below) it can sometimes help to provide the query planner instructions how to best execute the join. The compiler compiles a query plan for the statement. You can output the query plan to logging (see configuration).

An outer join that specifies only `inner` keywords for all streams is equivalent to an default (inner) join. The following two statements are equivalent:

```
select * from TickEvent#lastevent,
NewsEvent#lastevent where tick.symbol = news.symbol
```

Equivalent to:

```
select * from TickEvent#lastevent
inner join NewsEvent#lastevent on tick.symbol = news.symbol
```

For all types of joins, the query planner determines a query graph: The term is used here for all the information regarding what properties or expressions are used to join the streams. The query graph thus includes the where-clause expressions as well as outer-join on-clauses if this statement is an outer join. The query planner also computes a dependency graph which includes information about all historical data streams (relational and non-relational as below) and their input needs.

For default (inner) joins the query planner first attempts to find a path of execution as a nested iteration. For each stream the query planner selects the best order of streams available for the nested iteration considering the query graph and dependency graph. If the full depth of the join is achievable via nested iteration for all streams without full table scan then the query planner

uses that nested iteration plan. If not, then the query planner re-plans considering a merge join (Cartesian) approach instead.

Specify the `@Hint('prefer_merge_join')` to instruct the query planner to prefer a merge join plan instead of a nested iteration plan. Specify the `@Hint('force_nested_iter')` to instruct the query planner to always use a nested iteration plan.

For example, consider the below statement. Depending on the number of matching rows in `OrderBookOne` and `OrderBookTwo` (named windows in this example, and assumed to be defined elsewhere) the performance of the join may be better using the merge join plan.

```
@Hint('prefer_merge_join')
select * from TickEvent#lastevent t,
       OrderBookOne ob1, OrderBookOne ob2
where ob1.symbol = t.symbol and ob2.symbol = t.symbol
and ob1.price between t.buy and t.sell and ob2.price between t.buy and t.sell
```

For outer joins the query planner considers nested iteration and merge join (Cartesian) equally and above hints don't apply.

5.13. Accessing Relational Data via SQL

For NEsper .NET also see [Section J.13, “.NET Accessing Relational Data via SQL”](#).

This chapter outlines how reference data and historical data that are stored in a relational database can be queried via SQL within statements.

EPL can access via join and outer join as well as via iterator (poll) API all types of event streams to stored data. In order for such data sources to become accessible to EPL, some configuration is required. The [Section 17.4.12, “Relational Database Access”](#) explains the required configuration for database access in greater detail, and includes information on configuring a query result cache.

The compiler does not parse or otherwise inspect your SQL query. Therefore your SQL can make use of any database-specific SQL language extensions or features that your database provides.

If you have enabled SQL query result caching in your database configuration, the runtime retains SQL query results in cache following the configured cache eviction policy.

Also if you have enabled SQL query result caching in your database configuration and provide EPL `where` clause and/or `on` clause (outer join) expressions, then the runtime builds indexes on the SQL query results to enable fast lookup. This is especially useful if your SQL queries return a large number of rows. For building the proper indexes, the compiler inspects the expression found in your statement `where` clause, if present. For outer joins, the compiler also inspects your statement `on` clause. The compiler analyzes the EPL `on` clause and `where` clause expressions, if present, looking for property comparison with or without logical AND-relationships between properties. When a SQL query returns rows for caching, the runtime builds and caches the appropriate index and lookup strategies for fast row matching against indexes.

Joins or outer joins in which only SQL statements or method, script and UDF invocations are listed in the `from` clause and no other event streams are termed *passive joins*. A passive join does not produce an insert or remove stream and therefore does not invoke statement listeners with results. A passive join can be iterated on (polled) using a statement's `safeIterator` and `iterator` methods.

There are no restrictions to the number of SQL statements or types of streams joined. The following restrictions currently apply:

- An SQL query cannot declare data windows; That is, you cannot create a time or length window on an SQL query. Instead, use `insert into` to make join results available for further processing.
- Your database software must support JDBC prepared statements that provide statement meta data at compilation time. Most major databases provide this function. A workaround is available for databases that do not provide this function.
- JDBC drivers must support the `getMetadata` feature. A workaround is available as below for JDBC drivers that don't support getting metadata.

The next sections assume basic knowledge of SQL (Structured Query Language).

5.13.1. Joining SQL Query Results

To join an event stream against stored data, specify the `sql` keyword followed by the name of the database and a parameterized SQL query. The syntax to use in the `from` clause of a statement is:

```
sql:database_name [ " parameterized_sql_query " ]
```

The runtime uses the `database_name` identifier to obtain configuration information in order to establish a database connection, as well as settings that control connection creation and removal. Please see [Section 17.4.12, "Relational Database Access"](#) to configure an runtime for database access.

Following the database name is the SQL query to execute. The SQL query can contain one or more substitution parameters. The SQL query string is placed in single brackets [and]. The SQL query can be placed in either single quotes (') or double quotes ("). The SQL query grammar is passed to your database software unchanged, allowing you to write any SQL query syntax that your database understands, including stored procedure calls.

Substitution parameters in the SQL query string take the form `${expression}`. The compiler resolves *expression* at statement execution time to the actual expression result by evaluating the events in the joined event stream or current variable values, if any event property references or variables occur in the expression. An *expression* may not contain EPL substitution parameters.

The compiler determines the type of the SQL query output columns by means of the result set metadata that your database software returns for the statement. The actual SQL query results are obtained via the `getObject` on `java.sql.ResultSet`.

The sample statement below joins an event stream consisting of `CustomerCallEvent` events with the results of an SQL query against the database named `MyCustomerDB` and table `Customer`:

```
select custId, cust_name from CustomerCallEvent,  
       sql:MyCustomerDB [' select cust_name from Customer where cust_id = ${custId} ']
```

The example above assumes that `CustomerCallEvent` supplies an event property named `custId`. The SQL query selects the customer name from the `Customer` table. The `where` clause in the SQL matches the `Customer` table column `cust_id` with the value of `custId` in each `CustomerCallEvent` event. The runtime executes the SQL query for each new `CustomerCallEvent` encountered.

If the SQL query returns no rows for a given customer id, the runtime generates no output event. Else the runtime generates one output event for each row returned by the SQL query. An outer join as described in the next section can be used to control whether the runtime should generate output events even when the SQL query returns no rows.

The next example adds a time window of 30 seconds to the event stream `CustomerCallEvent`. It also renames the selected properties to `customerName` and `customerId` to demonstrate how the naming of columns in an SQL query can be used in the `select` clause in the statement. And the example uses explicit stream names via the `as` keyword.

```
select customerId, customerName from  
       CustomerCallEvent#time(30 sec) as cce,  
       sql:MyCustomerDB ["select cust_id as customerId, cust_name as customerName  
from Customer  
                           where cust_id = ${cce.custId}"] as cq
```

Any window, such as the time window, generates insert stream (`istream`) events as events enter the window, and remove stream (`rstream`) events as events leave the window. The runtime executes the given SQL query for each `CustomerCallEvent` in both the insert stream and the remove stream. As a performance optimization, the `istream` or `rstream` keywords in the `select` clause can be used to instruct the runtime to only join insert stream or remove stream events, reducing the number of SQL query executions.

Since any expression may be placed within the `${...}` syntax, you may use variables or user-defined functions as well.

The next example assumes that a variable by name `varLowerLimit` is defined and that a user-defined function `getLimit` exists on the `MyLib` imported class that takes a `LimitEvent` as a parameter:

```
select * from LimitEvent le,  
       sql:MyCustomerDB [' select cust_name from Customer where
```

```
amount > ${max(varLowerLimit, MyLib.getLimit(1e))} ']
```

The example above takes the higher of the current variable value or the value returned by the user-defined function to return only those customer names where the amount exceeds the computed limit.

5.13.2. SQL Query and the EPL `where` Clause

Consider using the EPL `where` clause to join the SQL query result to your event stream. Similar to EPL joins and outer-joins that join event streams or patterns, the EPL `where` clause provides join criteria between the SQL query results and the event stream (as a side note, an SQL `where` clause is a filter of rows executed by your database on your database server before returning SQL query results).

The compiler analyzes the expression in the EPL `where` clause and outer-join `on` clause, if present, and builds the appropriate indexes from that information at runtime, to ensure fast matching of event stream events to SQL query results, even if your SQL query returns a large number of rows. Your applications must ensure to configure a cache for your database using configuration, as such indexes are held with regular data in a cache. If your application does not enable caching of SQL query results, the runtime does not build indexes on cached data.

The sample statement below joins an event stream consisting of `OrderEvent` events with the results of an SQL query against the database named `MyRefDB` and table `SymbolReference`:

```
select symbol, symbolDesc from OrderEvent as orders,
       sql:MyRefDB ['select symbolDesc from SymbolReference'] as reference
where reference.symbol = orders.symbol
```

Notice how the EPL `where` clause joins the `OrderEvent` stream to the `SymbolReference` table. In this example, the SQL query itself does not have a SQL `where` clause and therefore returns all rows from table `SymbolReference`.

If your application enables caching, the SQL query fires only at the arrival of the first `OrderEvent` event. When the second `OrderEvent` arrives, the join execution uses the cached SQL query result. If the caching policy that you specified in the database configuration evicts the SQL query result from cache, then the runtime fires the SQL query again to obtain a new result and places the result in cache.

If SQL result caching is enabled and your EPL `where` clause, as show in the above example, provides the properties to join, then the runtime indexes the SQL query results in cache and retains the index together with the SQL query result in cache. Thus your application can benefit from high performance index-based lookups as long as the SQL query results are found in cache.

The SQL result caches operate on the level of all result rows for a given parameter set. For example, if your SQL query returns 10 rows for a certain set of parameter values then the cache

treats all 10 rows as a single entry keyed by the parameter values, and the expiry policy applies to all 10 rows and not to each individual row.

It is also possible to join multiple autonomous database systems in a single statement, for example:

```
select symbol, symbolDesc from OrderEvent as orders,
       sql:My_Oracle_DB ['select symbolDesc from SymbolReference'] as reference,
       sql:My_MySQL_DB ['select orderList from orderHistory'] as history
where reference.symbol = orders.symbol
and history.symbol = orders.symbol
```

5.13.3. Outer Joins With SQL Queries

You can use outer joins to join data obtained from an SQL query and control when an event is produced. Use a left outer join, such as in the next statement, if you need an output event for each event regardless of whether or not the SQL query returns rows. If the SQL query returns no rows, the join result populates null values into the selected properties.

```
select custId, custName from
       CustomerCallEvent as cce
left outer join
       sql:MyCustomerDB ["select cust_id, cust_name as custName
                          from Customer where cust_id = ${cce.custId}"] as cq
on cce.custId = cq.cust_id
```

The statement above always generates at least one output event for each `CustomerCallEvent`, containing all columns selected by the SQL query, even if the SQL query does not return any rows. Note the `on` expression that is required for outer joins. The `on` acts as an additional filter to rows returned by the SQL query.

5.13.4. Using Patterns to Request (Poll) Data

Pattern statements and SQL queries can also be applied together in useful ways. One such use is to poll or request data from a database at regular intervals or following the schedule of the crontab-like `timer:at`.

The next statement is an example that shows a pattern that fires every 5 seconds to query the `NewOrder` table for new orders:

```
insert into NewOrders
select orderId, orderAmount from
       pattern [every timer:interval(5 sec)],
       sql:MyCustomerDB ['select orderId, orderAmount from NewOrders']
```


5.13.5. Polling SQL Queries via Iterator

Usually your SQL query will take part in a join and thus be triggered by an event or pattern occurrence. Instead, your application may need to poll a SQL query and thus use runtime statement execution and caching facilities and obtain event data and metadata.

Your statement can specify an SQL statement without a join. Such a stand-alone SQL statement does not post new events, and may only be queried via the `iterator` poll API. Your EPL and SQL statement may still use variables.

The next statement assumes that a `price_var` variable has been declared. It selects from the relational database table named `NewOrder` all rows in which the `price` column is greater than the current value of the `price_var` EPL variable:

```
select * from sql:MyCustomerDB ['select * from NewOrder where ${price_var} > price']
```

Use the `iterator` and `safeIterator` methods on `EPStatement` to obtain results. The statement does not post events to listeners, it is strictly passive in that sense.

5.13.6. JDBC Implementation Overview

The runtime translates SQL queries into JDBC `java.sql.PreparedStatement` statements by replacing `$(name)` parameters with '?' placeholders. It obtains name and type of result columns from the compiled `PreparedStatement` meta data when the statement gets compiled.

The runtime supplies parameters to the compiled statement via the `setObject` method on `PreparedStatement`. The runtime uses the `getObject` method on the compiled statement `PreparedStatement` to obtain column values.

5.13.7. Oracle Drivers and No-Metadata Workaround

Certain JDBC database drivers are known to not return metadata for precompiled prepared SQL statements. This can be a problem as metadata is required by the compiler. The compiler obtains SQL result set metadata to validate a statement and to provide column types for output events. JDBC drivers that do not provide metadata for precompiled SQL statements require a workaround. Such drivers do generally provide metadata for executed SQL statements, however do not provide the metadata for precompiled SQL statements.

Please consult the [Chapter 17, Configuration](#) for the configuration options available in relation to metadata retrieval.

To obtain metadata for an SQL statement, the compiler can alternatively fire a SQL statement which returns the same column names and types as the actual SQL statement but without returning any rows. This kind of SQL statement is referred to as a *sample* statement in below workaround description. The compiler can then use the sample SQL statement to retrieve metadata for the column names and types returned by the actual SQL statement.

Applications can provide a sample SQL statement to retrieve metadata via the `metadatasql` keyword:

```
sql:database_name ["parameterized_sql_query" metadatasql "sql_meta_query"]
```

The `sql_meta_query` must be an SQL statement that returns the same number of columns, the same type of columns and the same column names as the `parameterized_sql_query`, and does not return any rows.

Alternatively, applications can choose not to provide an explicit sample SQL statement. If the statement does not use the `metadatasql` syntax, the compiler applies lexical analysis to the SQL statement. From the lexical analysis the compiler generates a sample SQL statement adding a restrictive clause "where 1=0" to the SQL statement.

Alternatively, you can add the following tag to the SQL statement: ``${ESPER-SAMPLE-WHERE}``. If the tag exists in the SQL statement, the compiler does not perform lexical analysis and simply replaces the tag with the SQL `where` clause "where 1=0". Therefore this workaround is applicable to SQL statements that cannot be correctly lexically analyzed. The SQL text after the placeholder is not part of the sample SQL query. For example:

```
select mycol from sql:myDB [  
  'select mycol from mytesttable `${ESPER-SAMPLE-WHERE}` where ....', ...
```

If your `parameterized_sql_query` SQL query contains vendor-specific SQL syntax, generation of the metadata query may fail to produce a valid SQL statement. If you experience an SQL error while fetching metadata, use any of the above workarounds with the Oracle JDBC driver.

5.13.8. SQL Input Parameter and Column Output Conversion

As part of database access configuration you may optionally specify SQL type mappings. These mappings apply to all SQL queries against the same database identified by name.

If your application must perform SQL-query-specific or EPL-statement-specific mapping or conversion between types, the facility to register a conversion callback exists as follows.

Use the `@Hook` instruction and `HookType.SQLCOL` as part of your statement to register a statement SQL parameter or column conversion hook. Implement the interface `com.espertech.esper.common.client.hook.type.SQLColumnTypeConversion` to perform the input parameter or column value conversion.

A sample statement with annotation is shown:

```
@Hook(type=HookType.SQLCOL, hook='MyDBTypeConvertor')  
select * from sql:MyDB ['select * from MyEventTable]
```

The compiler expects `MyDBTypeConvertor` to resolve to a class (considering imports) and instantiates one instance of `MyDBTypeConvertor` for each statement.

5.13.9. SQL Row POJO Conversion

Your application may also directly convert a SQL result row into a Java class which is an opportunity for your application to interrogate and transform the SQL row result data freely before packing the data into a Java class. Your application can additionally indicate to skip SQL result rows.

Use the `@Hook` instruction and `HookType.SQLROW` as part of your statement to register a statement SQL output row conversion hook. Implement the interface `com.espertech.esper.common.client.hook.type.SQLOutputRowConversion` to perform the output row conversion.

A sample statement with annotation is shown:

```
@Hook(type=HookType.SQLROW, hook='MyDBRowConvertor')
select * from sql:MyDB ['select * from MyEventTable']
```

The compiler expects `MyDBRowConvertor` to resolve to a class (considering imports) and instantiates one `MyDBRowConvertor` instance for each statement.

5.14. Accessing Non-Relational Data via Method, Script or UDF Invocation

Your application may need to join data that originates from a web service, a distributed cache, an object-oriented database or simply data held in memory by your application. One way to join in external data is by means of method, script or user-defined function invocation (or procedure call or function) in the `from` clause of a statement.

The results of such a method, script or UDF invocation in the `from` clause plays the same role as a relational database table in an inner and outer join in SQL.

EPL can join and outer join an unlimited number and all types of event streams to the data returned by your invocation. In addition, the runtime can be configured to cache the data returned by your method, script or UDF invocations.

Joins or outer joins in which only SQL statements or method, script or UDF invocations are listed in the `from` clause and no other event streams are termed *passive* joins. A passive join does not produce an insert or remove stream and therefore does not invoke statement listeners with results. A passive join can be iterated on (polled) using a statement's `safeIterator` and `iterator` methods.

The following restrictions currently apply:

- A invocation cannot declare data windows; That is, you cannot create a time or length window on an invocation. Instead, use `insert into` to make join results available for further processing.

5.14.1. Joining Method, Script or UDF Invocation Results

The syntax for a method, script or UDF invocation in the `from` clause of a statement is:

```
method:  
  [class_or_variable_name.]method_script_udf_name[(parameter_expressions)]  
  [@type(eventtype_name)]
```

The `method` keyword denotes a method, script or UDF invocation. It is followed by an optional class or variable name. The `method_script_udf_name` is the name of the method, script or user-defined function. If you have parameters to your method, script or UDF invocation, these are placed in parentheses after the method or script name. Any expression is allowed as a parameter, and individual parameter expressions are separated by a comma. Expressions may also use event properties of the joined stream.

In case the return type of the method is `EventBean` instances, you must provide the `@type` annotation to name the event type of events returned. Otherwise `@type` is not allowed.

In the sample join statement shown next, the method `lookupAsset` provided by class (or variable) `MyLookupLib` returns one or more rows based on the asset id (a property of the `AssetMoveEvent`) that is passed to the method:

```
select * from AssetMoveEvent, method:MyLookupLib.lookupAsset(assetId)
```

The following statement demonstrates the use of the `where` clause to join events to the rows returned by an invocation, which in this example does not take parameters:

```
select assetId, assetDesc from AssetMoveEvent as asset,  
       method:MyLookupLib.getAssetDescriptions() as desc  
where asset.assetid = desc.assetid
```

Your method, script or UDF invocation may return zero, one or many rows for each invocation. If you have caching enabled through configuration, then the runtime can avoid the invocation and instead use cached results. Similar to SQL joins, the runtime also indexes cached result rows such that join operations based on the `where` clause or outer-join `on` clause can be very efficient, especially if your invocation returns a large number of rows.

If the time taken by method, script or UDF invocations is critical to your application, you may configure local caches as [Section 17.4.11, “From-Clause Method Invocation”](#) describes.

The compiler analyzes the expression in the EPL `where` clause and outer-join `on` clause, if present, and builds the appropriate indexes from that information at runtime, to ensure fast matching of

event stream events to invocation results, even if your invocation returns a large number of rows. Your applications must ensure to configure a cache for your invocation using configuration, as such indexes are held with regular data in a cache. If your application does not enable caching of invocation results, the runtime does not build indexes on cached data.

5.14.2. Polling Invocation Results via Iterator

Usually your invocation will take part in a join and thus be triggered by an event or pattern occurrence. Instead, your application may need to poll an invocation and thus use SQL query execution and caching facilities and obtain event data and metadata.

Your statement can specify an invocation in the `from` clause without a join. Such a stand-alone invocation does not post new events, and may only be queried via the `iterator poll` API. Your statement may still use variables.

The next statement assumes that a `category_var` variable has been declared. It polls the `getAssetDescriptions` method passing the current value of the `category_var` EPL variable:

```
select * from method:MyLookupLib.getAssetDescriptions(category_var)]
```

Use the `iterator` and `safeIterator` methods on `EPStatement` to obtain results. The statement does not post events to listeners, it is strictly passive in that sense.

5.14.3. Providing the Method

Your application can provide a public static method or can provide an instance method of an existing object. The declaring class must be public as well. The method must accept the same number and type of parameters as listed in the parameter expression list.

The examples herein mostly use public static methods. For a detail description of instance methods please see [Section 5.17.5, "Class and Event-Type Variables"](#) and below example.

If your invocation returns either no row or only one row, then the return type of the method can be a Java class, `java.util.Map` or `Object[]` (object-array). If your invocation can return more than one row, then the return type of the method must be an array of Java class, array of `Map`, `Object[][]` (object-array 2-dimensional) or `Collection` or `Iterator` (or subtypes thereof).

If you are using a Java class, an array of Java class or a `Collection<Class>` or an `Iterator<Class>` as the return type, then the class must adhere to JavaBean conventions: it must expose properties through getter methods.

If you are using `java.util.Map` or an array of `Map` or a `Collection<Map>` or an `Iterator<Map>` as the return type, please note the following:

- Your application must provide a second method that returns event property metadata, as the next section outlines.

- Each map instance returned by your method should have `String`-type keys and object values (`Map<String, Object>`).

If you are using `Object[]` (object-array) or `Object[][]` (object-array 2-dimensional) or `Collection<Object[]>` or `Iterator<Object[]>` as the return type, please note the following:

- Your application must provide a second method that returns event property metadata, as the next section outlines.
- Each object-array instance returned by your method should have the exact same array position for values as the property metadata indicates and the array length must be the same as the number of properties.

Your application method must return either of the following:

1. A `null` value or an empty array to indicate an empty result (no rows).
2. A Java object or `Map` or `Object[]` to indicate a zero (null) or one-row result.
3. Return multiple result rows by returning either:
 - An array of Java objects.
 - An array of `Map` instances.
 - An array of `Object[]` instances.
 - An array of `EventBean[]` instances (requires `@type`).
 - A `Collection` of Java objects.
 - A `Collection` of `Map` instances.
 - A `Collection` of `Object[]` instances.
 - A `Collection` of `EventBean[]` instances (requires `@type`).
 - An `Iterator` of Java objects.
 - An `Iterator` of `Map` instances.
 - An `Iterator` of `Object[]` instances.
 - An `Iterator` of `EventBean[]` instances (requires `@type`).

As an example, consider the method 'getAssetDescriptions' provided by class 'MyLookupLib' as discussed earlier:

```
select assetId, assetDesc from AssetMoveEvent as asset,
       method:com.mypackage.MyLookupLib.getAssetDescriptions() as desc
where asset.assetid = desc.assetid
```

The 'getAssetDescriptions' method may return multiple rows and is therefore declared to return an array of the class 'AssetDesc'. The class AssetDesc is a POJO class (not shown here):

```
public class MyLookupLib {
    ...
    public static AssetDesc[] getAssetDescriptions() {
        ...
        return new AssetDesc[] {...};
    }
}
```

The example above specifies the full Java class name of the class 'MyLookupLib' class in the statement. The package name does not need to be part of the EPL if your application imports the package using the auto-import configuration through the API or XML, as outlined in [Section 17.4.2, "Class and Package Imports"](#).

Alternatively the example above could return a `Collection` wherein the method declares as `public static Collection<AssetDesc> getAssetDescriptions() {...}` or an `Iterator` wherein the method declares as `public static Iterator<AssetDesc> getAssetDescriptions() {...}`.

Method overloading is allowed as long as overloaded methods return the same result type.

5.14.3.1. Providing an Instance Method

If your application has an existing object instance such as a service or a dependency injected bean then it must make the instance available as a variable. Please see [Section 5.17.5, "Class and Event-Type Variables"](#) for more information.

For example, assuming you provided a `stateChecker` variable that points to an object instance that provides a public `getMatchingAssets` instance method and that returns property `assetIds`, you may use the state checker service in the `from`-clause as follows:

```
select          assetIds          from          AssetMoveEvent ,
method:stateChecker.getMatchingAssets(assetDesc)
```

5.14.4. Using a `Map` Return Type

Your application may return `java.util.Map` or an array of `Map` from invocations. If doing so, your application must provide metadata about each row: it must declare the property name and property type of each `Map` entry of a row. This information allows the compiler to perform type checking of expressions used within the statement.

You declare the property names and types of each row by providing a method that returns property metadata. The metadata method must follow these conventions:

1. The method name providing the property metadata must have same method name appended by the literal `Metadata`.
2. The method must have an empty parameter list and must be declared public and static.
3. The method providing the metadata must return a `Map` of `String` property name keys and `java.lang.Class` property name types (`Map<String, Class>`).

In the following example, a class 'MyLookupLib' provides a method to return historical data based on asset id and asset code:

```
select assetId, location, x_coord, y_coord from AssetMoveEvent as asset,
       method:com.mypackage.MyLookupLib.getAssetHistory(assetId, assetCode) as
       history
```

A sample implementation of the class 'MyLookupLib' is shown below.

```
public class MyLookupLib {
    ...
    // For each column in a row, provide the property name and type
    //
    public static Map<String, Class> getAssetHistoryMetadata() {
        Map<String, Class> propertyNames = new HashMap<String, Class>();
        propertyNames.put("location", String.class);
        propertyNames.put("x_coord", Integer.class);
        propertyNames.put("y_coord", Integer.class);
        return propertyNames;
    }
    ...
    // Lookup rows based on assetId and assetCode
    //
    public static Map<String, Object>[] getAssetHistory(String assetId, String
assetCode) {
        Map rows = new Map[2]; // this sample returns 2 rows
        for (int i = 0; i < 2; i++) {
            rows[i] = new HashMap();
            rows[i].put("location", "somevalue");
            rows[i].put("x_coord", 100);
            // ... set more values for each row
        }
        return rows;
    }
}
```

In the example above, the 'getAssetHistoryMetadata' method provides the property metadata: the names and types of properties in each row. The compiler calls this method once per statement to determine event typing information.

The 'getAssetHistory' method returns an array of `Map` objects that are two rows. The implementation shown above is a simple example. The parameters to the method are the `assetId` and `assetCode` properties of the `AssetMoveEvent` joined to the method. The runtime calls this method for each insert and remove stream event in `AssetMoveEvent`.

To indicate that no rows are found in a join, your application method may return either a `null` value or an array of size zero.

Alternatively the example above could return a `Collection` wherein the method declares as `public static Collection<Map> getAssetHistory() {...}` or an `Iterator` wherein the method declares as `public static Iterator<Map> getAssetHistory() {...}`.

5.14.5. Using a Object Array Return Type

Your application may return `Object[]` (object-array) or an array of `Object[]` (object-array 2-dimensional) from invocations. If doing so, your application must provide metadata about each row: it must declare the property name and property type of each array entry of a row in the exact same order as provided by value rows. This information allows the runtime to perform type checking of expressions used within the statement.

You declare the property names and types of each row by providing a method that returns property metadata. The metadata method must follow these conventions:

1. The method name providing the property metadata must have same method name appended by the literal `Metadata`.
2. The method must have an empty parameter list and must be declared `public` and `static`.
3. The method providing the metadata must return a `LinkedHashMap` of `String` property name keys and `java.lang.Class` property name types (`Map<String, Class>`).

In the following example, a class 'MyLookupLib' provides a method to return historical data based on asset id and asset code:

```
select assetId, location, x_coord, y_coord from AssetMoveEvent as asset,
       method:com.mypackage.MyLookupLib.getAssetHistory(assetId, assetCode) as
       history
```

A sample implementation of the class 'MyLookupLib' is shown below.

```
public class MyLookupLib {
    ...
    // For each column in a row, provide the property name and type
    //
    public static LinkedHashMap<String, Class> getAssetHistoryMetadata() {
        LinkedHashMap<String, Class> propertyNames = new LinkedHashMap<String,
        Class>();
```

```
propertyNames.put("location", String.class);
propertyNames.put("x_coord", Integer.class);
propertyNames.put("y_coord", Integer.class);
return propertyNames;
}
...
// Lookup rows based on assetId and assetCode
//
public static Object[][] getAssetHistory(String assetId, String assetCode) {
    Object[][] rows = new Object[5][]; // this sample returns 5 rows
    for (int i = 0; i < 5; i++) {
        rows[i] = new Object[2]; // single row has 2 fields
        rows[i][0] = "somevalue";
        rows[i][1] = 100;
        // ... set more values for each row
    }
    return rows;
}
```

In the example above, the 'getAssetHistoryMetadata' method provides the property metadata: the names and types of properties in each row. The compiler calls this method once per statement to determine event typing information.

The 'getAssetHistory' method returns an `Object[][]` that represents five rows. The implementation shown above is a simple example. The parameters to the method are the `assetId` and `assetCode` properties of the `AssetMoveEvent` joined to the method. The runtime calls this method for each insert and remove stream event in `AssetMoveEvent`.

To indicate that no rows are found in a join, your application method may return either a `null` value or an array of size zero.

Alternatively the example above could return a `Collection` wherein the method declares as `public static Collection<Object[]> getAssetHistory() {...}` or an `Iterator` wherein the method declares as `public static Iterator<Object[]> getAssetHistory() {...}`.

5.14.6. Using an `EventBean` Return Type

When the return type is `EventBean[]`, `Collection<EventBean>` or `Iterator<EventBean>`, you must specify the event type name using `@type`.

For example assuming the event type `ItemEvent` is declared as `create schema ItemEvent(p0 string)`:

```
select * from MyEvent, method:MyLib.myFunc() @type(ItemEvent)
```

```
public static EventBean[] myFunc(EPLMethodInvocationContext context) {
```

```

EventBean[] events = new EventBean[1];
                                events[0] =
"hello"), "ItemEvent");
return events;
}

```

5.14.7. Providing the Script

Your script must declare the return type as `EventBean[]`. In the `@type` annotation you must provide an event type name.

For example assuming the event type `ItemEvent` is declared as `create schema ItemEvent(id string)`:

```
select id from MyEvent, method:myItemProducerScript()
```

The example JavaScript script is:

```

create expression EventBean[] @type(ItemEvent) js:myItemProducerScript() [
myItemProducerScript()
function myItemProducerScript() {
                                var EventBeanArray =
Java.type("com.espertech.esper.common.client.EventBean[]");
var events = new EventBeanArray(1);
                                events[0] =
", "id1"), "ItemEvent");
return events;
}]

```

5.14.8. Providing the UDF

Your script must declare the return type of the UDF as `EventBean[]`. In the `@type` annotation you must provide an event type name.

For example assuming you have registered a user-defined function `myUserDefinedFunction`:

```
select id from MyEvent, method:myUserDefinedFunction() @type(ItemEvent)
```

5.15. Declaring an Event Type: *Create Schema*

EPL allows declaring an event type via the `create schema` clause and also by configuring predefined types. The term schema and event type has the same meaning in EPL.

When using the `create schema` syntax to declare an event type, the runtime automatically removes the event type on undeploy.

5.15.1. Declare an Event Type by Providing Names and Types

The synopsis of the `create schema` syntax providing property names and types is:

```
create [map | objectarray | json | avro | xml] schema schema_name [as]
    (property_name property_type [,property_name property_type [...]])
    [inherits inherited_event_type [, inherited_event_type] [...]]
    [starttimestamp timestamp_property_name]
    [endtimestamp timestamp_property_name]
    [copyfrom copy_type_name [, copy_type_name] [...]]
```

The `create` keyword can be followed by `map` to instruct the compiler to represent events of that type by the Map event representation, or `objectarray` to denote an Object-array event type, or `json` to denote a JSON event type, or `avro` to denote an Avro event type, or `xml` to denote an XML event type. If neither the `map` or `objectarray` or `json` or `avro` or `xml` keywords are provided, the compiler default event representation applies.

After `create schema` follows a `schema_name`. The schema name is the event type name.

The `property_name` is an identifier providing the event property name. The `property_type` is also required for each property. Valid property types are listed in [Section 5.17.1, “Creating Variables: The Create Variable Clause”](#) and in addition include:

1. Any Java class name, fully-qualified or the simple class name if imports are configured. Parameterized types such as `java.util.Collection<String>` are supported as well.
2. Add left and right square brackets `[]` to any type to denote an array-type event property, and `[][]` for two-dimensional arrays.
3. Use an event type name as a property type.
4. The `null` keyword for a null-typed property.

For XML event types please check [Section 1.5, “Using XML-Schema Annotations with create xml schema”](#) for information on how to declare properties.

The optional `inherits` keywords is followed by a comma-separated list of event type names that are the supertypes to the declared type.

The optional `starttimestamp` keyword is followed by a property name. Use this to tell the compiler that your event has a timestamp. The compiler checks that the property name exists on the declared type and returns a date-time value. Declare a timestamp property if you want your events

to implicitly carry a timestamp value for convenient use with interval algebra methods as a start timestamp.

The optional `endtimestamp` keyword is followed by a property name. Use this together with `starttimestamp` to tell the compiler that your event has a duration. The compiler checks that the property name exists on the declared type and returns a date-time value. Declare an `endtimestamp` property if you want your events to implicitly carry a duration value for convenient use with interval algebra methods.

The optional `copyfrom` keyword is followed by a comma-separated list of event type names. For each event type listed, the compiler looks up that type and adds all event property definitions to the newly-defined type, in addition to those listed explicitly (if any). The resulting order of properties is that copied-from properties are first (in the order of event types and their property order) and explicitly-listed properties last.

A few example event type declarations follow:

```
// Declare type SecurityEvent
create schema SecurityEvent as (ipAddress string, userId String, numAttempts int)

// Declare type AuthorizationEvent with the roles property being an array of
String
// and the hostinfo property being a POJO object
create schema AuthorizationEvent(group String, roles String[], hostinfo
com.mycompany.HostNameInfo)

// Declare type CompositeEvent in which the innerEvents property is an array
of SecurityEvent
create schema CompositeEvent(group String, innerEvents SecurityEvent[])

// Declare type WebPageVisitEvent that inherits all properties from PageHitEvent
create schema WebPageVisitEvent(userId String) inherits PageHitEvent

// Declare a type with start and end timestamp (i.e. event with duration).
create schema RoboticArmMovement (robotId string, startts long, endts long)
starttimestamp startts endtimestamp endts

// Create a type that has all properties of SecurityEvent plus a userName property
create schema ExtendedSecurityEvent (userName string) copyfrom SecurityEvent

// Create a type that has all properties of SecurityEvent
create schema SimilarSecurityEvent () copyfrom SecurityEvent

// Create a type that has all properties of SecurityEvent and WebPageVisitEvent
plus a userName property
create schema WebSecurityEvent (userName string) copyfrom SecurityEvent,
WebPageVisitEvent
```

To elaborate on the `inherits` keyword, consider the following two schema definitions:

```
create schema Foo as (prop1 string)
```

```
create schema Bar() inherits Foo
```

Following above schema, `Foo` is a supertype of `Bar` and therefore any `Bar` event also fulfills `Foo` and matches where `Foo` matches. A statement such as `select * from Foo` returns any `Foo` event as well as any event that is a subtype of `Foo` such as all `Bar` events. When your statements don't use any `Foo` events there is no cost, thus `inherits` is generally an effective way to share properties between types. The start and end timestamp are also inherited from any supertype that has the timestamp property names defined.

The optional `copyfrom` keyword is for defining a schema based on another schema. This keyword causes the compiler to copy property definitions: There is no `inherits`, `extends`, supertype or subtype relationship between the types listed.

To define an event type `Bar` that has the same properties as `Foo`:

```
create schema Foo as (prop1 string)
```

```
create schema Bar() copyfrom Foo
```

To define an event type `Bar` that has the same properties as `Foo` and that adds its own property `prop2`:

```
create schema Foo as (prop1 string)
```

```
create schema Bar(prop2 string) copyfrom Foo
```

If neither the `map` or `objectarray` or `json` or `avro` keywords are provided, the following rule applies:

- If the `create-schema` statement provides the `@EventRepresentation(objectarray)` annotation the runtime expects object array events.
- If the statement provides the `@EventRepresentation(json)` annotation the runtime expects JSON strings as events.

- If the statement provides the `@EventRepresentation(avro)` annotation the runtime expects Avro objects as events.
- If the statement provides the `@EventRepresentation(map)` annotation the runtime expects Map objects as events.
- If neither annotation is provided, the runtime uses the configured default event representation as discussed in [Section 17.4.9.1, “Default Event Representation”](#).

The following two statements both instructs the compiler to represent Foo events as object arrays. When sending Foo events into the runtime use the `sendEventObjectArray(Object[] data, String typeName)` footprint.

```
create objectarray schema Foo as (prop1 string)
```

```
@EventRepresentation(objectarray) create schema Foo as (prop1 string)
```

The next two statements both instructs the compiler to represent Foo events as Maps. When sending Foo events into the runtime use the `sendEventMap(Map data, String typeName)` footprint.

```
create map schema Foo as (prop1 string)
```

```
@EventRepresentation(map) create schema Foo as (prop1 string)
```

The following two statements both instructs the compiler to represent Foo events as JSON. When sending Foo events into the runtime use the `sendEventJson(String json, String typeName)` footprint.

```
create json schema Foo as (prop1 string)
```

```
@EventRepresentation(json) create schema Foo as (prop1 string)
```

The following two statements both instructs the compiler to represent Foo events as Avro `GenericData.Record`. When sending Foo events into the runtime use the `sendEventAvro(Object genericDataDotRecord, String typeName)` footprint.

```
create avro schema Foo as (prop1 string)
```

```
@EventRepresentation(avro) create schema Foo as (prop1 string)
```

5.15.2. Declare an Event Type by Providing a Class Name

When using Java classes as the underlying event representation your application may simply provide the class name:

```
create schema schema_name [as] class_name
  [starttimestamp timestamp_property_name]
  [endtimestamp timestamp_property_name]
```

The *class_name* must be a fully-qualified class name (including the package name) if imports are not configured. If your application configures imports then the simple class name suffices without package name. Parameterized types such as `java.util.MyEvent<String>` are supported as well.

The optional `starttimestamp` and `endtimestamp` keywords have a meaning as defined earlier.

The next example statements declare an event type based on a class:

```
// Shows the use of a fully-qualified class name to declare the LoginEvent
// event type
create schema LoginEvent as com.mycompany.LoginValue

// When the configuration includes imports, the declaration does not need a
// package name
create schema LogoutEvent as SignoffValue
```

5.15.3. Declare a Variant Stream

A variant stream is a predefined stream into which events of multiple disparate event types can be inserted. Please see [Section 5.10.3, “Merging Disparate Types of Events: Variant Streams”](#) for rules regarding property visibility and additional information.

The synopsis is:

```
create variant schema schema_name [as] eventtype_name/* [, eventtype_name/* ]
  [...]
```

Provide the `variant` keyword to declare a variant stream.

The '*' wildcard character declares a variant stream that accepts any type of event inserted into the variant stream.

Provide *eventtype_name* if the variant stream should hold events of the given type only. When using `insert into` to insert into the variant stream the compiler checks to ensure the inserted event type or its supertypes match the required event type.

A few examples are shown below:

```
// Create a variant stream that accepts only LoginEvent and LogoutEvent event
types
create variant schema SecurityVariant as LoginEvent, LogoutEvent

// Create a variant stream that accepts any event type
create variant schema AnyEvent as *
```

5.16. Splitting and Duplicating Streams

EPL offers a convenient syntax to splitting, routing or duplicating events into multiple streams, and for receiving unmatched events among a set of filter criteria.

For splitting a single event that acts as a container and expose child events as a property of itself consider the contained-event syntax as described in [Section 5.19, “Contained-Event Selection”](#). For generating marker events for contained-events please see below.

You may define a triggering event or pattern in the `on`-part of the statement followed by multiple `insert into`, `select` and `where` clauses.

The synopsis is:

```
[context context_name]
on event_type[(filter_criteria)] [as stream_name]
insert into insert_into_def select select_list [where condition]
[insert into insert_into_def select select_list [from contained-event-
selection] [where condition]]
[insert into insert_into_def select select_list [from contained-event-
selection] [where condition]]
[insert into...]
[output first | all]
```

The *event_type* is the name of the type of events that trigger the split stream. It is optionally followed by *filter_criteria* which are filter expressions to apply to arriving events. The optional `as` keyword can be used to assign a stream name. Patterns and named windows can also be specified in the `on` clause.

Following the `on`-clause is one or more *insert into* clauses as described in [Section 5.10, “Merging Streams and Continuous Insertion: The Insert Into Clause”](#) and *select* clauses as described in [Section 5.3, “Choosing Event Properties and Events: The Select Clause”](#).

The second and subsequent `insert into` and `select` clause pair can have a `from` clause for *contained-event-selection*. This is useful when your trigger events themselves contain events that must be processed individually and that may be delimited by marker events that you can define.

Each `select` clause may be followed by a `where` clause containing a condition. If the condition is true for the event, the runtime transforms the event according to the `select` clause and inserts it into the corresponding stream.

At the end of the statement can be an optional `output` clause. By default the runtime inserts into the first stream for which the `where` clause condition matches if one was specified, starting from the top. If you specify the `output all` keywords, then the runtime inserts into each stream (not only the first stream) for which the `where` clause condition matches or that do not have a `where` clause.

If, for a given event, none of the `where` clause conditions match, the statement listener receives the unmatched event. The statement listener only receives unmatched events and does not receive any transformed or inserted events. The `iterator` method to the statement returns no events.

You may specify an optional context name to the effect that the split-stream operates according to the context dimensional information as declared for the context. See [Chapter 4, Context and Context Partitions](#) for more information.

In the below sample statement, the runtime inserts each `OrderEvent` into the `LargeOrders` stream if the order quantity is 100 or larger, or into the `SmallOrders` stream if the order quantity is smaller than 100:

```
on OrderEvent
  insert into LargeOrders select * where orderQty >= 100
  insert into SmallOrders select *
```

The next example statement adds a new stream for medium-sized orders. The new stream receives orders that have an order quantity between 20 and 100:

```
on OrderEvent
  insert into LargeOrders select orderId, customer where orderQty >= 100
  insert into MediumOrders select orderId, customer where orderQty between 20
and 100
  insert into SmallOrders select orderId, customer where orderQty > 0
```

As you may have noticed in the above statement, orders that have an order quantity of zero don't match any of the conditions. The runtime does not insert such order events into any stream and the listener to the statement receives these unmatched events.

By default the runtime inserts into the first `insert into` stream without a `where` clause or for which the `where` clause condition matches. To change the default behavior and insert into all matching streams instead (including those without a `where` clause), add the `output all` keywords.

The sample statement below shows the use of the `output all` keywords. The statement populates both the `LargeOrders` stream with large orders as well as the `VIPCustomerOrders` stream with orders for certain customers based on customer id:

```
on OrderEvent
  insert into LargeOrders select * where orderQty >= 100
  insert into VIPCustomerOrders select * where customerId in (1001, 1002)
output all
```

Since the `output all` keywords are present, the above statement inserts each order event into either both streams or only one stream or none of the streams, depending on order quantity and customer id of the order event. The statement delivers order events not inserted into any of the streams to the listeners and/or subscriber to the statement.

The following limitations apply to split-stream statements:

1. Aggregation functions and the `prev` and `prior` operators are not available in conditions and the `select`-clause.

5.16.1. Generating Marker Events for Contained Events

When a trigger event contains properties that are themselves events, or more generally when your application needs to split the trigger event into multiple events, or to generate marker events (begin, end etc.) or process contained events in a defined order, you may specify a `from` clause.

The `from` clause is only allowed for the second and subsequent `insert into` and `select` clause pair. It specifies how the trigger event should get unpacked into individual events and is based on the [Section 5.19, "Contained-Event Selection"](#).

For example, assume there is an order event that contains order items:

```
create schema OrderItem(itemId string)
```

```
create schema OrderEvent(orderId string, items OrderItem[])
```

We can tell the runtime that, for each order event, it should process in the following order:

1. Process a single `OrderBeginEvent` that holds just the order id.

2. Process all order items contained in an order event.
3. Process a single `OrderEndEvent` that holds just the order id.

The EPL is:

```
on OrderEvent
  insert into OrderBeginEvent select orderId
  insert into OrderItemEvent select * from [select orderId, * from items]
  insert into OrderEndEvent select orderId
output all
```

When an `OrderEvent` comes in, the runtime first processes an `OrderBeginEvent`. The runtime unpacks the order event and for each order item processes an `OrderItemEvent` containing the respective item. The runtime last processes an `OrderEndEvent`.

Such begin and end marker events are useful to initiate and terminate an analysis using context declaration, for example. The next two statements declare a context and perform a simple count of order items per order:

```
create context OrderContext
  initiated by OrderBeginEvent as obe
  terminated by OrderEndEvent(orderId = obe.orderId)
```

```
context OrderContext select count(*) as orderItemCount from OrderItemEvent output
when terminated
```

5.17. Variables and Constants

A *variable* is a scalar, object, event or set of aggregation values that is available for use in all statements including patterns. Variables can be used in an expression anywhere in a statement as well as in the `output` clause for output rate limiting.

Variables must first be declared or configured before use, by defining each variable's type and name. Variables can be created via the `create variable` syntax or declared by runtime or static configuration. Variables can be assigned new values by using the `on set` syntax or via the `setVariableValue` methods on `EPVariableService`. The `EPVariableService` also provides method to read variable values.

A variable can be declared constant. A constant variable always has the initial value and cannot be assigned a new value. A constant variable can be used like any other variable and can be used wherever a constant is required. By declaring a variable constant you enable the runtime to optimize and perform query planning knowing that the variable value cannot change.

When declaring a class-typed, event-typed or aggregation-typed variable you may read or set individual properties within the same variable.

The runtime guarantees consistency and atomicity of variable reads and writes on the level of context partition (this is a soft guarantee, see below). Variables are optimized for fast read access and are also multithread-safe.

When you associate a context to the variable then each context partition maintains its own variable value. See [Section 4.9, “Context and Variables”](#) for more information.

Your application can only undeploy the statement that created the variable after all statements using the variables are also undeployed.

5.17.1. Creating Variables: The `create variable` Clause

The `create variable` syntax creates a new variable by defining the variable type and name. In alternative to the syntax, variables can also be declared in the configuration object.

The synopsis for creating a variable is as follows:

```
create [constant] variable variable_type [[]] variable_name
[ = assignment_expression ]
```

Specify the optional `constant` keyword when the variable is a constant whose associated value cannot be altered. Your EPL design should prefer constant variables over non-constant variables.

The `variable_type` can be any of the following:

```
variable_type
: string
| char
| character
| bool
| boolean
| byte
| short
| int
| integer
| long
| double
| float
| object
| enum_class
| class_name
| event_type_name
```

Variable types can accept null values. The `object` type is for an untyped variable that can be assigned any value. You can provide a class name (use imports) or a fully-qualified class name to declare a variable of that Java class type including an enumeration class. You can also supply

the name of an event type to declare a variable that holds an event of that type. Parameterized types such as `java.util.Collection<String>` are supported as well.

Append `[]` to the variable type to declare an array variable. A limitation is that if your variable type is an event type then array is not allowed (applies to variables only and not to named windows or tables). For arrays of primitives, specify `[primitive]`, for example `int[primitive]`.

The *variable_name* is an identifier that names the variable. The variable name should not already be in use by another variable.

The *assignment_expression* is optional. Without an assignment expression the initial value for the variable is `null`. If present, it supplies the initial value for the variable.



Note

When specifying a *class_name* or *enum_class* class name the class must have `public` visibility.

The `EPStatement` object of the `create variable` statement provides access to variable values. The pull API methods `iterator` and `safeIterator` return the current variable value. Listeners to the `create variable` statement subscribe to changes in variable value: the runtime posts new and old value of the variable to all listeners when the variable value is updated by an `on set` statement.

The example below creates a variable that provides a threshold value. The name of the variable is `var_threshold` and its type is `long`. The variable's initial value is `null` as no other value has been assigned:

```
create variable long var_threshold
```

This statement creates an integer-type variable named `var_output_rate` and initializes it to the value ten (10):

```
create variable integer var_output_rate = 10
```

The next statement declares a constant string-type variable:

```
create constant variable string const_filter_symbol = 'GE'
```

In addition to creating a variable via the `create variable` syntax, the configuration also allows adding variables. The next code snippet illustrates the use of the configuration API to declare a string-typed variable:

```
Configuration configuration = new Configuration();
configuration.getCommon().addVariable("myVar", String.class, "init value");
```

The following example declares a constant that is an array of string:

```
create constant variable string[] const_filters = {'GE', 'MSFT'}
```

The next example declares a constant that is an array of enumeration values. It assumes the `Color` enumeration class was imported:

```
create constant variable Color[] const_colors = {Color.RED, Color.BLUE}
```

For an array of primitive-type bytes, specify the `primitive` keyword in square brackets, as the next example shows:

```
create variable byte[primitive] mybytes = SomeClass.getBytes()
```

Use the `new` keyword to initialize object instances (the example assumes the package or class was imported):

```
create constant variable AtomicInteger cnt = new AtomicInteger(1)
```

The runtime removes the variable if the deployment that created the variable is undeployed.

5.17.2. Setting Variable Values: The `on set` Clause

The `on set` statement assigns a new value to one or more variables when a triggering event arrives or a triggering pattern occurs. Use the `setVariableValue` methods on `EPVariableService` to assign variable values programmatically.

The synopsis for setting variable values is:

```
on event_type[(filter_criteria)] [as stream_name]
  set mutation_expression [, mutation_expression [...]]
```

The `event_type` is the name of the type of events that trigger the variable assignments. It is optionally followed by `filter_criteria` which are filter expressions to apply to arriving events. The optional `as` keyword can be used to assign an stream name. Patterns and named windows can also be specified in the `on` clause.

After the `set` keyword follow one or more mutation expressions with variable names on the left hand side. The mutation expressions set the value of one or more variables. Subqueries may be part of expressions however aggregation functions and the `prev` or `prior` function may not be used in expressions.

The below table lists the available mutation expressions:

Table 5.8. Mutation Expressions in Update-Set for Use With Variables

Description	Syntax and Examples
Assignment	<pre data-bbox="890 636 1359 725">variable_name = value_expression</pre> <pre data-bbox="890 792 1359 837">price = 10, side = 'BUY'</pre>
Array Element Assignment	<pre data-bbox="890 891 1359 981">arrayvariable_name[array_index_expression] = value_expression</pre> <pre data-bbox="890 1048 1359 1093">values[position] = 10</pre>
Event Property Assignment	<pre data-bbox="890 1146 1359 1236">eventvariable_name.subproperty_name = value_expression</pre> <pre data-bbox="890 1303 1359 1348">myevent.price = 10</pre>
Any Expression, For Example: User-Defined Function Call	<pre data-bbox="890 1402 1359 1447">functionname(..., variable_name, ...)</pre> <pre data-bbox="890 1527 1359 1572">clearQuantities(variable)</pre> <p data-bbox="890 1630 1359 1706">Requires the use of a single variable as part of each mutation expression.</p>

All new variable values are applied atomically: the changes to variable values by the `on set` statement become visible to other statements all at the same time. No changes are visible to other processing threads until the `on set` statement completed processing, and at that time all changes become visible at once.

The `EPStatement` object provides access to variable values. The pull API methods `iterator` and `safeIterator` return the current variable values for each of the variables set by the statement.

Listeners to the statement subscribe to changes in variable values: the runtime posts new variable values of all variables to any listeners.

In the following example, a variable by name `var_output_rate` has been declared previously. When a `NewOutputRateEvent` event arrives, the variable is updated to a new value supplied by the event property 'rate':

```
on NewOutputRateEvent set var_output_rate = rate
```

The next example shows two variables that are updated when a `ThresholdUpdateEvent` arrives:

```
on ThresholdUpdateEvent as t
  set var_threshold_lower = t.lower,
     var_threshold_higher = t.higher
```

The sample statement shown next counts the number of pattern matches using a variable. The pattern looks for `OrderEvent` events that are followed by `CancelEvent` events for the same order id within 10 seconds of the `OrderEvent`:

```
on pattern[every a=OrderEvent -> (CancelEvent(orderId=a.orderId) where
  timer:within(10 sec))]
  set var_counter = var_counter + 1
```

5.17.3. Using Variables

A variable name can be used in any expression and can also occur in an output rate limiting clause. This section presents examples and discusses performance, consistency and atomicity attributes of variables.

The next statement assumes that a variable named 'var_threshold' was created to hold a total price threshold value. The statement outputs an event when the total price for a symbol is greater than the current threshold value:

```
select symbol, sum(price) from TickEvent
group by symbol
having sum(price) > var_threshold
```

This example uses a variable to dynamically change the output rate on-the-fly. The variable 'var_output_rate' holds the current rate at which the statement posts a current count to listeners:

```
select count(*) from TickEvent output every var_output_rate seconds
```

Variables are optimized towards high read frequency and lower write frequency. Variable reads do not incur locking overhead (99% of the time) while variable writes do incur locking overhead.

The runtime softly guarantees consistency and atomicity of variables when your statement executes in response to an event or timer invocation. Variables acquire a stable value (implemented by versioning) when your statement starts executing in response to an event or timer invocation, and variables do not change value during execution. When one or more variable values are updated via `on set` statements, the changes to all updated variables become visible to statements as one unit and only when the `on set` statement completes successfully.

The atomicity and consistency guarantee is a soft guarantee. If any of your application statements, in response to an event or timer invocation, execute for a time interval longer than 15 seconds (default interval length), then the runtime may use current variable values after 15 seconds passed, rather than then-current variable values at the time the statement started executing in response to an event or timer invocation.

The length of the time interval that variable values are held stable for the duration of execution of a given statement is by default 15 seconds, but can be configured via runtime settings.

5.17.4. Object-Type Variables

A variable of type `object` (or `java.lang.Object` via the API) can be assigned any value including null. When using an object-type variable in an expression, your statement may need to cast the value to the desired type.

The following sample EPL creates a variable by name `varobj` of type `object`:

```
create variable object varobj
```

5.17.5. Class and Event-Type Variables

The `create variable` syntax and the API accept a fully-qualified class name or alternatively the name of an event type. This is useful when you want a single variable to have multiple property values to read or set.

The next statement assumes that the event type `PageHitEvent` is declared:

```
create variable PageHitEvent varPageHitZero
```

These example statements show two ways of assigning to the variable:

```
// You may assign the complete event
on PageHitEvent(ip='0.0.0.0') pagehit set varPageHitZero = pagehit
```

```
// Or assign individual properties of the event
on PageHitEvent(ip='0.0.0.0') pagehit set varPageHitZero.userId = pagehit.userId
```

Similarly statements may use properties of class or event-type variables as this example shows:

```
select * from FirewallEvent(userId=varPageHitZero.userId)
```

Instance method can also be invoked:

```
create variable com.example.StateCheckerService stateChecker
```

```
select * from TestEvent as e where stateChecker.checkState(e)
```

A variable that represents a service for calling instance methods could be initialized by calling a factory method. This example assumes the classes were added to imports:

```
create constant variable StateCheckerService stateChecker =
  StateCheckerServiceFactory.makeService()
```

You can add a variable via the configuration API; an example code snippet is next:

```
Configuration configuration = new Configuration();
configuration.getCommon().addVariable("stateChecker",
  StateCheckerService.class, StateCheckerServiceFactory.makeService(), true);
```

Application objects can also be passed via transient configuration information as described in [Section 17.7, "Passing Services or Transient Objects"](#).



Note

When using non-constant class or event-type variables and when your EPL intends to set property values on the variable itself (i.e. `set varPageHitZero.userId`), please note the following requirements. In order for the runtime to assign property

values, the underlying event type must allow writing property values. If using JavaBean event classes the class must have setter methods and a default constructor. The underlying event type must also be copy-able i.e. implement `Serializable` or configure a copy method (only for non-constant variables and when setting property values).

5.18. Declaring Global Expressions, Aliases and Scripts: *Create Expression*

Your application can declare an expression or script using the `create expression` clause. Such expressions or scripts become available globally to any statement.

The synopsis of the `create expression` syntax is:

```
create expression expression_or_script
```

Use the `create expression` keywords and append the expression or scripts.

Expression aliases are the simplest means of sharing expressions and do not accept parameters. Expression declarations limit the expression scope to the parameters that are passed.

The runtime may cache declared expression result values and reuse cache values, see [Section 17.6.10.5, “Declared Expression Value Cache Size”](#).

5.18.1. Global Expression Aliases

The syntax and additional examples for declaring an expression is outlined in [Section 5.2.8, “Expression Alias”](#), which discusses expression aliases that are visible within the same statement i.e. visible locally only.

When using the `create expression` syntax to declare an expression the runtime remembers the expression alias and expression and allows the alias to be referenced in all other statements.

The below EPL declares a globally visible expression alias for an expression that computes the total of the mid-price which is the buy and sell price divided by two:

```
create expression totalMidPrice alias for { sum((buy + sell) / 2) }
```

The next EPL returns mid-price for events for which the mid-price per symbol stays below 10:

```
select symbol, midPrice from MarketDataEvent group by symbol having midPrice < 10
```

The expression name must be unique among all other expression aliases and expression declarations.

Your application can provide an expression alias of the same name local to a given statement as well as globally using `create expression`. The locally-provided expression alias overrides the global expression alias.

The compiler validates global expression aliases at the time your application creates a statement that references the alias. When a statement references a global alias, the compiler uses the that statement's local expression scope to validate the expression. Expression aliases can therefore be dynamically typed and type information does not need to be the same for all statements that reference the expression alias.

5.18.2. Global Expression Declarations

The syntax and additional examples for declaring an expression is outlined in [Section 5.2.9, "Expression Declaration"](#), which discusses declaring expressions that are visible within the same statement i.e. visible locally only.

When using the `create expression` syntax to declare an expression the compiler remembers the expression and allows the expression to be referenced in all other statements.

The below EPL declares a globally visible expression that computes a mid-price and that requires a single parameter:

```
create expression midPrice { in => (buy + sell) / 2 }
```

The next EPL returns mid-price for each event:

```
select midPrice(md) from MarketDataEvent as md
```

The expression name must be unique for global expressions. It is not possible to declare the same global expression twice with the same name.

Your application can declare an expression of the same name local to a given statement as well as globally using `create expression`. The locally-declared expression overrides the globally declared expression.

The compiler validates globally declared expressions at the time your application creates a statement that references the global expression. When a statement references a global expression, the compiler uses that statement's type information to validate the global expressions. Global expressions can therefore be dynamically typed and type information does not need to be the same for all statements that reference the global expression.

This example shows a sequence of EPL, that can be created in the order shown, and that demonstrates expression validation at time of referral:

```
create expression minPrice {(select min(price) from OrderWindow)}
```

```
create window OrderWindow#time(30) as OrderEvent
```

```
insert into OrderWindow select * from OrderEvent
```

```
// Validates and incorporates the declared global expression  
select minPrice() as minprice from MarketData
```

5.18.3. Global Scripts

The syntax and additional examples for declaring scripts is outlined in [Chapter 19, Script Support](#), which discusses declaring scripts that are visible within the same statement i.e. visible locally only.

When using the `create expression` syntax to declare a script the compiler remembers the script and allows the script to be referenced in all other statements.

The below EPL declares a globally visible script in the JavaScript dialect that computes a mid-price:

```
create expression midPrice(buy, sell) [ (buy + sell) / 2 ]
```

The next EPL returns mid-price for each event:

```
select midPrice(buy, sell) from MarketDataEvent
```

The compiler validates globally declared scripts at the time your application creates a statement that references the global script. When a statement references a global script, the compiler uses that statement's type information to determine parameter types. Global scripts can therefore be dynamically typed and type information does not need to be the same for all statements that reference the global script.

The script name in combination with the number of parameters must be unique for global scripts. It is not possible to declare the same global script twice with the same name and number of parameters.

Your application can declare a script of the same name and number of parameters that is local to a given statement as well as globally using `create expression`. The locally-declared script overrides the globally declared script.

5.19. Contained-Event Selection

Contained-event selection is for use when an event contains properties that are themselves events, or more generally when your application needs to split an event into multiple events. One example is when application events are coarse-grained structures and you need to perform bulk operations on the rows of the property graph in an event.

Use the contained-event selection syntax in a filter expression such as in a pattern, `from` clause, `subselect`, `on-select` and `on-delete`. This section provides the synopsis and examples.

To review, in the `from` clause a *contained_selection* may appear after the event stream name and filter criteria, and before any data windows.

The synopsis for *contained_selection* is as follows:

```
[select select_expressions from]
  contained_expression [@type(eventtype_name)] [as alias_name]
  [where filter_expression]
```

The `select` clause and *select_expressions* are optional and may be used to select specific properties of contained events.

The *contained_expression* is required and returns individual events. The expression can, for example, be an event property name that returns an event fragment, i.e. a property that can itself be represented as an event by the underlying event representation. The expression can also be any other expression such as a single-row function or a script that returns either an array or a `java.util.Collection` of events. Simple values such as integer or string are not fragments but can be used as well as described below.

Provide the `@type(name)` annotation after the contained expression to name the event type of events returned by the expression. The annotation is optional and not needed when the contained-expression is an event property that returns a class or other event fragment.

The *alias_name* can be provided to assign a name to the expression result value rows.

The `where` clause and *filter_expression* is optional and may be used to filter out properties.

As an example event, consider a media order. A media order consists of order items as well as product descriptions. A media order event can be represented as an object graph (POJO event representation), or a structure of nested Maps (Map event representation) or a XML document (XML DOM or Axiom event representation) or other custom plug-in event representation.

To illustrate, a sample media order event in XML event representation is shown below. Also, a XML event type can optionally be strongly-typed with an explicit XML XSD schema that is not shown

here. Note that Map and POJO representation can be considered equivalent for the purpose of this example.

Let us now assume the event type `MediaOrder` as being represented by the root node `<mediaorder>` of such XML snip:

```
<mediaorder>
  <orderId>P0200901</orderId>
  <items>
    <item>
      <itemId>100001</itemId>
      <productId>B001</productId>
      <amount>10</amount>
      <price>11.95</price>
    </item>
  </items>
  <books>
    <book>
      <bookId>B001</bookId>
      <author>Heinlein</author>
      <review>
        <reviewId>1</reviewId>
        <comment>best book ever</comment>
      </review>
    </book>
    <book>
      <bookId>B002</bookId>
      <author>Isaac Asimov</author>
    </book>
  </books>
</mediaorder>
```

The next statement utilizes the contained-event selection syntax to return each book:

```
select * from MediaOrder[books.book]
```

The result of the above statement is one event per book. Output events contain only the book properties and not any of the `mediaorder`-level properties.

Note that, when using listeners, the runtime delivers multiple results in one invocation of each listener. Therefore listeners to the above statement can expect a single invocation passing all book events within one media order event as an array.

To better illustrate the position of the contained-event selection syntax in a statement, consider the next two statements:


```
select * from MediaOrder(orderId='PO200901')[books.book]
```

The above statement returns each book only for media orders with a given order id. This statement illustrates a contained-event selection and a data window:

```
select count(*) from MediaOrder[books.book]#unique(bookId)
```

The sample above counts each book unique by book id.

Contained-event selection can be staggered. When staggering multiple contained-event selections the staggered contained-event selection is relative to its parent.

This example demonstrates staggering contained-event selections by selecting each review of each book:

```
select * from MediaOrder[books.book][review]
```

Listeners to the statement above receive a row for each review of each book. Output events contain only the review properties and not the book or media order properties.

The following is not valid:

```
// not valid
select * from MediaOrder[books.book.review]
```

The `book` property in an indexed property (an array or collection) and thereby requires an index in order to determine which book to use. The expression `books.book[1].review` is valid and means all reviews of the second (index 1) book.

The contained-event selection syntax is part of the filter expression and may therefore occur in patterns and anywhere a filter expression is valid.

A pattern example is below. The example assumes that a `Cancel` event type has been defined that also has an `orderId` property:

```
select * from pattern [c=Cancel -> books=MediaOrder(orderId = c.orderId)
[books.book] ]
```

When used in a pattern, a filter with a contained-event selection returns an array of events, similar to the match-until clause in patterns. The above statement returns, in the `books` property, an array of book events.

5.19.1. Select-Clause in a Contained-Event Selection

The optional `select` clause provides control over which fields are available in output events. The expressions in the `select`-clause apply only to the properties available underneath the property in the `from` clause, and the properties of the enclosing event.

When no `select` is specified, only the properties underneath the selected property are available in output events.

In summary, the `select` clause may contain:

1. Any expressions, wherein properties are resolved relative to the property in the `from` clause.
2. Use the wildcard (*) to provide all properties that exist under the property in the `from` clause.
3. Use the `alias_name.*` syntax to provide all properties that exist under a property in the `from` clause.

The next statement's `select` clause selects each review for each book, and the order id as well as the book id of each book:

```
select * from MediaOrder[select orderId, bookId from books.book][select * from
  review]
// ... equivalent to ...
select * from MediaOrder[select orderId, bookId from books.book][review]]
```

Listeners to the statement above receive an event for each review of each book. Each output event has all properties of the review row, and in addition the `bookId` of each book and the `orderId` of the order. Thus `bookId` and `orderId` are found in each result event, duplicated when there are multiple reviews per book and order.

The above statement uses wildcard (*) to select all properties from reviews. As has been discussed as part of the `select` clause, the wildcard (*) and `property_alias.*` do not copy properties for performance reasons. The wildcard syntax instead specifies the underlying type, and additional properties are added onto that underlying type if required. Only one wildcard (*) and `property_alias.*` (unless used with a column rename) may therefore occur in the `select` clause list of expressions.

All the following statements produce an output event for each review of each book. The next sample statements illustrate the options available to control the fields of output events.

The output events produced by the next statement have all properties of each review and no other properties available:

```
select * from MediaOrder[books.book][review]
```

The following statement is not a valid statement, since the order id and book id are not part of the contained-event selection:

```
// Invalid select-clause: orderId and bookId not produced.
select orderId, bookId from MediaOrder[books.book][review]
```

This statement is valid. Note that output events carry only the `orderId` and `bookId` properties and no other data:

```
select orderId, bookId from MediaOrder[books.book][select orderId, bookId from
  review]
//... equivalent to ...
select * from MediaOrder[select orderId, bookId from books.book][review]
```

This variation produces output events that have all properties of each book and only `reviewId` and `comment` for each review:

```
select * from MediaOrder[select * from books.book][select reviewId, comment from
  review]
// ... equivalent to ...
select * from MediaOrder[books.book as book][select book.*, reviewId, comment
  from review]
```

The output events of the next EPL have all properties of the order and only `bookId` and `reviewId` for each review:

```
select * from MediaOrder[books.book as book]
  [select mediaOrder.*, bookId, reviewId from review] as mediaOrder
```

This EPL produces output events with 3 columns: a column named `mediaOrder` that is the order itself, a column named `book` for each book and a column named `review` that holds each review:

```
insert into ReviewStream select * from MediaOrder[books.book as book]
  [select mo.* as mediaOrder, book.* as book, review.* as review from review
  as review] as mo
```

```
// .. and a sample consumer of ReviewStream...
select mediaOrder.orderId, book.bookId, review.reviewId from ReviewStream
```

Please note these limitations:

1. Sub-selects, aggregation functions and the `prev` and `prior` operators are not available in contained-event selection.
2. Expressions in the `select` and `where` clause of a contained-event selection can only reference properties relative to the current event and property.

5.19.2. Where Clause in a Contained-Event Selection

The optional `where` clause may be used to filter out properties at the same level that the `where`-clause occurs.

The properties in the filter expression must be relative to the property in the `from` clause or the enclosing event.

This statement outputs all books with a given author:

```
select * from MediaOrder[books.book where author = 'Heinlein']
```

This statement outputs each review of each book where a review comment contains the word 'good':

```
select * from MediaOrder[books.book][review where comment like 'good']
```

5.19.3. Contained-Event Selection and Joins

This section discusses contained-event selection in joins.

When joining within the same event it is not required to specify a data window. Recall, in a join or outer join there must be a data window specified that defines the subset of events available to be joined. For self-joins, no data window is required and the join executes against the data returned by the same event.

This statement inner-joins items to books where book id matches the product id:

```
select book.bookId, item.itemId
from MediaOrder[books.book] as book,
      MediaOrder[items.item] as item
where productId = bookId
```

Statement results for the above statement when sending the media order event as shown earlier are:

book.bookId	item.itemId
B001	100001

The next example statement is a left outer join. It returns all books and their items, and for books without item it returns the book and a `null` value:

```
select book.bookId, item.itemId
from MediaOrder[books.book] as book
  left outer join
    MediaOrder[items.item] as item
  on productId = bookId
```

Statement results for the above statement when sending the media order event as shown earlier are:

book.bookId	item.itemId
B001	100001
B002	null

A full outer join combines the results of both left and right outer joins. The joined table will contain all records from both tables, and fill in `null` values for missing matches on either side.

This example statement is a full outer join, returning all books as well as all items, and filling in `null` values for book id or item id if no match is found:

```
select orderId, book.bookId, item.itemId
from MediaOrder[books.book] as book
  full outer join
    MediaOrder[select orderId, * from items.item] as item
  on productId = bookId
order by bookId, item.itemId asc
```

As in all other statements, aggregation results are cumulative from the time the statement was created.

The following statement counts the cumulative number of items in which the product id matches a book id:

```
select count(*)
from MediaOrder[books.book] as book,
  MediaOrder[items.item] as item
where productId = bookId
```

The `unidirectional` keyword in a join indicates to the runtime that aggregation state is not cumulative. The next statement counts the number of items in which the product id matches a book id for each event:

```
select count(*)
from MediaOrder[books.book] as book unidirectional,
     MediaOrder[items.item] as item
where productId = bookId
```

5.19.4. Sentence and Word Example

The next example splits an event representing a sentence into multiple events in which each event represents a word. It represents all events and the logic to split events into contained events as Java code. The next chapter has additional examples that use Map-type events and put contained-event logic into a separate expression or script.

The sentence event in this example is represented by a class declared as follows:

```
public class SentenceEvent {
    private final String sentence;

    public SentenceEvent(String sentence) {
        this.sentence = sentence;
    }

    public WordEvent[] getWords() {
        String[] split = sentence.split(" ");
        WordEvent[] words = new WordEvent[split.length];
        for (int i = 0; i < split.length; i++) {
            words[i] = new WordEvent(split[i]);
        }
        return words;
    }
}
```

The sentence event as above provides an event property `words` that returns each word event.

The declaration of word event is also a class:

```
public class WordEvent {
    private final String word;

    public WordEvent(String word) {
        this.word = word;
    }
}
```

```
public String getWord() {
    return word;
}
}
```

The statement to populate a stream of words from a sentence event is:

```
insert into WordStream select * from SentenceEvent[words]
```

Finally, the API call to send a sentence event to the runtime is shown here:

```
runtime.getEventService().sendEventBean(new SentenceEvent("Hello Word Contained
Events"), "SentenceEvent");
```

5.19.5. More Examples

The examples herein are not based on the POJO events of the prior example. They are meant to demonstrate different types of contained-event expressions and the use of `@type(type_name)` to identify the event type of the return values of the contained-event expression.

The example first defines a few sample event types:

```
create schema SentenceEvent(sentence String)
```

```
create schema WordEvent(word String)
```

```
create schema CharacterEvent(char String)
```

The following EPL assumes that your application defined a plug-in single-row function by name `splitSentence` that returns an array of `Map`, producing output events that are `WordEvent` events:

```
insert      into      WordStream      select      *      from
SentenceEvent[splitSentence(sentence)@type(WordEvent)]
```

The example EPL shown next invokes a JavaScript function which returns some events of type `WordEvent`:

```
expression Collection js:splitSentenceJS(sentence) [  
  var CollectionsClazz = Java.type('java.util.Collections');  
  var words = new java.util.ArrayList();  
  words.add(CollectionsClazz.singletonMap('word', 'wordOne'));  
  words.add(CollectionsClazz.singletonMap('word', 'wordTwo'));  
  words;  
]  
select * from SentenceEvent[splitSentenceJS(sentence)@type(WordEvent)]
```

In the next example the sentence event first gets split into words and then each word event gets split into character events via an additional `splitWord` single-row function, producing events of type `CharacterEvent`:

```
select * from SentenceEvent  
  [splitSentence(sentence)@type(WordEvent)]  
  [splitWord(word)@type(CharacterEvent)]
```

5.19.6. Contained Expression Returning an Array of Property Values

Your *contained_expression* may return an array of property values such as an array of integer or string values. In this case you must specify a `@type(name)` annotation and provide an event type name that declares a single column with a type that matches the array component type.

```
create schema IdContainer(id int)
```

```
create schema MyEvent(ids int[])
```

```
select * from MyEvent[ids@type(IdContainer)]
```

This example declares a named window and uses `on-delete`:

```
create window MyWindow#keepall (id int)
```

```
on MyEvent[ids@type(IdContainer)] as my_ids  
delete from MyWindow my_window
```



```
where my_ids.id = my_window.id
```

5.19.7. Contained Expression Returning an Array of EventBean

Your *contained_expression* may return an array of `EventBean` instances. This is handy when the expression itself must decide the type of each event to return.

For example:

```
create schema BaseEvent();
```

```
create schema AEvent(pa string) inherits BaseEvent;
```

```
create schema BEvent(pb string) inherits BaseEvent;
```

```
create schema ValueEvent(value string);
```

```
select * from ValueEvent[mySplitFunction(value) @type(BaseEvent)]
```

Then declare `mySplitFunction` returning an array of events, such as:

```
public static EventBean[] mySplitFunction(String value,
EPLMethodInvocationContext context) {
    EventBean[] events = new EventBean[1];
    if (value.startsWith("A")) {
        events[0] =
value), "AEvent");
    }
    else {
        events[0] =
value), "BEvent");
    }
    return events;
}
```

5.19.8. Contained Expression Returning a Collection of Underlying Event Objects

Your *contained_expression* may return a collection of underlying event instances.

In this example the `selectFrom` enumeration method formats subquery results and returns a collection of `Map` instances. Since `Map` is the underlying event object for `Map`-type event types, each `Map` with the room id can be processed as an event by the contained event syntax.

```
// Declare Person and Room event types, represented as java.util.Map events
// (the default)
@public @buseventtype create schema Person(personId string);
@public @buseventtype create schema Room(roomId string);

// Have a window that holds all rooms
create window RoomWindow#keepall as Room;
insert into RoomWindow select * from Room;

// Output all rooms ids as a collection of maps into the "rooms" column
insert into PersonAndRooms select personId, (select roomId from
RoomWindow).selectFrom(v => new {roomId = v}) as rooms from Person;

// Select each combination of person and room
@Name('s0') select personId, roomId from PersonAndRooms[select personId, roomId
from rooms@type(Room)];
```

5.19.9. Generating Marker Events Such as a Begin and End Event

The syntax for splitting and duplicating streams can be used to generate marker events. Please see [Section 5.16.1, “Generating Marker Events for Contained Events”](#) for more information.

5.19.10. Contained-Event Limitations

The following restrictions apply to contained-event selection:

- When selecting contained events from a named window in a join, the stream must be marked as `unidirectional`.
- Selecting contained events from a named window in a correlated subquery is not allowed.

5.20. Updating an Insert Stream: The `Update IStream` Clause

The `update istream` statement allows declarative modification of event properties of events entering a stream. `Update` is a pre-processing step to each new event, modifying an event before the event applies to any statements.

The synopsis of `update istream` is as follows:

```
update istream event_type [as stream_name]
  set mutation_expression [, mutation_expression] [... ]
  [where where_expression]
```

The `event_type` is the name of the type of events that the `update` applies to. The optional `as` keyword can be used to assign a name to the event type for use with subqueries, for example.

After the `set` keyword follow one or more mutation expressions. The below table lists the available mutation expressions:

Table 5.9. Mutation Expressions in `Update IStream`

Description	Syntax and Examples
Assignment	<pre>property_name = value_expression</pre> <pre>price = 10, side = 'BUY'</pre>
Array Element Assignment	<pre>arrayproperty_name[array_index_expression] = value_expression</pre> <pre>values[position] = 10</pre>
Any Expression, For Example: User-Defined Function Call	<pre>functionname(alias)</pre> <pre>clearQuantities(myevent)</pre>

The optional `where` clause and expression can be used to filter out events to which to apply updates.

Listeners to an `update` statement receive the updated event in the insert stream (new data) and the event prior to the update in the remove stream (old data). Note that if there are multiple update statements that all apply to the same event then the runtime will ensure that the output events delivered to listeners or subscribers are consistent with the then-current updated properties of the event (if necessary making event copies, as described below, in the case that listeners are attached to update statements). Iterating over an update statement returns no events.

As an example, the below statement assumes an `AlertEvent` event type that has properties named `severity` and `reason`:

```
update istream AlertEvent
  set severity = 'High'
  where severity = 'Medium' and reason like '%withdrawal limit%'
```

The statement above changes the value of the `severity` property to "High" for `AlertEvent` events that have a medium severity and contain a specific reason text.

Update statements apply the changes to event properties before other statements receive the event(s) for processing, e.g. "select * from AlertEvent" receives the updated `AlertEvent`. This is true regardless of the order in which your application creates statements.

When multiple update statements apply to the same event, the runtime executes updates in the order in which update statements were deployed. We recommend the `@Priority` EPL annotation to define a deterministic order of processing updates, especially in the case where update statements get deployed and undeployed dynamically or multiple update statements update the same fields. The update statement with the highest `@Priority` value applies last.

The `update` clause can be used on streams populated via `insert into`, as this example utilizing a pattern demonstrates:

```
insert into DoubleWithdrawalStream
select a.id, b.id, a.account as account, 0 as minimum
from pattern [a=Withdrawal -> b=Withdrawal(id = a.id)]
```

```
update istream DoubleWithdrawalStream set minimum = 1000 where account in (10002,
10003)
```

When using `update istream` with named windows, any changes to event properties apply before an event enters the named window. The `update istream` is not available for tables.

Consider the next example (shown here with statement names in `@Name` EPL annotation, multiple statements):

```
@Name("CreateWindow") create window MyWindow#time(30 sec) as AlertEvent

@Name("UpdateStream") update istream MyWindow set severity = 'Low' where reason
= '%out of paper%'

@Name("InsertWindow") insert into MyWindow select * from AlertEvent

@Name("SelectWindow") select * from MyWindow
```

The `UpdateStream` statement specifies an `update` clause that applies to all events entering the named window. Note that `update` does not apply to events already in the named window at the time an application creates the `UpdateStream` statement, it only applies to new events entering the named window (after an application created the `update` statement).

Therefore, in the above example listeners to the `SelectWindow` statement as well as the `CreateWindow` statement receive the updated event, while listeners to the `InsertWindow` statement receive the original `AlertEvent` event (and not the updated event).

Subqueries can also be used in all expressions including the optional `where` clause.

This example demonstrates a correlated subquery in an assignment expression and also demonstrates the optional `as` keyword. It assigns the `phone` property of an `AlertEvent` event a new value based on the lookup within all unique `PhoneEvent` events (according to an `empid` property) correlating the `AlertEvent` property `reporter` with the `empid` property of `PhoneEvent`:

```
update istream AlertEvent as ae
  set phone =
    (select phone from PhoneEvent#unique(empid) where empid = ae.reporter)
```

When updating indexed properties use the syntax `propertyName[index] = value` with the index value being an integer number. When updating mapped properties use the syntax `propertyName(key) = value` with the key being a string value.

When using `update`, please note these limitations:

1. Expressions may not use aggregation functions.
2. The `prev` and `prior` functions may not be used.
3. For underlying event representations that are Java objects, a event object class must implement the `java.io.Serializable` interface as discussed below.
4. When using an XML underlying event type, event properties in the XML document representation are not available for update.
5. Nested properties are not supported for update. Variant streams may also not be updated.

5.20.1. Immutability and Updates

When updating event objects the runtime maintains consistency across statements. The runtime ensures that an update to an event does not impact the results of statements that look for or retain the original un-updated event. As a result the runtime may need to copy an event object to maintain consistency.

In the case your application utilizes Java objects as the underlying event representation and an `update` statement updates properties on an object, then in order to maintain consistency across statements it is necessary for the runtime to copy the object before changing properties (and thus not change the original object).

For Java application objects, the copy operation is implemented by serialization. Your event object must therefore implement the `java.io.Serializable` interface to become eligible for update. As an alternative to serialization, you may instead configure a copy method as part of the event type configuration via `ConfigurationEventTypeLegacy`.

5.21. Controlling Event Delivery : The `FOR` Clause

The runtime delivers all result events of a given statement to the statement's listeners and subscriber (if any) in a single invocation of each listener and subscriber's `update` method passing an array of result events. For example, a statement using a time-batch window may provide many result events after a time period passes, a pattern may provide multiple matching events or in a join the join cardinality could be multiple rows.

For statements that typically post multiple result events to listeners the `for` keyword controls the number of invocations of the runtime to listeners and subscribers and the subset of all result events delivered by each invocation. This can be useful when your application listener or subscriber code expects multiple invocations or expects that invocations only receive events that belong together by some additional criteria.

The `for` keyword is a reserved keyword. It is followed by either the `grouped_delivery` keyword for grouped delivery or the `discrete_delivery` keyword for discrete delivery. The `for` clause is valid after any EPL select statement.

The synopsis for grouped delivery is as follows:

```
... for grouped_delivery (group_expression [, group_expression] [...])
```

The `group_expression` expression list provides one or more expressions to apply to result events. The runtime invokes listeners and subscribers once for each distinct set of values returned by `group_expression` expressions passing only the events for that group. Further detail on key expressions can be found at [Section 5.2.13, "Composite Keys and Array Values as Keys"](#).

The synopsis for discrete delivery is as follows:

```
... for discrete_delivery
```

With discrete delivery the runtime invokes listeners and subscribers once for each result event passing a single result event in each invocation.

Consider the following example without `for`-clause. The time batch data window collects `RFIDEvent` events for 10 seconds and posts an array of result events:

```
select * from RFIDEvent#time_batch(10 sec)
```

Let's consider an example event sequence as follows:

Table 5.10. Sample Sequence of Events for `FOR` Keyword

Event
RFIDEvent(id:1, zone:'A')
RFIDEvent(id:2, zone:'B')
RFIDEvent(id:3, zone:'A')

Without `for`-clause and after the 10-second time period passes, the runtime delivers an array of 3 events in a single invocation to listeners and the subscriber.

The next example specifies the `for`-clause and grouped delivery by zone:

```
select * from RFIDEvent#time_batch(10 sec) for grouped_delivery (zone)
```

With grouped delivery and after the 10-second time period passes, the above statement delivers result events in two invocations to listeners and the subscriber: The first invocation delivers an array of two events that contains zone A events with id 1 and 3. The second invocation delivers an array of 1 event that contains a zone B event with id 2.

The next example specifies the `for`-clause and discrete delivery:

```
select * from RFIDEvent#time_batch(10 sec) for discrete_delivery
```

With discrete delivery and after the 10-second time period passes, the above statement delivers result events in three invocations to listeners and the subscriber: The first invocation delivers an array of 1 event that contains the event with id 1, the second invocation delivers an array of 1 event that contains the event with id 2 and the third invocation delivers an array of 1 event that contains the event with id 3.

Remove stream events are also delivered in multiple invocations, one for each group, if your statement selects remove stream events explicitly via `istream` or `rstream` keywords.

The `insert into` for inserting events into a stream is not affected by the `for`-clause.

The delivery order respects the natural sort order or the explicit sort order as provided by the `order by` clause, if present.

The following are known limitations:

1. The compiler validates *group_expression* expressions against the output event type, therefore all properties specified in *group_expression* expressions must occur in the `select` clause.

Chapter 6. EPL Reference: Named Windows and Tables

6.1. Overview

A *named window* is a globally-visible data window. A *table* is a globally-visible data structure organized by primary key or keys.

Named windows and tables both offer a way to share state between statements and are stateful. Named windows and tables have differing capabilities and semantics.

To query a named window or table, simply use the named window name or table name in the `from` clause of your statement, including statements that contain subqueries, joins and outer-joins.

Certain clauses operate on either a named window or a table, namely the `on-merge`, `on-update`, `on-delete` and `on-select` clauses. The fire-and-forget queries also operate on both named windows and tables.

Both named windows and tables can have columns that hold events as column values, as further described in [Section 6.11, “Events as Property”](#).

6.1.1. Named Window Overview

Named Windows are introduced in [Section 2.14.1, “Named Windows”](#).

A *named window* is a global data window that can take part in many statements and that can be inserted-into and deleted-from by multiple statements. A named window holds events of the same type or supertype, unless used with a variant stream.

The `create window` clause declares a new named window. The named window starts up empty unless populated from an existing named window at time of deployment. Events must be inserted into the named window using the `insert into` clause. Events can also be deleted from a named window via the `on delete` clause.

Events enter the named window by means of `insert into` clause of a `select` statement. Events leave a named window either because the expiry policy of the declared data window removes events from the named window, or through statements that use the `on delete` clause to explicitly delete from a named window.

A named window may also decorate an event to preserve original events as described in [Section 5.10.4, “Decorated Events”](#) and [Section 6.2.2.1, “Named Windows Holding Decorated Events”](#).

To tune subquery performance when the subquery selects from a named window, consider the hints discussed in [Section 5.11.8, “Hints Related to Subqueries”](#).

6.1.2. Table Overview

Tables are introduced in [Section 2.14.2, “Tables”](#).

A *table* is a data structure that is globally visible and that holds state.

The columns of a table can store aggregation state, allowing for co-location of event data with aggregation state. Other statements can directly create and update the shared aggregation state. Statements can also query the aggregation state conveniently. Aggregation state can include comprehensive state such as for example a large matrix of long-type values for use in a Count-min sketch approximation. Common aggregation state can be updated by multiple statements.

Use the `create table` clause to declare a new table.

The atomicity guarantees under multi-threaded evaluation are as follows. For a given statement, a table row or rows either exists or do not exist, consistently, for the duration of the evaluation of an event or timer against a context partition of a statement. The same is true for updates in that for a given context partition of a statement, each table row is either completely updated or not updated at all for the duration of an evaluation. Stream-level filter expressions against tables are not part of statement evaluation and the same atomicity applies to stream-level filter expressions.

6.1.3. Comparing Named Windows and Tables

As a general rule-of-thumb, if you need to share a data window between statements, the named window is the right approach. If however rows are organized by primary key or hold aggregation state, a table may be preferable. Statements allow the combined use of both.

In summary the difference comes from named windows holding immutable events, versus tables which hold update-in-place rows and columns that can hold plain values and complex aggregation state side-by-side.

6.1.3.1. Nature of Data

One important difference between named windows and tables is in the data that a row holds: While named windows hold events, tables can hold additional derived state.

For example, a table column can hold rich derived state such as a distinct values set and rich aggregation state such as the state of a Count-min sketch approximation aggregation (a large matrix of long-type values).

```
// Declare a table to hold a Count-min sketch approximate count per feed
create table ApproximateCountPerWord (feed string, approx countMinSketch())
```

6.1.3.2. Data Organization

A second difference between named windows and tables is the organization of rows. For named windows, the organization of rows follows the data window declaration. Tables, on the other hand, can be organized by a primary key or by multiple primary keys that make up a compound key.

For example, if your declaration specifies a sliding time window to hold 10 seconds of stock tick events then the rows are held in a sliding time window, i.e. a list or queue according to arrival order.

```
// Declare a named window to hold 10 seconds of stock tick events
create window TenSecOfTicksWindow#time(10 sec) as StockTickEvent
```

An iterator for a named window returns rows in the order as provided by the data window(s) declared for the named window. An iterator for a table returns rows in an unpredictable order.

6.1.3.3. Insert and Remove Stream

Only named windows provide an insert and remove stream to other statements. Tables do not provide an insert and remove stream.

For example, considering the `TenSecOfTicksWindow` named window declared above, the following statement outputs the current count each time events enter or leave the named window.

```
select count(*) from TenSecOfTicksWindow
```

Also for example, considering the `AppoximateCountPerWord` table declared above, the following EPL does not output any rows when table rows gets inserted, updated or deleted and only outputs rows when the statement is iterated:

```
// does not continuously output for table changes
select * from AppoximateCountPerWord
```

6.1.3.4. Immutability and Copy-On-Write

As named windows hold events and events are immutable, when an update statement updates events held in a named window, the runtime performs a logical copy operation (copy-on-write, as configured for the type) of each updated event, and only modifies the newly created event, preserving the immutable original event.

Data in tables are updated in-place. There is no copy operation for table rows.

6.1.3.5. Removal of Rows

For named windows, the data window declared for the named window instructs the runtime to expire and remove events from the named window. Events can also be removed via `on-merge`, `on-delete` and `fire-and-forget delete`.

For tables, row can only be removed via `on-merge`, `on-delete`, `on-select-and-delete` and `fire-and-forget delete`.

6.2. Named Window Usage

6.2.1. Creating Named Windows: The `create window` clause

The `create window` statement creates a named window by specifying a window name and one or more data windows, as well as the type of event to hold in the named window.

There are two syntaxes for creating a named window: The first syntax allows modeling a named window after an existing event type or an existing named window. The second syntax is similar to the SQL `create-table` syntax and provides a list of column names and column types.

A new named window starts up empty. It must be explicitly inserted into by one or more statements, as discussed below. A named window can also be populated at time of creation from an existing named window.

Your application can only undeploy the statement that created the named window after all other statements that use the named window are also undeployed.

The `create window` statement posts to listeners any events that are inserted into the named window as new data. The statement posts all deleted events or events that expire out of the data window to listeners as the remove stream (old data). The named window contents can also be iterated on via the pull API to obtain the current contents of a named window.

6.2.1.1. Creation by Modeling After an Existing Type

The benefit of modeling a named window after an existing event type is that event properties can be nested, indexed, mapped or other types that your event objects may provide as properties, including the type of the underlying event itself. Also, using the wildcard (*) operator means your EPL does not need to list each individual property explicitly.

The syntax for creating a named window by modeling the named window after an existing event type, is as follows:

```
[context context_name]  
create window window_name.window_spec  
[as] [select list_of_properties from] event_type_or_windowname  
[insert [where filter_expression]]
```

The *window_name* you assign to the named window can be any identifier. The name should not already be in use as an event type or stream name or table name.

The `window_spec` are one or more data windows that define the expiry policy for removing events from the named window. Named windows must explicitly declare a data window. This is required to ensure that the policy for retaining events in the data window is well defined. To keep all events, use the keep-all window: It indicates that the named window should keep all events and only remove events from the named window that are deleted by `on delete`, `on merge` or fire-and-forget `delete`. Data windows are listed in [Chapter 14, EPL Reference: Data Windows](#).

The `select` clause and `list_of_properties` are optional. If present, they specify the column names and, implicitly by definition of the event type, the column types of events held by the named window. Expressions other than column names are not allowed in the `select` list of properties. Wildcards (*) and wildcards with additional properties can also be used.

The `event_type_or_windowname` is required if using the model-after syntax. It provides the name of the event type of events held in the data window, unless column names and types have been explicitly selected via `select`. The name of an (existing) other named window is also allowed here. Please find more details in [Section 6.2.1.4, "Populating a Named Window From an Existing Named Window"](#).

Finally, the `insert` clause and optional `filter_expression` are used if the new named window is modelled after an existing named window, and the data of the new named window is to be populated from the existing named window upon deployment. The optional `filter_expression` can be used to exclude events.

You may refer to a context by specifying the `context` keyword followed by a context name. Contexts are described in more detail at [Chapter 4, Context and Context Partitions](#). The effect of referring to a context is that your named window operates according to the context dimensional information as declared for the context. For usage and limitations please see the respective chapter.

The next statement creates a named window `OrdersNamedWindow` for which the expiry policy is simply to keep all events. Assume that the event type 'OrderMapEventType' has been configured. The named window is to hold events of type 'OrderMapEventType':

```
create window OrdersNamedWindow#keepall as OrderMapEventType
```

The below sample statement demonstrates the `select` syntax. It defines a named window in which each row has the three properties 'symbol', 'volume' and 'price'. This named window actively removes events from the window that are older than 30 seconds.

```
create window OrdersTimeWindow#time(30 sec) as
  select symbol, volume, price from OrderEvent
```

In an alternate form, the `as` keyword can be used to rename columns, and constants may occur in the `select`-clause as well:

```
create window OrdersTimeWindow#time(30 sec) as
  select symbol as sym, volume as vol, price, 1 as alertId from OrderEvent
```



Note

The `select`-clause when used with `create window` provides types information only. You must still use `on-merge` or `insert-into` to insert events.

6.2.1.2. Creation By Defining Columns Names and Types

The second syntax for creating a named window is by supplying column names and types:

```
[context context_name]
create window window_name.window_spec [as] (column_name column_type
  [,column_name column_type [,...])
```

The `column_name` is an identifier providing the event property name. The `column_type` is also required for each column. Valid column types are listed in [Section 5.17.1, “Creating Variables: The Create Variable Clause”](#) and are the same as for variable types.

For attributes that are array-type append `[]` (left and right brackets).

The next statement creates a named window:

```
create window SecurityEvent#time(30 sec)
(ipAddress string, userId String, numAttempts int, properties String[])
```

Named window columns can hold events by declaring the column type as the event type name. Array-type in combination with event-type is also supported.

The next two statements declare an event type and create a named window with a column of the defined event type:

```
create schema SecurityData (name String, roles String[])
```

```
create window SecurityEvent#time(30 sec)
  (ipAddress string, userId String, secData SecurityData, historySecData
  SecurityData[])
```

Whether the named window uses a Map, Object-array, JSON or Avro event representation for the rows can be specified as follows. If the create-window statement provides the `@EventRepresentation(objectarray)` annotation the runtime maintains named window rows as object array, for example. If no annotation is provided, the runtime uses the configured default event representation as discussed in [Section 17.4.9.1, “Default Event Representation”](#).

The following statement instructs the runtime to represent FooWindow rows as object arrays:

```
@EventRepresentation(objectarray) create window FooWindow#time(5 sec) as (string
prop1)
```

6.2.1.3. Dropping or Removing Named Windows

There is no syntax to drop or remove a named window.

Undeploying the deployment that created the named window also removes the named window.

6.2.1.4. Populating a Named Window From an Existing Named Window

Your statement may specify the name of an existing named window when creating a new named window, and may use the `insert` keyword to indicate that the new named window is to be populated from the events currently held by the existing named window.

For example, and assuming the named window `OrdersNamedWindow` already exists, this statement creates a new named window `ScratchOrders` and populates all orders in `OrdersNamedWindow` into the new named window:

```
create window ScratchOrders#keepall as OrdersNamedWindow insert
```

The `where` keyword is also available to perform filtering, for example:

```
create window ScratchBuyOrders#time(10) as OrdersNamedWindow insert where side
= 'buy'
```

6.2.2. Inserting Into Named Windows

The `insert into` clause inserts events into named windows. Your application must ensure that the column names and types match the declared column names and types of the named window to be inserted into.

For inserting into a named window and for simultaneously checking if the inserted row already exists in the named window or for atomic update-insert operation on a named window, or for

targeting a specific partition, you must use `on-merge` as described in [Section 6.8, “Triggered Upsert Using the On-Merge Clause”](#). On-merge is similar to the SQL `merge` clause and provides what is known as an "Upsert" operation: Update existing events or if no existing event(s) are found then insert a new event, all in one atomic operation provided by a single statement.

This example first creates a named window using some of the columns of an `OrderEvent` event type:

```
create window OrdersWindow#keepall as select symbol, volume, price from
OrderEvent
```

The insert into the named window selects individual columns to be inserted:

```
insert into OrdersWindow(symbol, volume, price) select name, count, price from
FXOrderEvent
```

An alternative form is shown next:

```
insert into OrdersWindow select name as symbol, vol as volume, price from
FXOrderEvent
```

Following above statement, the runtime enters every `FXOrderEvent` arriving into the runtime into the named window 'OrdersWindow'.

The following statements create a named window for an event type backed by a Java class and insert into the window any 'OrderEvent' where the symbol value is IBM:

```
create window OrdersWindow#time(30) as com.mycompany.OrderEvent
```

```
insert into OrdersWindow select * from com.mycompany.OrderEvent(symbol='IBM')
```

The last example adds one column named 'derivedPrice' to the 'OrderEvent' type by specifying a wildcard, and uses a user-defined function to populate the column:

```
create window OrdersWindow#time(30) as select *, price as derivedPrice from
OrderEvent
```



```
insert into OrdersWindow select *, MyFunc.func(price, percent) as derivedPrice
from OrderEvent
```

Event representations based on Java base classes or interfaces, and subclasses or implementing classes, are compatible as these statements show:

```
// create a named window for the base class
create window OrdersWindow#unique(name) as select * from ProductBaseEvent
```

```
// The ServiceProductEvent class subclasses the ProductBaseEvent class
insert into OrdersWindow select * from ServiceProductEvent
```

```
// The MerchandiseProductEvent class subclasses the ProductBaseEvent class
insert into OrdersWindow select * from MerchandiseProductEvent
```

To avoid duplicate events inserted in a named window and atomically check if a row already exists, use `on-merge` as outlined in [Section 6.8, “Triggered Upsert Using the On-Merge Clause”](#). An example:

```
on ServiceProductEvent as spe merge OrdersWindow as win
where win.id = spe.id when not matched then insert select *
```

6.2.2.1. Named Windows Holding Decorated Events

Decorated events hold an underlying event and add additional properties to the underlying event, as described further in [Section 5.10.4, “Decorated Events”](#).

This sample statement creates a named window that decorates `OrderEvent` events by adding an additional property named `priceTotal` to each `OrderEvent`. A matching `insert into` statement is also part of the sample:

```
create window OrdersWindow#time(30) as select *, price as priceTotal from
OrderEvent
```

```
insert into OrdersWindow select *, price * unit as priceTotal from
ServiceOrderEvent
```

The property type of the additional `priceTotal` column is the property type of the existing `price` property of `OrderEvent`.

6.2.3. Selecting From Named Windows

A named window can be referred to by any statement in the `from` clause of the statement. Filter criteria can also be specified. Data windows cannot be specified when selecting from a named window (the special derived-value windows are allowed however).

A statement selecting all events from a named window `OrdersNamedWindow` is shown next. The named window must first be created via the `create window` clause before use.

```
select * from OrdersNamedWindow
```

The statement as above simply receives the unfiltered insert stream of the named window and reports that stream to its listeners. The `iterator` method returns all events in the named window, if any.

If your application desires to obtain the events removed from the named window, use the `rstream` keyword as this statement shows:

```
select rstream * from OrdersNamedWindow
```

The next statement derives an average price per symbol for the events held by the named window:

```
select symbol, avg(price) from OrdersNamedWindow group by symbol
```

A statement that consumes from a named window, like the one above, receives the insert and remove stream of the named window. The insert stream represents the events inserted into the named window. The remove stream represents the events expired from the named window data window and the events explicitly deleted via `on-delete` for fire-and-forget (on-demand) `delete`.

Your application may create a consuming statement such as above on an empty named window, or your application may create the above statement on an already filled named window. The runtime provides correct results in either case: At the time of deployment the runtime internally initializes the consuming statement from the current named window, also taking your declared filters into consideration. Thus, your statement deriving data from a named window does not start empty if the named window already holds one or more events. A consuming statement also sees the remove stream of an already populated named window, if any.

If you require a subset of the data in the named window, you can specify one or more filter expressions onto the named window as shown here:

```
select symbol, avg(price) from OrdersNamedWindow(sector='energy') group by symbol
```

By adding a filter to the named window, the aggregation and grouping receive a filtered insert and remove stream. The above statement thus outputs, continuously, the average price per symbol for all orders in the named window that belong to a certain sector.

A side note on variables in filters filtering events from named windows: The runtime initializes consuming statements at statement deployment time and changes aggregation state continuously as events arrive. If the filter criteria contain variables and variable values changes, then the runtime does not re-evaluate or re-build aggregation state. In such a case you may want to place variables in the `having` clause which evaluates on already-built aggregation state.

The following example further declares a custom derived-value window named `myplugindatawindow`.

```
select * from OrdersNamedWindow(volume>0, price>0)#myplugindatawindow()
```

Data windows cannot be used onto named windows since named windows post insert and remove streams for the events entering and leaving the named window, thus the expiry policy and batch behavior are well defined by the data window declared for the named window. For example, the following is not allowed and fails at time of statement compilation:

```
// not a valid statement
select * from OrdersNamedWindow#time(30 sec)
```

6.3. Table Usage

6.3.1. Creating Tables: The `create table` Clause

The `create table` statement creates a table.

A new table starts up empty. It must be explicitly aggregated-into using `into table`, or populated by an `on-merge` statement, or populated by `insert into`.

The syntax for creating a table provides the table name, lists column names and types and designates primary key columns:

```
[context context_name]
create table table_name [as] (column_name column_type [primary key]
    [, column_name column_type [primary key] [...]])
```

The `table_name` you assign to the table can be any identifier. The name should not already be in use as an event type or named window name.

You may refer to a context by specifying the `context` keyword followed by a context name. Contexts are described in more detail at [Chapter 4, Context and Context Partitions](#). The effect of referring to a context is that your table operates according to the context dimensional information as declared for the context. For usage and limitations please see the respective chapter.

The `column_name` is an identifier providing the column name.

The `column_type` is required for each column. There are two categories of column types:

1. Non-aggregating column types: Valid column types are listed in [Section 5.17.1, "Creating Variables: The Create Variable Clause"](#) and are the same as for variable types. For attributes that are array-type append `[]` (left and right brackets). Table columns can hold events by declaring the column type as the event type name. Array-type in combination with event-type is also supported.
2. Aggregation column types: These instruct the runtime to retain aggregation state.

After each column type you may add the `primary key` keywords. This keyword designates the column as a primary key. When multiple columns are designated as primary key columns the combination of column values builds a compound primary key. The order in which the primary key columns are listed is important. Further detail on key expressions can be found at [Section 5.2.13, "Composite Keys and Array Values as Keys"](#).

The next statement creates a table to hold a `numAttempts` count aggregation state and a column named `active` of type `boolean`, per `ipAddress` and `userId`:

```
create table SecuritySummaryTable (  
  ipAddress string primary key,  
  userId String primary key,  
  numAttempts count(*),  
  active boolean)
```

The example above specifies `ipAddress` and `userId` as primary keys. This instructs the runtime that the table holds a single row for each distinct combination of `ipAddress` and `userId`. The two values make up the compound key and there is a single row per compound key value.

If you do not designate any columns of the table as a primary key column, the table holds only one row (or no rows).

The create table statement does not provide output to its listeners. The table contents can be iterated on via the pull API to obtain the current contents of a table.

6.3.1.1. Column Types for Aggregation Functions

All aggregation functions can be used as column types for tables. Please simply list the aggregation function name as the column type and provide type information, when required. See [Section 10.2.1, "SQL-Standard Functions"](#) for a list of the functions and required parameter expressions for which you must provide type information.

Consider the next example that declares a table with columns for different aggregation functions (not a comprehensive example of all possible aggregation functions):

```
create table MyStats (
  myKey string primary key,
  myAvedev avedev(int), // column holds a mean deviation of int-typed values
  myAvg avg(double), // column holds an average of double-typed values
  myCount count(*), // column holds a count
  myMax max(int), // column holds a highest int-typed value
  myMedian median(float), // column holds the median of float-typed values
  myStddev stddev(java.math.BigDecimal), // column holds a standard deviation
of BigDecimal values
  mySum sum(long), // column holds a sum of long values
  myFirstEver firstever(string), // column holds a first-ever value of type string
  myCountEver countever(*) // column holds the count-ever (regardless of data
windows)
)
```

Additional keywords such as `distinct` can be used as well. If your aggregation will be associated with a filter expression, you must add `boolean` to the parameters in the column type declaration.

For example, the next EPL declares a table with aggregation-type columns that hold an average of filtered double-typed values and an average of distinct double-typed values:

```
create table MyStatsMore (
  myKey string primary key,
  myAvgFiltered avg(double, boolean), // column holds an average of double-
typed values
                                     // and filtered by a boolean expression to be provided
  myAvgDistinct avg(distinct double) // column holds an average of distinct
double-typed values
)
```

6.3.1.2. Column Types for Event Aggregation Functions

The event aggregation functions can be used as column types for tables. For event aggregation functions you must specify the event type using the `@type(name)` annotation.

The `window` event aggregation function requires the `*` wildcard. The `first` and `last` cannot be used in a declaration, please use `window` instead and access as described in [Section 6.3.3.2, “Using Aggregation Methods to Access Aggregation State with the Dot Operator”](#).

The `sorted`, `maxbyever` and `minbyever` event aggregation functions require the criteria expression as a parameter. The criteria expression must only use properties of the provided event type. The `maxby` and `minby` cannot be used in a declaration, please use `sorted` instead and

access as described in [Section 6.3.3.2, “Using Aggregation Methods to Access Aggregation State with the Dot Operator”](#).

In this example the table declares sample event aggregations (not a comprehensive example of all possible aggregations):

```
create table MyEventAggregationTable (  
    myKey string primary key,  
    myWindow window(*) @type(MyEvent), // column holds a window of MyEvent events  
    mySorted sorted(mySortValue) @type(MyEvent), // column holds MyEvent events  
    sorted by mySortValue  
    myMaxByEver maxbyever(mySortValue) @type(MyEvent) // column holds the single  
    MyEvent event that  
        // provided the highest value of mySortValue ever  
)
```

6.3.1.3. Column Types for Plug-In Custom Aggregation Functions

Any custom single-function and multi-function aggregation can be used as a table column type. If the aggregation has multiple different return values and aggregations share common state, the multi-function aggregation is the preferred API.

For example, the next EPL declares a table with a single column that holds the state of the aggregation function `myAggregation`:

```
create table MyStatsCustom (myCustom myAggregation('some code', 100))
```

The above example passes the values `some code` and `100` to show how to pass constants to your custom aggregation function at declaration time.

6.3.1.4. Dropping or Removing Tables

There is no syntax to drop or remove a table.

Undeploying the deployment that created the table also removes the table.

The `stop` method on the `EPStatement` that created the table has no effect.

6.3.2. Aggregating Into Table Rows: The `Into Table` Clause

Use the `into table` keywords to instruct the runtime to aggregate into table columns. A given statement can only aggregate into a single table.

For example, consider a table that holds the count of intrusion events keyed by the combination of from-address and to-address:

```
create table IntrusionCountTable (  
  fromAddress string primary key,  
  toAddress string primary key,  
  countIntrusion10Sec count(*),  
  countIntrusion60Sec count(*)  
)
```

The next sample statement updates the count considering the last 10 seconds of events:

```
into table IntrusionCountTable  
select count(*) as countIntrusion10Sec  
from IntrusionEvent#time(10)  
group by fromAddress, toAddress
```

For statements that have a data window, like the example above, the `into table` instructs the runtime to update the aggregations that reside in the table column for events entering the data window and for events expiring from the data window. For statements that don't have a data window the `into table` instructs the runtime to update the aggregation for arriving events.

In the example above, when an `IntrusionEvent` enters the 10-second time window the runtime increments the count aggregation by one. When an `IntrusionEvent` gets removed from (expires from) the 10-second time window the runtime decrements the count aggregation by one.

Multiple statements can aggregate into the same table columns or different table columns. The co-aggregating ability allows you to co-locate aggregation state conveniently.

The sample shown below is very similar to the previous statement except that it updates the count considering the last 60 seconds of events:

```
into table IntrusionCountTable  
select count(*) as countIntrusion60Sec  
from IntrusionEvent#time(60)  
group by fromAddress, toAddress
```

Considering the example above, when an intrusion event arrives and a row for the group-by key values (from and to-address) does not exist, the runtime creates a new row and updates the aggregation-type columns. If the row for the group-by key values exists, the runtime updates the aggregation-type columns of the existing row.

Tables can have no primary key columns. In this case a table either has a single row or is empty.

The next two statements demonstrate table use without a primary key column:

```
create table TotalIntrusionCountTable (totalIntrusions count(*))
```

```
into table TotalIntrusionCountTable select count(*) as totalIntrusions from  
IntrusionEvent
```

In conjunction with `into table` the `unidirectional` keyword is not supported.

6.3.2.1. Group-By Clause Requirements

The use of the `into table` clause requires that the `group by` clause must list group-by expressions that match the table's primary key declarations in terms of the number, return type and order of group-by expressions. It is not necessary that table column names match group-by expression texts.

For example consider a table with a single long-type primary key column:

```
create table MyTable (theKey long primary key, theCount count(*))
```

The following EPL are all not valid:

```
// Invalid: No group-by clause however the table declares a primary key  
into table MyTable select count(*) as theCount from MyEvent
```

```
// Invalid: Two expressions in the group-by clause however the table declares  
a single primary key  
into table MyTable select count(*) as theCount from MyEvent group by  
longPropertyOne, longPropertyTwo
```

```
// Invalid: The group-by clause expression returns a string-typed value however  
the table expects a long-type primary key  
into table MyTable select count(*) as theCount from MyEvent group by  
stringProperty
```

You may use the `rollup`, `cube` and `grouping sets` keywords in conjunction with tables.

6.3.2.2. Aggregation State Requirements

The use of the `into table` clause requires that all aggregation state of the statement resides in table columns.

For example consider a simple table as follows:

```
create table MyTable (theKey long primary key, theCount count(*))
```

The following EPL is not valid:

```
// Invalid: the sum aggregation state is not available in a table column
into table MyTable select count(*) as theCount, sum(intProperty) from MyEvent
group by longProperty
```

6.3.2.3. Aggregation Function Requirements

The use of the `into table` clause requires that all aggregation functions that are listed in the statement are compatible with table column types, and that the statement has at least one aggregation function.

For example consider a simple table as follows:

```
create table MyTable (theKey long primary key, theCount count(*))
```

The following EPL is not valid:

```
// Invalid: the sum aggregation state is not compatible with count(*) that was
declared for the table column's type
into table MyTable select sum(intProperty) as theCount from MyEvent group by
longProperty
```

If declared, the `distinct` keyword and filter expressions must also match. The event type information must match for event aggregation functions.

6.3.2.4. Column Naming Requirements

The use of the `into table` clause requires that the aggregation functions are named. You can name an expression two ways.

1. First, you can name the aggregation function expression by adding it to the select-clause and by providing the `as`-keyword followed by the table column name. The examples earlier use this technique.
2. Second, you can name the aggregation function by placing it into a declared expression that carries the same name as the table column.

This example demonstrates the second method of naming an aggregation function:

```
expression alias totalIntrusions {count(*)}  
select totalIntrusions from IntrusionEvent
```

6.3.3. Table Column Keyed-Access Expressions

For accessing table columns by primary key, EPL provides a convenient syntax that allows you to read table column values simply by providing the table name, primary key value expressions (if required by the table) and the column name.

The synopsis for table-column access expressions is:

```
table-name[primary_key_expr [, primary_key_expr] [...]][.column-name]
```

The expression starts with the table name. If the table declares primary keys you must provide the *primary_key_expr* value expressions for each primary key within square brackets. To access a specific column, add the (.) dot character and the column name.

For example, consider a table that holds the count of intrusion events keyed by the combination of from-address and to-address:

```
create table IntrusionCountTable (  
  fromAddress string primary key,  
  toAddress string primary key,  
  countIntrusion10Sec count(*)  
)
```

Assuming that a `FireWallEvent` has string-type properties named `from` and `to`, the next statement outputs the current 10-second intrusion count as held by the `IntrusionCountTable` row for the matching combination of keys:

```
select IntrusionCountTable[from, to].countIntrusion10Sec from FirewallEvent
```

The number of primary key expressions, the return type of the primary key expressions and the order in which they are provided must match the primary key columns that were declared for the table. If the table does not have any primary keys declared, you cannot provide any primary key expressions.

If a row for the primary key (or compound key) cannot be found, the runtime returns a `null` value.

An example table without primary key columns is shown next:

```
create table TotalIntrusionCountTable (totalIntrusions count(*))
```

A sample statement that outputs the current total count every 60 seconds is:

```
select      TotalIntrusionCountTable.totalIntrusions      from      pattern[every
timer:interval(60 sec)]
```

Table access expressions can be used anywhere in statements except as parameter expressions for data windows, the `update istream`, context declarations, output limit expressions, pattern observer and guard parameters, pattern every-distinct, pattern match-until bounds, pattern followed-by max and `create window insert` or `select` expression and as a `create variable` assignment expression.

6.3.3.1. Reading All Column Values

If your keyed-access expression emits the column name, the runtime returns all current column values.

An example EPL:

```
select IntrusionCountTable[from, to] from FirewallEvent
```

The runtime returns each column value, or null if no row is found. For aggregation-type columns it returns the current aggregation value.

6.3.3.2. Using Aggregation Methods to Access Aggregation State with the Dot Operator

Certain aggregation functions allow accessing aggregation state using the `(.)` dot operator. The methods that operate on aggregation state are called aggregation methods. Aggregation methods are explained further in [Chapter 13, EPL Reference: Aggregation Methods](#).

The EPL shown below declares a table that keeps an unsorted set of events and a sorted set of events. This sample table has no primary key columns:

```
create table MyTable (
  theWindow window(*) @type(MyEvent),
  theSorted sorted(mySortValue) @type(MyEvent)
)
```

This statement uses the `first` and the `maxBy` aggregation methods to return the first (oldest) event and the greatest event according to the sort value:

```
select MyTable.theWindow.first(), MyTable.theSorted.maxBy() from SomeOtherEvent
```

6.3.3.3. Obtaining All Table Keys

Tables provide the `keys` method that returns all table keys. The synopsis is:

```
tablename.keys()
```

The return type of the method is object-array. Each element of the array is a table key. For composite table keys, each element of the array is itself of type object-array and each array element is the primary key value.

An example EPL:

```
select IntrusionCountTable.keys() from FirewallEvent
```

The runtime returns an array of primary keys.

6.3.4. Inserting Into Tables

The `insert into` clause inserts rows into a table. Your application must ensure that the column names and types match the declared column names and types of the table to be inserted into, when provided.

For inserting into a table and for simultaneously checking if the inserted row already exists in the table or for atomic update-insert operation on a table, or for targeting a specific partition, you must use `on-merge` as described in [Section 6.8, "Triggered Upsert Using the On-Merge Clause"](#). `On-merge` is similar to the SQL `merge` clause and provides what is known as an "Upsert" operation: Update existing rows or if no existing rows(s) are found then insert a new row, all in one atomic operation provided by a single statement.

The following statement populates the example table declared earlier:

```
insert into IntrusionCountTable select fromAddress, toAddress from FirewallEvent
```

Note that when a row with the same primary key values already exists, your statement may encounter a unique index violation at runtime. If the inserted-into table does not have primary key columns, the table holds a maximum of one row and your statement may also encounter a unique index violation upon attempting to insert a second row. Use `on-merge` to prevent inserts of duplicate rows.

Table columns that are aggregation functions cannot be inserted-into and must be updated using `into table` instead.

You may also explicitly list column names as discussed earlier in [Section 6.2.2, "Inserting Into Named Windows"](#). For `insert-into`, the context name must be the same context name as declared for the `create table` statement or the context name must be absent for both.

6.3.5. Selecting From Tables

A table can be referred to by any statement in the `from`-clause of the statement.

Tables do not provide an insert and remove stream. When a table appears alone in the `from`-clause (other than as part of a subquery), the statement produces output only when iterated (see pull API) or when executing a fire-and-forget (on-demand) query.

Assuming you have declared a table by name `IntrusionCountTable` as shown earlier, the following statement only returns rows when iterated or when executing the EPL as a fire-and-forget (on-demand) query or when adding an output snapshot:

```
select * from IntrusionCountTable
```

For tables, the contained-event syntax and specifying a data window is not supported. In a join, a table in the `from`-clause cannot be marked as `unidirectional`. You may not specify any of the retain-flags. Tables cannot be used in the `from`-clause of match-recognize statements, in context declarations, in pattern filter atoms and `update istream`.

The following are examples of invalid statements:

```
// invalid statement examples
select * from IntrusionCountTable#time(30 sec) // data window not allowed
select * from IntrusionCountTable unidirectional, MyEvent // tables cannot
be marked as unidirectional
```

Tables can be used in subqueries and joins.

It follows a sample subselect and join against the table:

```
select
  (select * from IntrusionCountTable as intr
   where intr.fromAddress = firewall.fromAddress and intr.toAddress =
   firewall.toAddress)
from IntrusionEvent as firewall
```

```
select * from IntrusionCountTable as intr, IntrusionEvent as firewall
where intr.fromAddress = firewall.fromAddress and intr.toAddress =
firewall.toAddress
```

If the subselect or join specifies all of a table's primary key columns, please consider using the table-access expression instead. It offers a more concise syntax.

Note that for a subquery against a table that may return multiple rows, the information about subquery multi-row selection applies. For subselects, consider using `@eventbean` to preserve table type information in the output event.

Note that for joins against tables the compiler does not allow specifying table filter expressions in parenthesis, in the `from` clause. Filter expressions must instead be placed into the `where`-clause.

You may access aggregation state the same way as in table-access expressions, using the dot (`.`) operator.

The EPL shown below declares a table that keeps a set of events, and shows a join that selects window aggregation state:

```
create table MyWindowTable (theWindow window(*) @type(MyEvent))
```

```
select theWindow.first(), theWindow.last(), theWindow.window() from MyEvent,
MyWindowTable
```

6.3.6. Resetting Table Columns and Aggregation State

For resetting plain table columns, you may simple assign a value using `set name = value` within an `on-merge update-` action to set new values. You may also use fire-and-forget queries.

For resetting aggregation-typed table columns, as they represent aggregation state, it is not possible to use a straight assignment. Instead, the runtime provides a `reset` method. The syntax for the reset method is `column-name.reset()` and is only available as part of `on-merge` and the `update-action`. You may also reset all aggregations of a table row by specifying `table-alias.reset()`.

For example, consider a table that holds the count of intrusion events keyed by the combination of from-address and to-address:

```
create table IntrusionCountTable (
  fromAddress string primary key,
  toAddress string primary key,
  countIntrusion10Sec count(*),
  countIntrusion60Sec count(*)
)
```

Assume there is an event that triggers the reset of the `countIntrusion10Sec` and `countIntrusion60Sec` counts:

```
create schema IntrusionReset(fromAddress string, toAddress string)
```

Use `on-merge` to reset the count columns like so:

```
on IntrusionReset as resetEvent merge IntrusionCountTable as tableRow
where resetEvent.fromAddress = tableRow.fromAddress and resetEvent.toAddress =
  tableRow.toAddress
when matched then update set countIntrusion10Sec.reset(),
  countIntrusion60Sec.reset()
```

Alternatively you may specify the table alias to reset all of a table row's aggregation state:

```
on IntrusionReset as resetEvent merge IntrusionCountTable as tableRow
where resetEvent.fromAddress = tableRow.fromAddress and resetEvent.toAddress =
  tableRow.toAddress
when matched then update set tableRow.reset()
```

6.3.7. Initializing Table Columns and Aggregation State

For initializing plain table columns, you may simply assign a value using `set name = value` within an `on-merge update-` action to set new values. You may also use fire-and-forget queries.

For initializing aggregation-typed table columns, as they represent aggregation state, it is not possible to use a straight assignment. Instead, you must use `into table` since aggregation state is complex state and requires adding and removing values or events and therefore cannot be assigned to.

If the aggregation-typed column is a count, please declare the column as a sum instead and use `sum(initial value)` to initialize the value or `sum(1)` to increment the sum.

6.4. Triggered Select: The `on select` Clause

The `on select` clause performs a one-time, non-continuous query on a named window or table every time a triggering event arrives or a triggering pattern matches. The statement can consider all rows, or only rows that match certain criteria, or rows that correlate with an arriving event or a pattern of arriving events.

The syntax for the `on select` clause is as follows:

```
on event_type[(filter_criteria)] [as stream_name]
[insert into insert_into_def]
select select_list
from window_or_table_name [as stream_name]
```

```
[where criteria_expression]  
[group by grouping_expression_list]  
[having grouping_search_conditions]  
[order by order_by_expression_list]
```

The *event_type* is the name of the type of events that trigger the query against the named window or table. It is optionally followed by *filter_criteria* which are filter expressions to apply to arriving events. The optional `as` keyword can be used to assign a stream name. Patterns or named windows can also be specified in the `on` clause, see the samples in [Section 6.7.1, “Using Patterns in the On-Delete Clause”](#) (for a named window as a trigger only insert stream events trigger actions) (tables cannot be triggers).

The *insert into* clause works as described in [Section 5.10, “Merging Streams and Continuous Insertion: The Insert Into Clause”](#). The *select* clause is described in [Section 5.3, “Choosing Event Properties and Events: The Select Clause”](#). For all clauses the semantics are equivalent to a join operation: The properties of the triggering event or events are available in the `select` clause and all other clauses.

The *window_or_table_name* in the `from` clause is the name of the named window or table to select rows from. The `as` keyword is also available to assign a stream name to the table or named window. The `as` keyword is helpful in conjunction with wildcard in the `select` clause to select rows via the syntax `select streamname.*`.

The optional `where` clause contains a *criteria_expression* that correlates the arriving (triggering) event to the rows to be considered from the table or named window. The *criteria_expression* may also simply filter for rows to be considered by the statement.

The `group by` clause, the `having` clause and the `order by` clause are all optional and work as described in earlier chapters.

Statements that use tables and named windows work the same. The examples herein use the `OrdersNamedWindow` named window and the `SecuritySummaryTable` table to provide examples for each.

The sample statement below outputs, when a trigger event arrives, the count of all rows held by the `SecuritySummaryTable` table:

```
on QueryEvent select count(*) from SecuritySummaryTable
```

This sample statement outputs the total volume per symbol ordered by symbol ascending and only non-zero volumes of all rows held by the `OrdersNamedWindow` named window:

```
on QueryEvent  
select symbol, sum(volume) from OrdersNamedWindow  
group by symbol having volume > 0 order by symbol
```


When using wildcard (*) to select from streams in an on-select clause, each stream, that is the triggering stream and the selected-upon table or named window, are selected, similar to a join. Therefore your wildcard select returns two columns: the triggering event and the selection result row, for each row.

```
on QueryEvent as queryEvent
select * from OrdersNamedWindow as win
```

The statement above returns a `queryEvent` column and a `win` column for each event. If only a single stream's event is desired in the result, use `select win.*` instead.

Upon arrival of a `QueryEvent` event, this statement selects all rows in the `OrdersNamedWindow` named window:

```
on QueryEvent select win.* from OrdersNamedWindow as win
```

The runtime executes the statement on arrival of a triggering event, in this case a `QueryEvent`. It posts the statement results to any listeners to the statement, in a single invocation, as the new data array.

The `where` clause filters and correlates rows in the table or named window with the triggering event, as shown next:

```
on QueryEvent(volume>0) as query
select query.symbol, query.volume, win.symbol from OrdersNamedWindow as win
where win.symbol = query.symbol
```

Upon arrival of a `QueryEvent`, if that event has a value for the `volume` property that is greater than zero, the runtime executes the statement. The statement considers all events currently held by the `OrdersNamedWindow` that match the `symbol` property value of the triggering `QueryEvent` event.

6.4.1. Notes on On-Select With Named Windows

For correlated statements that correlate triggering events with rows held by a named window, the runtime internally creates efficient indexes to enable high performance querying of rows. It analyzes the `where` clause to build one or more indexes for fast lookup in the named window based on the properties of the triggering event.

To trigger an on-select when an update to the selected named window occurs or when the triggering event is the same event that is being inserted into the named window, specify the named window name as the event type.

The next statement fires the select for every change to the named window `OrdersNamedWindow`:

```
on OrdersNamedWindow as trig
select onw.symbol, sum(onw.volume)
from OrdersNamedWindow as onw
where onw.symbol = trig.symbol
```

For named windows, the `iterator` of the `EPStatement` object representing the `on select` clause returns the last batch of selected events in response to the last triggering event, or null if the last triggering event did not select any rows.

6.4.2. Notes on On-Select With Tables

For tables, the `iterator` of the `EPStatement` object representing the `on select` clause returns no events.

For correlated statements that correlate triggering events with rows held by a table, the runtime utilizes either primary key columns or secondary explicitly-created indexes to enable high performance querying of rows, based on an analysis of the `where` clause.

6.4.3. `on-select` Compared to Join

The similarities and differences between an `on select` clause and a regular or outer join (and not unidirectional) are as follows:

1. A join is evaluated when any of the streams participating in the join have new events (insert stream) or events leaving data windows (remove stream). A join is therefore bi-directional or multi-directional. However, the `on select` statement has one triggering event or pattern that causes the statement to be evaluated and is thus uni-directional.
2. The query within the `on select` statement is not continuous: It executes only when a triggering event or pattern occurs. Aggregation and groups are computed anew considering the contents of the table or named window at the time the triggering event arrives.

`on-select` and the unidirectional join can be compared as follows.

`on-select`, `on-merge`, `on-insert`, `on-delete`, `on-update` and `on-select-and-delete` operate only on named windows or tables. Unidirectional joins however can operate on any stream. If the unidirectional join is between a single named window or table and a triggering event or pattern and that triggering event or pattern is marked unidirectional, the unidirectional join is equivalent to `on-select`.

A unidirectional join does not execute under a named window context partition lock and instead is a consumer relationship to the named window.

6.5. Triggered Select+Delete: The `On Select Delete` Clause

The `on select delete` clause performs a one-time, non-continuous query on a table or named window every time a triggering event arrives or a triggering pattern matches, similar to `on-select` as described in the previous section. In addition, any selected rows are also deleted.

The syntax for the `on select delete` clause is as follows:

```
on trigger
select [and] delete select_list...
... (please see on-select for insert into, from, group by, having, order
by)...
```

The syntax follows the syntax of `on-select` as described earlier. The `select` clause follows the optional `and` keyword and the `delete` keyword. The `from`-clause can list either a table or a named window.

The example statement below selects and deletes all rows from `OrdersNamedWindow` named window when a `QueryEvent` arrives:

```
on QueryEvent select and delete window(win.*) as rows from OrdersNamedWindow
as win
```

The sample EPL above also shows the use of the `window` aggregation function. It specifies the `window` aggregation function to instruct the runtime to output a single event, regardless of the number of rows in the named window, and that contains a column `rows` that contains a collection of the selected event's underlying objects.



Note

`On Select Delete` deletes all rows that match the `where`-clause. When there is no `where`-clause it deletes all rows regardless of what the output looks like. The `having`-clause is relevant to output only and does not narrow down the rows that are deleted.

6.6. Updating Data: The `on Update` Clause

An `on update` clause updates rows held by a table or named window. The clause can be used to update all rows, or only rows that match certain criteria, or rows that correlate with an arriving event or a pattern of arriving events.

For updating a table or named window and for simultaneously checking if the updated row exists or for atomic update-insert operation on a named window or table, consider using `on-merge` as described in [Section 6.8, "Triggered Upsert Using the On-Merge Clause"](#). `On-merge` is similar to the SQL `merge` clause and provides what is known as an "Upsert" operation: Update existing

events or if no existing event(s) are found then insert a new event, all in one atomic operation provided by a single statement.

The syntax for the `on update` clause is as follows:

```
on event_type[(filter_criteria)] [as stream_name]
update window_or_table_name [as stream_name]
set mutation_expression [, mutation_expression [...]]
[where criteria_expression]
```

The `event_type` is the name of the type of events that trigger an update of rows in a named window. It is optionally followed by `filter_criteria` which are filter expressions to apply to arriving events. The optional `as` keyword can be used to assign a name for use in expressions and the `where` clause. Patterns and named windows can also be specified in the `on` clause.

The `window_or_table_name` is the name of the table or named window to update rows. The `as` keyword is also available to assign a name to the named window or table.

After the `set` keyword follows a list of comma-separated `mutation_expression` expressions. A mutation expression is any valid EPL expression and including the below. Subqueries may be part of expressions however aggregation functions and the `prev` or `prior` function may not be used in expressions.

The below table shows some typical mutation expressions:

Table 6.1. Mutation Expressions in Update and Merge

Description	Syntax and Examples
Assignment	<pre>property_name = value_expression</pre> <pre>price = 10, side = 'BUY'</pre>
Array Element Assignment	<pre>arrayproperty_name[array_index_expression] = value_expression</pre> <pre>values[position] = 10</pre>
Event Method Invocation (not available for tables)	<pre>alias_or_windowname.methodname(...)</pre> <pre>orderWindow.clear()</pre>

Description	Syntax and Examples
Property Method Invocation	<pre data-bbox="890 300 1353 353"><i>property_name.methodname(...)</i></pre> <pre data-bbox="890 421 1149 452">accountMap.clear()</pre>
Any Expression, For Example: User-Defined Function Call	<pre data-bbox="890 517 1168 548"><i>functionname(...)</i></pre> <pre data-bbox="890 638 1248 669">clearQuantities(orderRow)</pre>

The optional `where` clause contains a *criteria_expression* that correlates the arriving (triggering) event to the rows to be updated in the table or named window. The *criteria_expression* may also simply filter for rows to be updated.

Statements that use tables and named windows work the same. We use the term property and column interchangeably. The examples herein use the `OrdersNamedWindow` named window and the `SecuritySummaryTable` table to provide examples for each. Let's look at a couple of examples.

In the simplest form, this statement updates all rows in the named window `OrdersNamedWindow` when any `UpdateOrderEvent` event arrives, setting the price property to zero for all rows currently held by the named window:

```
on UpdateOrderEvent update OrdersNamedWindow set price = 0
```

This example demonstrates the use of a `where` clause and updates the `SecuritySummaryTable` table. Upon arrival of a triggering `ResetEvent` it updates the `active` column value to false for all table rows that have an `active` column value of true:

```
on ResetEvent update SecuritySummaryTable set active = false where active = true
```

The next example shows a more complete use of the syntax, and correlates the triggering event with rows held by the `OrdersNamedWindow` named window:

```
on NewOrderEvent(volume>0) as myNewOrders
update OrdersNamedWindow as myNamedWindow
set price = myNewOrders.price
where myNamedWindow.symbol = myNewOrders.symbol
```

In the above sample statement, only if a `NewOrderEvent` event with a volume greater than zero arrives does the statement trigger. Upon triggering, all rows in the named window that have the same value for the symbol property as the triggering `NewOrderEvent` event are then updated (their price property is set to that of the arriving event). The statement also showcases the `as` keyword to assign a name for use in the `where` expression.

Your application can subscribe a listener to your `on update` statements to determine update events. The statement post any rows that are updated to all listeners attached to the statement as new data, and the events prior to the update as old data.

The following example shows the use of tags and a pattern. It sets the price value of orders to that of either a `FlushOrderEvent` or `OrderUpdateEvent` depending on which arrived:

```
on pattern [every ord=OrderUpdateEvent(volume>0) or every flush=FlushOrderEvent]
update OrdersNamedWindow as win
set price = case when ord.price is null then flush.price else ord.price end
where ord.id = win.id or flush.id = win.id
```

When updating indexed properties use the syntax `propertyName[index] = value` with the index value being an integer number. When updating mapped properties use the syntax `propertyName(key) = value` with the key being a string value.

The runtime executes assignments in the order they are listed. When performing multiple assignments, the runtime takes the most recent column value according to the last assignment, if any. To instruct the runtime to use the initial value before update, prefix the column name with the literal `initial`. The `initial` prefix is only available for use with named windows and not for use with tables.

The following statement illustrates:

```
on UpdateEvent as upd
update MyWindow as win
set field_a = 1,
   field_b = win.field_a, // assigns the value 1
   field_c = initial.field_a // assigns the field_a original value before update
```

The next example assumes that your application provides a user-defined function `copyFields` that receives 3 parameters: The update event, the new row and the initial state before-update row.

```
on UpdateEvent as upd update MyWindow as win set copyFields(win, upd, initial)
```

You may invoke a method on a value object, for those properties that hold value objects, as follows:

```
on UpdateEvent update MyWindow as win set someproperty.clear()
```

For named windows only, you may also invoke a method on the named window event type.

The following example assumes that your event type provides a method by name `populateFrom` that receives the update event as a parameter:

```
on UpdateEvent as upd update MyWindow as win set win.populateFrom(upd)
```

The following restrictions apply:

1. Each property to be updated via assignment must be writable. For tables, all columns are always writable.
2. For underlying event representations that are Java objects, a event object class must implement the `java.io.Serializable` interface as discussed in [Section 5.20.1, “Immutability and Updates”](#) and must provide setter methods for updated properties.
3. When using an XML underlying event type, event properties in the XML document representation are not available for update.
4. Nested properties are not supported for update. Variant streams may also not be updated.

6.6.1. Notes on On-Update With Named Windows

Statements that reference the named window receive the new event in the insert stream and the event prior to the update in the remove stream.

For correlated statements (as above) that correlate triggering events with events held by a named window, the runtime internally creates efficient indexes to enable high performance update of events.

The `iterator` of the `EPStatement` object representing the `on update` clause does not return any rows.

6.6.2. Notes on On-Update With Tables

On-Update may not update primary key columns.

For correlated statements that correlate triggering events with rows held by a table, the runtime utilizes either primary key columns or secondary explicitly-created indexes to enable high performance querying of rows, based on an analysis of the `where` clause.

The `iterator` of the `EPStatement` object representing the `on update` clause does not return any rows.

6.7. Deleting Data: The `On Delete` Clause

An `on delete` clause removes rows from a named window or table. The clause can be used to remove all rows, or only rows that match certain criteria, or rows that correlate with an arriving event or a pattern of arriving events.

The syntax for the `on delete` clause is as follows:

```
on event_type[(filter_criteria)] [as stream_name]
delete from window_or_table_name [as stream_name]
[where criteria_expression]
```

The `event_type` is the name of the type of events that trigger removal from the table or named window. It is optionally followed by `filter_criteria` which are filter expressions to apply to arriving events. The optional `as` keyword can be used to assign a name for use in the `where` clause. Patterns and named windows can also be specified in the `on` clause as described in the next section.

The `window_or_table_name` is the name of the named window or table to delete rows from. The `as` keyword is also available to assign a name to the table or named window.

The optional `where` clause contains a `criteria_expression` that correlates the arriving (triggering) event to the rows to be removed. The `criteria_expression` may also simply filter for rows without correlating.

On-delete can be used against tables and named windows. The examples herein use the `OrdersNamedWindow` named window and the `SecuritySummaryTable` table to provide examples for each.

In the simplest form, this statement deletes all rows from the `SecuritySummaryTable` table when any `ClearEvent` arrives:

```
on ClearEvent delete from SecuritySummaryTable
```

The next example shows a more complete use of the syntax, and correlates the triggering event with events held by the `OrdersNamedWindow` named window:

```
on NewOrderEvent(volume>0) as myNewOrders
delete from OrdersNamedWindow as myNamedWindow
where myNamedWindow.symbol = myNewOrders.symbol
```

In the above sample statement, only if a `NewOrderEvent` event with a volume greater than zero arrives does the statement trigger. Upon triggering, all rows in the named window that have the same value for the `symbol` property as the triggering `NewOrderEvent` event are removed. The statement also showcases the `as` keyword to assign a name for use in the `where` expression.

6.7.1. Using Patterns in the `On-Delete` Clause

By means of patterns the `on delete` clause and `on select` clause (described below) can look for more complex conditions to occur, possibly involving multiple events or the passing of time. The syntax for `on delete` with a pattern expression is show next:

```
on pattern [pattern_expression] [as stream_name]
delete from window_or_table_name [as stream_name]
[where criteria_expression]
```

The *pattern_expression* is any pattern that matches zero or more arriving events. Tags can be used to name events in the pattern and can occur in the optional `where` clause to correlate to events to be removed from a named window.

In the next example the triggering pattern fires every 10 seconds. The effect is that every 10 seconds the statement removes all rows from the `SecuritySummaryTable` table:

```
on pattern [every timer:interval(10 sec)] delete from SecuritySummaryTable
```

The following example shows the use of tags in a pattern and executes against the `OrdersNamedWindow` named window instead:

```
on pattern [every ord=OrderEvent(volume>0) or every flush=FlushOrderEvent]
delete from OrdersNamedWindow as win
where ord.id = win.id or flush.id = win.id
```

The pattern above looks for `OrderEvent` events with a volume value greater then zero and tags such events as 'ord'. The pattern also looks for `FlushOrderEvent` events and tags such events as 'flush'. The `where` clause deletes from the `OrdersNamedWindow` named window any rows that match in the value of the 'id' property either of the arriving events.

6.7.2. Silent Delete With Named Windows

When using `on-delete` with named windows you may specify `@hint('silent_delete')` to suppress output of the deleted events to listeners of the statement that declares the named window. This is useful when listeners need to receive only expired events and not explicitly deleted events.

The `@hint('silent_delete')` instruction for use with `on-delete` removes the dispatches for all listeners of the statement that declares the named window in respect to the deleted events, thereby listeners of the statement that declares the named window don't receive the deleted events.

6.7.3. Notes on On-Delete With Named Windows

Statements that reference the named window receive the deleted event as part of the remove stream.

For correlated statements (as above) that correlate triggering events with rows held by a named window, the runtime internally creates efficient indexes to enable high performance deletion of rows.

The `iterator` of the `EPStatement` object representing the `on delete` clause does not return any rows.

6.7.4. Notes on On-Update With Tables

For correlated statements that correlate triggering events with rows held by a table, the runtime utilizes either primary key columns or secondary explicitly-created indexes to enable high performance querying of rows, based on an analysis of the `where` clause.

The `iterator` of the `EPStatement` object representing the `on delete` clause does not return any rows.

6.8. Triggered Upsert Using the `On-Merge` Clause

The `on merge` clause is similar to the SQL `merge` clause. It provides what is known as an "Upsert" operation: Update existing rows or if no existing row(s) are found then insert a new row, all in an atomic operation provided by a single statement.

The syntax for the `on merge` clause has two forms.

6.8.1. `On-Merge` Insert

Use `on merge with insert` to inserts one row. This syntax is:

```
on event_type[(filter_criteria)] [as stream_name]
merge [into] window_or_table_name [as stream_name]
insert [ (property_name [, property_name] [...]) ] select select_expression
[, select_expression[,...]]
```

The `event_type` is the name of the type of events that trigger the merge. It is optionally followed by `filter_criteria` which are filter expressions to apply to arriving events. The optional `as` keyword can be used to assign a name for use in the `where` clause. Patterns and named windows can also be specified in the `on` clause as described in prior sections.

The `window_or_table_name` is the name of the named window to insert a row into. The `as` keyword is also available to assign a name to the named window or table.

It follows the `insert` keyword and optionally the `into` keyword. Optionally you can provide a list of property names in parenthesis.

It follows the required `select` keyword and one or more select-clause expressions. The wildcard (*) is available in the select-clause as well.

On-merge can be used with tables and named windows. This examples uses the `SecuritySummaryTable` table that was defined earlier.

This example statement inserts a row into the `SecuritySummaryTable` table when a `SecuritySummary` arrives:

```
on SecuritySummary merge SecuritySummaryTable insert select ipAddress, userId
```

The following EPL is equivalent to the statement above and uses the upsert syntax instead, described next.

```
on SecuritySummary merge SecuritySummaryTable where 1=2 when not matched then
insert select ipAddress, userId
```

6.8.2. On-Merge Update, Delete, Select (Upsert)

The syntax for `on merge` for update-insert (upsert) is as follows:

```
on event_type[(filter_criteria)] [as stream_name]
merge [into] window_or_table_name [as stream_name]
[where criteria_expression]
when [not] matched [and search_condition]
then [
insert [into streamname]
    [(property_name [, property_name] [,...]) ]
    select select_expression [, select_expression[,...]]
    [where filter_expression]
|
update set mutation_expression [, mutation_expression [,...]]
    [where filter_expression]
|
delete
    [where filter_expression]
]
[then [insert|update|delete]] [,then ...]
[when ... then ... [...]]
```

The `event_type` is the name of the type of events that trigger the merge. It is optionally followed by `filter_criteria` which are filter expressions to apply to arriving events. The optional `as` keyword can be used to assign a name for use in the `where` clause. Patterns and named windows can also be specified in the `on` clause as described in prior sections.

The *window_or_table_name* is the name of the named window or table to insert, update or delete rows. The `as` keyword is also available to assign a name to the named window or table.

The optional `where` clause contains a *criteria_expression* that correlates the arriving (triggering) event to the rows to be considered of the table or named window. We recommend specifying a criteria expression that is as specific as possible.

Following the `where` clause is one or more `when matched` or `when not matched` clauses in any order. Each may have an additional search condition associated.

After each `when [not] matched` follow one or more `then` clauses that each contains the action to take: Either an `insert`, `update` or `delete` keyword.

After `when not matched` only `insert` action(s) are available. After `when matched` any `insert`, `update` and `delete` action(s) are available.

After `insert` follows, optionally, the `into` keyword followed by the stream name or named window to insert-into. If no `into` and stream name is specified, the insert applies to the current table or named window. It follows an optional list of columns inserted. It follows the required `select` keyword and one or more select-clause expressions. The wildcard (*) is available in the select-clause as well. It follows an optional where-clause that may return Boolean false to indicate that the action should not be applied.

After `update` follows the `set` keyword and one or more mutation expressions. For mutation expressions please see [Section 6.6, "Updating Data: The On Update Clause"](#). It follows an optional where-clause that may return Boolean false to indicate that the action should not be applied.

After `delete` follows an optional where-clause that may return Boolean false to indicate that the action should not be applied.

When according to the where-clause *criteria_expression* the runtime finds no rows in the named window or table that match the condition, the runtime evaluates each *when not matched* clause. If the optional search condition returns true or no search condition was provided then the runtime performs all of the actions listed after each `then`.

When according to the where-clause *criteria_expression* the runtime finds one or more rows in the named window or table that match the condition, the runtime evaluates each *when matched* clause. If the optional search condition returns true or no search condition was provided the runtime performs all of the actions listed after each `then`.

The runtime executes `when matched` and `when not matched` in the order specified. If the optional search condition returns true or no search condition was specified then the runtime takes the associated action (or multiple actions for multiple `then` keywords). When the block of actions completed the runtime proceeds to the next matching row, if any. After completing all matching rows the runtime continues to the next triggering event if any.

On-merge can be used with tables and named windows. The examples herein declare a `ProductWindow` named window and also use the `SecuritySummaryTable` table to provide examples for each.

This example statement updates the `SecuritySummaryTable` table when a `ResetEvent` arrives setting the `active` column's value to `false`:

```
on ResetEvent merge SecuritySummaryTable
when matched and active = true then update set active = false
```

A longer example utilizing a named window follows. You start by declaring a schema that provides a product id and that holds a total price:

```
create schema ProductTotalRec as (productId string, totalPrice double)
```

We create a named window that holds a row for each unique product:

```
create window ProductWindow#unique(productId) as ProductTotalRec
```

The events for this example are order events that hold an order id, product id, price, quantity and deleted-flag declared by the next schema:

```
create schema OrderEvent as (orderId string, productId string, price double,
    quantity int, deletedFlag boolean)
```

The following statement utilizes `on-merge` to total up the price for each product based on arriving order events:

```
on OrderEvent oe
merge ProductWindow pw
where pw.productId = oe.productId
when matched
    then update set totalPrice = totalPrice + oe.price
when not matched
    then insert select productId, price as totalPrice
```

In the above example, when an order event arrives, the runtime looks up in the product named window the matching row or rows for the same product id as the arriving event. In this example the runtime always finds no row or one row as the product named window is declared with a unique data window based on product id. If the runtime finds a row in the named window, it performs the update action adding up the price as defined under `when matched`. If the runtime does not find a row in the named window it performs the insert action as defined under `when not matched`, inserting a new row.

The `insert` keyword may be followed by a list of columns as shown in this EPL snippet:

```
// equivalent to the insert shown in the last 2 lines in above EPL
...when not matched
    then insert(productId, totalPrice) select productId, price
```

The second example demonstrates the use of a select-clause with wildcard, a search condition and the `delete` keyword. It creates a named window that holds order events and employs `on-merge` to insert order events for which no corresponding order id was found, update quantity to the quantity provided by the last arriving event and delete order events that are marked as deleted:

```
create window OrderWindow#keepall as OrderEvent
```

```
on OrderEvent oe
  merge OrderWindow pw
  where pw.orderId = oe.orderId
  when not matched
    then insert select *
  when matched and oe.deletedFlag=true
    then delete
  when matched
    then update set pw.quantity = oe.quantity, pw.price = oe.price
```

In the above example the `oe.deletedFlag=true` search condition instructs the runtime to take the delete action only if the deleted-flag is set.

You may specify multiple actions by providing multiple `then` keywords each followed by an action. Each of the `insert`, `update` and `delete` actions can itself have a where-clause as well. If a where-clause exists for an action, the runtime evaluates the where-clause and applies the action only if the where-clause returns Boolean true.

This example specifies two update actions and uses the where-clause to trigger different update behavior depending on whether the order event price is less than zero. This example assumes that the host application defined a `clearorder` user-defined function, to demonstrate calling a user-defined function as part of the update mutation expressions:

```
on OrderEvent oe
  merge OrderWindow pw
  where pw.orderId = oe.orderId
  when matched
    then update set clearorder(pw) where oe.price < 0
```

```
then update set pw.quantity = oe.quantity, pw.price = oe.price where oe.price
>= 0
```

To insert events into another stream and not the named window, use `insert into streamname`.

In the next example each `matched-clause` contains two actions, one action to insert a log event and a second action to insert, delete or update:

```
on OrderEvent oe
  merge OrderWindow pw
  where pw.orderId = oe.orderId
  when not matched
    then insert into LogEvent select 'this is an insert' as name
    then insert select *
  when matched and oe.deletedFlag=true
    then insert into LogEvent select 'this is a delete' as name
    then delete
  when matched
    then insert into LogEvent select 'this is a update' as name
    then update set pw.quantity = oe.quantity, pw.price = oe.price
```

While the runtime evaluates and executes all actions listed under the same `matched-clause` in order, you may not rely on updated field values of an earlier action to trigger the `where-clause` of a later action. Similarly you should avoid simultaneous update and delete actions for the same match: the runtime does not guarantee whether the update or the delete take final affect.

Your application can subscribe a listener to `on merge` statements to determine inserted, updated and removed events. Statements post any events that are inserted to, updated or deleted from a named window to all listeners attached to the statement as new data and removed data.

The following limitations apply to `on-merge` statements:

1. Aggregation functions and the `prev` and `prior` operators are not available in conditions and the `select-clause`.

6.8.3. Notes on On-Merge With Named Windows

Statements that reference the named window receive an insert and remove stream representing the insertions, changes and deletions to named window rows.

For correlated statements (as above) that correlate triggering events with rows held by a named window, the runtime internally creates efficient indexes to enable high performance update and removal of events especially from named windows that hold large numbers of events.

The `iterator` of the `EPStatement` object representing the `on merge` clause does not return any rows.

6.8.4. Notes on On-Merge With Tables

On-Merge may not update primary key columns.

For correlated statements that correlate triggering events with rows held by a table, the runtime utilizes either primary key columns or secondary explicitly-created indexes to enable high performance querying of rows, based on an analysis of the `where` clause.

The `iterator` of the `EPStatement` object representing the `on merge` clause does not return any rows.

6.9. Explicitly Indexing Named Windows and Tables

You may explicitly create an index on a table or a named window. The runtime considers explicitly-created as well as implicitly-allocated indexes (named windows only) in query planning and execution of the following types of usages of tables and named windows:

1. Fire-and-forget (on-demand, non-continuous) queries as described in [Section 16.7, “Execute Fire-and-Forget Queries Using EPFireAndForgetService”](#).
2. `On-select`, `on-merge`, `on-update`, `on-delete` and `on-insert`.
3. Subqueries against tables and named windows.
4. For joins (including outer joins) with named windows the runtime considers the filter criteria listed in parenthesis using the syntax

```
name_window_name(filter_criteria)
```

for index access.

5. For joins with tables the runtime considers the primary key columns (if any) as well as any table indexes.

The syntax to create an explicit index on a named window or table is:

```
create [unique] index index_name on window_or_table_name (  
    column_expression [hash|btree|index_type_expression]  
    [, column_expression] [hash|btree|index_type_expression]  
    [...]  
)
```

The optional `unique` keyword indicates that the column expressions uniquely identify rows. If `unique` is not specified the index allows duplicate rows.

The `index_name` is the name assigned to the index. The name uniquely identifies the index and is used in compiler query plan logging.

The `window_or_table_name` is the name of an existing table or named window. If the named window or table has rows already, the runtime builds an index for the rows.

After the table name or named window name follows a list of pairs of *column_expression* column expression and index type.

A column expression is the expression that is subject to index building. Typically a column expression is an event property or column name. For special application-provided or spatial indexes other column expressions are allowed and such indexes may allow multiple columns to be combined. Further detail on key expressions can be found at [Section 5.2.13, “Composite Keys and Array Values as Keys”](#).

Following each column expression you may specify the index type by providing the optional `hash` or `btree` keywords or an *index_type_expression*. For special application-provided or spatial indexes please use the *index_type_expression*.

If you specify no keyword or the `hash` keyword for a property, the index will be a hash-based (unsorted) index in respect to that property. If you specify the `btree` keyword, the index will be a binary-tree-based sorted index in respect to that property. You may combine `hash` and `btree` properties for the same index. Specify `btree` for a property if you expect to perform numerical or string comparison using relational operators (`<`, `>`, `>=`, `<=`), the `between` or the `in` keyword for ranges and inverted ranges. Use `hash` (the default) instead of `btree` if you expect to perform exact comparison using `=`.

For `hash` and `btree` index types the column expression must be an event property or column name. Expressions such as `col+1` are not currently supported for `hash` and `btree` index types but are supported for other index types.

The `create table` syntax is the same for tables and named windows. The examples herein create a new `UserProfileWindow` named `window` and also use the `SecuritySummaryTable` table.

This sample EPL creates a non-unique index on the `active` column of table `SecuritySummaryTable`:

```
create index MyIndex on SecuritySummaryTable(active)
```

We list a few example statements next that create a named window and create a single index:

```
// create a named window
create window UserProfileWindow#time(1 hour) select * from UserProfile
```

```
// create a non-unique index (duplicates allowed) for the user id property only
create index UserProfileIndex on UserProfileWindow(userId)
```

Next, execute a fire-and-forget query as shown below; this sample uses the prepared version to demonstrate:

```
String query = "select * from UserProfileWindow where userId='Joe'";
EPFireAndForgetPreparedQuery prepared =
    epRuntime.getFireAndForgetService().prepareQuery(query);
// query performance excellent in the face of large number of rows
EPFireAndForgetQueryResult result = prepared.execute();
// ...later ...
prepared.execute(); // execute a second time
```

A unique index is generally preferable over non-unique indexes. For named windows, if your data window declares a unique data window (`#unique`, `#firstunique`, including intersections and grouped unique data windows) it is not necessary to create a unique index unless index sharing is enabled, since the compiler and runtime considers the unique data window declaration in query planning.

The runtime enforces uniqueness (e.g. unique constraint) for unique indexes. If your application inserts a duplicate row the runtime raises a runtime exception when processing the statement and discards the row. The default error handler logs such an exception and continues.

For example, if the user id together with the profile id uniquely identifies an entry into the named window, your application can create a unique index as shown below:

```
// create a unique index on user id and profile id
create unique index UserProfileIndex on UserProfileWindow(userId, profileId)
```

By default, the runtime builds a hash code -based index useful for direct comparison via equals (=). Filter expressions that look for ranges or use `in`, `between` do not benefit from the hash-based index and should use the `btree` keyword. For direct comparison via equals (=) then compiler does not use `btree` indexes.

The next example creates a composite index over two fields `symbol` and `buyPrice`:

```
// create a named window
create window TickEventWindow#time(1 hour) as (symbol string, buyPrice double)
```

```
// create a non-unique index
create index idx1 on TickEventWindow(symbol hash, buyPrice btree)
```

A sample fire-and-forget query is shown below (this time the API calls are not shown):

```
// query performance excellent in the face of large number of rows
```

```
select * from TickEventWindow where symbol='GE' and buyPrice between 10 and 20
```



Note

A table that does not declare one or more primary key columns cannot have a secondary index, as the table holds a maximum of one row.

6.10. Using Fire-and-Forget Queries With Named Windows and Tables

Fire-and-Forget queries can be run against both tables and named windows. We use the term *property* and *column* interchangeably.

For selecting from named windows and tables, please see the examples in [Section 16.7, “Execute Fire-and-Forget Queries Using EPFireAndForgetService”](#).

For data manipulation (insert, update, delete) queries, the fire-and-forget query API returns the inserted, updated or deleted rows when the query executes against a named window.

6.10.1. Inserting Data

Your application can insert rows into a table or named window using fire-and-forget (on-demand, non-continuous) queries as described in [Section 16.7, “Execute Fire-and-Forget Queries Using EPFireAndForgetService”](#).

The compiler allows the standard SQL syntax and `values` keyword and also supports using `select` to provide values.

The syntax using the `values` keyword is:

```
insert into window_or_table_name [(property_names)]
values (value_expressions)
```

The syntax using `select` is as follows:

```
insert into window_or_table_name [(property_names)]
select value_expressions
```

The `window_or_table_name` is the name of the table or named window to insert rows into.

After the named window or table name you can optionally provide a comma-separated list of property names.

When providing property names, the order of value expressions in the values list or select clause must match the order of property names specified. Column names provided in the select-clause, if specified, are ignored.

When not providing property names and when specifying the `values` keyword, the order of values must match the order of properties declared for the named window or table. When not providing property names and when specifying the `select`-clause, expressions must name the properties to be inserted into by assigning a column name using the `as` keyword.

The example code snippet inserts a new order row into the `OrdersWindow` named window:

```
String query =
    "insert into OrdersWindow(orderId, symbol, price) values ('001', 'GE', 100)";
runtime.getFireAndForgetService().executeQuery(query);
```

Instead of the `values` keyword you may specify a `select`-clause as this example shows:

```
String query =
    "insert into OrdersWindow(orderId, symbol, price) select '001', 'GE', 100";
runtime.getFireAndForgetService().executeQuery(query);
```

The following EPL inserts the same values as above but specifies property names as part of the `select`-clause expressions:

```
insert into OrdersWindow
select '001' as orderId, 'GE' as symbol, 100 as price
```

The next EPL inserts the same values as above and does not specify property names thereby populating the first 3 properties of the type of the named window:

```
insert into OrdersWindow values ('001', 'GE', 100)
```

6.10.2. Updating Data

Your application can update table and named window rows using fire-and-forget (on-demand, non-continuous) queries as described in [Section 16.7, “Execute Fire-and-Forget Queries Using `EPFireAndForgetService`”](#).

The syntax for the `update` clause is as follows:

```
update window_or_table_name [as stream_name]
set mutation_expression [, mutation_expression [...]]
[where criteria_expression]
```

The `window_or_table_name` is the name of the table or named window to remove rows from. The `as` keyword is also available to assign a name to the table or named window.

After the `set` keyword follows a comma-separated list of mutation expressions. For fire-and-forget queries the following restriction applies: Aggregation functions and the `prev` or `prior` function may not be used in expressions. Mutation expressions are detailed in [Section 6.6, “Updating Data: The On Update Clause”](#).

The optional `where` clause contains a `criteria_expression` that identifies rows to be updated.

The example code snippet updates those rows of the named window that have a negative value for volume:

```
String query = "update OrdersNamedWindow set volume = 0 where volumne = 0";
runtime.getFireAndForgetService().executeQuery(query);
```

To instruct the runtime to use the initial property value before update, prefix the property name with the literal `initial`.

6.10.3. Deleting Data

Your application can delete rows from a named window or table using fire-and-forget (on-demand, non-continuous) queries as described in [Section 16.7, “Execute Fire-and-Forget Queries Using EPFireAndForgetService”](#).

The syntax for the `delete` clause is as follows:

```
delete from window_or_table_name [as stream_name]
[where criteria_expression]
```

The `window_or_table_name` is the name of the named window or table to delete rows from. The `as` keyword is also available to assign a name to the named window or table.

The optional `where` clause contains a `criteria_expression` that identifies rows to be removed from the named window or table.

The example code snippet deletes from a named window all rows that have a negative value for volume:

```
String query = "delete from OrdersNamedWindow where volume <= 0";
runtime.getFireAndForgetService().executeQuery(query);
```

6.11. Events as Property

Columns in a named window and table may also hold an event or multiple events. More information on the `insert into` clause providing event columns is in [Section 5.10.5, “Event as a Property”](#).

A sample declaration for a named window and a table is:

```
create schema InnerData (value string)
```

```
create table ContainerTable (innerdata InnerData)
```

```
create window ContainerWindow#time(30) as (innerdataArray InnerData[]) // array  
of events
```

The second sample creates a named window that specifies two columns: A column that holds an `OrderEvent`, and a column by name `priceTotal`. A matching `insert into` statement is also part of the sample:

```
create window OrdersWindow#time(30) as select this, price as priceTotal from  
OrderEvent
```

```
insert into OrdersWindow select order, price * unit as priceTotal  
from ServiceOrderEvent as order
```

Note that the `this` property must exist on the event and must return the event class itself (JavaBean events only). The property type of the additional `priceTotal` column is the property type of the existing `price` property.

Chapter 7. EPL Reference: Patterns

7.1. Event Pattern Overview

Event patterns match when an event or multiple events occur that match the pattern's definition. Patterns can also be time-based.

Pattern expressions consist of pattern atoms and pattern operators:

1. Pattern *atoms* are the basic building blocks of patterns. Atoms are filter expressions, observers for time-based events and plug-in custom observers that observe external events not under the control of the runtime.
2. Pattern *operators* control expression lifecycle and combine atoms logically or temporally.

The below table outlines the different pattern atoms available:

Table 7.1. Pattern Atoms

Pattern Atom	Example
Filter expressions specify an event to look for.	<code>StockTick(symbol='ABC', price > 100)</code>
Time-based event observers specify time intervals or time schedules.	<code>timer:interval(10 seconds)</code> <code>timer:at(*, 16, *, *, *)</code> <code>timer:schedule(...)</code>
Custom plug-in observers can add pattern language syntax for observing application-specific events.	<code>myapplication:myobserver("http://someResource")</code>

There are 4 types of pattern operators:

1. Operators that control pattern sub-expression repetition: `every`, `every-distinct`, `[num]` and `until`
2. Logical operators: `and`, `or`, `not`
3. Temporal operators that operate on event order: `->` (followed-by)
4. Guards are where-conditions that control the lifecycle of subexpressions. Examples are `timer:within`, `timer:withinmax` and `while-expression`. Custom plug-in guards may also be used.

Pattern expressions can be nested arbitrarily deep by including the nested expression(s) in () round parenthesis.

Underlying the pattern matching is a hierarchical finite state machine and behavior tree that allocates, transitions and destroys branch and leaf nodes of state based on arriving events and based on time advancing. A single event or advancing time may cause a reaction in multiple parts of your active pattern state. Patterns are stateful as the runtime maintains pattern state. There is a walkthrough of how a sample pattern behaves in [Section 7.7, “Event Pattern Walkthrough”](#).

7.2. How to Use Patterns

7.2.1. Pattern Syntax

This is an example pattern expression that matches on every `ServiceMeasurement` events in which the value of the `latency` event property is over 20 seconds, and on every `ServiceMeasurement` event in which the `success` property is false. Either one or the other condition must be true for this pattern to match.

```
every spike=ServiceMeasurement(latency>20000)
or every error=ServiceMeasurement(success=false)
```

In the example above, the pattern expression `or` operator indicates that the pattern should fire when either of the filter expressions fire. The `every` operator indicates to fire for every matching event and not just the first matching event. The left hand of the `or` operator filters for events with a high latency value. The right hand of the `or` operator filters for events with error status. Filter expressions are explained in [Section 7.4, “Filter Expressions in Patterns”](#).

The example above assigned the tags `spike` and `error` to the events in the pattern. The tags are important since the runtime only places tagged events into the output event(s) that a pattern generates, and that the runtime supplies to listeners of the pattern statement. The tags can further be selected in the `select`-clause of a statement as discussed in [Section 5.4.2, “Pattern-Based Event Streams”](#).

Patterns can also contain comments within the pattern as outlined in [Section 5.2.2, “Using Comments”](#).

7.2.2. Patterns in EPL

A pattern may appear anywhere in the `from` clause of a statement including joins and subqueries. Patterns may therefore be used in combination with the `where` clause, `group by` clause, `having` clause as well as output rate limiting and `insert into`.

In addition, you may use data window with a pattern. A data window declared for a pattern only serves to retain pattern matches, for use in joins or for iterating via the iterator API. A data window declared onto a pattern does not limit, cancel, remove or delete intermediate pattern matches of the pattern when pattern matches leave the data window.

This example statement demonstrates the idea by selecting a total price per customer over pairs of events (ServiceOrder followed by a ProductOrder event for the same customer id within 1 minute), occurring in the last 2 hours, in which the sum of price is greater than 100, and using a where clause to filter on name:

```
select a.custId, sum(a.price + b.price)
from pattern [every a=ServiceOrder ->
    b=ProductOrder(custId = a.custId) where timer:within(1 min)]#time(2 hour)
where a.name in ('Repair', b.name)
group by a.custId
having sum(a.price + b.price) > 100
```

7.2.3. Subscribing to Pattern Events

When a pattern fires it publishes one or more events to any listeners to the pattern statement. The listener interface is the `com.espertech.esper.runtime.client.UpdateListener` interface.

The example below shows an anonymous implementation of the `UpdateListener` interface. The example adds the anonymous listener implementation to the `myPattern` statement created earlier. The listener code simply extracts the underlying event class.

```
myPattern.addListener(new UpdateListener() {
    public void update(EventBean[] newEvents, EventBean[] oldEvents, EPStatement
statement, EPRuntime runtime) {
        ServiceMeasurement spike = (ServiceMeasurement) newEvents[0].get("spike");
        ServiceMeasurement error = (ServiceMeasurement) newEvents[0].get("error");
        ... // either spike or error can be null, depending on which occurred
        ... // add more logic here
    }
});
```

Listeners receive an array of `EventBean` instances in the `newEvents` parameter. There is one `EventBean` instance passed to the listener for each combination of events that matches the pattern expression. At least one `EventBean` instance is always passed to the listener.

The properties of each `EventBean` instance contain the underlying events that caused the pattern to fire, if events have been named in the filter expression via the `name=eventType` syntax. The property name is thus the name supplied in the pattern expression, while the property type is the type of the underlying class, in this example `ServiceMeasurement`.

7.2.4. Pulling Data From Patterns

Data can also be obtained from pattern statements via the `safeIterator()` and `iterator()` methods on `EPStatement` (the pull API) if the pattern had fired at least once and the

`@IterableUnbound` annotation is declared for the statement, then the iterator returns the last event for which it fired. The `hasNext()` method can then be used to determine if the pattern had fired.

```
if (myPattern.iterator().hasNext()) {
    ServiceMeasurement event = (ServiceMeasurement)
    statement.iterator().next().get("alert");
    ... // some more code here to process the event
}
else {
    ... // no matching events at this time
}
```

Further, if a data window is defined onto a pattern, the iterator returns the pattern matches according to the data window expiry policy.

This pattern specifies a length window of 10 elements that retains the last 10 matches of A and B events, for use via iterator or for use in a join or subquery:

```
select * from pattern [every (A or B)]#length(10)
```

7.2.5. Pattern Error Reporting

While the pattern compiler analyzes your pattern and verifies its integrity, it may not detect certain pattern errors that may occur at runtime. Sections of this pattern documentation point out common cases where the pattern runtime will log a runtime error. We recommend turning on the log warning level at project development time to inspect and report on warnings logged. If a statement name is assigned to a statement then the statement name is logged as well.

7.2.6. Suppressing Same-Event Matches

Any given event can contribute to multiple matches.

For example, consider the following pattern:

```
every a=A -> B
```

Given this sequence of events:

A₁ A₂ B₁

When event B₁ arrives the pattern matches for both the combination {A₁, B₁} and the combination {A₂, B₁}. The runtime indicates both matches to the listener or subscriber by delivering an array containing both matches in a single listener or subscriber invocation.

Use the `@SuppressOverlappingMatches` pattern-level annotation to instruct the runtime to discard all but the first match among multiple overlapping matches.

The same example with the pattern-level annotation is:

```
select * from pattern @SuppressOverlappingMatches [every a=A -> b=B]
```

When event B_1 arrives the pattern outputs only the first combination that matches, namely the combination $\{A_1, B_1\}$. The runtime discards the second combination $\{A_2, B_1\}$ that matches as it detects that event B_1 overlaps between the first and the second match.



Note

- The runtime only considers tagged events for detecting overlap.
- Suppression takes place among multiple simultaneously occurring matches as a result of a single event arriving or time advancing.
- Partially completed patterns are not impacted and existing pattern state does not change as a result of suppression.
- Limitation: The annotation cannot be used with patterns in joins.

7.2.7. Discarding Partially Completed Patterns

Partially-completed patterns are incomplete matches that are not yet indicated by the runtime because the complete pattern condition is not satisfied. Any given event can be part of multiple partially-completed patterns.

For example, consider the following pattern:

```
every a=A -> B and C(id=a.id)
```

Given this sequence of events:

$A_1\{\text{id}='id1'\}$ $A_2\{\text{id}='id2'\}$ B_1

According to the sequence above there are no matches. The pattern is partially completed waiting for C events. The combination $\{A_1, B_1\}$ is waiting for a $C\{\text{id}='id1'\}$ event before the pattern match is complete for that combination. The combination $\{A_2, B_1\}$ is waiting for a $C\{\text{id}='id2'\}$ event before the pattern match is complete for that combination.

Assuming event C_1 {id='id1'} arrives the pattern outputs the combination $\{A_1, B_1, C_1\}$. Assuming event C_2 {id='id2'} arrives the pattern outputs the combination $\{A_2, B_1, C_2\}$. Note that event B_1 is part of both partially-completed patterns.

Use the `@DiscardPartialsOnMatch` pattern-level annotation to instruct the runtime that when any matches occur to discard partially completed patterns that overlap in terms of the events that make up the match (or matches if there are multiple matches).

The same example using the `@DiscardPartialsOnMatch` pattern-level annotation is:

```
select * from pattern @DiscardPartialsOnMatch [every a=A -> B and C(id=a.id)]
```

When event C_1 {id='id1'} arrives the pattern outputs the match combination $\{A_1, B_1, C_1\}$. Upon indication of the match the runtime discards all partially-completed patterns that refer to either of the A_1 , B_1 and C_1 events. Since event B_1 is part of a partially-completed pattern waiting for C_2 {id='id2'}, the runtime discards that partially-completed pattern. Therefore when C_2 {id='id2'} arrives the runtime outputs no matches.

When specifying both `@DiscardPartialsOnMatch` and `@SuppressOverlappingMatches` the runtime discards the partially-completed patterns that overlap all matches including suppressed matches.



Note

- The runtime only considers tagged events for detecting overlap.
- Only partially completed patterns are impacted.
- Limitation: The annotation cannot be used with patterns in joins.
- Limitation: Removing partially completed patterns is not an undo operation. There is no reversal in truth-value, i.e. past matches are not retracted or indicated as a remove stream. The `not` operator can change truth value to permanently false. The change in truth-value does not get reversed when a match removes the event that caused the `not` operator to become permanently false.

7.3. Operator Precedence

The operators at the top of this table take precedence over operators lower on the table.

Table 7.2. Pattern Operator Precedence

Precedence	Operator	Description	Example
1	guard postfix	where timer:within and while (expression) (inc.. withinmax and plug-in pattern guard)	MyEvent where timer:within(1 sec) a=MyEvent while (a.price between 1 and 10)
2	unary	every, not, every distinct	every MyEvent timer:interval(5 min) and not MyEvent
3	repeat	[num], until	[5] MyEvent [1..3] MyEvent until MyOtherEvent
4	and	and	every (MyEvent and MyOtherEvent)
5	or	or	every (MyEvent or MyOtherEvent)
6	followed-by	->	every (MyEvent -> MyOtherEvent)

If you are not sure about the precedence, please consider placing parenthesis () around your subexpressions. Parenthesis can also help make expressions easier to read and understand.

The following table outlines sample equivalent expressions, with and without the use of parenthesis for subexpressions.

Table 7.3. Equivalent Pattern Expressions

Expression	Equivalent	Reason
every A or B	(every A) or B	The every operator has higher precedence than the or operator.
every A -> B or C	(every A) -> (B or C)	The or operator has higher precedence than the followed-by operator.

Expression	Equivalent	Reason
<code>A -> B or B -> A</code>	<code>A -> (B or B) -> A</code>	The <code>or</code> operator has higher precedence than the <code>followed-by</code> operator, specify as <code>(A -> B)</code> or <code>(B -> A)</code> instead.
<code>A and B or C</code>	<code>(A and B) or C</code>	The <code>and</code> operator has higher precedence than the <code>or</code> operator.
<code>A -> B until C -> D</code>	<code>A -> (B until C) -> D</code>	The <code>until</code> operator has higher precedence than the <code>followed-by</code> operator.
<code>[5] A or B</code>	<code>([5] A) or B</code>	The <code>[num]</code> repeat operator has higher precedence than the <code>or</code> operator.
<code>every A where timer:within(10)</code>	<code>every (A where timer:within(10))</code>	The <code>where</code> postfix has higher precedence than the <code>every</code> operator.

7.4. Filter Expressions in Patterns

The simplest form of filter is a filter for events of a given type without any conditions on the event property values. This filter matches any event of that type regardless of the event's properties. The example below is such a filter. Note that this event pattern would stop firing as soon as the first `RfidEvent` is encountered.

```
com.mypackage.myevents.RfidEvent
```

To make the event pattern fire for every `RfidEvent` and not just the first event, use the `every` keyword.

```
every com.mypackage.myevents.RfidEvent
```

The example above specifies the fully-qualified Java class name as the event type. Via configuration, the event pattern above can be simplified by using the name that has been defined for the event type.

```
every RfidEvent
```

Interfaces and superclasses are also supported as event types. In the below example `IRfidReadable` is an interface class, and the statement matches any event that implements this interface:

```
every org.myorg.rfid.IRfidReadable
```

The filtering criteria to filter for events with certain event property values are placed within parenthesis after the event type name:

```
RfidEvent(category="Perishable")
```

All expressions can be used in filters, including static method invocations that return a boolean value:

```
RfidEvent(com.mycompany.MyRFIDLib.isInRange(x, y) or (x<0 and y < 0))
```

Filter expressions can be separated via a single comma ','. The comma represents a logical AND between expressions:

```
RfidEvent(zone=1, category=10)
...is equivalent to...
RfidEvent(zone=1 and category=10)
```

For more information on filters please see [Section 5.4.1, "Filter-Based Event Streams"](#). Contained-event selection on filters in patterns is further described in [Section 5.19, "Contained-Event Selection"](#).

Filter criteria can also refer to events matching prior named events in the same expression. Below pattern is an example in which the pattern matches once for every RfidEvent that is preceded by an RfidEvent with the same asset id.

```
every e1=RfidEvent -> e2=RfidEvent(assetId=e1.assetId)
```

The syntax shown above allows filter criteria to reference prior results by specifying the event name tag of the prior event, and the event property name. The tag names in the above example were `e1` and `e2`. This syntax can be used in all filter operators or expressions including ranges and the `in` set-of-values check:

```
every e1=RfidEvent ->
  e2=RfidEvent(MyLib.isInRadius(e1.x, e1.y, x, y) and zone in (1, e1.zone))
```

An arriving event changes the truth value of all expressions that look for the event. Consider the pattern as follows:

```
every (RfidEvent(zone > 1) and RfidEvent(zone < 10))
```

The pattern above is satisfied as soon as only one event with zone in the interval [2, 9] is received.

7.4.1. Filter Expressions and Filter Indexes



Important

A detailed description of how filters become active and are indexed is provided at [Section 2.18.2.2, “Filter Index Pattern Example”](#).

An expression such as `a=A -> B(id=a.id)` (A followed-by B with the same id as A) is not just a state change, in fact the runtime registers new B-filter instances dynamically and in runtime-wide shared filter indexes. This means that while such a pattern seems to be slow if you are sending A-events, the runtime can filter, match or discard B-events very fast as for B-events it only needs to perform a lookup in filter indexes. If you are looking for best performance and don't expect to need filter indexes, or if you compare to another technology that doesn't have the concept of filter indexes, please use match-recognize instead.

The runtime analyzes all filter expressions within a pattern and determines the filter indexes to use or to create. Indexing filter values to match event properties of incoming events enables the runtime to match incoming events faster to pattern subexpressions.

More information on filter indexes in general can be found at [Section 2.18.2, “Filter Indexes”](#).

More information on the operators relevant to filter indexes can be found at [Section 5.4.1.2, “Specifying Filter Criteria”](#).

7.4.2. Controlling Event Consumption

An arriving event applies to all filter expressions for which the event matches. In other words, an arriving event is not consumed by any specify filter expression(s) but applies to all active filter expressions of all pattern sub-expressions.

You may provide the `@consume` annotation as part of a filter expression to control consumption of an arriving event. If an arriving event matches the filter expression marked with `@consume` it is no longer available to other filter expressions of the same pattern that also match the arriving event.

The `@consume` can include a level number in parenthesis. A higher level number consumes the event first. The default level number is 1. Multiple filter expressions with the same level number for `@consume` all match the event.

Consider the next sample pattern:


```
a=RfidEvent(zone='Z1') and b=RfidEvent(assetId='0001')
```

This pattern fires when a single RfidEvent event arrives that has zone 'Z1' and assetId '0001'. The pattern also matches when two RfidEvent events arrive, in any order, wherein one has zone 'Z1' and the other has assetId '0001'.

Mark a filter expression with `@consume` to indicate that if an arriving event matches multiple filter expressions that the runtime prefers the marked filter expression and does not match any other filter expression.

This updated pattern statement uses `@consume` to indicate that a match against zone is preferred:

```
a=RfidEvent(zone='Z1')@consume and b=RfidEvent(assetId='0001')
```

This pattern no longer fires when a single RfidEvent arrives that has zone 'Z1' and assetId '0001', because when the first filter expression matches the pattern runtime consumes the event. The pattern only matches when two RfidEvent events arrive in any order. One event must have zone 'Z1' and the other event must have a zone other than 'Z1' and an assetId '0001'.

The next sample pattern provides a level number for each `@consume`:

```
a=RfidEvent(zone='Z1')@consume(2)
  or b=RfidEvent(assetId='0001')@consume(1)
  or c=RfidEvent(category='perishable')
```

The pattern fires when an RfidEvent arrives with zone 'Z1'. In this case the output event populates property 'a' but not properties 'b' and 'c'. The pattern also fires when an RfidEvent arrives with a zone other than 'Z1' and an asset id of '0001'. In this case the output event populates property 'b' but not properties 'a' and 'c'. The pattern also fires when an RfidEvent arrives with a zone other than 'Z1' and an asset id other than '0001' and a category of 'perishable'. In this case the output event populates property 'c' but not properties 'a' and 'b'.

7.4.3. Use With Named Windows and Tables

When your filter expression provides the name of a named window then the filter expression matches each time an event is inserted into the named window that matches the filter conditions.

For example, assume a named window that holds the last order event per order id:

```
create window LastOrderWindow#unique(orderId) as OrderEvent
```

Assume that all order events are inserted into the named window using `insert-into`:

```
insert into LastOrderWindow select * from OrderEvent
```

This sample pattern fires 10 seconds after an order event with a price greater than 100 was inserted:

```
select * from pattern [every o=LastOrderWindow(price >= 100) -> timer:interval(10 sec)]
```

The pattern above fires only for events inserted-into the `LastOrderWindow` named window and does not fire when an order event was updated using `on-update` or merged using `on-merge`.

If your application would like to have the pattern fire for any change to the named window events including updates and merges, you must select from the named window as follows:

```
insert into OrderWindowChangeStream select * from LastOrderWindow
```

```
select * from pattern [every o=OrderWindowChangeStream(price >= 100) -> timer:interval(10 sec)]
```

A table cannot be listed as part of a pattern filter, however any filter EPL expressions can have tables access expressions and subqueries against tables.

Assuming that `MyTable` is a table, the following is not allowed:

```
// not allowed
select * from pattern [every MyTable -> timer:interval(10 sec)]
```

7.5. Pattern Operators

7.5.1. Every

The `every` operator indicates that the pattern sub-expression should restart when the subexpression qualified by the `every` keyword evaluates to true or false. Without the `every` operator the pattern sub-expression stops when the pattern sub-expression evaluates to true or false.

As a side note, please be aware that a single invocation to the `UpdateListener` interface may deliver multiple events in one invocation, since the interface accepts an array of values.

Thus the `every` operator works like a factory for the pattern sub-expression contained within. When the pattern sub-expression within it fires and thus quits checking for events, the `every` causes the start of a new pattern sub-expression listening for more occurrences of the same event or set of events.

Every time a pattern sub-expression within an `every` operator turns true the runtime starts a new active subexpression looking for more event(s) or timing conditions that match the pattern sub-expression. If the `every` operator is not specified for a subexpression, the subexpression stops after the first match was found.

This pattern fires when encountering an A event and then stops looking.

```
A
```

This pattern keeps firing when encountering A events, and doesn't stop looking.

```
every A
```

When using `every` operator with the `->` followed-by operator, each time the `every` operator restarts it also starts a new subexpression instance looking for events in the followed-by subexpression.

Let's consider an example event sequence as follows.

```
A1 B1 C1 B2 A2 D1 A3 B3 E1 A4 F1 B4
```

Table 7.4. Every Operator Examples

Example	Description
<code>every (A -> B)</code>	<p>Detect an A event followed by a B event. At the time when B occurs the pattern matches, then the pattern matcher restarts and looks for the next A event.</p> <ol style="list-style-type: none"> 1. Matches on B₁ for combination {A₁, B₁} 2. Matches on B₃ for combination {A₂, B₃} 3. Matches on B₄ for combination {A₄, B₄}
<code>every A -> B</code>	<p>The pattern fires for every A event followed by a B event.</p> <ol style="list-style-type: none"> 1. Matches on B₁ for combination {A₁, B₁} 2. Matches on B₃ for combination {A₂, B₃} and {A₃, B₃} 3. Matches on B₄ for combination {A₄, B₄}

Example	Description
<code>A -> every B</code>	<p>The pattern fires for an A event followed by every B event.</p> <ol style="list-style-type: none"> 1. Matches on B₁ for combination {A₁, B₁}. 2. Matches on B₂ for combination {A₁, B₂}. 3. Matches on B₃ for combination {A₁, B₃} 4. Matches on B₄ for combination {A₁, B₄}
<code>every A -> every B</code>	<p>The pattern fires for every A event followed by every B event.</p> <ol style="list-style-type: none"> 1. Matches on B₁ for combination {A₁, B₁}. 2. Matches on B₂ for combination {A₁, B₂}. 3. Matches on B₃ for combination {A₁, B₃} and {A₂, B₃} and {A₃, B₃} 4. Matches on B₄ for combination {A₁, B₄} and {A₂, B₄} and {A₃, B₄} and {A₄, B₄}

The examples show that it is possible that a pattern fires for multiple combinations of events that match a pattern expression. Each combination is posted as an `EventBean` instance to the `update` method in the `UpdateListener` implementation.

Let's consider the `every` operator in conjunction with a subexpression that matches 3 events that follow each other:

```
every (A -> B -> C)
```

The pattern first looks for A events. When an A event arrives, it looks for a B event. After the B event arrives, the pattern looks for a C event. Finally, when the C event arrives the pattern fires. The runtime then starts looking for an A event again.

Assume that between the B event and the C event a second A₂ event arrives. The pattern would ignore the A₂ event entirely since it's then looking for a C event. As observed in the prior example, the `every` operator restarts the subexpression `A -> B -> C` only when the subexpression fires.

In the next statement the `every` operator applies only to the A event, not the whole subexpression:

```
every A -> B -> C
```

This pattern now matches for each A event that is followed by a B event and then a C event, regardless of when the A event arrives. Note that for each A event that arrives the pattern runtime starts a new subexpression looking for a B event and then a C event, outputting each combination of matching events.

7.5.1.1. Every Operator Equivalence

A pattern that only has the `every` operator and a single filter expression is equivalent to selecting the same filter in the `from` clause:

```
select * from StockTickEvent(symbol='GE')           // Prefer this
// ... equivalent to ...
select * from pattern[every StockTickEvent(symbol='GE')]
```

7.5.1.2. Limiting Subexpression Lifetime

As the introduction of the `every` operator states, the operator starts new subexpression instances and can cause multiple matches to occur for a single arriving event.

New subexpressions also take a very small amount of system resources and thereby your application should carefully consider when subexpressions must end when designing patterns. Use the `timer:within` construct and the `and not` constructs to end active subexpressions. The data window onto a pattern stream does not serve to limit pattern sub-expression lifetime.

Lets look at a concrete example. Consider the following sequence of events arriving:

A₁ A₂ B₁

This pattern matches on arrival of B₁ and outputs two events (an array of length 2 if using a listener). The two events are the combinations {A₁, B₁} and {A₂, B₁}:

```
every a=A -> b=B
```

The `and not` operators are used to end an active subexpression.

The next pattern matches on arrival of B₁ and outputs only the last A event which is the combination {A₂, B₁}:

```
every a=A -> (b=B and not A)
```

The `and not` operators cause the subexpression looking for {A₁, B₁} to end when A₂ arrives.

Similarly, in the pattern below the runtime starts a new subexpression looking for a B event every 1 second. After 5 seconds there are 5 subexpressions active looking for a B event and 5 matches occur at once if a B event arrives after 5 seconds.

```
every timer:interval(1 sec) -> b=B
```

Again the `and` and `not` operators can end subexpressions that are not intended to match any longer:

```
every timer:interval(1 sec) -> (b=B and not timer:interval(1 sec))
// equivalent to
every timer:interval(1 sec) -> (b=B where timer:within(1 sec))
```

7.5.1.3. Every Operator Example

This example considers a generic pattern in which the pattern must match for each A event followed by a B event and followed by a C event, in which both the B event and the C event must arrive within 1 hour of the A event. The first approach to the pattern is as follows:

```
every A -> (B -> C) where timer:within(1 hour)
```

Consider the following sequence of events arriving:

A₁ A₂ B₁ C₁ B₂ C₂

First, the pattern as above never stops looking for A events since the `every` operator instructs the pattern to keep looking for A events.

When A₁ arrives, the pattern starts a new subexpression that keeps A₁ in memory and looks for any B event. At the same time, it also keeps looking for more A events.

When A₂ arrives, the pattern starts a new subexpression that keeps A₂ in memory and looks for any B event. At the same time, it also keeps looking for more A events.

After the arrival of A₂, there are 3 subexpressions active:

1. The first active subexpression with A₁ in memory, looking for any B event.
2. The second active subexpression with A₂ in memory, looking for any B event.
3. A third active subexpression, looking for the next A event.

In the pattern above, there is a 1-hour lifetime for subexpressions looking for B and C events. Thus, if no B and no C event arrive within 1 hour after A₁, the first subexpression goes away. If no B and no C event arrive within 1 hour after A₂, the second subexpression goes away. The third subexpression however stays around looking for more A events.

The pattern as shown above thus matches on arrival of C₁ for combination {A₁, B₁, C₁} and for combination {A₂, B₁, C₁}, provided that B₁ and C₁ arrive within an hour of A₁ and A₂.

You may now ask how to match on {A₁, B₁, C₁} and {A₂, B₂, C₂} instead, since you may need to correlate on a given property.

The pattern as discussed above matches every A event followed by the first B event followed by the next C event, and doesn't specifically qualify the B or C events to look for based on the

A event. To look for specific B and C events in relation to a given A event, specify correlating properties of the A event, for example:

```
every a=A -> (B(id=a.id) -> C(id=a.id)) where timer:within(1 hour)
```

The pattern as shown above thus matches on arrival of C_1 for combination $\{A_1, B_1, C_1\}$ and on arrival of C_2 for combination $\{A_2, B_2, C_2\}$.

7.5.1.4. Sensor Example

This example looks at temperature sensor events named `Sample`. The pattern detects when 3 sensor events indicate a temperature of more than 50 degrees uninterrupted within 90 seconds of the first event, considering events for the same sensor only.

```
every sample=Sample(temp > 50) ->
( (Sample(sensor=sample.sensor, temp > 50) and not Sample(sensor=sample.sensor,
temp <= 50))
->
(Sample(sensor=sample.sensor, temp > 50) and not Sample(sensor=sample.sensor,
temp <= 50))
) where timer:within(90 seconds))
```

The pattern starts a new subexpression in the round braces after the first followed-by operator for each time a sensor indicated more than 50 degrees. Each subexpression then lives a maximum of 90 seconds. Each subexpression ends if a temperature of 50 degrees or less is encountered for the same sensor. Only if 3 temperature events in a row indicate more than 50 degrees, and within 90 seconds of the first event, and for the same sensor, does this pattern fire.

7.5.2. Every-Distinct

Similar to the `every` operator in most aspects, the `every-distinct` operator indicates that the pattern sub-expression should restart when the subexpression qualified by the `every-distinct` keyword evaluates to true or false. In addition, the `every-distinct` eliminates duplicate results received from an active subexpression according to its `distinct-value` expressions.

The synopsis for the `every-distinct` pattern operator is:

```
every-distinct(distinct_value_expr [, distinct_value_exp[...]]
[, expiry_time_period])
```

Within parenthesis are one or more `distinct_value_expr` expressions that return the values by which to remove duplicates. Further detail on key expressions can be found at [Section 5.2.13, “Composite Keys and Array Values as Keys”](#).

You may optionally specify an *expiry_time_period* time period. If present, the pattern runtime expires and removes distinct key values that are older than the time period, removing their associated memory and allowing such distinct values to match again. When your distinct value expressions return an unlimited number of values, for example when your distinct value is a timestamp or auto-increment column, you should always specify an expiry time period.

When specifying properties in the distinct-value expression list, you must ensure that the event types providing properties are tagged. Only properties of event types within filter expressions that are sub-expressions to the *every-distinct* may be specified.

For example, this pattern keeps firing for every A event with a distinct value for its `aprop` property:

```
every-distinct(a.aprop) a=A
```

Note that the pattern above assigns the `a` tag to the A event and uses `a.pprop` to identify the `pprop` property as a value of the `a` event A.

A pattern that returns the first Sample event for each sensor, assuming `sensor` is a field that returns a unique id identifying the sensor that originated the Sample event, is:

```
every-distinct(s.sensor) s=Sample
```

The next pattern looks for pairs of A and B events and returns only the first pair for each combination of `aprop` of an A event and `bpprop` of a B event:

```
every-distinct(a.aprop, b.bpprop) (a=A and b=B)
```

The following pattern looks for A events followed by B events for which the value of the `aprop` of an A event is the same value of the `bpprop` of a B event but only for each distinct value of `aprop` of an A event:

```
every-distinct(a.aprop) a=A -> b=B(bpprop = a.aprop)
```

When specifying properties as part of distinct-value expressions, properties must be available from tagged event types in sub-expressions to the *every-distinct*.

The following patterns are not valid:

```
// Invalid: event type in filter not tagged  
every-distinct(aprop) A
```



```
// Invalid: property not from a sub-expression of every-distinct
a=A -> every-distinct(a.aprop) b=B
```

When an active subexpression to `every-distinct` becomes permanently false, the distinct-values seen from the active subexpression are removed and the sub-expression within is restarted.

For example, the below pattern detects each A event distinct by the value of `aprop`.

```
every-distinct(a.aprop) (a=A and not B)
```

In the pattern above, when a B event arrives, the subexpression becomes permanently false and is restarted anew, detecting each A event distinct by the value of `aprop` without considering prior values.

When your distinct key is a timestamp or other non-unique property, specify an expiry time period.

The following example returns every distinct A event according to the timestamp property on the A event, retaining each timestamp value for 10 seconds:

```
every-distinct(a.timestamp, 10 seconds) a=A
```

In the example above, if for a given A event and its timestamp value the same timestamp value occurs again for another A event before 10 seconds passed, the A event is not a match. If 10 seconds passed the pattern indicates a second match.

You may not use `every-distinct` with a `timer-within` guard to expire keys: The expiry time notation as above is the recommended means to expire keys.

```
// This is not the same as above; It does not expire transaction ids and is
not recommended
every-distinct(a.timestamp) a=A where timer:within(10 sec)
```

7.5.3. Repeat

The repeat operator fires when a pattern sub-expression evaluates to true a given number of times. The synopsis is as follows:

```
[match_count] repeating_subexpr
```

The repeat operator is very similar to the `every` operator in that it restarts the `repeating_subexpr` pattern sub-expression up to a given number of times.

match_count is a positive number that specifies how often the *repeating_subexpr* pattern sub-expression must evaluate to true before the repeat expression itself evaluates to true, after which the runtime may indicate a match.

For example, this pattern fires when the last of five A events arrives:

```
[5] A
```

Parenthesis must be used for nested pattern sub-expressions. This pattern fires when the last of a total of any five A or B events arrives:

```
[5] (A or B)
```

Without parenthesis the pattern semantics change, according to the operator precedence described earlier. This pattern fires when the last of a total of five A events arrives or a single B event arrives, whichever happens first:

```
[5] A or B
```

Tags can be used to name events in filter expression of pattern sub-expressions. The next pattern looks for an A event followed by a B event, and a second A event followed by a second B event. The output event provides indexed and array properties of the same name:

```
[2] (a=A -> b=B)
```

Using tags with repeat is further described in [Section 7.5.4.6, “Tags and the Repeat Operator”](#).

Consider the following pattern that demonstrates the behavior when a pattern sub-expression becomes permanently false:

```
[2] (a=A and not C)
```

In the case where a C event arrives before 2 A events arrive, the pattern above becomes permanently false.

Lets add an `every` operator to restart the pattern and thus keep matching for all pairs of A events that arrive without a C event in between each pair:

```
every [2] (a=A and not C)
```

Since pattern matches return multiple A events, your select clause should use tag `a` as an array, for example:

```
select a[0].id, a[1].id from pattern [every [2] (a=A and not C)]
```

7.5.4. Repeat-Until

The `repeat until` operator provides additional control over repeated matching.

The `repeat until` operator takes an optional range, a pattern sub-expression to repeat, the `until` keyword and a second pattern sub-expression that ends the repetition. The synopsis is as follows:

```
[range] repeated_pattern_expr until end_pattern_expr
```

Without a *range*, the runtime matches the *repeated_pattern_expr* pattern sub-expression until the *end_pattern_expr* evaluates to true, at which time the expression turns true.

An optional *range* can be used to indicate the minimum number of times that the *repeated_pattern_expr* pattern sub-expression must become true.

The optional *range* can also specify a maximum number of times that *repeated_pattern_expr* pattern sub-expression evaluates to true and retains tagged events. When this number is reached, the runtime stops the *repeated_pattern_expr* pattern sub-expression.

The `until` keyword is always required when specifying a range and is not required if specifying a fixed number of repeat as discussed in the section before.

7.5.4.1. Unbound Repeat

In the unbound repeat, without a *range*, the runtime matches the *repeated_pattern_expr* pattern sub-expression until the *end_pattern_expr* evaluates to true, at which time the expression turns true. The synopsis is:

```
repeated_pattern_expr until end_pattern_expr
```

This is a pattern that keeps looking for A events until a B event arrives:

```
A until B
```

Nested pattern sub-expressions must be placed in parenthesis since the `until` operator has precedence over most operators. This example collects all A or B events for 10 seconds and places events received in indexed properties 'a' and 'b':

```
(a=A or b=B) until timer:interval(10 sec)
```

7.5.4.2. Bound Repeat Overview

The synopsis for the optional *range* qualifier is:

```
[ [low_endpoint] : [high_endpoint] ]
```

low_endpoint is an optional number that appears on the left of a colon (:), after which follows an optional *high_endpoint* number.

A range thus consists of a *low_endpoint* and a *high_endpoint* in square brackets and separated by a colon (:) characters. Both endpoint values are optional but either one or both must be supplied. The *low_endpoint* can be omitted to denote a range that starts at zero. The *high_endpoint* can be omitted to denote an open-ended range.

Some examples for valid ranges might be:

```
[3 : 10]  
[:3]    // range starts at zero  
[2:]    // open-ended range
```

The *low_endpoint*, if specified, defines the minimum number of times that the *repeated_pattern_expr* pattern sub-expression must become true in order for the expression to become true.

The *high_endpoint*, if specified, is the maximum number of times that the *repeated_pattern_expr* pattern sub-expression becomes true. If the number is reached, the runtime stops the *repeated_pattern_expr* pattern sub-expression.

In all cases, only at the time that the *end_pattern_expr* pattern sub-expression evaluates to true does the expression become true. If *end_pattern_expr* pattern sub-expression evaluates to false, then the expression evaluates to false.

7.5.4.3. Bound Repeat - Open Ended Range

An open-ended range specifies only a low endpoint and not a high endpoint.

Consider the following pattern which requires at least three A events to match:

```
[3:] A until B
```

In the pattern above, if a B event arrives before 3 A events occurred, the expression ends and evaluates to false.

7.5.4.4. Bound Repeat - High Endpoint Range

A high-endpoint range specifies only a high endpoint and not a low endpoint.

In this sample pattern the runtime will be looking for a maximum of 3 A events. The expression turns true as soon as a single B event arrives regardless of the number of A events received:

```
[:3] A until B
```

The next pattern matches when a C or D event arrives, regardless of the number of A or B events that occurred:

```
[:3] (a=A or b=B) until (c=C or d=D)
```

In the pattern above, if more than 3 A or B events arrive, the pattern stops looking for additional A or B events. The 'a' and 'b' tags retain only the first 3 (combined) matches among A and B events. The output event contains these tagged events as indexed properties.

7.5.4.5. Bound Repeat - Bounded Range

A bounded range specifies a low endpoint and a high endpoint.

The next pattern matches after at least one A event arrives upon the arrival of a single B event:

```
[1:3] a=A until B
```

If a B event arrives before the first A event, then the pattern does not match. Only the first 3 A events are returned by the pattern.

7.5.4.6. Tags and the Repeat Operator

The tags assigned to events in filter subexpressions within a repeat operator are available for use in filter expressions and also in any EPL clause.

This sample pattern matches 2 A events followed by a B event. Note the filter on B events: only a B event that has a value for the "beta" property that equals any of the "id" property values of the two A events is considered:

```
[2] A -> B(beta in (a[0].id, a[1].id))
```

The next statement returns pairs of A events:

```
select a, a[0], a[0].id, a[1], a[1].id
from pattern [ every [2] a=A ]
```

The `select` clause of the statement above showcases different ways of accessing tagged events:

- The tag itself can be used to select an array of underlying events. For example, the 'a' expression above returns an array of underlying events of event type A.
- The tag as an indexed property returns the underlying event at that index. For instance, the 'a[0]' expression returns the first underlying A event, or null if no such A event was matched by the repeat operator.
- The tag as a nested, indexed property returns a property of the underlying event at that index. For example, the 'a[1].id' expression returns the 'id' property value of the second A event, or null if no such second A event was matched by the repeat operator.

7.5.4.7. Note on Indexed Tags

You may not use indexed tags defined in the sub-expression to the repeat operator in the same subexpression. For example, in the following pattern the subexpression to the repeat operator is `(a=A() -> b=B(id=a[0].id))` and the tag `a` cannot be used in its indexed form in the filter for event B:

```
// invalid
every [2] (a=A() -> b=B(id=a[0].id))
```

You can use tags without an index:

```
// valid
every [2] (a=A() -> b=B(id=a.id))
```

7.5.5. And

Similar to the Java `&&` operator the `and` operator requires both nested pattern expressions to turn true before the whole expression turns true (a join pattern).

This pattern matches when both an A event and a B event arrive, at the time the last of the two events arrive:

```
A and B
```

This pattern matches on any sequence of an A event followed by a B event and then a C event followed by a D event, or a C event followed by a D and an A event followed by a B event:

```
(A -> B) and (C -> D)
```

Note that in an `and` pattern expression it is not possible to correlate events based on event property values. For example, this is an invalid pattern:

```
// This is NOT valid
a=A and B(id = a.id)
```

The above expression is invalid as it relies on the order of arrival of events, however in an `and` expression the order of events is not specified and events fulfill an `and` condition in any order. The above expression can be changed to use the followed-by operator:

```
// This is valid
a=A -> B(id = a.id)
// another example using 'and'...
a=A -> (B(id = a.id) and C(id = a.id))
```

Consider a pattern that looks for the same event:

```
A and A
```

The pattern above fires when a single A event arrives. The first arriving A event triggers a state transition in both the left and the right hand side expression.

In order to match after two A events arrive in any order, there are two options to express this pattern. The followed-by operator is one option and the repeat operator is the second option, as the next two patterns show:

```
A -> A
// ... or ...
[2] A
```

7.5.6. Or

Similar to the Java “||” operator the `or` operator requires either one of the expressions to turn true before the whole expression turns true.

Look for either an A event or a B event. As always, A and B can itself be nested expressions as well.

```
A or B
```

The next EPL outputs all A and B events:

```
every A or every B
```

Elaborating further, the expression `every A or every B` is equivalent to `every (A or B)`. Prefer `every A or every B` as the `every` keyword lets the runtime know that filters for A and B can remain active. Consider the expression `every A or every timer:interval(10 sec)` which is not equivalent to `every (A or timer:interval(10 sec))`. This is because in the latter expression when an A event arrives the interval restarts.

7.5.7. Not

The `not` operator negates the truth value of an expression. Pattern expressions prefixed with `not` are automatically defaulted to true upon start, and turn permanently false when the expression within turns true.

The `not` operator is generally used in conjunction with the `and` operator or subexpressions as the below examples show.

This pattern matches only when an A event is encountered followed by a B event but only if no C event was encountered before either an A event and a B event, counting from the time the pattern is started:

```
(A -> B) and not C
```

Assume we'd like to detect when an A event is followed by a D event, without any B or C events between the A and D events:

```
A -> (D and not (B or C))
```


It may help your understanding to discuss a pattern that uses the `or` operator and the `not` operator together:

```
a=A -> (b=B or not C)
```

In the pattern above, when an A event arrives then the runtime starts the subexpression `B or not c`. As soon as the subexpression starts, the `not` operator turns to true. The `or` expression turns true and thus your listener receives an invocation providing the A event in the property 'a'. The subexpression does not end and continues listening for B and C events. Upon arrival of a B event your listener receives a second invocation. If instead a C event arrives, the `not` turns permanently false however that does not affect the `or` operator (but would end an `and` operator).

To test for absence of an event, use `timer:interval` together with `and` and `not` operators. The sample statement reports each 10-second interval during which no A event occurred:

```
every(timer:interval(10 sec) and not A)
```

In many cases the `not` operator, when used alone, does not make sense. The following example is invalid and will log a warning when the runtime is started:

```
// not a sensible pattern
(not a=A) -> B(id=a.id)
```

7.5.8. Followed-By

The followed by `->` operator specifies that first the left hand expression must turn true and only then is the right hand expression evaluated for matching events.

Look for an A event and if encountered, look for a B event. As always, A and B can itself be nested event pattern expressions.

```
A -> B
```

This is a pattern that fires when 2 status events indicating an error occur one after the other.

```
StatusEvent(status='ERROR') -> StatusEvent(status='ERROR')
```

A pattern that takes all A events that are not followed by a B event within 5 minutes:

```
every A -> (timer:interval(5 min) and not B)
```

A pattern that takes all A events that are not preceded by B within 5 minutes:

```
every (timer:interval(5 min) and not B -> A)
```

7.5.8.1. Limiting Sub-Expression Count

The followed-by `->` operator can optionally be provided with an expression that limits the number of sub-expression instances of the right-hand side pattern sub-expression.

The synopsis for the followed-by operator with limiting expression is:

```
lhs_expression -[limit_expression]> rhs_expression
```

Each time the *lhs_expression* pattern sub-expression turns true the pattern runtime starts a new *rhs_expression* pattern sub-expression. The *limit_expression* returns an integer value that defines a maximum number of pattern sub-expression instances that can simultaneously be present for the same *rhs_expression*.

When the limit is reached the pattern runtime issues a `com.espertech.esper.common.client.hook.condition.ConditionPatternSubexpressionMax` notification object to any condition handlers registered with the runtime as described in [Section 16.11, “Condition Handling”](#) and does not start a new pattern sub-expression instance for the right-hand side pattern sub-expression.

For example, consider the following pattern which returns for every A event the first B event that matches the `id` field value of the A event:

```
every a=A -> b=B(id = a.id)
```

In the above pattern, every time an A event arrives (lhs) the pattern runtime starts a new pattern sub-expression (rhs) consisting of a filter for the first B event that has the same value for the `id` field as the A event.

In some cases your application may want to limit the number of right-hand side sub-expressions because of memory concerns or to reduce output. You may add a limit expression returning an integer value as part of the operator.

This example employs the followed-by operator with a limit expression to indicate that maximally 2 filters for B events (the right-hand side pattern sub-expression) may be active at the same time:

```
every a=A -[2]> b=B(id = a.id)
```

Note that the limit expression in the example above is not a limit per value of `id` field, but a limit counting all right-hand side pattern sub-expression instances that are managed by that followed-by sub-expression instance.

If your followed-by operator lists multiple sub-expressions with limits, each limit applies to the immediate right-hand side. For example, the pattern below limits the number of filters for B events to 2 and the number of filters for C events to 3:

```
every a=A -[2]> b=B(id = a.id) -[3]> c=C(id = a.id)
```

7.5.8.2. Limiting Runtime-Wide Sub-Expression Count

The runtime allows setting a maximum number of pattern sub-expressions in the configuration, applicable to all followed-by operators of all statements.

If your application has patterns in multiple statements and all such patterns should count towards a total number of pattern sub-expression counts, you may consider setting a maximum number of pattern sub-expression instances, runtime-wide, via the configuration described in [Section 17.6.4.1, “Followed-By Operator Maximum Subexpression Count”](#).

When the limit is reached the pattern runtime issues a notification object to any condition handlers registered with the runtime as described in [Section 16.11, “Condition Handling”](#). Depending on your configuration the runtime can prevent the start of a new pattern sub-expression instance for the right-hand side pattern sub-expression, until pattern sub-expression instances end or statements are undeployed.

The notification object issued to condition handlers is an instance of `com.espertech.esper.common.client.hook.condition.ConditionPatternRuntimeSubexpressionMax`. The notification object contains information which statement triggered the limit and the pattern counts per statement for all statements.

For information on configuration please consult [Section 17.6.4.1, “Followed-By Operator Maximum Subexpression Count”](#).

7.5.9. Pattern Guards

Guards are where-conditions that control the lifecycle of subexpressions. Custom guard functions can also be used. The section [Chapter 22, Integration and Extension](#) outlines guard plug-in development in greater detail.

The pattern guard where-condition has no relationship to the EPL `where` clause that filters sets of events.

Take as an example the following pattern expression:

```
MyEvent where timer:within(10 sec)
```

In this pattern the `timer:within` guard controls the subexpression that is looking for `MyEvent` events. The guard terminates the subexpression looking for `MyEvent` events after 10 seconds after start of the pattern. Thus the pattern alerts only once when the first `MyEvent` event arrives within 10 seconds after start of the pattern.

The `every` keyword requires additional discussion since it also controls subexpression lifecycle. Let's add the `every` keyword to the example pattern:

```
every MyEvent where timer:within(10 sec)
```

The difference to the pattern without `every` is that each `MyEvent` event that arrives now starts a new subexpression, including a new guard, looking for a further `MyEvent` event. The result is that, when a `MyEvent` arrives within 10 seconds after pattern start, the pattern execution will look for the next `MyEvent` event to arrive within 10 seconds after the previous one.

By placing parentheses around the `every` keyword and its subexpression, you can have the `every` under the control of the guard:

```
(every MyEvent) where timer:within(10 sec)
```

In the pattern above, the guard terminates the subexpression looking for all `MyEvent` events after 10 seconds after start of the pattern. This pattern alerts for all `MyEvent` events arriving within 10 seconds after pattern start, and then stops.

Guards do not change the truth value of the subexpression of which the guard controls the lifecycle, and therefore do not cause a restart of the subexpression when used with the `every` operator. For example, the next pattern stops returning matches after 10 seconds unless a match occurred within 10 seconds after pattern start:

```
every ( (A and B) where timer:within(10 sec) )
```

7.5.9.1. The `timer:within` Pattern Guard

The `timer:within` guard acts like a stopwatch. If the associated pattern expression does not turn true within the specified time period it is stopped and permanently false.

The synopsis for `timer:within` is as follows:

```
timer:within(time_period_expression)
```

The *time_period_expression* is a time period (see [Section 5.2.1, “Specifying Time Periods”](#)) or an expression providing a number of seconds as a parameter. The interval expression may contain references to properties of prior events in the same pattern as well as variables and substitution parameters.

This pattern fires if an A event arrives within 5 seconds after statement deployment.

```
A where timer:within (5 seconds)
```

This pattern fires for all A events that arrive within 5 seconds. After 5 seconds, this pattern stops matching even if more A events arrive.

```
(every A) where timer:within (5 seconds)
```

This pattern matches for any one A or B event in the next 5 seconds.

```
( A or B ) where timer:within (5 sec)
```

This pattern matches for any 2 errors that happen 10 seconds within each other.

```
every (StatusEvent(status='ERROR') -> StatusEvent(status='ERROR') where
timer:within (10 sec))
```

The following guards are equivalent:

```
timer:within(2 minutes 5 seconds)
timer:within(125 sec)
timer:within(125)
```

7.5.9.2. The `timer:withinmax` Pattern Guard

The `timer:withinmax` guard is similar to the `timer:within` guard and acts as a stopwatch that additionally has a counter that counts the number of matches. It ends the subexpression when either the stopwatch ends or the match counter maximum value is reached.

The synopsis for `timer:withinmax` is as follows:

```
timer:withinmax(time_period_expression, max_count_expression)
```

The *time_period_expression* is a time period (see [Section 5.2.1, “Specifying Time Periods”](#)) or an expression providing a number of seconds.

The *max_count_expression* provides the maximum number of matches before the guard ends the subexpression.

Each parameter expression may also contain references to properties of prior events in the same pattern as well as variables and substitution parameters.

This pattern fires for every A event that arrives within 5 seconds after statement deployment but only up to the first two A events:

```
(every A) where timer:withinmax (5 seconds, 2)
```

If the result of the *max_count_expression* is 1, the guard ends the subexpression after the first match and indicates the first match.

This pattern fires for the first A event that arrives within 5 seconds after statement deployment:

```
(every A) where timer:withinmax (5 seconds, 1)
```

If the result of the *max_count_expression* is zero, the guard ends the subexpression upon the first match and does not indicate any matches.

This example receives every A event followed by every B event (as each B event arrives) until the 5-second subexpression timer ends or X number of B events have arrived (assume X was declared as a variable):

```
every A -> (every B) where timer:withinmax (5 seconds, X)
```

7.5.9.3. The `while` Pattern Guard

The `while` guard is followed by an expression that the runtime evaluates for every match reported by the guard pattern sub-expression. When the expression returns false the pattern sub-expression ends.

The synopsis for `while` is as follows:

```
while (guard_expression)
```

The *guard_expression* is any expression that returns a boolean true or false. The expression may contain references to properties of prior events in the same pattern as well as variables and substitution parameters.

Each time the subexpression indicates a match, the runtime evaluates *guard_expression* and if true, passes the match and when false, ends the subexpression.

This pattern fires for every A event until an A event arrives that has a value of zero or less for its *size* property (assuming A events have an integer *size* property).

```
(every a=A) while (a.size > 0)
```

Note the parenthesis around the *every* subexpression. They ensure that, following precedence rules, the guard applies to the *every* operator as well.

7.5.9.4. Guard Time Interval Expressions

The *timer:within* and *timer:withinmax* guards may be parameterized by an expression that contains one or more references to properties of prior events in the same pattern.

As a simple example, this pattern matches every A event followed by a B event that arrives within *delta* seconds after the A event:

```
every a=A -> b=B where timer:within (a.delta seconds)
```

Herein A event is assumed to have a *delta* property that provides the number of seconds to wait for B events. Each arriving A event may have a different value for *delta* and the guard is therefore parameterized dynamically based on the prior A event received.

When multiple events accumulate, for example when using the *match-until* or *repeat* pattern elements, an index must be provided:

```
[2] a=A -> b=B where timer:within (a[0].delta + a[1].delta)
```

The above pattern matches after 2 A events arrive followed by a B event within a time interval after the A event that is defined by the sum of the *delta* properties of both A events.

7.5.9.5. Combining Guard Expressions

You can combine guard expression by using parenthesis around each subexpression.

The below pattern matches for each A event while A events of size greater than zero arrive and only within the first 20 seconds:

```
((every a=A) while (a.size > 0)) where timer:within(20)
```

7.6. Pattern Atoms

7.6.1. Filter Atoms

Filter atoms have been described in section [Section 7.4, "Filter Expressions in Patterns"](#).

7.6.2. Observer Atoms Overview

Observers observe time-based events for which the thread-of-control originates by the runtime timer or external timer event. Custom observers can also be developed that observe timer events or other runtime-external application events such as a file-exists check. The section [Chapter 22, Integration and Extension](#) outlines observer plug-in development in greater detail.

7.6.3. Interval (`timer:interval`)

The `timer:interval` pattern observer waits for the defined time before the truth value of the observer turns true. The observer takes a time period (see [Section 5.2.1, "Specifying Time Periods"](#)) as a parameter, or an expression that returns the number of seconds.

The observer may be parameterized by an expression that contains one or more references to properties of prior events in the same pattern, or may also reference variables, substitution parameters or any other expression returning a numeric value.

After an A event arrived wait 10 seconds then indicate that the pattern matches.

```
A -> timer:interval(10 seconds)
```

The pattern below fires every 20 seconds.

```
every timer:interval(20 sec)
```

The next example pattern fires for every A event that is not followed by a B event within 60 seconds after the A event arrived. The B event must have the same "id" property value as the A event.

```
every a=A -> (timer:interval(60 sec) and not B(id=a.id))
```

Consider the next example, which assumes that the A event has a property `waittime:`


```
every a=A -> (timer:interval(a.waittime + 2) and not B(id=a.id))
```

In the above pattern the logic waits for 2 seconds plus the number of seconds provided by the value of the `waittime` property of the A event.

7.6.4. Crontab (timer:at)

The `timer:at` pattern observer is similar in function to the Unix “crontab” command. At a specified time the expression turns true. The `at` operator can also be made to pattern match at regular intervals by using an `every` operator in front of the `timer:at` operator.

The syntax is:

```
timer:at (minutes, hours, days of month, months, days of week [, seconds [,
time zone [, milliseconds [, microseconds]]]])
```

The value for seconds, time zone, milliseconds and microseconds is optional. Each element allows wildcard `*` values. Ranges can be specified by means of lower bounds then a colon `:` then the upper bound. The division operator `*/x` can be used to specify that every x^{th} value is valid. Combinations of these operators can be used by placing these into square brackets (`[]`).

The `timer:at` observer may also be parameterized by an expression that contains one or more references to properties of prior events in the same pattern, or may also reference variables, substitution parameters or any other expression returning a numeric value. The frequency division operator `*/x` and parameters lists within brackets (`[]`) are an exception: they may only contain variables, substitution parameters or numeric values.

This expression pattern matches every 5 minutes past the hour.

```
every timer:at(5, *, *, *, *)
```

The below `timer:at` pattern matches every 15 minutes from 8am to 5:45pm (hours 8 to 17 at 0, 15, 30 and 45 minutes past the hour) on even numbered days of the month as well as on the first day of the month.

```
timer:at (* / 15, 8:17, [* / 2, 1], *, *)
```

The below table outlines the fields, valid values and keywords available for each field:

Table 7.5. Crontab Fields

Field Name	Mandatory?	Allowed Values	Additional Keywords
Minutes	yes	0 - 59	

Field Name	Mandatory?	Allowed Values	Additional Keywords
Hours	yes	0 - 23	
Days Of Month	yes	1 - 31	last, weekday, lastweekday
Months	yes	1 - 12	
Days Of Week	yes	0 (Sunday) - 6 (Saturday)	last
Seconds	no (required if specifying a time zone, milliseconds or microseconds)	0 - 59	
Time Zone	no (required if specifying milliseconds or microseconds)	any string (not validated, see TimeZone javadoc; use * for any value)	
Milliseconds	no (required if specifying microseconds)	0 - 999	
Microseconds	no	0 - 999 (only relevant when using microseconds as the runtime time unit)	

The keyword `last` used in the days-of-month field means the last day of the month (current month). To specify the last day of another month, you must provide a value for the month field. For example: `timer:at(*, *, last,2,*)` is the last day of February.

The `last` keyword in the day-of-week field by itself simply means Saturday. If used in the day-of-week field after another value, it means "the last xxx day of the month" - for example "5 last" means "the last Friday of the month". So the last Friday of the current month will be: `timer:at(*, *, *, 5 last)`. And the last Friday of June: `timer:at(*, *, *, 6, 5 last)`.

The keyword `weekday` is used to specify the weekday (Monday-Friday) nearest the given day. Variant could include month like in: `timer:at(*, *, 30 weekday, 9, *)` which for year 2007 is Friday September 28th (no jump over month).

The keyword `lastweekday` is a combination of two parameters, the `last` and the `weekday` keywords. A typical example could be: `timer:at(*, *, *, lastweekday, 9, *)` which will define Friday September 28th (example year is 2007).

The time zone is a string-type value that specifies the time zone of the schedule. You must specify a value for seconds when specifying a time zone. The runtime relies on the `java.util.TimeZone` to interpret the time zone value. Note that `TimeZone` does not validate time zone strings.

The following `timer:at` pattern matches at 5:00 pm Pacific Standard Time (PST):

```
timer:at (0, 17, *, *, *, *, 'PST')
```

Any expression may occur among the parameters. This example invokes a user-defined function `computeHour` to return an hour:

```
timer:at (0, computeHour(), *, *, *, *)
```

The following restrictions apply to crontab parameters:

- It is not possible to specify both Days Of Month and Days Of Week.

7.6.4.1. timer:at and the every Operator

When using `timer:at` with the `every` operator the crontab-like timer computes the next time at which the timer should fire based on the specification and the current time. When using `every`, the current time is the time the timer fired or the statement start time if the timer has not fired once.

For example, this pattern fires every 1 minute starting at 1:00pm and ending at 1:59pm, every day:

```
every timer:at(*, 13, *, *, *)
```

Assume the above statement gets started at 1:05pm and 20 seconds. In such case the above pattern fires every 1 minute starting at 1:06pm and ending at 1:59pm for that day and 1:00pm to 1:59pm every following day.

To get the pattern to fire only once at 1pm every day, explicitly specify the minute to start. The pattern below fires every day at 1:00pm:

```
every timer:at(0, 13, *, *, *)
```

By specifying a second resolution the timer can be made to fire every second, for instance:

```
every timer:at(*, *, *, *, *, *)
```

7.6.5. Schedule (`timer:schedule`)

The `timer:schedule` observer is a flexible observer for scheduling.

The observer implements relevant parts of the ISO 8601 specification however it is not necessary to use ISO 8601 formats. The ISO 8601 standard is an international standard covering the exchange of date and time-related data. The standard specifies a date format, a format for time periods and a format for specifying the number of repetitions. Please find more information on ISO 8601 at [Wikipedia](http://en.wikipedia.org/wiki/ISO_8601) [http://en.wikipedia.org/wiki/ISO_8601].

The observer takes the following named parameters:

Table 7.6. Timer Schedule Parameters

Name	Description
<code>iso</code>	An expression returning a string-type ISO 8601 formatted date, time period and/or number of repetitions.
<code>repetitions</code>	An expression returning a numeric value that specifies a number of repetitions. Provide a value of -1 for an unlimited number of repetitions. If unspecified, the number of repetitions is one.
<code>date</code>	An expression returning a string-type ISO 8601 formatted date, or an expression that returns any of these types: <code>long</code> , <code>Date</code> , <code>Calendar</code> , <code>LocalDateTime</code> , <code>ZonedDateTime</code> .
<code>period</code>	An expression returning a time period, see Section 5.2.1, "Specifying Time Periods"

In summary, for example, the below pattern schedules two callbacks: The first callback 2008-03-01 at 13:00:00 UTC and the second callback on 2009-05-11 at 15:30:00 UTC.

```
select * from pattern[every timer:schedule(iso: 'R2/2008-03-01T13:00:00Z/P1Y2M10DT2H30M')]
```

The number of repetitions, date and period can be separated and do not have to be ISO 8601 strings, allowing each part to be an own expression.

This example specifies separate expressions. The equivalent schedule to the above example is:

```
select * from pattern[every timer:schedule(repetitions: 2, date: '2008-03-01T13:00:00Z', period: 1 year 2 month 10 days 2 hours 30 minutes)]
```

When providing the `iso` parameter, it must be the only parameter. The `repetitions` parameter is only allowed in conjunction with other parameters.

7.6.5.1. Specifying ISO8601 Dates, Periods and Repetition

7.6.5.1.1. Specifying Dates

The complete document for ISO 8601, the international standard for the representation of dates and times, can be found at <http://www.w3.org/TR/NOTE-datetime>.

The supported ISO 8601 date formats are:

Table 7.7. ISO 8601 Period Examples

Description	Format	Example
Complete date plus hours, minutes and seconds (zero milliseconds, zero microseconds):	YYYY-MM-DDThh:mm:ssTZD	1997-07-16T19:20:30Z (i.e. GMT+00:00, UTC) 1997-07-16T19:20:30+01:00 (i.e. GMT+01:00) 1997-07-16T19:20:30 (i.e. local time zone)
Complete date plus hours, minutes, seconds and a decimal fraction of a second (zero microseconds)	YYYY-MM-DDThh:mm:ss.sTZD	1997-07-16T19:20:30.45Z (i.e. GMT+00:00, UTC) 1997-07-16T19:20:30.45+01:00 (i.e. GMT+01:00) 1997-07-16T19:20:30.45 (i.e. local time zone)

7.6.5.1.2. Specifying Periods

In ISO 8601, periods are specified by a `P` and an optional year, month, week and day count. If there is a time part, add `T` and optionally provide the hour, minute and seconds. The format does not have any whitespace. The synopsis is:

```
P [nY] [nM] [nW] [nD] [T [nH] [nM] [nS] ]
```

The `Y` stands for years, the `M` for month as well as minutes, the `W` for weeks and the `D` for days. The `H` stands for hours and the `S` means seconds.

Table 7.8. ISO 8601 Period Examples

Example	Description
P10M	10 months
PT10M	10 minutes
P1Y3M12D	1 year, 3 month and 12 days
P10DT5M	10 days and 5 minutes
P1Y2M3DT4H5M6S	1 year, 2 month, 3 days, 4 hours, 5 minutes, 6 seconds

7.6.5.1.3. Specifying Repetitions

In ISO 8601, repetition is specified by an `R` and an optional number of repetitions without any white space. The synopsis is:

```
R [nn]
```

For example `R5` means 5 repetitions, and just `R` means unlimited repetitions.

7.6.5.2. Scheduling a Callback to Occur for a Given Date (Non-Repeating)

To instruct the runtime to observe a date, provide a date to the observer. When time advances to the specified date, the pattern subexpression fires.

For example, this pattern fires once when time reaches 2012-10-01 at 5:52:00 (UTC):

```
timer:schedule(iso:'2012-10-01T05:52:00Z')
```

This equivalent pattern specifies separate expressions:

```
every timer:schedule(date:'2012-10-01T05:52:00Z')
```

When the observer fires, the pattern subexpression becomes permanently false and the runtime does not restart the observer.

If the provided date is a past date as compared to runtime time, the pattern subexpression becomes permanently false on start.

7.6.5.3. Scheduling a Callback to Occur After a Given Period (Non-Repeating)

To instruct the runtime to observe a period starting from the current runtime time, provide a period. When time advances to the current runtime time plus the specified period, the pattern subexpression fires.

Assuming the current runtime time is 2012-10-01 at 5:52:00 (UTC), this pattern fires once when time reaches 5:53:00:

```
timer:schedule(iso:'PT1M')
```

This equivalent pattern specifies separate expressions:

```
every timer:schedule(period: 1 minute)
```

When the observer fires, the pattern subexpression becomes permanently false and the runtime does not restart the observer.

7.6.5.4. Scheduling a Callback to Occur After a Given Date and Period (Non-Repeating)

To instruct the runtime to observe a period starting from a given date, provide a date and a period. When time advances to the date plus the specified period, the pattern subexpression fires.

Assuming the current runtime time is 5:52:00 (UTC), this pattern fires once when time reaches 2012-10-01 at 5:53:00:

```
timer:schedule(iso:'2012-10-01T05:52:00Z/PT1M')
```

This equivalent pattern specifies separate expressions:

```
every timer:schedule(date: '2012-10-01T05:52:00Z', period: 1 minute)
```

When the observer fires, the pattern subexpression becomes permanently false and the runtime does not restart the observer.

7.6.5.5. Scheduling a Callback to Occur Periodically (Repeating)

To instruct the runtime to observe a period starting from the current runtime time and repeatedly thereafter anchored to current runtime time, provide a number of repetitions and a period (see synopsis provided earlier), like this:

```
repetitions/period
```

```
timer:schedule(iso: 'R2/PT1M')
```

When time advances to the current runtime time plus the specified period, the pattern subexpression fires for the first time. Repeatedly when time advances to the current runtime time plus a multiple of the specified period, the pattern subexpression fires, up to the number of repetitions specified (if any).

This pattern specifies a repetition of two. Assuming the current runtime time is 2012-10-01 at 5:52:00 (UTC), it fires when time reaches 5:53:00 and again when time reaches 5:54:00:

```
every timer:schedule(iso: 'R2/PT1M')
```

This equivalent pattern specifies separate expressions:

```
every timer:schedule(repetitions: 2, period: 1 minute)
```

All schedule computations are relative to (i.e. anchored to) current runtime time at observer start. Once the number of repetitions is reached relative to the current runtime time at observer start, the pattern subexpression becomes permanently false and the runtime does not restart the observer.



Note

Please specify the `every` operator for repeating schedules.

7.6.5.6. Scheduling a Callback to Occur Periodically Starting From a Given Date (Repeating)

To instruct the runtime to observe a period starting from a given date and repeatedly thereafter anchored to the provide date, provide a number of repetitions and a date and a period (see synopsis provided earlier), like this:

```
repetitions/date/period
```


When time advances to the date, the pattern subexpression fires for the first time. You may specify a date older than current runtime time as an anchor. Repeatedly when time advances to the date plus a multiple of the specified period, the pattern subexpression fires, up to the number of repetitions specified (if any).

This pattern specifies a repetition of two. The pattern fires when time reaches 2012-10-01 at 5:52:00 (UTC) and again when time reaches 5:53:00.

```
every timer:schedule(iso: 'R2/2012-10-01T05:52:00Z/PT1M')
```

This equivalent pattern specifies separate expressions:

```
every timer:schedule(repetitions: 2, date:'2012-10-01T05:52:00Z', period: 1
  minute)
```

All schedule computations are relative to (i.e. anchored to) the provided date. Once the number of repetitions is reached relative to the provided date, the pattern subexpression becomes permanently false and the runtime does not restart the observer.



Note

Please specify the `every` operator for repeating schedules.

7.6.5.7. Additional Usage Examples

The pattern below outputs every `MyEvent` event after the `MyEvent` arrived and upon the next round 15 seconds:

```
select * from pattern[every e=MyEvent -> timer:schedule(iso:
  'R/1980-01-01T00:00:00Z/PT15S')]
```

Assuming a `MyEvent` event arrives on 2012-10-01 at 5:51:07 the output for that event occurs at 5:51:15.

All parameters can be expressions. The `date` parameter could, for example, be used with `current_timestamp` to compute a schedule:

```
select * from pattern[date: current_timestamp.withTime(9, 0, 0, 0)]
```

The above statement fires only at 9am and not after 9am on the same day (one repetition).

7.6.5.8. Samples With Equivalent EPL

The following EPL is equivalent:

```
select * from pattern[every timer:schedule(iso: 'R2/2008-03-01T13:00:00Z/P1Y2M10DT2H30M')]
```

```
select * from pattern[every (timer:schedule(iso: '2008-03-01T13:00:00Z') or
timer:schedule(iso: '2009-05-11T15:30:00Z'))]
```

```
select * from pattern[every (timer:schedule(iso: '2008-03-01T13:00:00Z') or
timer:schedule(iso: '2008-03-01T13:00:00Z/P1Y2M10DT2H30M'))]
```

7.6.5.9. Implementation Notes

Your environment should have the JAXB date parser available. The runtime uses `javax.xml.datatype.DatatypeFactory.newInstance().newXMLGregorianCalendar(dateText).toGregorianCalendar()` for date parsing.

7.7. Event Pattern Walkthrough

This walkthrough discusses the following pattern:

```
every a>LoginEvent -> (timer:interval(1 min) and not
LogoutEvent(userId=a.userId))]
```

This pattern detects when a `LoginEvent` is not followed by a `LogoutEvent` arriving within 1 minute of the `LoginEvent`.

The runtime parses the pattern expression and builds an expression tree. At the root of the expression tree, for this specific pattern, is the followed-by (`->`) operator as followed-by has the lowest precedence (see precedence).

The pattern expression tree looks like this.

```
Followed-by operator (->)
|
| ---- Every
|     |
|     | ---- a>LoginEvent
```

```

|
| ---- And
|     |
|     | ---- timer:interval(1 min)
|     |
|     | ---- Not
|     |     |
|     |     | ---- LogoutEvent(userId=a.userId)

```

The followed-by (\rightarrow) operator has two subexpressions that it manages, the `Every` expression that itself has the `a>LoginEvent` subexpression as a child, and the `And` expression that itself has two subexpressions as children.

When the runtime activates a pattern or pattern subexpression, it activates it from a top-down direction. In this example the runtime activates the followed-by (\rightarrow) expression. The followed-by expression activates only its own left-most subexpression, which is the `Every` expression. The `Every` expression in turn activates the `a>LoginEvent` subexpression which registers a filter looking for a `LoginEvent` in the global filter index (see [Section 2.18.2, "Filter Indexes"](#)).

In this example, the `And` subexpression and its subexpressions do not get activated. Therefore after this pattern initially activates there is no filter active time looking for `LogoutEvent` event and there is no time tracking of any kind at this point.

Let time t_0 be the time of statement deployment. As discussed, upon deployment of the statement the runtime activates the pattern subexpression `every a>LoginEvent` only. At this time there is 1 active subexpression:

1. `every a>LoginEvent`

As you can see, the tree of active subexpressions (the tree of states) is not the same as the tree of expressions. After the pattern activated there are no active subexpressions (no states) for the `And`-part of the example expression tree.

Let's assume that at time t_1 a `LoginEvent` with user id 10 arrives. This causes the `a>LoginEvent` subexpression to become true. In turn, this causes the `Every` subexpression to become true. This causes the left-hand-side of the followed-by subexpression to become true. This in turn causes activation of the `And` subexpression.

The activation of the `And`-subexpression causes activation of both `timer:interval(1 min)` (from t_1) and the `Not`-subexpression. The activation of the `And`-subexpression registers a filter looking for a `LogoutEvent` that has a user id value of 10 in the global filter index and registers a timer callback for t_1+1 minute.

The runtime does not terminate the subexpression `a>LoginEvent` as it lives under an `Every` operator which means it should keep looking for more `LoginEvent` events.

There now are 2 active subexpressions:

1. `every a=LoginEvent`
2. `timer:interval(t1+1 min) and not LogoutEvent(userId=10)`

Let's assume that at time t_2 another `LoginEvent` with user id 20 arrives (assume $t_2 - t_1 < 1$ min). This again causes the `a=LoginEvent` subexpression to become true. In turn, this causes the `Every` subexpression to become true. This causes the left-hand-side of the followed-by subexpression to become true. This in turn causes activation of the `And` subexpression.

The activation of the `And`-subexpression causes activation of both `timer:interval(1 min)` (from t_2) and the `Not`-subexpression. The activation of the `And`-subexpression registers a filter looking for a `LogoutEvent` that has a user id value of 20 in the global filter index and registers a timer callback for t_2+1 minute.

There now are 3 active subexpressions:

1. `every a=LoginEvent`
2. `timer:interval(t1+1 min) and not LogoutEvent(userId=10)`
3. `timer:interval(t2+1 min) and not LogoutEvent(userId=20)`

In this scenario at time t_3 one minute has passed since t_1 and a matching `LogoutEvent` was not received.

The subexpression `timer:interval(t1+1 min)` becomes true. In turn, this causes the `And`-subexpression to become true as the `Not`-subexpression is already true on start. In turn, this causes the followed-by subexpression to become true. In turn, this causes an output of the pattern match.

The runtime terminates the subexpression `not LogoutEvent(userId=10)` which unregisters the filter looking for a `LogoutEvent` that has a user id value of 10 from the global filter index.

There now are 2 active subexpressions:

1. `every a=LoginEvent`
2. `timer:interval(t2+1 min) and not LogoutEvent(userId=20)`

Let's assume that at time t_4 a `LogoutEvent` with user id 20 arrives (assume $t_4 - t_2 < 1$ min). This again causes the `LogoutEvent(userId=20)` subexpression to become true. In turn, this causes the `Not` subexpression to become permanently false (as `Not` reverses the truth value). This causes the `And`-subexpression to become permanently false. This causes the pattern subexpression `timer:interval(t2+1 min) and not LogoutEvent(userId=20)` to terminate which causes the timer callback t_2+1 minute to unregister.

Finally there is 1 active subexpression remaining:

1. `every a=LoginEvent`

Chapter 8. EPL Reference: Match Recognize

8.1. Overview

Using *match recognize* patterns are defined in the familiar syntax of regular expressions.

The match recognize syntax presents an alternative way to specify pattern detection as compared to the EPL pattern language described in the previous chapter. A comparison of match recognize and EPL patterns is below.

The match recognize syntax is a proposal for incorporation into the SQL standard. It is thus subject to change as the standard evolves and finalizes (it has not finalized yet). Please consult "row-pattern-recogniton-11-public.pdf" for further information.

You may be familiar with regular expressions in the context of finding text of interest in a string, such as particular characters, words, or patterns of characters. Instead of matching characters, match recognize matches sequences of events of interest.

EPL can apply match-recognize patterns in real-time upon arrival of new events in a stream of events (also termed incrementally, streaming or continuous). EPL can also match patterns on-demand via the `iterator` pull-API, if specifying a named window or data window on a stream (tables cannot be used in the `from`-clause with match-recognize). The runtime maintains state for partial pattern matches and match-recognize patterns are therefore stateful constructs.

8.2. Comparison of Match Recognize and EPL Patterns

This section compares pattern detection via match recognize and via the EPL pattern language.

Table 8.1. Comparison Match Recognize to EPL Patterns

Category	EPL Patterns	Match Recognize
Purpose	Pattern detection in sequences of events.	Same.
Standards	Not standardized, similar to Rapide pattern language.	Proposal for incorporation into the SQL standard.
Real-time Processing	Yes.	Yes.
On-Demand query via Iterator	No.	Yes.
Language	Nestable expressions consisting of boolean <code>AND</code> , <code>OR</code> , <code>NOT</code> and time or arrival-	Regular expression consisting of variables each representing conditions on events.

Category	EPL Patterns	Match Recognize
	based constructs such as <code>-></code> (followed-by), <code>timer:within</code> and <code>timer:interval</code> .	
Event Types	An EPL pattern may react to multiple different types of events.	The input is a single type of event (unless used with variant streams).
Data Window Interaction	Disconnected, i.e. an event leaving a data window does not change pattern state.	Connected, i.e. an event leaving a data window removes the event from match selection.
Semantic Evaluation	Truth-value based: A EPL pattern such as <code>(A and B)</code> can fire when a single event arrives that satisfies both A and B conditions.	Sequence-based: A regular expression <code>(A B)</code> requires at least two events to match.
Time Relationship Between Events	The <code>timer:within</code> , <code>timer:interval</code> and <code>NOT</code> operator can expressively search for absence of events or other more complex timing relationships.	Some support for detecting absence of events using the <code>interval</code> clause.
Extensibility	Custom pattern objects, user-defined functions.	User-defined functions, custom aggregation functions.
Memory Use	Likely between 500 bytes to 2k per open sequence, depends on pattern.	Likely between 100 bytes to 1k per open sequence, depends on pattern.

8.3. Syntax

The synopsis is as follows:

```

match_recognize (
  [ partition by partition_expression [, partition_expression] [... ]
  measures measure_expression as col_name [, measure_expression as col_name
] [... ]
  [ all matches ]
  [ after match skip (past last row | to next row | to current row) ]
  pattern ( variable_regular_expr [, variable_regular_expr] [... ] )
  [ interval time_period [or terminated] ]
  [ define variable as variable_condition [, variable
as variable_condition] [... ] ]
)

```

The `match_recognize` keyword starts the match recognize definition and occurs right after the `from` clause in an EPL `select` statement. It is followed by parenthesis that surround the match recognize definition.

`Partition by` is optional and may be used to specify that events are to be partitioned by one or more event properties or expressions. If there is no `Partition by` then all rows of the table constitute a single partition. The regular expression applies to events in the same partition and not across partitions. Further detail on key expressions can be found at [Section 5.2.13, "Composite Keys and Array Values as Keys"](#).

The `measures` clause defines columns that contain expressions over the pattern variables. The expressions can reference partition columns, singleton variables, aggregates as well as indexed properties on the group variables. Each `measure_expression` expression must be followed by the `as` keyword and a `col_name` column name.

The `all matches` keywords are optional and instructs the runtime to find all possible matches. By default matches are ranked and the runtime returns a single match following an algorithm to eliminate duplicate matches, as described below. When specifying `all matches`, matches may overlap and may start at the same row.

The `after match skip` keywords are optional and serve to determine the resumption point of pattern matching after a match has been found. By default the behavior is `after match skip past last row`. This means that after eliminating duplicate matches, the logic skips to resume pattern matching at the next event after the last event of the current match.

The `pattern` component is used to specify a regular expression. The regular expression is built from variable names, and may use quantifiers such as `*`, `+`, `?`, `*?`, `+`, `??`, `{repetition}` and `|` alteration (concatenation is indicated by the absence of any operator sign between two successive items in a pattern).

With the optional `interval` keyword, time period and `or terminated` you can control how long the runtime should wait for further events to arrive that may be part of a matching event sequence, before indicating a match (or matches) (not applicable to on-demand pattern matching).

`Define` is optional and is used to specify the boolean condition(s) that define some or all variable names that are declared in the pattern. A variable name does not require a definition and if there is no definition, the default is a predicate that is always true. Such a variable name can be used to match any row.

8.3.1. Syntax Example

For illustration, the examples in this chapter use the `TemperatureSensorEvent` event. Each event has 3 properties: the `id` property is a unique event id, the `device` is a sensor device number and the `temp` property is a temperature reading. An event described as `"id=E1, device=1, temp=100"` is a `TemperatureSensorEvent` event with id "E1" for device 1 with a reading of 100.

This example statement looks for two `TemperatureSensorEvent` events from the same device, directly following each other, that indicate a jump in temperature of 10 or more between the two events:

```

select * from TemperatureSensorEvent
match_recognize (
  partition by device
  measures A.id as a_id, B.id as b_id, A.temp as a_temp, B.temp as b_temp
  pattern (A B)
  define
    B as Math.abs(B.temp - A.temp) >= 10
)

```

The `partition by` ensures that the regular expression applies to sequences of events from the same device.

The `measures` clause provides a list of properties or expressions to be selected from matching events. Each property name must be prefixed by the variable name.

In the `pattern` component the statement declares two variables: `A` and `B`. As a matter of convention, variable names are uppercase characters.

The `define` clause specifies no condition for variable `A`. This means that `A` defaults to true and any event matches `A`. Therefore, the pattern can start at any event.

The pattern `A B` indicates to look for a pattern in which an event that fulfills the condition for variable `A` is immediately followed by an event that fulfills the condition for variable `B`. A pattern thus defines the sequence (or sequences) of conditions that must be met for the pattern to fire.

Below table is an example sequence of events and output of the pattern:

Table 8.2. Example

Arrival Time	Tuple	Output Event (if any)
1000	id=E1, device=1, temp=50	
2000	id=E2, device=1, temp=55	
3000	id=E3, device=1, temp=60	
4000	id=E4, device=1, temp=70	a_id = E3, b_id = E4, a_temp = 60, b_temp = 70
5000	id=E5, device=1, temp=85	
6000	id=E6, device=1, temp=85	
7000	id=E7, device=2, temp=100	

At time 4000 when event with id `E4` (or event `E4` or just `E4` for short) arrives the pattern matches and produces an output event. Matching then skips past the last event of the current match (`E4`) and begins at event `E5` (the default skip clause is past last row). Therefore events `E4` and `E5` do not constitute a match.

At time 3000, events `E1` and `E3` do not constitute a match as `E3` does not immediately follow `E1`, since there is `E2` in between.

At time 7000, event E7 does not constitute a match as it is from device 2 and thereby not in the same partition as prior events.

8.4. Pattern and Pattern Operators

The `pattern` specifies the pattern to be recognized in the ordered sequence of events in a partition using regular expression syntax. Each variable name in a pattern corresponds to a boolean condition, which is specified later using the `define` component of the syntax. Thus the `pattern` can be regarded as implicitly declaring one or more variable names; the definition of those variable names appears later in the syntax. If a variable is not defined the variable defaults to true.

It is permitted for a variable name to occur more than once in a pattern, for example `pattern (A B A)`.

8.4.1. Operator Precedence

The operators at the top of this table take precedence over operators lower on the table.

Table 8.3. Match Recognize Regular Expression Operator Precedence

Precedence	Operator	Description	Example
1	Grouping	()	(A B)
2	Quantifiers	* + ? {repetition}	A* B+ C?
3	Concatenation	(no operator)	A B
4	Alternation		A B

If you are not sure about the precedence, please consider placing parenthesis () around your groups. Parenthesis can also help make expressions easier to read and understand.

8.4.2. Concatenation

The concatenation is indicated by the absence of any operator sign between two successive items in a pattern.

In below pattern the two items A and B have no operator between them. The pattern matches for any event immediately followed by an event from the same device that indicates a jump in temperature over 10:

```
select * from TemperatureSensorEvent
```

```

match_recognize (
  partition by device
  measures A.id as a_id, B.id as b_id, A.temp as a_temp, B.temp as b_temp
  pattern (A B)
  define
    B as Math.abs(B.temp - A.temp) >= 10
)

```

Please see the [Section 8.3.1, “Syntax Example”](#) for a sample event sequence.

8.4.3. Alternation

The alternation operator is a vertical bar (|).

The alternation operator has the lowest precedence of all operators. It tells the runtime to match either everything to the left of the vertical bar, or everything to the right of the vertical bar. If you want to limit the reach of the alternation, you will need to use parentheses for grouping.

This example pattern looks for a sequence of an event with a temperature over 50 followed immediately by either an event with a temperature less than 45 or an event that indicates the temperature jumped by 10 (all for the same device):

```

select * from TemperatureSensorEvent
match_recognize (
  partition by device
  measures A.id as a_id, B.id as b_id, C.id as c_id
  pattern (A (B | C))
  define
    A as A.temp >= 50,
    B as B.temp <= 45,
    C as Math.abs(C.temp - A.temp) >= 10)

```

Below table is an example sequence of events and output of the pattern:

Table 8.4. Example

Arrival Time	Tuple	Output Event (if any)
1000	id=E1, device=1, temp=50	
2000	id=E2, device=1, temp=45	a_id=E1, b_id=E2, c_id=null
3000	id=E3, device=1, temp=46	
4000	id=E4, device=1, temp=48	
5000	id=E5, device=1, temp=50	
6000	id=E6, device=1, temp=60	a_id = E5, b_id = null, c_id=E6

8.4.4. Quantifiers Overview

Quantifiers are postfix operators with the following choices:

Table 8.5. Quantifiers

Quantifier	Meaning
*	Zero or more matches (greedy).
+	One or more matches (greedy).
?	Zero or one match (greedy).
*?	Zero or more matches (reluctant).
+?	One or more matches (reluctant).
??	Zero or one match (reluctant).

Quantifiers that control the number of repetitions are:

Table 8.6. Quantifiers

Quantifier	Meaning
{ <i>n</i> }	Exactly <i>n</i> matches.
{ <i>n</i> , }	<i>n</i> or more matches.
{ <i>n</i> , <i>m</i> }	Between <i>n</i> and <i>m</i> matches (inclusive).
{, <i>m</i> }	Between zero and <i>m</i> matches (inclusive).

Repetition quantifiers can be combined with other quantifiers and grouping. For example `A?*{2}` or `(A B){2}` are valid.

8.4.5. Permutations

To detect patterns that consist of a permutation of variables you may use `match_recognize_permute`. It is possible to express a permutation as alternations but it becomes clumsy when many variables are involved. For example, if all permutations of three variables A B C are needed you could express it as: `(A B C | A C B | B A C | B C A | C A B | C B A)`.

You may use `match_recognize_permute` followed by a comma-separated list of variables, grouping, alternations or concatenations.

The following table outlines sample equivalent permutations.

Table 8.7. Equivalent Pattern Expressions

Pattern	Equivalent
<code>match_recognize_permute(A)</code>	A
<code>match_recognize_permute(A,B)</code>	<code>(A B B A)</code>

Pattern	Equivalent
<code>match_recognize_permute(A,B,C)</code>	<code>A B C A C B B A C B C A C A B C B A</code>
<code>match_recognize_permute((A B), C)</code>	<code>(A B) C C (A B)</code>
<code>A match_recognize_permute(B,C) D</code>	<code>A (B C C B) D</code>
<code>match_recognize_permute(A, match_recognize_permute(B, C))</code>	<code>A (B C C B) (B C C B) A</code>

This sample pattern looks for either an event with temperature less than 100 and then an event with temperature greater or equal to 100, or an event with temperature greater or equal to 100 and then an event with temperature less than 100.

```
select * from TemperatureSensorEvent
match_recognize (
  partition by device
  measures A.id as a_id, B.id as b_id
  pattern (match_recognize_permute(A, B))
  define
    A as A.temp < 100,
    B as B.temp >= 100)
```

An example sequence of events that matches the pattern above is:

Table 8.8. Example

Arrival Time	Tuple	Output Event (if any)
1000	id=E1, device=1, temp=99	
2000	id=E2, device=1, temp=100	a_id = E1, b_id = E2
3000	id=E3, device=1, temp=100	
4000	id=E4, device=1, temp=99	a_id = E4, b_id = E3
5000	id=E5, device=1, temp=98	

8.4.6. Variables Can Be Singleton or Group

A *singleton variable* is a variable in a pattern that does not have a quantifier or has a zero-or-one quantifier (`?` or `??`) and occurs only once in the pattern (except with alteration). In the `measures` clause a singleton variable can be selected as:

```
variableName.propertyName
```

Variables with a zero-or-more or one-or-more quantifier, or variables that occur multiple places in a pattern (except when using alteration), may match multiple events and are *group variables*. In the `measures` clause a group variable must be selected either by providing an index or via any of the aggregation functions, such as `first`, `last`, `count` and `sum`:

```
variableName[index].propertyName
```

```
last(variableName.propertyName)
```

Enumeration methods can also be applied to group variables. An example is provided in [Section 11.4.11, “Match-Recognize Group Variable”](#).

Please find examples of singleton and group variables and example `measures` and `define` clauses below.

8.4.6.1. Additional Aggregation Functions

For group variables all existing aggregation functions can be used and in addition the following aggregation functions may be used (`measures`-clause only):

Table 8.9. Syntax and Results of Aggregate Functions

Aggregate Function	Result
<code>first([all distinct] expression)</code>	Returns the first value.
<code>last([all distinct] expression)</code>	Returns the last value.

8.4.7. Eliminating Duplicate Matches

The execution of match recognize is continuous and real-time by default. This means that every arriving event, or batch of events if using batching, evaluates against the pattern and matches are immediately indicated. Elimination of duplicate matches occurs between all matches of the arriving events (or batch of events) at a given time.

As an alternative, and if your application does not require continuous pattern evaluation, you may use the `iterator` API to perform on-demand matching of the pattern. For the purpose of indicating to the runtime to not generate continuous results, specify the `@Hint('iterate_only')` hint.

When using one-or-more, zero-or-more or zero-or-one quantifiers (`?`, `+`, `*`, `??`, `+?`, `*?`), the output of statement can differ from the output of the on-demand `iterator` execution: The statement will output a match (or multiple matches) as soon as matches are detected at a given time upon arrival of events (not knowing what further events may arrive). The on-demand execution, since it knows all possible events in advance, can determine the longest match(es). Thus elimination of duplicate matches can lead to different results between real-time and on-demand use.

If the `all matches` keywords are specified, then all matches are returned as the result and no elimination of duplicate matches as below occurs.

Otherwise matches to a pattern in a partition are ordered by preferment. Preferment is given to matches based on the following priorities:

1. A match that begins at an earlier row is preferred over a match that begins at a later row.

2. Of two matches matching a greedy quantifier, the longer match is preferred.
3. Of two matches matching a reluctant quantifier, the shorter match is preferred.

After ranking matches by preferment, matches are chosen as follows:

1. The first match by preferment is taken.
2. The pool of matches is reduced as follows based on the SKIP TO clause: If SKIP PAST LAST ROW is specified, all matches that overlap the first match are discarded from the pool. If SKIP TO NEXT ROW is specified, then all matches that overlap the first row of the first match are discarded. If SKIP TO CURRENT ROW is specified, then no matches are discarded.
3. The first match by preferment of the ones remaining is taken.
4. Step 2 is repeated to remove more matches from the pool.
5. Steps 3 and 4 are repeated until there are no remaining matches in the pool.

8.4.8. Greedy or Reluctant

Reluctant quantifiers are indicated by an additional question mark (*?, +?, ??,). Reluctant quantifiers try to match as few rows as possible, whereas non-reluctant quantifiers are greedy and try to match as many rows as possible.

Greedy and reluctant come into play only for match selection among multiple possible matches. When specifying `all matches` there is no difference between greedy and reluctant quantifiers.

Consider the below example. The conditions may overlap: an event with a temperature reading of 105 and over matches both A and B conditions:

```
select * from TemperatureSensorEvent
match_recognize (
  partition by device
  measures A.id as a_id, B.id as b_id
  pattern (A?? B?)
  define
    A as A.temp >= 100
    B as B.temp >= 105)
```

A sample sequence of events and pattern matches:

Table 8.10. Example

Arrival Time	Tuple	Output Event (if any)
1000	id=E1, device=1, temp=99	
2000	id=E2, device=2, temp=106	a_id=null, b_id=E2
3000	id=E3, device=1, temp=100	a_id=E3, b_id=null

As the ? qualifier on condition B is greedy, event E2 matches the pattern and is indicated as a B event by the `measure` clause (and not as an A event therefore `a_id` is null).

8.4.9. Quantifier - One or More (+ and +?)

The one-or-more quantifier (+) must be matched one or more times by events. The operator is greedy and the reluctant version is +?.

In the below example with `pattern (A+ B+)` the pattern consists of two variable names, A and B, each of which is quantified with +, indicating that they must be matched one or more times.

The pattern looks for one or more events in which the temperature is over 100 followed by one or more events indicating a higher temperature:

```
select * from TemperatureSensorEvent
match_recognize (
  partition by device
  measures first(A.id) as first_a, last(A.id) as last_a, B[0].id as b0_id,
  B[1].id as b1_id
  pattern (A+ B+)
  define
  A as A.temp >= 100,
  B as B.temp > A.temp)
```

An example sequence of events that matches the pattern above is:

Table 8.11. Example

Arrival Time	Tuple	Output Event (if any)
1000	id=E1, device=1, temp=99	
2000	id=E2, device=1, temp=100	
3000	id=E3, device=1, temp=100	
4000	id=E4, device=1, temp=101	first_a = E2, last_a = E3, b0_id = E4, b1_id = null
5000	id=E5, device=1, temp=102	

Note that for statements there is no match that includes event E5 since after the pattern matches for E4 the pattern skips to start fresh at E5 (by default skip clause). When performing on-demand matching via `iterator`, event E5 gets included in the match and the output is `first_a = E2`, `last_a = E3`, `b0_id = E4`, `b1_id = E5`.

8.4.10. Quantifier - Zero or More (* and *?)

The zero-or-more quantifier (*) must be matched zero or more times by events. The operator is greedy and the reluctant version is *?.

The pattern looks for a sequence of events in which the temperature starts out below 50 and then stays between 50 and 60 and finally comes over 60:

```
select * from TemperatureSensorEvent
match_recognize (
  partition by device
  measures A.id as a_id, count(B.id) as count_b, C.id as c_id
  pattern (A B* C)
  define
  A as A.temp < 50,
  B as B.temp between 50 and 60,
  C as C.temp > 60)
```

An example sequence of events that matches the pattern above is:

Table 8.12. Example

Arrival Time	Tuple	Output Event (if any)
1000	id=E1, device=1, temp=55	
2000	id=E2, device=1, temp=52	
3000	id=E3, device=1, temp=49	
4000	id=E4, device=1, temp=51	
5000	id=E5, device=1, temp=55	
6000	id=E5, device=1, temp=61	a_id=E3, count_b=2, c_id=E6

8.4.11. Quantifier - Zero or One (? and ??)

The zero-or-one quantifier (?) must be matched zero or one time by events. The operator is greedy and the reluctant version is ??.

The pattern looks for a sequence of events in which the temperature is below 50 and then dips to over 50 and then to under 50 before indicating a value over 55:

```
select * from TemperatureSensorEvent
match_recognize (
  partition by device
  measures A.id as a_id, B.id as b_id, C.id as c_id, D.id as d_id
  pattern (A B? C? D)
  define
  A as A.temp < 50,
  B as B.temp > 50,
  C as C.temp < 50,
  D as D.temp > 55)
```


An example sequence of events that matches the pattern above is:

Table 8.13. Example

Arrival Time	Tuple	Output Event (if any)
1000	id=E1, device=1, temp=44	
2000	id=E2, device=1, temp=49	
3000	id=E3, device=1, temp=51	
4000	id=E4, device=1, temp=49	
5000	id=E5, device=1, temp=56	a_id=E2, b_id=E3, c_id=E4, d_id=E5
6000	id=E5, device=1, temp=61	

8.4.12. Repetition - Exactly N Matches

The exactly-n quantifier ($\{n\}$) must be matched exactly N times. The repetition quantifier can be combined with other non-repetition quantifiers and can be used with grouping.

In the below example the `pattern (A{2})` consists of one variable names, A, quantified with $\{2\}$, indicating that the condition must match exactly two times.

This sample pattern looks for two events in which the temperature is over 100:

```
select * from TemperatureSensorEvent
match_recognize (
  partition by device
  measures A[0].id as a0_id, A[1].id as a1_id
  pattern (A{2})
  define
  A as A.temp >= 100)
```

An example sequence of events that matches the pattern above is:

Table 8.14. Example

Arrival Time	Tuple	Output Event (if any)
1000	id=E1, device=1, temp=99	
2000	id=E2, device=1, temp=100	
3000	id=E3, device=1, temp=100	a0_id = E2, a1_id = E3
4000	id=E4, device=1, temp=101	
5000	id=E5, device=1, temp=102	a0_id = E4, a1_id = E5

The next sample applies the quantifier to a group. This sample pattern looks for a four events in which the temperature is, in sequence, 100, 101, 100 and 101:

```

select * from TemperatureSensorEvent
match_recognize (
  partition by device
  measures A[0].id as a0_id, A[1].id as a1_id
  pattern (A B){2}
  define
  A as A.temp = 100,
  B as B.temp = 101)

```

8.4.13. Repetition - N or More Matches

The quantifier $\{n, \}$ must be matched N or more times. The repetition quantifier can be combined with other non-repetition quantifiers and can be used with grouping.

In the below example the `pattern (A{2,} B)` consists of two variable names, A and B. The condition A must match two or more times and the B condition must match once.

This sample pattern looks for two or more events in which the temperature is over 100 and thereafter an event with a temperature over 102:

```

select * from TemperatureSensorEvent
match_recognize (
  partition by device
  measures A[0].id as a0_id, A[1].id as a1_id, A[2].id as a2_id, B.id as b_id
  pattern (A{2,} B)
  define
  A as A.temp >= 100,
  B as B.temp >= 102)

```

An example sequence of events that matches the pattern above is:

Table 8.15. Example

Arrival Time	Tuple	Output Event (if any)
1000	id=E1, device=1, temp=99	
2000	id=E2, device=1, temp=100	
3000	id=E3, device=1, temp=100	
4000	id=E4, device=1, temp=101	
5000	id=E5, device=1, temp=102	a0_id = E2, a1_id = E3, a2_id = E4, b_id = E5

8.4.14. Repetition - Between N and M Matches

The quantifier $\{n, m\}$ must be matched between N and M times. The repetition quantifier can be combined with other non-repetition quantifiers and can be used with grouping.

In the below example the `pattern (A{2,3} B)` consists of two variable names, A and B. The condition A must match two or three times and the B condition must match once.

This sample pattern looks for two or three events in which the temperature is over 100 and thereafter an event with a temperature over 102:

```
select * from TemperatureSensorEvent
match_recognize (
  partition by device
  measures A[0].id as a0_id, A[1].id as a1_id, A[2].id as a2_id, B.id as b_id
  pattern (A{2,3} B)
  define
  A as A.temp >= 100,
  B as B.temp >= 102)
```

An example sequence of events that matches the pattern above is:

Table 8.16. Example

Arrival Time	Tuple	Output Event (if any)
1000	id=E1, device=1, temp=99	
2000	id=E2, device=1, temp=100	
3000	id=E3, device=1, temp=100	
4000	id=E4, device=1, temp=101	
5000	id=E5, device=1, temp=102	a0_id = E2, a1_id = E3, a2_id = E4, b_id = E5

8.4.15. Repetition - Between Zero and M Matches

The quantifier `{, m}` must be matched between zero and M times. The repetition quantifier can be combined with other non-repetition quantifiers and can be used with grouping.

In the below example the `pattern (A{, 2} B)` consists of two variable names, A and B. The condition A must match zero, once or twice and the B condition must match once.

This sample pattern looks for between zero and two events in which the temperature is over 100 and thereafter an event with a temperature over 102:

```
select * from TemperatureSensorEvent
match_recognize (
  partition by device
  measures A[0].id as a0_id, A[1].id as a1_id, B.id as b_id
  pattern (A{,2} B)
  define
  A as A.temp >= 100,
```

```
B as B.temp >= 102)
```

An example sequence of events that matches the pattern above is:

Table 8.17. Example

Arrival Time	Tuple	Output Event (if any)
1000	id=E1, device=1, temp=99	
2000	id=E2, device=1, temp=100	
3000	id=E3, device=1, temp=100	
4000	id=E4, device=1, temp=101	
5000	id=E5, device=1, temp=102	a0_id = E3, a1_id = E4, b_id = E5

8.4.16. Repetition Equivalence

The following table outlines sample equivalent patterns.

Table 8.18. Equivalent Pattern Expressions

Expression	Equivalent
Atom Examples	
A{2}	A A
A{2, }	A A A*
A{2, 4}	A A A? A?
A{, 2}	A? A?
Group Examples	
(A B){2}	(A B) (A B)
(A B){2, }	(A B) (A B) (A B)*
(A B){2, 4}	(A B) (A B) (A B)? (A B)?
(A B){, 2}	(A B)? (A B)?
Quantifier Examples	
A+{2, }	A+ A+ A*
A?{2, }	A? A? A*
A+{2, 4}	A+ A+ A* A*
A+{, 2}	A* A*

8.5. Define Clause

Within `define` are listed the boolean conditions that defines a variable name that is declared in the pattern.

A variable name does not require a definition and if there is no definition, the default is a predicate that is always true. Such a variable name can be used to match any row.

The definitions of variable names may reference the same or other variable names as prior examples have shown.

If a variable in your condition expression is a singleton variable, then only individual columns may be referenced. If the variable is not matched by an event, a `null` value is returned.

If a variable in your condition expression is a group variable, then only indexed columns may be referenced. If the variable is not matched by an event, a `null` value is returned.

Aggregation functions are not allowed within expressions of the `define` clause. However `define`-clause expressions can utilize enumeration methods.

8.5.1. The `prev` Operator

The `prev` function may be used in a `define` expression to access columns of the previous row of a variable name. If there is no previous row, the null value is returned.

The `prev` function can accept an optional non-negative integer argument indicating the offset to the previous rows. That argument must be a constant. In this case, the runtime returns the property from the N-th row preceding the current row, and if the row doesn't exist, it returns `null`.

This function can access variables currently defined, for example:

```
Y as Y.price < prev(Y.price, 2)
```

It is not legal to use `prev` with another variable than the one being defined:

```
// not allowed
Y as Y.price < prev(X.price, 2)
```

The `prev` function returns properties of events in the same partition. Also, it returns properties of events according to event order-of-arrival. When using data windows or deleting events from a named window, the remove stream does not remove events from the `prev` function.

The pattern looks for an event in which the temperature is greater or equal 100 and that, relative to that event, has an event preceding it by 2 events that also had a temperature greater or equal 100:

```
select * from TemperatureSensorEvent
match_recognize (
  partition by device
  measures A.id as a_id
  pattern (A)
  define
```

```
A as A.temp > 100 and prev(A.temp, 2) > 100)
```

An example sequence of events that matches the pattern above is:

Table 8.19. Example

Arrival Time	Tuple	Output Event (if any)
1000	id=E1, device=1, temp=98	
2000	id=E2, device=1, temp=101	
3000	id=E3, device=1, temp=101	
4000	id=E4, device=1, temp=99	
5000	id=E5, device=1, temp=101	a_id=E5

8.6. Measures Clause

The `measures` clause defines exported columns that contain expressions over the pattern variables. The expressions can reference partition columns, singleton variables and any aggregation functions including `last` and `first` on the group variables.

Expressions in the `measures` clause must use the `as` keyword to assign a column name.

If a variable is a singleton variable then only individual columns may be referenced, not aggregates. If the variable is not matched by an event, a `null` value is returned.

If a variable is a group variable and used in an aggregate, then the aggregate is performed over all rows that have matched the variable. If a group variable is not in an aggregate function, its variable name must be post-fixed with an index. See [Section 8.4.6, “Variables Can Be Singleton or Group”](#) for more information.

8.7. Datawindow-Bound

When using `match recognize` with a named window or stream bound by a data window, all events removed from the named window or data window also removed the match-in-progress that includes the event(s) removed.

The next example looks for four sensor events from the same device immediately following each other and indicating a rising temperature, but only events that arrived in the last 10 seconds are considered:

```
select * from TemperatureSensorEvent#time(10 sec)
match_recognize (
partition by device
measures A.id as a_id
pattern (A B C D)
define
```

```
B as B.temp > A.temp,
C as C.temp > B.temp,
D as D.temp > C.temp)
```

An example sequence of events that matches the pattern above is:

Table 8.20. Example

Arrival Time	Tuple	Output Event (if any)
1000	id=E1, device=1, temp=80	
2000	id=E2, device=1, temp=81	
3000	id=E3, device=1, temp=82	
4000	id=E4, device=1, temp=81	
7000	id=E5, device=1, temp=82	
9000	id=E6, device=1, temp=83	
13000	id=E7, device=1, temp=84	a_id=E4, a_id=E5, a_id=E6, a_id=E7
15000	id=E8, device=1, temp=84	
20000	id=E9, device=1, temp=85	
21000	id=E10, device=1, temp=86	
26000	id=E11, device=1, temp=87	

Note that E8, E9, E10 and E11 do not constitute a match since E8 leaves the data window at 25000.

8.8. Interval

With the optional `interval` keyword and time period you can control how long the runtime should wait for further events to arrive that may be part of a matching event sequence, before indicating a match (or matches). This is not applicable to on-demand pattern matching.

The interval timer starts at the arrival of the first event matching a sequence for a partition. When the time interval passes and an event sequence matches, duplicate matches are eliminated and output occurs.

The next example looks for sensor events indicating a temperature of over 100 waiting for any number of additional events with a temperature of over 100 for 5 seconds before indicating a match:

```
select * from TemperatureSensorEvent
match_recognize (
partition by device
measures A.id as a_id, count(B.id) as count_b, first(B.id) as first_b, last(B.id)
as last_b
```

```

pattern (A B*)
interval 5 seconds
define
  A as A.temp > 100,
  B as B.temp > 100)

```

An example sequence of events that matches the pattern above is:

Table 8.21. Example

Arrival Time	Tuple	Output Event (if any)
1000	id=E1, device=1, temp=98	
2000	id=E2, device=1, temp=101	
3000	id=E3, device=1, temp=102	
4000	id=E4, device=1, temp=104	
5000	id=E5, device=1, temp=104	
7000		a_id=E2, count_b=3, first_b=E3, last_b=E5

Notice that the runtime waits 5 seconds (5000 milliseconds) after the arrival time of the first event E2 of the match at 2000, to indicate the match at 7000.

8.9. Interval-or-Terminated

The `interval` keyword and time period can be followed by `or terminated` keywords. When `or-terminated` is specified, the runtime detects when a pattern state cannot match further and outputs matching event sequences collected so far that are otherwise only output at the end of the interval. This is not applicable to on-demand pattern matching.

Same as for `interval` alone, the interval timer starts at the arrival of the first event matching a sequence for a partition. Event arrival can terminate the interval and lead to immediate output as follows:

- When an event arrives in the sequence that causes pattern state to terminate because no further match is possible, the event sequence matches, duplicate matches are eliminated and output occurs immediately (and not at the end of the interval), for the affected event sequence(s).
- Otherwise, when the time interval passes and an event sequence matches, duplicate matches are eliminated and output occurs.

The next example looks for sensor events indicating a temperature of over 100, waiting for any number of additional events with a temperature of over 100 for 5 seconds or when the temperature falls to equal or below 100, whichever happens first:

```

select * from TemperatureSensorEvent
match_recognize (

```



```

partition by device
measures A.id as a_id, count(B.id) as count_b, first(B.id) as first_b, last(B.id)
as last_b
pattern (A B*)
interval 5 seconds or terminated
define
  A as A.temp > 100,
  B as B.temp > 100)

```

An example sequence of events that matches the pattern above is:

Table 8.22. Example

Arrival Time	Tuple	Output Event (if any)
1000	id=E1, device=1, temp=98	
2000	id=E2, device=1, temp=101	
3000	id=E3, device=1, temp=102	
4000	id=E4, device=1, temp=101	
5000	id=E5, device=1, temp=100	a_id=E2, count_b=2, first_b=E3, last_b=E4
7000		(no further output)



Note

`Interval` and `Interval with or terminated` make most sense for open-ended patterns such as, for example, `pattern (A B*)` or `pattern (A B C+)`.

For patterns that terminate when a given event arrives, for example, `pattern (A B)`, an `Interval` in combination with `or terminated` should not be specified and if specified have no effect on matching.

8.10. Use With Different Event Types

You may match different types of events using `match-recognize` by following any of these strategies:

1. Declare a variant stream.
2. Declare a supertype for your event types in the `create schema` syntax.
3. Have your event classes implement a common interface or extend a common base class.

A short example that demonstrates variant streams and `match-recognize` is listed below:

```
// Declare one sample type
```

```
create schema S0 as (col string)
```

```
// Declare second sample type  
create schema S1 as (col string)
```

```
// Declare variant stream holding either type  
create variant schema MyVariantStream as S0, S1
```

```
// Populate variant stream  
insert into MyVariantStream select * from S0
```

```
// Populate variant stream  
insert into MyVariantStream select * from S1
```

```
// Simple pattern to match S0 S1 pairs  
select * from MyVariantType#time(1 min)  
match_recognize (  
  measures A.id? as a, B.id? as b  
  pattern (A B)  
  define  
    A as typeof(A) = 'S0',  
    B as typeof(B) = 'S1'  
)
```

8.11. Limiting Runtime-Wide State Count

The runtime allows setting a maximum number of states in the configuration, applicable to all match-recognize constructs of all statements.

If your application uses match-recognize in multiple statements and all such match-recognize constructs should count towards a total number of states counts, you may consider setting a maximum number of states, runtime-wide, via the configuration described in [Section 17.6.5.1, “Maximum State Count”](#).

When the limit is reached the match-recognize runtime issues a notification object to any condition handlers registered with the runtime as described in [Section 16.11, “Condition Handling”](#). Depending on your configuration the runtime can prevent the allocation of a new state instance, until states are discarded or statements are undeployed or context partitions are terminated.

The notification object issued to condition handlers is an instance of `com.espertech.esper.common.client.hook.condition.ConditionMatchRecognizeStatesMax`. The notification object contains information which statement triggered the limit and the state counts per statement for all statements.

For information on configuration please consult [Section 17.6.5.1, "Maximum State Count"](#).

8.12. Limitations

Please note the following limitations:

1. Subqueries are not allowed in expressions within `match_recognize`.
2. Joins and outer joins are not allowed in the same statement as `match_recognize`.
3. `match_recognize` may not be used within `on-select` or `on-insert` statements.
4. When using `match_recognize` on unbound streams (no data window provided) the `iterator` pull API returns no rows.

Chapter 9. EPL Reference:

Operators

Arithmetic and logical operator precedence follows Java standard arithmetic and logical operator precedence.

9.1. Arithmetic Operators

The below table outlines the arithmetic operators available.

Table 9.1. Syntax and Results of Arithmetic Operators

Operator	Description
+, -	As unary operators they denote a positive or negative expression. As binary operators they add or subtract.
*, /	Multiplication and division are binary operators.
%	Modulo binary operator.

9.2. Logical and Comparison Operators

The below table outlines the logical and comparison operators available.

Table 9.2. Syntax and Results of Logical and Comparison Operators

Operator	Description
NOT	Returns true if the following condition is false, returns false if it is true.
OR	Returns true if either component condition is true, returns false if both are false.
AND	Returns true if both component conditions are true, returns false if either is false.
=, !=, <, >, <=, >=, is, is not	Comparison.

9.2.1. Null-Value Comparison Operators

The `null` value is a special value, see [http://en.wikipedia.org/wiki/Null_\(SQL\)](http://en.wikipedia.org/wiki/Null_(SQL)) [http://en.wikipedia.org/wiki/Null_%28SQL%29] (source:Wikipedia) for more information.

Thereby the following expressions all return `null`:

```
2 != null
```

```
null = null
```

```
2 != null or 1 = 2
```

```
2 != null and 2 = 2
```

Use the `is` and `is not` operators for comparing values that can be null.

The following expressions all return `true`:

```
2 is not null
```

```
null is not 2
```

```
null is null
```

```
2 is 2
```

The compiler allows `is` and `is not` with any expression, not only in connection with the `null` constant.

9.3. Concatenation Operators

The below table outlines the concatenation operators available.

Table 9.3. Syntax and Results of Concatenation Operators

Operator	Description
<code> </code>	Concatenates character strings

9.4. Binary Operators

The below table outlines the binary operators available.

Table 9.4. Syntax and Results of Binary Operators

Operator	Description
&	Bitwise AND if both operands are numbers; conditional AND if both operands are boolean.
	Bitwise OR if both operands are numbers; conditional OR if both operands are boolean.
^	Bitwise exclusive OR (XOR).

9.5. Array Definition Operator

The { and } curly braces are array definition operators following the Java array initialization syntax. Arrays can be useful to pass to user-defined functions or to select array data in a select clause.

Array definitions consist of zero or more expressions within curly braces. Any type of expression is allowed within array definitions including constants, arithmetic expressions or event properties. This is the syntax of an array definition:

```
{ [expression [,expression...]] }
```

Consider the next statement that returns an event property named `actions`. The runtime populates the `actions` property as an array of `java.lang.String` values with a length of 2 elements. The first element of the array contains the `observation` property value and the second element the `command` property value of `RFIDEvent` events.

```
select {observation, command} as actions from RFIDEvent
```

The compiler determines the array type based on the types returned by the expressions in the array definition. For example, if all expressions in the array definition return integer values then the type of the array is `java.lang.Integer[]`. If the types returned by all expressions are compatible number types, such as integer and double values, the runtime coerces the array element values and returns a suitable type, `java.lang.Double[]` in this example. The type of the array returned is `Object[]` if the types of expressions cannot be coerced or return object values. Null values can also be used in an array definition.

Arrays can come in handy for use as parameters to user-defined functions:

```
select * from RFIDEvent where Filter.myFilter(zone, {1,2,3})
```

9.6. Array Element Operator

The [and] brackets are array element access operators following the Java syntax for accessing array elements. They can be used with any expression returning an array including with event types that have array inner events.

There must be a single expression returning an `Integer` or `int`-typed value within square brackets. Any type of expression is allowed as the index expression. The syntax is:

```
[index-expression]
```

Use `size()` to obtain array length (the identifier `length` cannot be used to obtain array length).

This example assumes the `RFIDEvent` has an array-type property called `actions` and an `Integer`-type property called `actionIndex`. The expression returns the value of the `actions` array at index `actionIndex` and array length:

```
select actions[actionIndex], actions.size() from RFIDEvent
```

Array element operators can be chained and can be used with the Dot-Operator in a chain.

Here is an example of a user-defined function returning an array:

```
@name('s0') inlined_class ""
  public class Helper {
    public static int[] toArray(int a, int b) {
      return new int[] {a, b};
    }
  }
""
select Helper.toArray(1,2)[actionIndex] from RFIDEvent
```

If the array input value or the result of the index expression is `null` the operator returns `null`. If the index expression returns an index value greater than the array size the operator raises an exception.

9.7. Dot Operator

You can use the dot operator to invoke a method on the result of an expression. The dot operator uses the dot (`.`) or period character.

The dot-operator is relevant with enumeration methods: Enumeration methods perform tasks such as transformation, filtering, aggregation, sequence-matching, sorting and others on subquery results, named windows, tables, event properties or inputs that are or can be projected to a collection of events, scalar values or objects. See [Chapter 11, EPL Reference: Enumeration Methods](#)

Further the dot-operator is relevant to date-time methods. Date-time methods work on date-time values to add or subtract time periods, set or round calendar fields or query fields, among other tasks. See [Chapter 12, EPL Reference: Date-Time Methods](#).

The dot-operator is also relevant to spatial methods and the use of spatial indexes. See [Chapter 20, EPL Reference: Spatial Methods and Indexes](#).

This section only describes the dot-operator in relation to property instance methods, the special `get` and `size` indexed-property methods and duck typing.

The synopsis for the dot operator is as follows

```
expression.method([parameter [...]]).method(...)[...]
```

The expression to evaluate by the dot operator is in parenthesis. After the dot character follows the method name and method parameters in parenthesis.

You may use the dot operator when your expression returns an object that you want to invoke a method on. The dot operator allows duck typing and convenient array and collection access methods.

This example statement invokes the `getZones` method of the RFID event class by referring to the stream name assigned in the `from`-clause:

```
select rfid.getZones() from RFIDEvent as rfid
```

The `size()` method can be used to return the array length or collection size. Use the `get` method to return the value at a given index for an array or collection.

The next statement selects array size and returns the last array element:

```
select arrayproperty.size() as arraySize,  
       arrayproperty.get((arrayproperty).size - 1) as lastInArray  
from ProductEvent
```

9.7.1. Duck Typing

Duck typing is when the compiler checks for the existence of a method regardless of object class inheritance hierarchies. This can be useful, for example, when a dynamic property returns an object which may or may not provide a method to return the desired value.

Duck typing is disabled in the default configuration to consistently enforce strong typing. Please enable duck typing via compiler expression settings as described in [Section 17.5.6, "Compiler Settings Related to Expression Evaluation"](#).

The statement below selects a dynamic property by name `productDesc` and invokes the `getCounter()` method if that method exists on the property value, or returns the null value if the method does not exist for the dynamic property value of if the dynamic property value itself is null:

```
select (productDesc?).getCounter() as arraySize from ProductEvent
```

9.8. The 'in' Keyword

The `in` keyword determines if a given value matches any value in a list. The syntax of the keyword is:

```
test_expression [not] in (expression [,expression...] )
```

The *test_expression* is any valid expression. The keyword is followed by a list of expressions to test for a match. The optional `not` keyword specifies that the result of the predicate be negated.

The result of an `in` expression is of type `Boolean`. If the value of *test_expression* is equal to any expression from the comma-separated list, the result value is `true`. Otherwise, the result value is `false`.

The next example shows how the `in` keyword can be applied to select certain command types of RFID events:

```
select * from RFIDEvent where command in ('OBSERVATION', 'SIGNAL')
```

The statement is equivalent to:

```
select * from RFIDEvent where command = 'OBSERVATION' or command = 'SIGNAL'
```

Expression may also return an array, a `java.util.Collection` or a `java.util.Map`. Thus event properties that are lists, sets or maps may provide values to compare against *test_expression*.

All expressions must be of the same type or a compatible type to *test_expression*. The `in` keyword may coerce number values to compatible types. If *expression* returns an array, then the component type of the array must be compatible, unless the component type of the array is `Object`.

If *expression* returns an array of component type `Object`, the operation compares each element of the array, applying `equals` semantics.

If *expression* returns a `Collection`, the operation determines if the collection contains the value returned by *test_expression*, applying `contains` semantics.

If *expression* returns a `Map`, the operation determines if the map contains the key value returned by *test_expression*, applying `containsKey` semantics.

Constants, arrays, `Collection` and `Map` expressions or event properties can be used combined.

For example, and assuming a property named 'mySpecialCmdList' exists that contains a list of command strings:

```
select * from RFIDEvent where command in ( 'OBSERVATION', 'SIGNAL',
mySpecialCmdList)
```

When using prepared statements and substitution parameters with the `in` keyword, make sure to retain the parenthesis. Substitution values may also be arrays, `Collection` and `Map` values:

```
test_expression [not] in ( ? [,?... ] )
```

Note that if there are no successes and at least one right-hand row yields null for the operator's result, the result of the any construct will be null, not false. This is in accordance with SQL's normal rules for Boolean combinations of null values.

9.8.1. 'In' for Range Selection

The `in` keyword can be used to specify ranges, including open, half-closed, half-open and inverted ranges.

Ranges come in the following 4 varieties. The round `()` or square `[]` bracket indicate whether an endpoint is included or excluded. The low point and the high-point of the range are separated by the colon `:` character.

- Open ranges that contain neither endpoint `(low:high)`
- Closed ranges that contain both endpoints `[low:high]`. The equivalent 'between' keyword also defines a closed range.
- Half-open ranges that contain the low endpoint but not the high endpoint `[low:high)`
- Half-closed ranges that contain the high endpoint but not the low endpoint `(low:high]`

The following statement two statements are equivalent: Both statements select orders where the price is in the range of zero and 10000 (endpoints inclusive):

```
select * from OrderEvent where price in [0:10000]
```

```
select * from OrderEvent where price between 0 and 10000
```

The next statement selects order events where the price is greater than 100 and less-or-equal to 2000:

```
select * from OrderEvent where price in (100:2000]
```

Use the `not in` keywords to specify an inverted range.

The following statement selects an inverted range by selecting all order events where the price is less than zero or the price is greater or equal to 10000:

```
select * from OrderEvent where price not in (0:10000]
```

In case the value of low endpoint is less than the value of high endpoint the `in` operator reverses the range.

The following two statements are also equivalent:

```
select * from OrderEvent where price in [10000:0]
```

```
select * from OrderEvent where price >= 0 and price <= 1000
```

9.9. The 'Between' Keyword

The `between` keyword specifies a range to test. The syntax of the keyword is:

```
test_expression [not] between begin_expression and end_expression
```

The *test_expression* is any valid expression and is the expression to test for in the range defined by *begin_expression* and *end_expression*. The `not` keyword specifies that the result of the predicate be negated.

The result of a `between` expression is of type `Boolean`. If the value of *test_expression* is greater than or equal to the value of *begin_expression* and less than or equal to the value of *end_expression*, the result is `true`.

The next example shows how the `between` keyword can be used to select events with a price between 55 and 60 (endpoints inclusive).

```
select * from StockTickEvent where price between 55 and 60
```

The equivalent expression without `between` is:

```
select * from StockTickEvent where price >= 55 and price <= 60
```

And also equivalent to:

```
select * from StockTickEvent where price between 60 and 55
```

While the `between` keyword always includes the endpoints of the range, the `in` operator allows finer control of endpoint inclusion.

In case the value of *begin_expression* is less than the value of *end_expression* the `between` operator reverses the range.

The following two statements are also equivalent:

```
select * from StockTickEvent where price between 60 and 55
```

```
select * from StockTickEvent where price >= 55 and price <= 60
```

9.10. The 'Like' Keyword

The `like` keyword provides standard SQL pattern matching. SQL pattern matching allows you to use `'_'` to match any single character and `'%'` to match an arbitrary number of characters (including zero characters). SQL patterns are case-sensitive by default. The syntax of `like` is:

```
test_expression [not] like pattern_expression [escape string_literal]
```

The *test_expression* is any valid expression yielding a String-type or a numeric result. The optional `not` keyword specifies that the result of the predicate be negated. The `like` keyword is followed by any valid standard SQL *pattern_expression* yielding a String-typed result. The optional `escape` keyword signals the escape character to escape `'_'` and `'%'` values in the pattern. The default escape character is backslash (`\`).

The result of a `like` expression is of type `Boolean`. If the value of *test_expression* matches the *pattern_expression*, the result value is `true`. Otherwise, the result value is `false`.

An example for the `like` keyword is below.

```
select * from PersonLocationEvent where name like '%Jack%'
```

The escape character can be defined as follows. In this example the where-clause matches events where the suffix property is a single '_' character.

```
select * from PersonLocationEvent where suffix like '!_' escape '!'
```

9.11. The 'Regexp' Keyword

The `regexp` keyword is a form of pattern matching based on regular expressions implemented through the Java `java.util.regex` package. The syntax of `regexp` is:

```
test_expression [not] regexp pattern_expression
```

The *test_expression* is any valid expression yielding a String-type or a numeric result. The optional `not` keyword specifies that the result of the predicate be negated. The `regexp` keyword is followed by any valid regular expression *pattern_expression* yielding a String-typed result.

The result of a `regexp` expression is of type `Boolean`. If the value of *test_expression* matches the regular expression *pattern_expression*, the result value is `true`. Otherwise, the result value is `false`.

An example for the `regexp` keyword is below.

```
select * from PersonLocationEvent where name regexp '.*Jack.*'
```

The `regexp` function matches the entire region against the pattern via `java.util.regex.Matcher.matches()` method. Please consult the Java API documentation for more information or refer to [Regular Expression Flavors](http://www.regular-expressions.info/refflavors.html) [http://www.regular-expressions.info/refflavors.html].

9.12. The 'Any' and 'Some' Keywords

The `any` operator is true if the expression returns true for one or more of the values returned by a list of expressions including array, `Collection` and `Map` values.

The synopsis for the `any` keyword is as follows:

```
expression operator any (expression [,expression... ] )
```

The left-hand expression is evaluated and compared to each expression result using the given operator, which must yield a Boolean result. The result of `any` is "true" if any true result is obtained. The result is "false" if no true result is found (including the special case where the expressions are collections that return no rows).

The *operator* can be any of the following values: `=`, `!=`, `<>`, `<`, `<=`, `>`, `>=`.

The `some` keyword is a synonym for `any`. The `in` construct is equivalent to `= any`.

Expression may also return an array, a `java.util.Collection` or a `java.util.Map`. Thus event properties that are lists, sets or maps may provide values to compare against.

All expressions must be of the same type or a compatible type. The `any` keyword coerces number values to compatible types. If *expression* returns an array, then the component type of the array must be compatible, unless the component type of the array is `Object`.

If *expression* returns an array, the operation compares each element of the array.

If *expression* returns a `Collection`, the operation determines if the collection contains the value returned by the left-hand expression, applying `contains` semantics. When using relationship operators `<`, `<=`, `>`, `>=` the operator applies to each element in the collection, and non-numeric elements are ignored.

If *expression* returns a `Map`, the operation determines if the map contains the key value returned by the left-hand expression, applying `containsKey` semantics. When using relationship operators `<`, `<=`, `>`, `>=` the operator applies to each key in the map, and non-numeric map keys are ignored.

Constants, arrays, `Collection` and `Map` expressions or event properties can be used combined.

The next statement demonstrates the use of the `any` operator:

```
select * from ProductOrder where category != any (categoryArray)
```

The above statement selects `ProductOrder` event that have a `category` field and a `category array`, and returns only those events in which the `category` value is not in the array.

Note that if there are no successes and at least one right-hand row yields null for the operator's result, the result of the `any` construct will be null, not false. This is in accordance with SQL's normal rules for Boolean combinations of null values.

9.13. The 'All' Keyword

The `all` operator is true if the expression returns true for all of the values returned by a list of expressions including array, `Collection` and `Map` values.

The synopsis for the `all` keyword is as follows:

```
expression operator all (expression [,expression... ] )
```

The left-hand expression is evaluated and compared to each expression result using the given operator, which must yield a Boolean result. The result of `all` is "true" if all rows yield true (including the special case where the expressions are collections that returns no rows). The result is "false" if any false result is found. The result is `null` if the comparison does not return false for any row, and it returns `null` for at least one row.

The *operator* can be any of the following values: =, !=, <>, <, <=, >, >=.

The `not in` construct is equivalent to `!= all`.

Expression may also return an array, a `java.util.Collection` or a `java.util.Map`. Thus event properties that are lists, sets or maps may provide values to compare against.

All expressions must be of the same type or a compatible type. The `all` keyword coerces number values to compatible types. If *expression* returns an array, then the component type of the array must be compatible, unless the component type of the array is `Object`.

If *expression* returns an array, the operation compares each element of the array.

If *expression* returns a `Collection`, the operation determines if the collection contains the value returned by the left-hand expression, applying `contains` semantics. When using relationship operators `<`, `<=`, `>`, `>=` the operator applies to each element in the collection, and non-numeric elements are ignored.

If *expression* returns a `Map`, the operation determines if the map contains the key value returned by the left-hand expression, applying `containsKey` semantics. When using relationship operators `<`, `<=`, `>`, `>=` the operator applies to each key in the map, and non-numeric map keys are ignored.

Constants, arrays, `Collection` and `Map` expressions or event properties can be used combined.

The next statement demonstrates the use of the `all` operator:

```
select * from ProductOrder where category = all (categoryArray)
```

The above statement selects `ProductOrder` event that have a `category` field and a `category array`, and returns only those events in which the `category` value matches all values in the array.

9.14. The '`new`' Keyword

The `new` has two uses:

1. Populate a new data structure by evaluating column names and assignment expressions.
2. Instantiate an object of a given class by its constructor.

9.14.1. Using '`new`' to Populate a Data Structure

The `new` data structure operator populates a new data structure by evaluating column names and assignment expressions. This is useful when an expression should return multiple results, for performing a transformation or inside enumeration method lambda expressions.

The synopsis is as follows:


```
new { column_name = [assignment_expression] [,column_name...] }
```

The result of the `new`-operator is a map data structure that contains `column_name` keys and values. If an assignment expression is provided for a column, the operator evaluates the expression and assigns the result to the column name. If no assignment expression is provided, the column name is assumed to be an event property name and the value is the event property value.

The next statement demonstrates the use of the `new` operator:

```
select new {category, price = 2*price} as priceInfo from ProductOrder
```

The above statement returns a single property `priceInfo` for each arriving `ProductOrder` event. The property value is itself a map that contains two entries: For the key name `category` the value of the `category` property and for the key name `price` the value of the `price` property multiplied by two.

The next EPL is an example of the `new` operator within an expression definition and a `case`-statement (one statement not multiple):

```
expression calcPrice {
  productOrder => case
    when category = 'fish' then new { serialize = 'XRAY', priceFactor = 1.01 }
    when category = 'meat' then new { serialize = 'UVL', priceFactor = 1 }
  end
}

select calcPrice(po) as priceDetail from ProductOrder po
```

In above example the expression `calcPrice` returns both a `serialize` string value and a `priceFactor` double value. The expression is evaluated as part of the `select`-clause and the map-type result placed in the `priceDetail` property of output events.

When used within the `case` operator, the operator validates that the data structure is compatible between each case-when result in terms of column names and types. The default value for `else` in case is `null`.

9.14.2. Using 'New' to Instantiate an Object

The `new` instantiation operator can instantiate an object of the given class.

The synopsis is as follows:

```
new class-name([parameter [, parameter [...]])
```

The *class-name* is the name of the class to instantiate an object for. The classname can either be fully-qualified or you can add the package or classname to the imports.

After the classname follow parenthesis and any number of parameter expressions. The compiler expects that the class declares a public constructor matching the number and return types of parameter expressions.

Assuming that `OrderHolder` is an imported class, the next statement demonstrates the use of the `new` operator:

```
select new OrderHolder(po) as orderHolder from ProductOrder as po
```

9.14.3. Using 'New' to Allocate an Array

The `new` instantiation operator can instantiate an array of the given type. The syntax follows common programming language syntax.

The synopsis for one-dimensional arrays is:

```
new class-name[dimension-one]
```

The synopsis for two-dimensional arrays is:

```
new class-name[dimension-one][dimension-two]
```

The *class-name* is the name of the class that is the component type of the array.

For a one-dimensional array provide single square brackets, i.e. [*dimension-one*], wherein the *dimension-one* expression returns an integer value providing the size of the array.

For a two-dimensional array provide two square brackets, i.e. [*dimension-one*][*dimension-two*], wherein the *dimension-one* expression returns an integer value providing the size of the first dimension and the *dimension-two* expression returns an integer value providing the size of the second dimension of the array.

The next EPL allocates a one-dimensional array of size 5 holding `double`-type values, and a two-dimensional array of size 2 by 4 holding `string`-type values:

```
select new double[5] as doubleArrayOneDimensional, new string[2][4] as  
stringArrayTwoDimensional from ProductOrder
```

The operator allocates the respective array without initializing and without setting array element values. Thereby array element values are the JVM default values for the respective type.

In the case that any dimension expression returns a `null` value the runtime throws an `EPException`.

Only one- or two-dimensional arrays are supported by the `new`-operator and otherwise arrays can also be allocated using a single-row function.

9.14.4. Using 'New' to Allocate and Initialize an Array

The `new` instantiation operator can instantiate an array of the given type and initialize its array element values. The syntax follows common programming language syntax.

The synopsis for one-dimensional arrays is:

```
new class-name[] { [expression [,expression...]] }
```

The synopsis for two-dimensional arrays is:

```
new class-name[][] { {[expression [,expression...]]}, [{...}] }
```

The `class-name` is the name of the class that is the component type of the array.

The array initialization consist of zero or more expressions within curly (`{` and `}`) braces. For two-dimensional arrays the curly braces must be nested. The array dimensions are implied by the number of initialization expressions.

This sample EPL allocates a one-dimensional array of size 5 holding `double`-type values and initializes the array to values between 1 and 5, and also allocates and initializes a two-dimensional array of size 2 by 4 holding string-type values:

```
select new double[] {1, 2, 3, 4, 5} as doubleArrayOneDimensional,
       new string[][] {{'0-0', '0-1', '0-2', '0-3'}, {'1-0', '1-1', '1-2', '1-3'}}
as stringArrayTwoDimensional from ProductOrder
```

In the case that the array component type is a primitive type (i.e. `int`, `long`, `double` etc.) and when any expression returns a `null` value the runtime throws an `EPException`.

Only one- or two-dimensional arrays are supported by the `new`-operator and otherwise arrays can also be allocated and initialized using a single-row function.

Chapter 10. EPL Reference: Functions

10.1. Single-Row Function Reference

Single-row functions return a single value for every single result row generated by your statement. These functions can appear anywhere where expressions are allowed.

EPL allows static Java library methods as single-row functions, and also features built-in single-row functions. In addition, EPL allows instance method invocations on named streams.

You may also register your own single-row function name with the compiler so that your statements become less cluttered. This is described in detail in [Section 22.2, “Single-Row Function”](#). Single-row functions that return an object can be chained.

The compiler auto-imports the following Java library packages:

- java.lang.*
- java.math.*
- java.text.*
- java.util.*

Thus Java static library methods can be used in all expressions as shown in below example:

```
select symbol, Math.round(volume/1000)
from StockTickEvent#time(30 sec)
```

In general, arbitrary Java class names have to be fully qualified (e.g. java.lang.Math) but EPL provides a mechanism for user-controlled imports of classes and packages as outlined in [Section 17.4.2, “Class and Package Imports”](#).

The below table outlines the built-in single-row functions available.

Table 10.1. Syntax and Results of Single-Row Functions

Single-row Function	Result
<pre>case value when compare_value then result [when compare_value then result ...] [else result] end</pre>	Returns <i>result</i> where the first <i>value</i> equals <i>compare_value</i> .
<pre>case when condition then result</pre>	Returns the <i>result</i> for the first condition that is true.

Single-row Function	Result
<code>[when <i>condition</i> then <i>result</i> ...] [else <i>result</i>] end</code>	
<code>cast(<i>expression</i>, <i>type_name</i>)</code>	Casts the result of an expression to the given type.
<code>coalesce(<i>expression</i>, <i>expression</i> [, <i>expression</i> ...])</code>	Returns the first non-null value in the list, or null if there are no non-null values.
<code>current_evaluation_context()</code>	Returns an object containing the runtime URI, statement name and context partition id (when applicable).
<code>current_timestamp[()]</code>	Returns the current runtime time as a long value. Reserved keyword with optional parenthesis.
<code>exists(<i>dynamic_property_name</i>)</code>	Returns true if the dynamic property exists for the event, or false if the property does not exist.
<code>instanceof(<i>expression</i>, <i>type_name</i> [, <i>type_name</i> ...])</code>	Returns true if the expression returns an object whose type is one of the types listed.
<code>istream()</code>	Returns true if the event is part of the insert stream and false if the event is part of the remove stream.
<code>max(<i>expression</i>, <i>expression</i> [, <i>expression</i> ...])</code>	Returns the highest numeric value among the 2 or more comma-separated expressions.
<code>min(<i>expression</i>, <i>expression</i> [, <i>expression</i> ...])</code>	Returns the lowest numeric value among the 2 or more comma-separated expressions.
<code>prev(<i>expression</i>, <i>event_property</i>)</code>	Returns a property value or all properties of a previous event, relative to the event order within a data window, or according to an optional index parameter (N) the positional Nth-from-last value.
<code>prevtail(<i>expression</i>, <i>event_property</i>)</code>	Returns a property value or all properties of the first event in a data window relative to the event order within a data window, or according to

Single-row Function	Result
	an optional index parameter (N) the positional Nth-from-first value.
<code>prevwindow(event_property)</code>	Returns a single property value of all events or all properties of all events in a data window in the order that reflects the sort order of the data window.
<code>prevcount(event_property)</code>	Returns the count of events (number of data points) in a data window.
<code>prior(expression, event_property)</code>	Returns a property value of a prior event, relative to the natural order of arrival of events
<code>typeof(expression)</code>	If expression is a stream name, returns the event type name of the evaluated event, often used with variant streams. If expression is a property name or expression, returns the name of the expression result type.

10.1.1. The `case` Control Flow Function

The `case` control flow function has two versions. The first version takes a value and a list of compare values to compare against, and returns the result where the first value equals the compare value. The second version takes a list of conditions and returns the result for the first condition that is true.

The return type of a `case` expression is the compatible aggregated type of all return values.

The `case` expression is sometimes used with the `new` operator to return multiple results, see [Section 9.14, “The ‘New’ Keyword”](#).

The example below shows the first version of a `case` statement. It has a `String` return type and returns the value 'one'.

```
select case myexpression when 1 then 'one' when 2 then 'two' else 'more' end
from ...
```

The second version of the `case` function takes a list of conditions. The next example has a `Boolean` return type and returns the boolean value true.

```
select case when l>0 then true else false end from ...
```

10.1.2. The `cast` Function

The `cast` function casts the return type of an expression to a designated type. The function accepts two parameters: The first parameter is the property name or expression that returns the value to be casted. The second parameter is the type to cast to. You can use the `as` keyword instead of comma (,) to separate parameters.

Valid parameters for the second (type) parameter are:

- Any of the Java built-in types: `int`, `long`, `byte`, `short`, `char`, `double`, `float`, `string`, `BigInteger`, `BigDecimal`, where `string` is a short notation for `java.lang.String` and `BigInteger` as well as `BigDecimal` are the classes in `java.math`. The type name is not case-sensitive. Use `[]` for array types. For example:

```
cast(price, double)
```

- The fully-qualified class name of the class to cast to, for example:

```
cast(product as org.myproducer.Product)
```

- For parsing date-time values, any of the date-time types: `date`, `calendar`, `long`, `localdatetime`, `zoneddatetime`, `localdate`, `localtime`. For these types the `dateformat` parameter is required as discussed below.

The `cast` function is often used to provide a type for dynamic (unchecked) properties. Dynamic properties are properties whose type is not known at compile type. These properties are always of type `java.lang.Object`.

The `cast` function as shown in the next statement casts the dynamic "price" property of an "item" in the `OrderEvent` to a double value.

```
select cast(item.price?, double) from OrderEvent
```

The `cast` function returns a `null` value if the expression result cannot be casted to the desired type, or if the expression result itself is `null`.

The `cast` function adheres to the following type conversion rules:

- For all numeric types, the `cast` function utilizes `java.lang.Number` to convert numeric types, if required.
- For casts to `string` or `java.lang.String`, the function calls `toString` on the expression result.
- For casts to other objects including application objects, the `cast` function considers a Java class's superclasses as well as all directly or indirectly-implemented interfaces by superclasses.

The `cast` function supports specifying a parameterized type, for example:

```
select cast(item.listOfAlternativeNames, java.util.List<String>) from OrderEvent
```

10.1.2.1. The `Cast` Function For Parsing Dates

The `cast` function can parse string-type date-time values to long-type milliseconds, `Date`, `Calendar`, `LocalDateTime`, `ZonedDateTime`, `LocalDate` and `LocalTime` objects.

You must provide the `dateFormat` named parameter as the last parameter to the `cast` function. The `dateFormat` parameter expression must return a `String`-typed value, a `SimpleDateFormat`-type value or a `DateTimeFormatter`-type value. Return a `SimpleDateFormat` for `long/Date/Calendar`. Return a `DateTimeFormatter` for `LocalDateTime/ZonedDateTime/LocalDate/LocalTime`.

The next EPL outputs the date May 2, 2010 as a `Date`-type value:

```
select cast('20100502', date, dateFormat: 'yyyyMMdd') from OrderEvent
```

You may use date-time methods when `cast` is returning a date-time value. Expressions can be any expression and do not need to be string constants.

You may parse dates that are ISO 8601-formatted dates by specifying `iso` as the date format. The ISO 8601 date format is described in [Section 7.6.5.1.1, “Specifying Dates”](#).

For example, assuming the `orderDate` property is a ISO 8601 formatted date, the runtime can convert it to a long millisecond value like this:

```
select cast(orderDate, long, dateFormat: 'iso') from OrderEvent
```

The next table shows the recognized date types available:

Table 10.2. Date Types for Casting/Parsing

Value provided to Cast as the second parameter	Result Type
<code>date, java.util.Date</code>	<code>java.util.Date</code>
<code>calendar, java.util.Calendar</code>	<code>java.util.Calendar</code>
<code>long, java.lang.Long</code>	<code>long</code>
<code>localdatetime, java.time.LocalDateTime</code>	<code>java.time.LocalDateTime</code>
<code>localdate, java.time.LocalDate</code>	<code>java.time.LocalDate</code>
<code>localtime, java.time.LocalTime</code>	<code>java.time.LocalTime</code>

Value provided to Cast as the second parameter	Result Type
<code>zoneddatetime, java.time.ZonedDateTime</code>	<code>java.time.ZonedDateTime</code>

Additional examples are:

```
select                cast(orderDate,                localtime,
dateformat:java.time.format.DateTimeFormatter.ISO_DATE_TIME) from OrderEvent
```

```
select cast(orderDate, calendar, dateformat:SimpleDateFormat.getInstance()) from
OrderEvent
```

10.1.2.2. Casting Arrays

You may add array brackets (`[]`) to the type to indicate that the cast-to type is an array. You may add array brackets with the `primitive` keyword (`[primitive]`) for casting to an array of primitive values.

Some examples are:

```
select cast(string_array, string[]), cast(int_primitive_array, int[primitive]),
        cast(int_boxed_array, int[]), cast(two_dimensional, string[][]),
        cast(object_array, java.lang.Object[]) from MyEvent
```

10.1.3. The `Coalesce` Function

The result of the `coalesce` function is the first expression in a list of expressions that returns a non-null value. The return type is the compatible aggregated type of all return values.

This example returns a String-typed result of value 'foo':

```
select coalesce(null, 'foo') from ...
```

10.1.4. The `Current_Evaluation_Context` Function

The `current_evaluation_context` function takes no parameters and returns expression evaluation contextual information as an object of type `com.espertech.esper.common.client.hook.expr.EPLExpressionEvaluationContext`. The object provides the runtime URI, the statement name and the context partition id of the currently-evaluated expression.

For example:

```
select current_evaluation_context().getRuntimeURI() as runtimeURI from MyEvent
```

The context partition id will be -1 when the statement is not associated to a context.

10.1.5. The `Current_Timestamp` Function

The `current_timestamp` function is a reserved keyword and requires no parameters. The result of the `current_timestamp` function is the `long`-type value of the current runtime time.

The function returns the current runtime timestamp at the time of expression evaluation. When using external-timer events, the function provides the last value of the externally-supplied time at the time of expression evaluation.

This example selects the current runtime time:

```
select current_timestamp from MyEvent
// equivalent to
select current_timestamp() from MyEvent
```

10.1.6. The `Event_Identity_Equals` Function

The `event_identity_equals` function returns a boolean value indicating whether two events are the same event. The function accepts two parameters and both parameters must be a stream name. It validates that the event type of each stream is the same event type.

In a subquery, the function can be used to exclude the currently-arriving event from results, as shown below.

```
select * from OrderEvent as arrivingEvent
  where exists (select * from OrderEvent#time(5) as last5
              where not event_identity_equals(arrivingEvent, last5) and
              arrivingEvent.orderId = last5.orderId)
```

You may also use this function with enumeration methods that process events. The next sample totals up window amounts excluding the current event.

```
select orderId, window(*)
  .aggregate(0d, (result, e) => result + (case when event_identity_equals(oe,
  e) then 0d else e.amount end)) as c0
from OrderEvent#time(10) as oe
```

The function returns `null` when either of the streams have no event.

10.1.7. The `exists` Function

The `exists` function returns a boolean value indicating whether the dynamic property, provided as a parameter to the function, exists on the event. The `exists` function accepts a single dynamic property name as its only parameter.

The `exists` function is for use with dynamic (unchecked) properties. Dynamic properties are properties whose type is not known at compile time. Dynamic properties return a null value if the dynamic property does not exist on an event, or if the dynamic property exists but the value of the dynamic property is null.

The `exists` function as shown next returns true if the "item" property contains an object that has a "serviceName" property. It returns false if the "item" property is null, or if the "item" property does not contain an object that has a property named "serviceName" :

```
select exists(item.serviceName?) from OrderEvent
```

10.1.8. The `grouping` Function

The `grouping` function is a SQL-standard function useful in statements that have a `group by` clause and that utilize one of the `rollup`, `cube` or `grouping sets` keywords. The function can be used only in the `select`-clause, `having`-clause and `order by`-clauses.

The function takes a single expression as a parameter and returns an integer value of zero or one indicating whether a specified expression in a `group-by`-clause is aggregated or not. The function returns 1 for aggregated or 0 for not aggregated.

The `grouping` function can help you distinguish null values returned because of the output row's aggregation level from null values returned by event properties or other expressions.

The parameter expression must match exactly one of the expressions in the `group-by`-clause.

Please see an example in the next section.

10.1.9. The `grouping_id` Function

The `grouping_id` function is a SQL-standard function useful in statements that have a `group by` clause and that utilize one of the `rollup`, `cube` or `grouping sets` keywords. The function can be used only in the `select`-clause, `having`-clause and `order by`-clauses.

The function takes one or more expressions as a parameter and returns an integer value indicating grouping level. The runtime computes the grouping level by taking the results of multiple `grouping` functions and concatenating them into a bit vector (a string of ones and zeros).

Assume a car event that has a property for name, place and number of cars:

```
create schema CarEvent(name string, place string, numcars int)
```

The next EPL computes the total number of cars for each of the following groupings: per name and place, per name, per place and overall.

```
select name, place, sum(numcars), grouping(name), grouping(place),
       grouping_id(name, place)
from CarEvent group by grouping sets((name, place), name, place, ())
```

Assume your application processes a car event with properties like so: `CarEvent={name='skoda', place='france', numcars=100}`.

The runtime outputs 4 rows as shown in the next table:

Table 10.3. Example Output for `Grouping` and `Grouping_id` Functions (CarEvent 1)

name	place	sum(numcars)	grouping(name)	grouping(place)	grouping_id(name, place)
skoda	france	100	0	0	0
skoda	null	100	0	1	1
null	france	100	1	0	2
null	null	100	1	1	3

Assume your application processes a second car event: `CarEvent={name='skoda', place='germany', numcars=75}`.

The runtime outputs 4 rows as shown in the next table:

Table 10.4. Example Output for `Grouping` and `Grouping_id` Functions (CarEvent 2)

name	place	sum(numcars)	grouping(name)	grouping(place)	grouping_id(name, place)
skoda	germany	75	0	0	0
skoda	null	175	0	1	1
null	germany	75	1	0	2
null	null	175	1	1	3

The parameter expressions must match exactly to expressions in the `group-by`-clause.

10.1.10. The `Instance-Of` Function

The `instanceof` function returns a boolean value indicating whether the type of value returned by the expression is one of the given types. The first parameter to the `instanceof` function is an expression to evaluate. The second and subsequent parameters are Java type names.

The function determines the return type of the expression at runtime by evaluating the expression, and compares the type of object returned by the expression to the defined types. If the type of object returned by the expression matches any of the given types, the function returns `true`. If the expression returned `null` or a type that does not match any of the given types, the function returns `false`.

The `instanceof` function is often used in conjunction with dynamic (unchecked) properties. Dynamic properties are properties whose type is not known at compile time.

This example uses the `instanceof` function to select different properties based on the type:

```
select case when instanceof(item, com.mycompany.Service) then serviceName?
  when instanceof(item, com.mycompany.Product) then productName? end
from OrderEvent
```

The `instanceof` function returns `false` if the expression tested by `instanceof` returned `null`.

Valid parameters for the type parameter list are:

- Any of the Java built-in types: `int`, `long`, `byte`, `short`, `char`, `double`, `float`, `string`, where `string` is a short notation for `java.lang.String`. The type name is not case-sensitive. For example, the next function tests if the dynamic "price" property is either of type `float` or type `double`:

```
instanceof(price?, double, float)
```

- The fully-qualified class name of the class to cast to, for example:

```
instanceof(product, org.myproducer.Product)
```

The function considers an event class's superclasses as well as all the directly or indirectly implemented interfaces by superclasses.

10.1.11. The `Istream` Function

The `istream` function returns a boolean value indicating whether within the context of expression evaluation the current event or set of events (joins) are part of the insert stream (`true`) or part of the remove stream (`false`). The function takes no parameters.

Use the `istream` function with data windows and `select istream` and `insert istream` into.

In the following example the `istream` function always returns boolean `true` since no data window is declared:

```
select irstream *, istream() from OrderEvent
```

The next example declares a data window. For newly arriving events the function returns boolean true, for events that expire after 10 seconds the function returns boolean false:

```
select irstream *, istream() from OrderEvent#time(10 sec)
```

The `istream` function returns true for all cases where insert or remove stream does not apply, such as when used in parameter expressions to data windows or in stream filter expressions.

10.1.12. The `Min` and `Max` Functions

The `min` and `max` function take two or more parameters that itself can be expressions. The `min` function returns the lowest numeric value among the 2 or more comma-separated expressions, while the `max` function returns the highest numeric value. The return type is the compatible aggregated type of all return values.

The next example shows the `max` function that has a `Double` return type and returns the value 1.1.

```
select max(1, 1.1, 2 * 0.5) from ...
```

The `min` function returns the lowest value. The statement below uses the function to determine the smaller of two timestamp values.

```
select symbol, min(ticks.timestamp, news.timestamp) as minT
  from StockTickEvent#time(30 sec) as ticks, NewsEvent#time(30 sec) as news
 where ticks.symbol = news.symbol
```

10.1.13. The `Previous` Function

The `prev` function returns the property value or all event properties of a previous event. For data windows that introduce a sort order other than the order of arrival, such as the sorted data window and the time order data window, the function returns the event at the specified position.

The `prev` function is not an aggregation function and therefore does not return results per group when used with `group by`. Please consider the `last`, `lastever` or `first` aggregation functions instead as described in [Section 10.2.2, “Event Aggregation Functions”](#). You must use an aggregation function instead of `prev` when querying a named window or table.

The first parameter to the `prev` function is an index parameter and denotes the *i*-th previous event, in the order established by the data window. If no index is provided, the default index is 1 and the

function returns the previous event. The second parameter is a property name or stream name. If specifying a property name, the function returns the value for the previous event property value. If specifying a stream name, the function returns the previous event underlying object.

This example selects the value of the `price` property of the 2nd-previous event from the current Trade event:

```
select prev(2, price) from Trade#length(10)
```

By using the stream alias in the `previous` function, the next example selects the trade event itself that is immediately previous to the current Trade event

```
select prev(1, trade) from Trade#length(10) as trade
```

Since the `prev` function takes the order established by the data window into account, the function works well with sorted windows.

In the following example the statement selects the symbol of the 3 Trade events that had the largest, second-largest and third-largest volume.

```
select prev(0, symbol), prev(1, symbol), prev(2, symbol)
       from Trade#sort(3, volume desc)
```

The *i*-th previous event parameter can also be an expression returning an Integer-type value. The next statement joins the Trade data window with an `RankSelectionEvent` event that provides a rank property used to look up a certain position in the sorted Trade data window:

```
select prev(rank, symbol) from Trade#sort(10, volume desc), RankSelectionEvent
       unidirectional
```

Use the `prev` function in combination with a grouped data window to access a previous event per grouping criteria.

The example below returns the price of the previous Trade event for the same symbol, or `null` if for that symbol there is no previous Trade event:

```
select prev(1, price) from Trade#groupwin(symbol)#length(2)
```

The `prev` function returns a `null` value if the data window does not currently hold the *i*-th previous event. The example below illustrates this using a time batch window. Here the `prev` function

returns a null value for any events in which the previous event is not in the same batch of events. Note that the `prior` function as discussed below can be used if a null value is not the desired result.

```
select prev(1, symbol) from Trade#time_batch(1 min)
```

An alternative form of the `prev` function allows the index to not appear or appear after the property name if the index value is a constant and not an expression:

```
select prev(1, symbol) from Trade
// ... equivalent to ...
select prev(symbol) from Trade
// ... and ...
select prev(symbol, 1) from Trade
```

The combination of the `prev` function and `#groupwin` returns the property value for a previous event in the given data window group.

The following example returns for each event the current smallest price per symbol:

```
select symbol, prev(0, price) as topPricePerSymbol
from Trade#groupwin(symbol)#sort(1, price asc)
```

10.1.13.1. Restrictions

The following restrictions apply to the `prev` functions and its results:

- The function always returns a null value for remove stream (old data) events.
- The function requires a data window, or `#groupwin` and a data window. See [Section 14.3, “Data Windows”](#) for data windows.

10.1.13.2. Comparison to the `prior` Function

The `prev` function is similar to the `prior` function. The key differences between the two functions are as follows:

- The `prev` function returns previous events in the order provided by the data window, while the `prior` function returns prior events in the order of arrival as posted by a stream's declared windows.
- The `prev` function requires a data window while the `prior` function does not have any such requirement.

- The `prev` function returns the previous event grouped by a criteria by combining the `#groupwin` and a data window. The `prior` function returns prior events posted regardless of data window grouping.
- The `prev` function returns a `null` value for remove stream events, i.e. for events leaving a data window. The `prior` function does not have this restriction.

10.1.14. The `Previous-Tail` Function

The `prevtail` function returns the property value or all event properties of the positional-first event in a data window. For data windows that introduce a sort order other than the order of arrival, such as the sorted data window and the time order data window, the function returns the first event at the specified position.

The `prevtail` function is not an aggregation function and therefore does not return results per group when used with `group by`. Please consider the `first`, `firstever` or `window` aggregation functions instead as described in [Section 10.2.2, “Event Aggregation Functions”](#). You must use an aggregation function instead of `prevtail` when querying a named window or table.

The first parameter is an index parameter and denotes the *i*-th from-first event in the order established by the data window. If no index is provided the default is zero and the function returns the first event in the data window. The second parameter is a property name or stream name. If specifying a property name, the function returns the value for the previous event property value. If specifying a stream name, the function returns the previous event underlying object.

This example selects the value of the `price` property of the first (oldest) event held in the length window:

```
select prevtail(price) from Trade#length(10)
```

By using the stream alias in the `prevtail` function, the next example selects the trade event itself that is the second event held in the length window:

```
select prevtail(1, trade) from Trade#length(10) as trade
```

Since the `prevtail` function takes the order established by the data window into account, the function works well with sorted windows.

In the following example the statement selects the symbol of the 3 Trade events that had the smallest, second-smallest and third-smallest volume.

```
select prevtail(0, symbol), prevtail(1, symbol), prevtail(2, symbol)
from Trade#sort(3, volume asc)
```

The *i*-th previous event parameter can also be an expression returning an Integer-type value. The next statement joins the Trade data window with an `RankSelectionEvent` event that provides a `rank` property used to look up a certain position in the sorted Trade data window:

```
select prevtail(rank, symbol) from Trade#sort(10, volume asc), RankSelectionEvent
  unidirectional
```

The `prev` function returns a `null` value if the data window does not currently holds positional-first or the *N*th-from-first event. For batch data windows the value returned is relative to the current batch.

The following example returns the first and second symbol value in the batch:

```
select prevtail(0, symbol), prevtail(1, symbol) from Trade#time_batch(1 min)
```

An alternative form of the `prevtail` function allows the index to not appear or appear after the property name if the index value is a constant and not an expression:

```
select prevtail(1, symbol) from Trade
// ... equivalent to ...
select prevtail(symbol) from Trade
// ... and ...
select prevtail(symbol, 1) from Trade
```

The combination of the `prevtail` function and `#groupwin` returns the property value for a positional first event in the given data window group.

Let's look at an example. This statement outputs the oldest price per symbol retaining the last 10 prices per symbol:

```
select symbol, prevtail(0, price) as oldestPrice
from Trade#groupwin(symbol)#length(10)
```

10.1.14.1. Restrictions

The following restrictions apply to the `prev` functions and its results:

- The function always returns a `null` value for remove stream (old data) events.
- The function requires a data window, or a `#groupwin` and a data window. See [Section 14.3, “Data Windows”](#) for built-in data windows.

10.1.15. The `Previous-Window` Function

The `prevwindow` function returns property values or all event properties for all events in a data window. For data windows that introduce a sort order other than the order of arrival, such as the sorted data window and the time order data window, the function returns the event data sorted in that order, otherwise it returns the events sorted by order of arrival with the newest arriving event first.

The `prevwindow` function is not an aggregation function and therefore does not return results per group when used with `group by`. Please consider the `window` aggregation function instead as described in [Section 10.2.2, “Event Aggregation Functions”](#). You must use an aggregation function instead of `prevwindow` when querying a named window or table.

The single parameter is a property name or stream name. If specifying a property name, the function returns the value of the event property for all events held by the data window. If specifying a stream name, the function returns the event underlying object for all events held by the data window.

This example selects the value of the `price` property of all events held in the length window:

```
select prevwindow(price) from Trade#length(10)
```

By using the stream alias in the `prevwindow` function, the next example selects all trade events held in the length window:

```
select prevwindow(trade) from Trade#length(10) as trade
```

When used with a data window that introduces a certain sort order, the `prevwindow` function returns events sorted according to that sort order.

The next statement outputs for every arriving event the current 10 underlying trade event objects that have the largest volume:

```
select prevwindow(trade) from Trade#sort(10, volume desc) as trade
```

The `prevwindow` function returns a `null` value if the data window does not currently hold any events.

The combination of the `prevwindow` function and `#groupwin` returns the property value(s) for all events in the given data window group.

This example statement outputs all prices per symbol retaining the last 10 prices per symbol:

```
select symbol, prevwindow(price) from Trade#groupwin(symbol)#length(10)
```

10.1.15.1. Restrictions

The following restrictions apply to the `prev` functions and its results:

- The function always returns a `null` value for remove stream (old data) events.
- The function requires a data window, or `#groupwin` and a data window. See [Section 14.3, “Data Windows”](#) for built-in data windows.

10.1.16. The `Previous-Count` Function

The `prevcount` function returns the number of events held in a data window.

The `prevcount` function is not an aggregation function and therefore does not return results per group when used with `group by`. Please consider the `count(*)` or `countever` aggregation functions instead as described in [Section 10.2, “Aggregation Functions”](#). You must use an aggregation function instead of `prevcount` when querying a named window or table.

The single parameter is a property name or stream name of the data window to return the count for.

This example selects the number of data points for the `price` property held in the length window:

```
select prevcount(price) from Trade#length(10)
```

By using the stream alias in the `prevcount` function the next example selects the count of trade events held in the length window:

```
select prevcount(trade) from Trade#length(10) as trade
```

The combination of the `prevcount` function and `#groupwin` returns the count of events in the given data window group.

This example statement outputs the number of events retaining the last 10 events per symbol:

```
select symbol, prevcount(price) from Trade#groupwin(symbol)#length(10)
```

10.1.16.1. Restrictions

The following restrictions apply to the `prev` functions and its results:

- The function always returns a `null` value for remove stream (old data) events.

- The function requires a data window, or a `#groupwin` and a data window. See [Section 14.3, “Data Windows”](#) for built-in data windows.

10.1.17. The `prior` Function

The `prior` function returns the property value of a prior event. The first parameter is an expression returning a constant integer-typed value that denotes the *i*-th prior event in the natural order of arrival. The second parameter is a property name for which the function returns the value for the prior event. The second parameter is a property name or stream name. If specifying a property name, the function returns the property value for the prior event. If specifying a stream name, the function returns the prior event underlying object.

This example selects the value of the `price` property of the 2nd-prior event to the current Trade event.

```
select prior(2, price) from Trade
```

By using the stream alias in the `prior` function, the next example selects the trade event itself that is immediately prior to the current Trade event

```
select prior(1, trade) from Trade as trade
```

The `prior` function can be used on any event stream and does not require declaring a data window. The function operates on the order of arrival of events by the event stream that provides the events.

The next statement uses a time batch window to compute an average volume for 1 minute of Trade events, posting results every minute. The select-clause employs the `prior` function to select the current average and the average before the current average:

```
select average, prior(1, average)
      from TradeAverages#time_batch(1 min)#uni(volume)
```

10.1.18. The `typeof` Function

The `typeof` function, when parameterized by a stream name, returns the event type name of the evaluated event which can be useful with variant streams. When parameterized by an expression or property name, the function returns the type name of the expression result or `null` if the expression result is null.

In summary, the function determines the return type of the expression at runtime by evaluating the expression and returns the type name of the expression result.

The `typeof` function is often used in conjunction with variant streams. A variant stream is a predefined stream into which events of multiple disparate event types can be inserted. The `typeof` function, when passed a stream name alias, returns the name of the event type of each event in the stream.

The following example elaborates on the use of variant streams with `typeof`. The first statement declares a variant stream `SequencePatternStream`:

```
create variant schema SequencePatternStream as *
```

The next statement inserts all order events and is followed by a statement to insert all product events:

```
insert into SequencePatternStream select * from OrderEvent;
```

```
insert into SequencePatternStream select * from PriceEvent;
```

This example statement returns the event type name for each event in the variant stream:

```
select typeof(sps) from SequencePatternStream as sps
```

The next example statement detects a pattern by utilizing the `typeof` function to find pairs of order event immediately followed by product event:

```
select * from SequencePatternStream match_recognize(  
  measures A as a, B as b  
  pattern (A B)  
  define A as typeof(A) = "OrderEvent",  
         B as typeof(B) = "ProductEvent"  
)
```

When passing a property name to the `typeof` function, the function evaluates whether the property type is event type (a fragment event type). If the property type is event type, the function returns the type name of the event in the property value or `null` if not provided. If the property type is not event type, the function returns the simple class name of the property value.

When passing an expression to the `typeof` function, the function evaluates the expression and returns the simple class name of the expression result value or `null` if the expression result value is null.

This example statement returns the simple class name of the value of the dynamic property `prop` of events in stream `MyStream`, or a `null` value if the property is not found for an event or the property value itself is `null`:

```
select typeof(prop?) from MyStream
```

When using subclasses or interface implementations as event classes or when using Map-event type inheritance, the function returns the event type name provided when the class or Map-type event was registered, or if the event type was not registered, the function returns the fully-qualified class name.

10.2. Aggregation Functions

Aggregation functions are stateful and consider sets of events or value points. The `group by` clause is often used in conjunction with aggregation functions to group the result-set by one or more columns.

Aggregation functions can be a column type for table declarations. This allows easy sharing of aggregated state, co-location of aggregations and other data as well as co-aggregation by multiple statements into the same aggregation state. Please see [Section 6.1.2, “Table Overview”](#) for details.

The EPL language extends the standard SQL aggregation functions by allowing filters and by further useful aggregation functions that can track a data window or compute event rates, for example. Your application may also add its own aggregation function as [Section 22.5, “Aggregation Function”](#) describes.

The EPL language allows each aggregation function to specify its own grouping criteria. Please find further information in [Section 5.6.4, “Specifying Grouping for Each Aggregation Function”](#).

The EPL language allows each aggregation function to specify its own filter criteria. Please find further information in [Section 5.6.5, “Specifying a Filter Expression for Each Aggregation Function”](#).

Aggregation values are always computed incrementally: Insert and remove streams result in aggregation value changes. The exceptions are fire-and-forget queries and joins when using the `unidirectional` keyword. Aggregation functions are optimized to retain the minimal information necessary to compute the aggregated result, and to share aggregation state between eligible other aggregation functions in the same statement so that same-kind aggregation state is never held multiple times unless required.

Most aggregation functions can also be used with unbound streams when no data window is specified. A few aggregation functions require a data window or named window as documented below.

10.2.1. SQL-Standard Functions

The SQL-standard aggregation functions are shown in below table.

Table 10.5. Syntax and Results of SQL-Standard Aggregation Functions

Aggregate Function	Result
<code>avedev([all distinct] expression [, filter_expr])</code>	<p>Mean deviation of the (distinct) values in the expression, returning a value of <code>double</code> type.</p> <p>The optional filter expression limits the values considered for computing the mean deviation.</p>
<code>avg([all distinct] expression [, filter_expr])</code>	<p>Average of the (distinct) values in the expression, returning a value of <code>double</code> type.</p> <p>The optional filter expression limits the values considered for computing the average.</p>
<code>count([all distinct] expression [, filter_expr])</code>	<p>Number of the (distinct) non-null values in the expression, returning a value of <code>long</code> type.</p> <p>The optional filter expression limits the values considered for the count.</p> <p>Further detail on key expressions that return arrays can be found at Section 5.2.13, "Composite Keys and Array Values as Keys".</p>
<code>count(* [, filter_expr])</code>	<p>Number of events, returning a value of <code>long</code> type.</p> <p>The optional filter expression limits the values considered for the count.</p>
<code>max([all distinct] expression)</code>	<p>Highest (distinct) value in the expression, returning a value of the same type as the expression itself returns.</p>
<code>fmax([all distinct] expression, filter_expr)</code>	<p>Use <code>fmax</code> to provide a filter expression that limits the values considered for computing the maximum.</p> <p>Consider using <code>maxby</code> instead if return values must include additional properties.</p>
<code>maxever([all distinct] expression)</code>	<p>Highest (distinct) value - ever - in the expression, returning a value of the same type as the expression itself returns.</p>
<code>fmaxever([all distinct] expression, filter_expr)</code>	<p>Use <code>fmaxever</code> to provide a filter expression that limits the values considered for computing the maximum.</p> <p>Consider using <code>maxbyever</code> instead if return values must include additional properties.</p>

Aggregate Function	Result
<code>median([all distinct] expression [, filter_expr])</code>	<p>Median (distinct) value in the expression, returning a value of double type. Double Not-a-Number (NaN) values are ignored in the median computation.</p> <p>The optional filter expression limits the values considered for computing the median.</p>
<code>min([all distinct] expression)</code>	<p>Lowest (distinct) value in the expression, returning a value of the same type as the expression itself returns.</p> <p>Use <code>fmin</code> to provide a filter expression that limits the values considered for computing the maximum.</p>
<code>fmin([all distinct] expression, filter_expr)</code>	<p>Consider using <code>minby</code> instead if return values must include additional properties.</p>
<code>minever([all distinct] expression)</code>	<p>Lowest (distinct) value - ever - in the expression, returning a value of the same type as the expression itself returns.</p> <p>Use <code>fminever</code> to provide a filter expression that limits the values considered for computing the maximum.</p>
<code>fminever([all distinct] expression, filter_expr)</code>	<p>Consider using <code>minbyever</code> instead if return values must include additional properties.</p>
<code>stddev([all distinct] expression [, filter_expr])</code>	<p>Standard deviation of the (distinct) values in the expression, returning a value of double type.</p> <p>The optional filter expression limits the values considered for computing the standard deviation.</p>
<code>sum([all distinct] expression [, filter_expr])</code>	<p>Totals the (distinct) values in the expression, returning a value of long, double, float or integer type depending on the expression.</p> <p>The optional filter expression limits the values considered for computing the total.</p>

If your application provides double-type values to an aggregation function, avoid using Not-a-Number (NaN) and infinity. Also when using double-type values, round-off errors (or rounding errors) may occur due to double-type precision. Consider rounding your result value to the desired precision.

Each of the aggregation functions above takes an optional filter expression as a parameter. The filter expression must return a boolean-type value and applies to the events considered for the aggregation. If a filter expression is provided, then only if the filter expression returns a value of true does the runtime update the aggregation for that event or combination of events.

Consider the following example, which computes the quantity fraction of buy orders among all orders:

```
select sum(quantity, side='buy') / sum(quantity) as buy_fraction from Orders
```

Use the `fmin` and `fmax` aggregation functions instead of the `min` and `max` aggregation functions when providing a filter expression (the `min` and `max` functions are also single-row functions).

The next example computes the minimum quantity for buy orders and a separate minimum quantity for sell orders:

```
select fmin(quantity, side='buy'), fmin(quantity, side = 'sell') from Orders
```

This sample statement demonstrates specifying grouping criteria for an aggregation function using the `group_by` named parameter. It computes, for the last one minute of orders, the ratio of orders per account compared to all orders:

```
select count(*)/count(*, group_by:()) as ratio from Orders#time(1 min) group
by account
```

10.2.2. Event Aggregation Functions

The event aggregation functions return one or more events or event properties. When used with `group by` the event aggregation functions return one or more events or event properties per group.

The `sorted` and the `window` event aggregation functions require that a data window or named window is declared for the applicable stream. They cannot be used on unbound streams.

The below table summarizes the event aggregation functions available:

Table 10.6. Event Aggregation Functions

Function	Result
<code>first(...)</code>	Returns the first event or an event property value of the first event. Section 10.2.2.1, "First Aggregation Function" .
<code>last(...)</code>	Returns the last event or an event property value of the last event. Section 10.2.2.2, "Last Aggregation Function" .
<code>maxby(criteria)</code>	Returns the event with the highest sorted value according to criteria expressions.

Function	Result
	Section 10.2.2.3, “Maxby Aggregation Function” .
maxbyever(criteria)	Returns the event with the highest sorted value, ever, according to criteria expressions. Section 10.2.2.4, “Maxbyever Aggregation Function” .
minby(criteria)	Returns the event with the lowest sorted value according to criteria expressions. Section 10.2.2.5, “Minby Aggregation Function” .
minbyever(criteria)	Returns the event with the lowest sorted value, ever, according to criteria expressions. Section 10.2.2.6, “Minbyever Aggregation Function” .
sorted(criteria)	Returns events sorted according to criteria expressions. Section 10.2.2.7, “Sorted Aggregation Function” . Also see Section 13.3, “Aggregation Methods for Sorted Aggregations” for methods such as <code>lowerKey</code> or <code>higherKey</code> that operate on <code>sorted</code> aggregation state.
window(...)	Returns all events or all event's property values. Section 10.2.2.8, “Window Aggregation Function” . Also see Section 13.4, “Aggregation Methods for Window Aggregations” for methods such as <code>first</code> or <code>countEvents</code> that operate on <code>window</code> aggregation state.

In connection with named windows and tables, event aggregation functions can also be used in `on-select`, selects with named window or table in the `from` clause, subqueries against named windows or tables and fire-and-forget queries.

The event aggregation functions are often useful in connection with enumeration methods and they can provide input events for enumeration. Please see [Chapter 11, EPL Reference: Enumeration Methods](#) for more information.

When comparing the `last` aggregation function to the `prev` function, the differences are as follows. The `prev` function is not an aggregation function and thereby not sensitive to the presence of `group by`. The `prev` function accesses data window contents directly and respects the sort order of the data window. The `last` aggregation function returns results based on arrival order and tracks data window contents in a separate shared data structure.

When comparing the `first` aggregation function to the `prevtail` function, the differences are as follows. The `prevtail` function is not an aggregation function and thereby not sensitive to the presence of `group by`. The `prevtail` function accesses data window contents directly and

respects the sort order of the data window. The `first` aggregation function returns results based on arrival order and tracks data window contents in a separate shared data structure.

When comparing the `window` aggregation function to the `prevwindow` function, the differences are as follows. The `prevwindow` function is not an aggregation function and thereby not sensitive to the presence of `group by`. The `prevwindow` function accesses data window contents directly and respects the sort order of the data window. The `window` aggregation function returns results based on arrival order and tracks data window contents in a separate shared data structure.

When comparing the `count` aggregation function to the `prevcount` function, the differences are as follows. The `prevcount` function is not an aggregation function and thereby not sensitive to the presence of `group by`.

When comparing the `last` aggregation function to the `nth` aggregation function, the differences are as follows. The `nth` aggregation function does not consider out-of-order deletes (for example with on-delete and sorted windows) and does not revert to the prior expression value when the last event or nth-event was deleted from a data window. The `last` aggregation function tracks the data window and reflects out-of-order deletes.

From an implementation perspective, the `first`, `last` and `window` aggregation functions share a common data structure for each stream. The `sorted`, `minby` and `maxby` aggregation functions share a common data structure for each stream.

10.2.2.1. `first` Aggregation Function

The synopsis for the `first` aggregation function is:

```
first(*|stream.*|value_expression [, index_expression] [,
filter:filter_expression])
```

The `first` aggregation function returns properties of the very first event. When used with `group by`, it returns properties of the first event for each group. When specifying an index expression, the function returns properties of the Nth-subsequent event to the first event, all according to order of arrival.

The first parameter to the function is required and defines the event properties or expression result to return. The second parameter is an optional `index_expression` that must return an integer value used as an index to evaluate the Nth-subsequent event to the first event.

You may specify the wildcard (*) character in which case the function returns the underlying event of the single selected stream. When selecting a single stream you may specify no parameter instead of wildcard. For joins and subqueries you must use the stream wildcard syntax below.

You may specify the stream name and wildcard (*) character in the `stream.*` syntax. This returns the underlying event for the specified stream.

You may specify a `value_expression` to evaluate for the first event. The value expression may not select properties from multiple streams.

The *index_expression* is optional. If no index expression is provided, the function returns the first event. If present, the function evaluates the index expression to determine the value for N, and evaluates the Nth-subsequent event to the first event. A value of zero returns the first event and a value of 1 returns the event subsequent to the first event. You may not specify event properties in the index expression.

The function returns `null` if there are no events or when the index is larger than the number of events held. When used with `group by`, it returns `null` if there are no events for that group or when the index is larger than the number of events held for that group.

To explain, consider the statement below which selects the underlying event of the first sensor event held by the length window of 2 events.

```
select first(*) from SensorEvent#length(2)
```

Assume event E1, event E2 and event E3 are of type `SensorEvent`. When event E1 arrives the statement outputs the underlying event E1. When event E2 arrives the statement again outputs the underlying event E1. When event E3 arrives the statement outputs the underlying event E2, since event E1 has left the data window.

The stream wildcard syntax is useful for joins and subqueries. This example demonstrates a subquery that returns the first `SensorEvent` when a `DoorEvent` arrives:

```
select (select first(se.*) from SensorEvent#length(2) as se) from DoorEvent
```

The following example shows the use of an index expression. The output value for `f1` is the temperature property value of the first event, the value for `f2` is the temperature property value of the second event:

```
select first(temperature, 0) as f1, first(temperature, 1) as f2
from SensorEvent#time(10 sec)
```

You may use dot-syntax to invoke a method on the first event. You may also append a property name using dot-syntax.

10.2.2.2. `last` Aggregation Function

The synopsis for the `last` aggregation function is:

```
last(*|stream.*|value_expression [, index_expression][,
filter:filter_expression])
```

The `last` aggregation function returns properties of the very last event. When used with `group by`, it returns properties of the last event for each group. When specifying an index expression, the function returns properties of the Nth-prior event to the last event, all according to order of arrival.

Similar to the `first` aggregation function described above, you may specify the wildcard (*) character, no parameter or stream name and wildcard (*) character or a *value_expression* to evaluate for the last event.

The *index_expression* is optional. If no index expression is provided, the function returns the last event. If present, the function evaluates the index expression to determine the value for N, and evaluates the Nth-prior event to the last event. A value of zero returns the last event and a value of 1 returns the event prior to the last event. You may not specify event properties in the index expression.

The function returns `null` if there are no events or when the index is larger than the number of events held. When used with `group by`, it returns `null` if there are no events for that group or when the index is larger than the number of events held for that group.

The next statement selects the underlying event of the first and last sensor event held by the time window of 10 seconds:

```
select first(*), last(*) from SensorEvent#time(10 sec)
```

The statement shown next selects the last temperature (`f1`) and the prior-to-last temperature (`f2`) of sensor events in the last 10 seconds:

```
select last(temperature, 0) as f1, select last(temperature, 1) as f2
from SensorEvent#time(10 sec)
```

10.2.2.3. `maxby` Aggregation Function

The synopsis for the `maxby` aggregation function is:

```
maxby(sort_criteria_expression [asc/desc][, sort_criteria_expression [asc/
desc]...][, filter:filter_expression])
```

The `maxby` aggregation function returns the greatest of all events, compared by using criteria expressions. When used with `group by`, it returns the greatest of all events per group.

This example statement returns the sensor id and the temperature of the sensor event that had the highest temperature among all sensor events:

```
select  maxby(temperature).sensorId,  maxby(temperature).temperature  from
SensorEvent
```

The next EPL returns the sensor event that had the highest temperature and the sensor event that had the lowest temperature, per zone, among the last 10 seconds of sensor events:

```
select  maxby(temperature),  minby(temperature)  from  SensorEvent#time(10  sec)
group by zone
```

Your EPL may specify multiple criteria expressions. If the sort criteria expression is descending please append the `desc` keyword.

The following EPL returns the sensor event with the highest temperature and if there are multiple sensor events with the highest temperature the statement returns the sensor event that has the newest timestamp value:

```
select  maxby(temperature asc, timestamp desc)  from  SensorEvent
```

Event properties that are listed in criteria expressions must refer to the same event stream and cannot originate from different event streams.

If your statement does not define a data window and does not refer to a named window, the semantics of `maxby` are the same as `maxbyever`.

10.2.2.4. `Maxbyever` Aggregation Function

The synopsis for the `maxbyever` aggregation function is:

```
maxbyever(sort_criteria_expression [asc/desc][, sort_criteria_expression
[asc/desc]...][, filter:filter_expression])
```

The `maxbyever` aggregation function returns the greatest of all events that ever occurred, compared by using criteria expressions. When used with `group by`, it returns the greatest of all events that ever occurred per group.

Compared to the `maxby` aggregation function the `maxbyever` does not consider the data window or named window contents and instead considers all arriving events.

The next EPL computes the difference, per zone, between the maximum temperature considering all events and the maximum temperature considering only the events in the last 10 seconds:

```
select  maxby(temperature).temperature - maxbyever(temperature).temperature
```



```
from SensorEvent#time(10) group by zone
```

10.2.2.5. `minby` Aggregation Function

The synopsis for the `minby` aggregation function is:

```
minby(sort_criteria_expression [asc/desc][, sort_criteria_expression [asc/
desc]...][, filter:filter_expression])
```

Similar to the `maxby` aggregation function, the `minby` aggregation function returns the lowest of all events, compared by using criteria expressions. When used with `group by`, it returns the lowest of all events per group.

Please review the section on `maxby` for more information.

10.2.2.6. `minbyever` Aggregation Function

Similar to the `maxbyever` aggregation function, the `minbyever` aggregation function returns the lowest of all events that ever occurred, compared by using criteria expressions. When used with `group by`, it returns the lowest of all events per group that ever occurred.

Please review the section on `maxbyever` for more information.

10.2.2.7. `sorted` Aggregation Function

The synopsis for the `sorted` aggregation function is:

```
sorted(sort_criteria_expression [asc/desc][, sort_criteria_expression [asc/
desc]...][, filter:filter_expression])
```

The `sorted` aggregation function maintains a list of events sorted according to criteria expressions. When used with `group by`, it maintains a list of events sorted according to criteria expressions per group.

The `sorted` aggregation offers a number of additional lookup methods such as `lowerKey` or `higherKey`, see [Section 13.3, "Aggregation Methods for Sorted Aggregations"](#).

The sample EPL listed next returns events sorted according to temperature ascending for the same zone:

```
select sorted(temperature) from SensorEvent group by zone
```

Your EPL may specify multiple criteria expressions. If the sort criteria expression is descending please append the `desc` keyword.

Enumeration methods can be useful in connection with `sorted` as the function provides the sorted events as input.

This statement finds the sensor event that when sorted according to temperature is the first sensor event for a Friday timestamp among sensor events for the same zone:

```
select  sorted(temperature).firstOf(v => timestamp.getDayOfWeek()==6)  from
        SensorEvent
```

Event properties that are listed in criteria expressions must refer to the same event stream and cannot originate from different event streams.

If used in a regular select statement, the use of `sorted` requires that your EPL defines a data window for the stream or utilizes a named window.

10.2.2.8. `window` Aggregation Function

The synopsis for the `window` aggregation function is:

```
window(*|stream.*|value_expression [, filter:filter_expression])
```

The `window` aggregation function returns all rows. When used with `group by`, it returns the rows for each group.

The `window` aggregation offers a number of additional lookup methods such as `last` or `listReference`, see [Section 13.4, “Aggregation Methods for Window Aggregations”](#).

Similar to the `first` aggregation function described above, you may specify the wildcard (*) character or stream name and wildcard (*) character or a `value_expression` to evaluate for all events.

The function returns `null` if there are no rows. When used with `group by`, it returns `null` if there are no rows for that group.

The next statement selects the underlying event of all events held by the time window of 10 seconds:

```
select window(*) from SensorEvent#time(10 sec)
```

If used in a regular select statement, the `window` aggregation function requires that your stream is bound by a data window or a named window. You may not use the `window` aggregation function on unbound streams with the exception of fire-and-forget queries or subqueries.

This example statement assumes that the `OrderWindow` named window exists. For each event entering or leaving the `OrderWindow` named window it outputs the total amount removing negative amounts:

```
select window(*).where(v => v.amount > 0).aggregate(0d, (r, v) => r + v.amount)
from OrderWindow
```

10.2.3. Approximation Aggregation Functions

Approximation aggregation functions are aggregations that perform approximate analysis. Compared to the previously-introduced aggregation functions, the functions discussed here have a degree of accuracy and probabilistic behavior.

10.2.3.1. Count-Min Sketch

Count-min sketch (or CM sketch) is a probabilistic sub-linear space streaming algorithm (source: Wikipedia). Count-min sketch computes an approximate frequency, without retaining distinct values in memory, making the algorithm suitable for summarizing very large spaces of distinct values. The estimated count can be used for estimated top-K and estimated heavy-hitters, for example.

The original and detail of the algorithm is described in the paper by Graham Cormode and S. Muthukrishnan. An improved data stream summary: The Count-min sketch and its applications (2004. 10.1016/j.jalgor.2003.12.001).

Count-min sketch can only be used with tables and is not available as an aggregation function other than in a table declaration.

Count-min sketch does not consider events leaving a data window and does not process a remove stream.

10.2.3.1.1. Declaration

The table column type for Count-min sketch is `countMinSketch`.

For example, the next EPL declares a table that holds a Count-min sketch (does not provision a top-K):

```
create table WordCountTable(wordcmts countMinSketch())
```

You can parameterize the algorithm by providing a JSON-format structure to the declaration. The available parameters are all optional:

Table 10.7. Count-min Sketch Parameters

Name	Description
<code>epsOfTotalCount</code>	Specifies the accuracy (number of values counted * accuracy \geq number of errors) of type double. This value defaults to 0.0001.

Name	Description
confidence	Provides the certainty with which you reach the accuracy of type double. The default is 0.99.
seed	A seed value for computing hash codes of type integer. This default is 123456.
topk	The number of top-K values as an integer. If null, the algorithm maintains no top-K list. This value defaults to null (no top-K available).
agent	The agent is an extension API class that can interact with Count-min sketch state and also receives the value objects. The agent defines the type of the values that can be counted. The default agent only allows string-type values and utilizes UTF-16 charset encoding. The default agent is <code>com.espertech.esper.common.client.util.CountMinSketchAgentStringUTF16</code> .

The next example EPL declares all available parameters:

```
create table WordCountTable (wordcms countMinSketch({
  epsOfTotalCount: 0.000002,
  confidence: 0.999,
  seed: 38576,
  topk: 20,
  agent: 'com.mycompany.CountMinSketchCustomAgent '
}))
```

The default for the `topk` parameter is `null`. Thereby the runtime by default does not compute top-K. By specifying a positive integer value for `topk` the algorithm maintains a list of values representing the top estimated counts.

By default, the Count-min sketch group of aggregation functions operates on string-type values only. The aggregation function allows registering an agent that can handle any other type of value objects and that allows overriding behavior. The agent class must implement the interface `com.espertech.esper.common.client.util.CountMinSketchAgent`. Please see the JavaDoc for implementing an agent. The agent API is an extension API and is subject to change between versions.

10.2.3.1.2. Counting Values

The `countMinSketchAdd` function counts value(s). It expects a single parameter expression returning the value(s) to be counted. The function can only be used with statements that utilize `into table` and can accept a `filter: filter` expression as a parameter.

This example EPL counts words:

```
into table WordCountTable select countMinSketchAdd(word) as wordcms from
WordEvent
```

10.2.3.1.3. Estimating Current Count

The `countMinSketchFrequency` function returns an estimated count for a given value. It expects a single parameter expression returning the value(s) for which to estimate and return the long-type count. The function can only be used as a table-access function against a table column that declares the aggregation `countMinSketch`.

The next example EPL returns, when a `EstimateWordCountEvent` event arrives, the estimated frequency of a given word:

```
select          WordCountTable.wordcms.countMinSketchFrequency(word)          from
EstimateWordCountEvent
```

10.2.3.1.4. Obtaining Top-K

The `countMinSketchTopK` function returns top-K. The function expects no parameters. The function can only be used as a table-access function against a table column that declares the aggregation `countMinSketch` and only if the Count-min sketch was parameterized with a non-null `topk` parameter (the default is `null`, see declaration above).

The `countMinSketchTopK` function returns an array of `com.espertech.esper.common.client.util.CountMinSketchTopK`.

The following EPL outputs top-K every 10 seconds:

```
select          WordCountTable.wordcms.countMinSketchTopk()          from          pattern[every
timer:interval(10 sec)]
```

10.2.3.1.5. Agent API Example

We provide a sample agent code that handles String-type values below. The complete code is available for class `CountMinSketchAgentStringUTF16` as part of sources.

```
public class CountMinSketchAgentStringUTF16 implements CountMinSketchAgent {
    public Class[] getAcceptableValueTypes() {
        return new Class[] {String.class};
    }
}
```

```

public void add(CountMinSketchAgentContextAdd ctx) {
    String text = (String) ctx.getValue();
    if (text == null) {
        return;
    }
    byte[] bytes = toBytesUTF16(text);
    ctx.getState().add(bytes, 1); // increase count by 1
}

public Long estimate(CountMinSketchAgentContextEstimate ctx) {
    String text = (String) ctx.getValue();
    if (text == null) {
        return null;
    }
    byte[] bytes = toBytesUTF16(text);
    return ctx.getState().frequency(bytes);
}
}

```

10.2.4. Additional Aggregation Functions

EPL provides the following additional aggregation functions beyond those in the SQL standard:

Table 10.8. Syntax and Results of EPL Aggregation Functions

Aggregate Function	Result
<code>countever(* [, filter_expr])</code> <code>countever(expression [, filter_expr])</code>	<p>The <code>countever</code> aggregation function returns the number of events ever. When used with <code>group by</code> it returns the number of events ever for that group.</p> <p>When used with a data window, the result of the function does not change as data points leave a data window. Use the <code>count(*)</code> or <code>prevcnt</code> function to return counts relative to a data window.</p> <p>The optional filter expression limits the values considered for counting rows. The <code>distinct</code> keyword is not allowed. When an expression is provided instead of wildcard, counts the non-null values.</p> <p>The next example statement outputs the count-ever for sell orders:</p> <pre>select countever(*, side='sell') from Order</pre>

Aggregate Function	Result
<code>firstever(expression filter_expr)</code>	<p data-bbox="614 286 1359 398">[, The <code>firstever</code> aggregation function returns the very first value ever. When used with <code>group by</code> it returns the first value ever for that group.</p> <p data-bbox="614 432 1359 544">When used with a data window, the result of the function does not change as data points leave a data window. Use the <code>first</code> or <code>prevtail</code> function to return values relative to a data window.</p> <p data-bbox="614 577 1359 645">The optional filter expression limits the values considered for retaining the first-ever value.</p> <p data-bbox="614 678 1359 745">The next example statement outputs the first price ever for sell orders:</p> <pre data-bbox="614 790 1359 891">select firstever(price, side='sell') from Order</pre>
<code>lastever(expression filter_expr)</code>	<p data-bbox="614 907 1359 974">[, Returns the last value or last value per group, when used with <code>group by</code>.</p> <p data-bbox="614 1008 1359 1120">This sample statement outputs the total price, the first price and the last price per symbol for the last 30 seconds of events and every 5 seconds:</p> <pre data-bbox="614 1164 1359 1377">select symbol, sum(price), lastever(price), firstever(price) from StockTickEvent#time(30 sec) group by symbol output every 5 sec</pre> <p data-bbox="614 1444 1359 1601">When used with a data window, the result of the function does not change as data points leave a data window (for example when all data points leave the data window). Use the <code>last</code> or <code>prev</code> function to return values relative to a data window.</p> <p data-bbox="614 1635 1359 1702">The optional filter expression limits the values considered for retaining the last-ever value.</p> <p data-bbox="614 1736 1359 1803">The next example statement outputs the last price (ever) for sell orders:</p> <pre data-bbox="614 1848 1359 1926">select lastever(price, side='sell') from Order</pre>

Aggregate Function	Result
<code>leaving([filter:filter_expression])</code>	<p>Returns true when any remove stream data has passed, for use in the <code>having</code> clause to output only when a data window has filled.</p> <p>The <code>leaving</code> aggregation function is useful when you want to trigger output after a data window has a remove stream data point. Use the <code>output after</code> syntax as an alternative to output after a time interval.</p> <p>This sample statement uses <code>leaving()</code> to output after the first data point leaves the data window, ignoring the first datapoint:</p> <pre data-bbox="611 728 1359 902"> select symbol, sum(price) from StockTickEvent#time(30 sec) having leaving() </pre>
<code>nth(expression, N_index [, filter:filter_expression])</code>	<p>Returns the Nth oldest element; If N=0 returns the most recent value. If N=1 returns the value before the most recent value. If N is larger than the events held in the data window for this group, returns null.</p> <p>A maximum N historical values are stored, so it can be safely used to compare recent values in data windows with a large number of events without incurring excessive overhead.</p> <p>As compared to the <code>prev row</code> function, this aggregation function works within the current <code>group by</code> group, see Section 2.15, “Basic Aggregated Statement Types”.</p> <p>This statement outputs every 2 seconds the groups that have new data and their last price and the previous-to-last price:</p> <pre data-bbox="611 1505 1359 1715"> select symbol, nth(price, 1), last(price) from StockTickEvent group by symbol output last every 2 sec </pre>
<code>rate(number_of_seconds [, filter:filter_expression])</code>	<p>Returns an event arrival rate per second over the provided number of seconds, computed based on runtime time.</p> <p>Returns null until events fill the number of seconds. Useful with <code>output snapshot</code> to output a current rate. This function footprint is for use without a data window onto the stream(s).</p>

Aggregate Function	Result
	<p>A sample statement to output, every 2 seconds, the arrival rate per second considering the last 10 seconds of events is shown here:</p> <pre data-bbox="584 430 1390 568">select rate(10) from StockTickEvent output snapshot every 2 sec</pre> <p>The aggregation function retains a runtime timestamp value for each arriving event.</p>
<p><code>rate(timestamp_property[, accumulator]</code> <code>filter:filter_expression)</code></p>	<p>Returns an event arrival rate over the data window including the last remove stream event. The <code>timestamp_property</code> is the name of a long-type property of the event that provides a timestamp value.</p> <p>The first parameter is a property name or expression providing millisecond timestamp values.</p> <p>The optional second parameter is a property or expression for computing an accumulation rate: If a value is provided as a second parameter then the accumulation rate for that quantity is returned (e.g. turnover in dollars per second).</p> <p>This footprint is designed for use with a data window and requires a data window declared onto the stream. Returns null until events start leaving the window.</p> <p>This sample statement outputs event rate for each group (symbol) with fixed sample size of four events (and considering the last event that left). The <code>timestamp</code> event property must be part of the event for this to work.</p> <pre data-bbox="584 1509 1390 1666">select colour, rate(timestamp) as rate from StockTickEvent#groupwin(symbol)#length(4) group by symbol</pre>

Built-in aggregation functions can be disabled via configuration (see [Section 17.5.6.3, “Extended Built-in Aggregation Functions”](#)). A custom aggregation function of the same name as a built-on function may be registered to override the built-in function.

10.3. User-Defined Functions

A user-defined function (UDF) is a single-row function that can be invoked anywhere as an expression itself or within an expression. The function must simply be a public static method of a public class that the classloader can resolve at statement deployment time. The compiler resolves the function reference at compile-time and verifies parameter types.

For information on calling external services via instance method invocation, please see [Section 5.17.5, “Class and Event-Type Variables”](#). For invoking methods on events, please see [Section 5.4.5, “Using the Stream Name”](#)

You may register your own function name for the user-defined function. Please see the instructions in [Section 22.2, “Single-Row Function”](#) for registering a function name for a user-defined single-row function.

A single-row function that has been registered with a function name can simply be referenced as `function_name(parameters)` thus statements can be less cluttered as no class name is required. The compiler also optimizes evaluation of such registered single-row functions when used in filter predicate expressions as described in [Section 22.2.4, “Single-Row Functions in Filter Predicate Expressions”](#).

An example statement that utilizes the `discount` function is shown next (assuming that function has been registered).

```
select discount(quantity, price) from OrderEvent
```

When selecting from a single stream, use the wildcard (*) character to pass the underlying event:

```
select discount(*) from OrderEvent
```

Alternatively use the stream alias or EPL pattern tag to pass an event:

```
select discount(oe) from OrderEvent as oe
```

User-defined functions can also be invoked on instances of an event: Please see [Section 5.4.5, “Using the Stream Name”](#) to invoke event instance methods on a named stream.

Note that user-defined functions (not single-row functions) are candidate for caching their return result if the parameters passed are constants and they are not used chained. Please see below for details and configuration.

The example below assumes a class `MyClass` that exposes a public static method `myFunction` accepting 2 parameters, and returning a numeric type such as `double`.

```
select 3 * com.mycompany.MyClass.myFunction(price, volume) as myValue
```

```
from StockTick#time(30 sec)
```

User-defined functions also take array parameters as this example shows. The section on [Section 9.5, “Array Definition Operator”](#) outlines in more detail the types of arrays produced.

```
select * from RFIDEvent where com.mycompany.rfid.MyChecker.isInZone(zone, {10,
  20, 30})
```

Java class names have to be fully qualified (e.g. `java.lang.Math`) but EPL provides a mechanism for user-controlled imports of classes and packages as outlined in [Section 17.4.2, “Class and Package Imports”](#).

User-defined functions can return any value including `null`, Java objects or arrays. Therefore user-defined functions can serve to transform, convert or map events, or to extract information and assemble further events.

The following statement is a simple pattern that looks for events of type E1 that are followed by events of type E2. It assigns the tags "e1" and "e2" that the function can use to assemble a final event for output:

```
select MyLib.mapEvents(e1, e2) from pattern [every e1=E1 -> e2=E2]
```

User-defined functions may also be chained: If a user-defined function returns an object then the object can itself be the target of the next function call and so on.

Assume that there is a `calculator` function in the `MyLib` class that returns a class which provides the `search` method taking two parameters. The EPL that takes the result of the `calculator` function and that calls the `search` method on the result and returns its return value is shown below:

```
select MyLib.calculator().search(zonevariable, zone) from RFIDEvent]
```

A user-defined function should be implemented thread-safe.

10.3.1. Event Type Conversion via User-Defined Function

A function that converts from one event type to another event type is shown in the next example. The first statement declares a stream that consists of `MyEvent` events. The second statement employs a conversion function to convert `MyOtherEvent` events to events of type `MyEvent`:

```
insert into MyStream select * from MyEvent
insert into MyStream select MyLib.convert(other) from MyOtherEvent as other
```

In the example above, assuming the event classes `MyEvent` and `MyOtherEvent` are Java classes, the static method should have the following footprint:

```
public static MyEvent convert(MyOtherEvent otherEvent)
```

10.3.2. User-Defined Function Result Cache

For user-defined functions that take no parameters or only constants as parameters the runtime automatically caches the return result of the function, and invokes the function only once. This is beneficial to performance if your function indeed returns the same result for the same input parameters.

You may disable caching of return values of user-defined functions via configuration as described in [Section 17.5.6.2, “User-Defined Function or Static Method Cache”](#).

10.3.3. Parameter Matching

EPL follows Java standards in terms of widening, performing widening automatically in cases where widening type conversion is allowed without loss of precision, for both boxed and primitive types.

When user-defined functions are overloaded, the function with the best match is selected based on how well the arguments to a function can match up with the parameters, giving preference to the function that requires the least number of widening conversions.

User-defined functions that can receive an arbitrary number of parameter values can use *varargs*, i.e. can define a function such as `function(T arg1, T... args) {...}`.

Boxing and unboxing of arrays is not supported in UDF as it is not supported in Java. For example, an array of `Integer` and an array of `int` are not compatible types.

When passing the event or underlying event to your method, either declare the parameter to take `EventBean` (i.e. `myfunc(EventBean event)`) or as the underlying event type (i.e. `myfunc(OrderEvent event)`).

When using `{}` array syntax in EPL, the resulting type is always a boxed type: `"{1, 2}"` is an array of `Integer` (and not `int` since it may contain null values), `"{1.0, 2d}"` is an array of `Double` and `"{'A', 'B'"}` is an array of `String`, while `"{1, 'B', 2.0}"` is an array of `Object` (`Object[]`).

10.3.4. Receiving a Context Object

The runtime can pass an object containing contextual information such as statement name, function name, runtime URI and context partition id to your method. The container for this information is `EPLMethodInvocationContext` in package `com.espertech.esper.common.client.hook.expr`. Please declare your method to take `EPLMethodInvocationContext` as the last parameter. The runtime then passes the information along.

A sample method footprint and EPL are shown below:

```
public static double computeSomething(double number, EPLMethodInvocationContext
context) {...}
```

```
select MyLib.computeSomething(10) from MyEvent
```

10.4. Select-Clause `Transpose` Function

The `transpose` function is only valid in the select-clause and indicates that the result of the parameter expression should become the underlying event object of the output event.

The `transpose` function takes a single expression as a parameter. The result object of the parameter expression is subject to transposing as described below.

The function can be useful with `insert into` to allow an object returned by an expression to become the event itself in the output stream.

Any expression returning a Java object can be used with the `transpose` function. Typical examples for expressions are a static method invocation, the result of an enumeration method, a plug-in single row function or a subquery.

The examples herein assume that a single-row function by name `makeEvent` returns an `OrderEvent` instance (a POJO object, not shown).

The following EPL takes the result object of the invocation of the `makeEvent` method (assumed to be an `OrderEvent` instance) and returns the `OrderEvent` instance as the underlying event of the output event:

```
select transpose(makeEvent(oi)) from OrderIndication oi
```

Your select-clause can select additional properties or expressions. In this case the output event underlying object is a pair of the expression result object and the additional properties.

The next EPL also selects the `origin` property of the order indication event. The output event is a pair of the `OrderEvent` instance and a map containing the property name and value of `origin`:

```
select origin, transpose(makeEvent(oi)) from OrderIndication oi
```

If the `transpose` function is not a top-level function, i.e. if it occurs within another expression or within any other clause then the select-clause, the function simply returns the expression result of the parameter expression.

10.4.1. Transpose with Insert-Into

You may insert transposed output events into another stream.

If the stream name in the insert-into clause is already associated to an event type, the compiler checks whether the event type associated to the stream name provided in the insert-into clause matches the event type associated to the object returned by the expression. If the stream name in the insert-into clause is not already associated to an existing event type the compiler associates a new event type using the stream name provided in the insert-into clause.

The type returned by the expression must match the event representation that is defined for the stream, i.e. must be a subtype or implementation of the respective class (POJO, object-array or Map).

For example, the next statement associates the stream name `OrderEvent` with a class:

```
create schema OrderEvent as com.mycompany.OrderEvent
```

A statement can insert into the `OrderEvent` stream the `OrderEvent` instance returned by the `makeEvent` method, as follows:

```
insert into OrderEvent select transpose(makeEvent(oi)) from OrderIndication oi
```

It is not valid to select additional properties or expressions in this case, as they would not be part of the output event. The following is not valid:

```
// not valid
insert into OrderEvent select origin, transpose(makeEvent(oi)) from
OrderIndication oi
```

Chapter 11. EPL Reference:

Enumeration Methods

11.1. Overview

EPL provides enumeration methods that work with lambda expressions to perform common tasks on subquery results, named windows, tables, event properties or inputs that are or can be projected to a collection of events, scalar values or objects.

Enumeration methods are stateless and the use of enumeration methods alone does not cause the runtime to retain any events or other state (with the possible exception of short-lived caching of evaluation results).

A lambda expression is an anonymous expression. Lambda expressions are useful for encapsulating user-defined expressions that are applied to each element in a collection. This section discusses built-in enumeration methods and their lambda expression parameters.

Lambda expressions use the lambda operator `=>`, which is read as "goes to" (`->` may be used and is equivalent). The left side of the lambda operator specifies the lambda expression input parameter(s) (if any) and the right side holds the expression. The lambda expression `x => x * x` is read "x goes to x times x.". Lambda expressions are also used for expression declaration as discussed in [Section 5.2.9, "Expression Declaration"](#).

When writing lambdas, you do not have to specify a type for the input parameter(s) or output result(s) because the compiler can infer all types based on the input and the expression body. So if you are querying an `RFIDEvent`, for example, then the input variable is inferred to be an `RFIDEvent` event, which means you have access to its properties and methods.

The term *element* in respect to enumeration methods means a single event, scalar value or object in a collection that is the input to an enumeration method. The term *collection* means a sequence or group of elements.

The below table summarizes the built-in enumeration methods available:

Table 11.1. Enumeration Methods

Method	Result
<code>aggregate(seed, accumulator lambda)</code>	Aggregate elements by using seed as an initial accumulator value and applying an accumulator expression. Section 11.6.1, "Aggregate" .
<code>allof(predicate lambda)</code>	Return true when all elements satisfy a condition. Section 11.6.2, "AllOf" .
<code>anyof(predicate lambda)</code>	Return true when any element satisfies a condition.

Method	Result
	Section 11.6.3, “AnyOf” .
arrayOf()	Returns an array of the scalar elements. Section 11.6.4, “ArrayOf” .
arrayOf(value-selector lambda)	Returns the array containing each value returned by the value-selector expression when applied to each element. Section 11.6.4, “ArrayOf” .
average()	Computes the average of values obtained from numeric elements. Section 11.6.5, “Average” .
average(projection lambda)	Computes the average of values obtained from elements by invoking a projection expression on each element. Section 11.6.5, “Average” .
countof()	Returns the number of elements. Section 11.6.6, “CountOf” .
countof(predicate lambda)	Returns the number of elements that satisfy a condition. Section 11.6.6, “CountOf” .
distinctOf()	Returns distinct elements according to default hash and equals semantics. Section 11.6.7, “DistinctOf” .
distinctOf(key-selector lambda)	Returns distinct elements according using the key function provided. Section 11.6.7, “DistinctOf” .
except(source)	Produces the set difference of the two collections. Section 11.6.8, “Except” .
firstof()	Returns the first element. Section 11.6.9, “FirstOf” .
firstof(predicate lambda)	Returns the first element that satisfies a condition. Section 11.6.9, “FirstOf” .
groupby(key-selector lambda)	Groups the elements according to a specified key-selector expression. Section 11.6.10, “GroupBy” .

Method	Result
groupby(key-selector lambda, value-selector lambda)	Groups the elements according to a key-selector expression mapping each element to a value according to a value-selector. Section 11.6.10, "GroupBy".
intersect(source)	Produces the set intersection of the two collections. Section 11.6.11, "Intersect".
lastof()	Returns the last element. Section 11.6.12, "LastOf".
lastof(predicate lambda)	Returns the last element that satisfies a condition. Section 11.6.12, "LastOf".
leastFrequent()	Returns the least frequent value among a collection of values. Section 11.6.13, "LeastFrequent".
leastFrequent(transform lambda)	Returns the least frequent value returned by the transform expression when applied to each element. Section 11.6.13, "LeastFrequent".
max()	Returns the maximum value among a collection of elements. Section 11.6.14, "Max".
max(value-selector lambda)	Returns the maximum value returned by the value-selector expression when applied to each element. Section 11.6.14, "Max".
maxby(value-selector lambda)	Returns the element that provides the maximum value returned by the value-selector expression when applied to each element. Section 11.6.15, "MaxBy".
min()	Returns the minimum value among a collection of elements. Section 11.6.14, "Max".
min(value-selector lambda)	Returns the minimum value returned by the value-selector expression when applied to each element. Section 11.6.16, "Min".
minby(value-selector lambda)	Returns the element that provides the minimum value returned by the value-selector expression when applied to each element.. Section 11.6.17, "MinBy".
mostFrequent()	Returns the most frequent value among a collection of values.

Method	Result
	Section 11.6.18, "MostFrequent" .
mostFrequent(transform lambda)	Returns the most frequent value returned by the transform expression when applied to each element. Section 11.6.18, "MostFrequent" .
orderBy()	Sorts the elements in ascending order. Section 11.6.19, "OrderBy and OrderByDesc" .
orderBy(key-selector lambda)	Sorts the elements in ascending order according to a key. Section 11.6.19, "OrderBy and OrderByDesc" .
orderByDesc()	Sorts the elements in descending order. Section 11.6.19, "OrderBy and OrderByDesc" .
orderByDesc(key-selector lambda)	Sorts the elements in descending order according to a key. Section 11.6.19, "OrderBy and OrderByDesc" .
reverse	Reverses the order of elements. Section 11.6.20, "Reverse" .
selectFrom(transform lambda)	Transforms each element resulting in a collection of transformed elements. Section 11.6.21, "SelectFrom" .
sequenceEqual(second)	Determines whether two collections are equal by comparing each element (<code>equals</code> semantics apply). Section 11.6.22, "SequenceEqual" .
sumOf()	Computes the sum from a collection of numeric elements. Section 11.6.23, "SumOf" .
sumOf(projection lambda)	Computes the sum by invoking a projection expression on each element. Section 11.6.23, "SumOf" .
take(numElements)	Returns a specified number of contiguous elements from the start. Section 11.6.24, "Take" .
takeLast(numElements)	Returns a specified number of contiguous elements from the end. Section 11.6.25, "TakeLast" .

Method	Result
<code>takeWhile(predicate lambda)</code>	Returns elements from the start as long as a specified condition is true. Section 11.6.26, "TakeWhile" .
<code>takeWhile((predicate, index) lambda)</code>	Returns elements from the start as long as a specified condition is true, allowing each element's index to be used in the logic of the predicate expression. Section 11.6.26, "TakeWhile" .
<code>takeWhileLast(predicate)</code>	Returns elements from the end as long as a specified condition is true. Section 11.6.27, "TakeWhileLast" .
<code>takeWhileLast(predicate,index) lambda)</code>	Returns elements from the end as long as a specified condition is true, allowing each element's index to be used in the logic of the predicate expression. Section 11.6.27, "TakeWhileLast" .
<code>toMap(key-selector lambda, value-selector lambda)</code>	Returns a Map according to specified key selector and value-selector expressions. Section 11.6.28, "ToMap" .
<code>union(source)</code>	Forms a union of the input elements with source elements. Section 11.6.29, "Union" .
<code>where(predicate lambda)</code>	Filters elements based on a predicate. Section 11.6.30, "Where" .
<code>where((predicate,index) lambda)</code>	Filters elements based on a predicate, allowing each element's index to be used in the logic of the predicate expression. Section 11.6.30, "Where" .

11.2. Example Events

The examples in this section come out of the domain of location report (aka. RFID, asset tracking etc.) processing:

1. The `Item` event is a report of the location of a certain item. An item can be either a piece of luggage or a passenger.
2. The `LocationReport` event contains a list of `Item` items for which it reports location.
3. The `Zone` event describes areas that items may move through.

The examples use example single-row functions for computing the distance (`distance`) and for determining if a location falls within a rectangle (`inrect`) that are not provided by the

EPL language. These example UDF functions are not enumeration methods and are used in statements to provide a sensible example.

The `Item` event contains an `assetId` id, a (x,y) location, a `luggage` flag to indicate whether the item represents a luggage (true) or passenger (false), and the `assetIdPassenger` that holds the asset id of the associated passenger when the item is a piece of luggage.

The `Item` event is defined as follows (access methods not shown for brevity):

```
public class Item {
    String assetId;           // passenger or luggage asset id
    Location location;       // (x,y) location
    boolean luggage;        // true if this item is a luggage piece
    String assetIdPassenger; // if the item is luggage, contains passenger
                             associated
    ...
}
```

The `LocationReport` event contains a list of `Item` items for which it reports events.

The `LocationReport` event is defined as follows:

```
public class LocationReport {
    List<Item> items;
    ...
}
```

The `Zone` event contains a zone name and (x1, y1, x2, y2) rectangle.

The `Zone` event is defined as follows:

```
public class Zone {
    String name;
    Rectangle rectangle;
    ...
}
```

The `Location` object is a nested object to `Item` and provides the current (x,y) location:

```
public class Location {
    int x;
    int y;
    ...
}
```

The `Rectangle` object is a nested object to `Zone` and provides a zone rectangle(x1,y1,x2,y2):

```
public class Rectangle {
    int x1;
    int y1;
    int x2;
    int y2;
    ...
}
```

11.3. How to Use

11.3.1. Syntax

The syntax for enumeration methods is the same syntax as for any chained invocation:

```
input_coll.enum_method_name( [method_parameter [, method_parameter [...]]]
    .[ [enum_method_name(...) [...]] | property_name ]
```

Following the *input_coll* input collection (options outlined below), is the . (dot) operator and the *enum_method_name* enumeration method name. It follows in parenthesis a comma-separated list of method parameter expressions. Additional enumeration methods can be chained thereafter. An event property name can follow for those enumeration methods returning an event-typed (non-scalar) element.

If the method parameter is a lambda expression with a single lambda-parameter, specify the lambda-parameter name followed by the => lambda operator and followed by the expression. The synopsis for use with a single lambda-parameter is:

```
method_parameter: lambda_param => lambda_expression
```

If the method parameter is a lambda expression with two or more lambda-parameters, specify the lambda parameter names in parenthesis followed by the => lambda operator followed by the expression. The synopsis for use with multiple lambda-parameters is:

```
method_parameter: (lambda_param [, lambda_param [...]]) => lambda_expression
```

Generally for lambda expressions, the runtime applies the lambda expression to each element in the input collection. The expression yields a result that, depending on the particular enumeration method, is used for aggregation, as a filter or for output, for example.

11.3.2. Introductory Examples

Let's look at a statement that employs the `where` enumeration method and a lambda expression. This example returns items that have a (x, y) location of (0, 0):

```
select items.where(i => i.location.x = 0 and i.location.y = 0) as zeroloc
```

```
from LocationReport
```

As enumeration methods can be chained, this selection is equivalent:

```
select items.where(i => i.location.x = 0).where(i => i.location.y = 0) as zeroLoc
from LocationReport
```

According to above statement the runtime outputs in field `zeroLoc` a collection of `Item` objects matching the condition.

The `where` enumeration method has a second version that has two lambda-parameters. The second parameter is the name of the index property which represents the current index of the element within the collection.

This sample statement returns a collection that consists of the first 3 items. This sample statement does not use the `item` lambda parameter:

```
select items.where( (item, indexElement) => indexElement < 3) as firstThreeItems
from LocationReport
```

11.3.3. Index and Size Formal Parameters

All enumeration methods that have a lambda expression as a parameter allow the lambda expression to declare index and size formal parameters. Index is always the second formal parameter. Size is always the third formal parameter and must appear with the index formal parameter.

The synopsis for passing the index of each collection element to the lambda expression is:

```
method_parameter: (lambda_param, index_lambda_param) => lambda_expression
```

The index value starts at zero for the first item.

For example, the next lambda expression concatenates to each element an underscore and the index of each element:

```
{'A', 'B', 'C'}.selectFrom( (v, i) => v || '_' || Integer.toString(i)) //
Returns {'A_0', 'B_1', 'C_2'}
```

The synopsis for passing the index of each collection element as well as the size of the collection to the lambda expression is:

```
method_parameter: (lambda_param, index_lambda_param, size_lambda_param)
=> lambda_expression
```

The following lambda expression concatenates to each element the index and size separated by underscore:

```
{'A', 'B', 'C'}.selectFrom( (v, i, s) => v || '_' || Integer.toString(i) || '_'
|| Integer.toString(s)) // Returns {'A_0_3', 'B_1_3', 'C_2_3'}
```

11.3.4. Input, Output and Limitations

It is not necessary to use classes for event representation. The example above applies the same to Object-array, Map or XML underlying events.

For most enumeration methods the input can be any collection of events, scalar values or objects. For some enumeration methods limitations apply that are documented below. For example, the `sumOf` enumeration method requires a collection of numeric scalar values if used without parameters. If the input to `sumOf` is a collection of events or scalar values the enumeration method requires a lambda expression as parameter that yields the numeric value to use to compute the sum.

Many examples of this section operate on the collection returned by the event property `items` in the `LocationReport` event class. There are many other inputs yielding collections as listed below. Most examples herein use an event property as a input simply because the example can thus be brief and does not need to refer to a subquery, named window, table or other concept.

For enumeration methods that return a collection, for example `where` and `orderBy`, the runtime outputs an implementation of the `Collection` interface that contains the selected value(s). The collection returned must be considered read-only. As Java does not allow resettable iterators, the `Collection` interface allows more flexibility to query size and navigate among collection elements. We recommend against down-casting a collection returned by the runtime to a more specific subclass of the `Collection` interface.

For enumeration methods that return an element, for example `firstOf`, `lastOf`, `minBy` and `maxBy` the runtime outputs the scalar value or the underlying event if operating on events. You may add an event property name after the enumeration method to return a property value.

Enumeration methods generally retain the order of elements provided by the collection.

The following restrictions apply to enumeration methods:

1. Enumeration methods returning a collection return a read-only implementation of the `Collection` interface. You may not use any of the write-methods such as `add` or `remove` on a result collection.

11.4. Inputs

The input of data for built-in enumeration methods is a collection of scalar values, events or other objects. Input can originate from any of the following:

1. A subquery.
2. A named window.
3. A table.
4. A property of an event that is itself a collection of events or classes, for example indexed properties, or selected properties when using `insert-into` and `@eventbean`.
5. Any of the event aggregation functions (`window`, `first`, `last`, `sorted`, `maxby`, `minby`, `maxbyever`, `minbyever`).
6. The special `prevwindow`, `prev` and `prevtail` single-row functions.
7. A plug-in single-row function, a user-defined function, a script or an enum type.
8. A declared expression.
9. Another enumeration method that returns a collection.
- 10 An array returned by the `{ }` array operator.
- 11 A collection or array returned by a method call on an event or a method call on a variable.
- 12 A variable. Usually variables declared as an array.
- 13 A substitution parameter value provided by a prepared statement.
- 14 In a match-recognize pattern, a group variable.
- 15 In an EPL pattern, events collected in a `repeat ([...])` and a `repeat-until (... until ...)`.

11.4.1. Subquery Results

Subqueries can return the rows of another stream's data window or rows from a named window or table. By providing a `where`-clause the rows returned by a subquery can be correlated to data provided by stream(s) in the `from`-clause. See [Section 5.11, "Subqueries"](#).

A subquery that selects `(*)` wildcard provides a collection of events as input. A subquery that selects a single value expression provides a collection of scalar values as input. Subqueries that select multiple value expressions are not allowed as input to enumeration methods.

The following example uses a subquery to retrieve all zones for each location report item where the location falls within the rectangle of the zone. Please see a description of example events and functions above.

```
select assetId,
       (select * from Zone#unique(name)).where(z => inrect(z.rectangle, location))
  as zones
from Item
```

You may place the subquery in an expression declaration to reuse the subquery in multiple places of the same statement.

This sample EPL declares the same statement as above in an expression declaration:


```

expression myquery {itm =>
  (select * from Zone#unique(name)).where(z => inrect(z.rectangle, itm.location))
}
select assetId, myquery(item) as subq,
  myquery(item).where(z => z.zone = 'Z01') as assetItem
from Item as item

```

The above statement also demonstrates how an enumeration method, in the example the `where`-method, can be run across the results returned by a subquery in an expression declaration.

Place a single column in the subquery select-clause to provide a collection of scalar values as input.

The next example selects all names of zones and orders the names returning an order collection of string names every 30 seconds:

```

select (select name from Zone#unique(name)).orderBy() as orderedZones
from pattern[every timer:interval(30)]

```

The next example utilizes a subquery that counts zone events per name and finds those that have a count greater than 1:

```

select (select name, count(*) as cnt from Zone#keepall group by name)
  .where(v => cnt > 1) from LocationReport]

```

When the subquery selects a single column that is itself an event, the result of the subquery is a collection of events of that type and can provide input to enumeration methods.

For example:

```

create schema SettlementEvent (symbol string);

```

```

create schema PriceEvent (symbol string, price double);

```

```

create schema OrderEvent (orderId string, pricedata PriceEvent);

```

```

select (select pricedata from OrderEvent#unique(orderId))

```

```
.anyOf(v => v.symbol = 'GE') as has_ge from SettlementEvent(symbol = 'GE')
```

Note that the runtime can cache intermediate results thereby is not forced to re-evaluate the subquery for each occurrence in the `select`-clause.

11.4.2. Named Window

Named windows are globally-visible data windows. See [Section 6.2, “Named Window Usage”](#).

You may specify the named window name as input for an enumeration method and can optionally provide a correlation where-clause. The syntax is equivalent to a sub-query against a named window but much shorter.

Synopsis:

```
named-window-name[(correlation-expression)].enum-method-name(...)
```

When selecting all events in a named window you do not need the *correlation-expression*. To select a subset of data in the named window, specify a *correlation-expression*. From the perspective of best runtime performance, a correlation expression is preferred to reduce the number of rows returned.

The following example first declares a named window to hold the last zone event per zone name:

```
create window ZoneWindow#unique(name) as Zone
```

Then you create a statement to insert zone events that arrive to the named window:

```
insert into ZoneWindow select * from Zone
```

Finally this statement queries the named window to retrieve all zones for each location report item where the location falls within the rectangle of the zone:

```
select ZoneWindow.where(z => inrect(z.rectangle, location)) as zones from Item
```

If you have a filter or correlation expression, append the expression to the named window name and place in parenthesis.

This slightly modified statement is the example above except that it adds a filter expression such that only zones with name Z1, Z2 or Z3 are considered:

```
select ZoneWindow(name in ('Z1', 'Z2', 'Z3')).where(z => inrect(z.rectangle,
  location)) as zones
from Item
```

You may prefix property names provided by the named window with the name to disambiguate property names.

This sample statement prefixed the `name` property and returns the count of matching zones:

```
select ZoneWindow(ZoneWindow.name in ('Z1', 'Z2', 'Z3')).countof() as zoneCount
from Item
```

The runtime internally interprets the shortcut syntax and creates a subquery from it. Thus all indexing and query planning for subqueries against named windows apply here as well.

11.4.3. Table

Tables are globally-visible data structures. See [Section 6.3, “Table Usage”](#).

Tables can hold aggregation state such as the `window` and `sorted` aggregation state.

The example EPL below declares a table to hold `StockTick` events in a column named `theTicks`:

```
create table MyTable(theTicks window(*) @type(StockTick))
```

The table column can be input to an enumeration method, for example:

```
select MyTable.theTicks.anyOf(v=> price > 100) from MyEvent
```

11.4.4. Event Property and Insert-Into With `@eventbean`

Event properties that are a collection, array or iterable of scalar values or objects can be an input to enumeration methods. Event properties that hold a collection or array of events can be an input to enumeration methods. Use `@eventbean` in the `select`-clause with `insert into` to select events.

The `LocationReport` event from the example contains a list of `Item` events. Any indexed property (list, array, collection, iterable) is eligible for use as input to an enumeration method. If the indexed property contains non-scalar objects the objects are treated as events and can be used as input to enumeration methods as a collection of events.

The next sample statement returns items that are less than 20 units away from the center, taking the `items` event property provided by each `LocationReport` event as input:

```
select items.where(p => distance(0, 0, p.location.x, p.location.y) < 20) as
  centeritems
from LocationReport
```

The next three statements declare an `OrderEvent` type that contains `OrderDetail` events and a statement that enumerates order detail:

```
create schema OrderDetail(itemId string)
```

```
create schema OrderEvent(details OrderDetail[])
```

```
select details.where(i => i.itemId = '001') from OrderEvent
```

The first statement in this two-statement explanation selects the events that have a `price` of greater than 100 from a 10-second time window if the count of events is at least 10. It inserts the events into stream `TicksLarge`. The use of `@eventbean` means that the event property `ticksLargePrice` holds events (and not underlying objects). The second statement further filters the events and returns a collection of events that have `price` of less than 100.

```
insert into TicksLarge select window(*).where(e => e.price > 100) @eventbean
  as ticksLargePrice
from StockTick#time(10) having count(*) > 10
```

```
select ticksLargePrice.where(e => e.price < 200) as ticksLargeLess200 from
  TicksLarge
```

11.4.5. Event Aggregation Function

Event aggregation functions return an event or multiple events. They are aggregation functions and as such sensitive to the presence of `group by`. See [Section 10.2.2, “Event Aggregation Functions”](#).

You can use `window`, `first` or `last` event aggregation functions as input to an enumeration method. Specify the `*` wildcard as the parameter to the event aggregation function to provide a collection of events as input. Or specify a property name as the parameter to event aggregation function to provide a collection of scalar values as input.

You can use the `sorted`, `maxby`, `minby`, `maxbyever` or `minbyever` event aggregation functions as input to an enumeration method. Specify one or more criteria expressions that provide the sort order as parameters to the event aggregation function.

Aggregation methods are used in conjunction with aggregations and can also provide input to an enumeration method. Please go to [Section 13.2.5, “Using Dot to Enumerate Events”](#).

In this example statement the `window(*)` aggregation function returns the last 10 seconds of item location reports for the same asset id as the incoming event. Among that last 10 seconds of events for the same asset id, the enumeration method returns those item location reports where the distance to center is less than 20, for each arriving Item event.

Sample statement:

```
select window(*).where(p => distance(0, 0, p.location.x, p.location.y) < 20) as
  centeritems
from Item(type='P')#time(10) group by assetId
```

The next sample statement instead selects the asset id property of all events and returns an ordered collection:

```
select window(assetId).orderBy() as orderedAssetIds
from Item#time(10) group by assetId
```

The following example outputs the 5 highest prices per symbol among the last 10 seconds of stock ticks:

```
select sorted(price desc).take(5) as highest5PricesPerSymbol
from StockTick#time(10) group by symbol
```

11.4.6. Prev, Prevwindow and Prevtail Single-Row Functions as Input

The `prev`, `prevwindow` and `prevtail` single-row functions allow access into a stream's data window however are not aggregation functions and as such not sensitive to the presence of `group by`. See [Section 10.1.15, “The Previous-Window Function”](#).

When using any of the `prev` single-row functions as input to a built-in enumeration method you can specify the stream name as a parameter to the function or an event property. The input to the enumeration method is a collection of events if you specify the stream name, or a collection of scalar value if you specify an event property.

In this example statement the `prevwindow(stream)` single-row function returns the last 10 seconds of item location reports, among which the enumeration method filters those item location

reports where the distance to center is less than 20, for each Item event that arrived in the last 10 seconds considering passenger-type Item events only (see filter type = 'P').

Sample statement:

```
select prevwindow(items)
  .where(p => distance(0, 0, p.location.x, p.location.y) < 20) as centeritems
from Item(type='P')#time(10) as items
```

This sample statement demonstrates the use of the `prevwindow` function to return a collection of scalar values (collection of asset id) as input to `orderBy`:

```
select prevwindow(assetId).orderBy() as orderedAssetIds
from Item#time(10) as items
```

11.4.7. Single-Row Function, User-Defined Function and Enum Types

Your single-row or user-defined function can return either an array or any collection that implements either the `Collection` or `Iterable` interface. For arrays, the array component type and for collections, the collection or iterable generic type should be the class providing event properties.

As an example, assume a `ZoneFactory` class exists and a static method `getZones()` returns a list of zones to filter items, for example:

```
public class ZoneFactory {
    public static Iterable<Zone> getZones() {
        List<Zone> zones = new ArrayList<Zone>();
        zones.add(new Zone("Z1", new Rectangle(0, 0, 20, 20)));
        return zones;
    }
}
```

Import the class through runtime or static configuration, or add the method above as a plug-in single-row function.

The following statement returns for each Item event all zones that the item belongs to:

```
select ZoneFactory.getZones().where(z => inrect(z.rectangle, item.location)) as
zones
```

```
from Item as item
```

If the class and method were registered as a plug-in single-row function, you can leave the class name off, for example:

```
select getZones().where(z => inrect(z.rectangle, item.location)) as zones
from Item as item
```

Your single-row or user-defined function can also return an array, collection or iterable or scalar values.

For example, the static method `getZoneNames()` returns a list of zone names:

```
public static String[] getZoneNames() {
    return new String[] { "Z1", "Z2" };
}
```

The following statement returns zone names every 30 seconds and excludes zone Z1:

```
select getZoneNames().where(z => z != "Z1")
from pattern[every timer:interval(30)]
```

An enum type can also be a useful source for enumerable values.

The following sample Java declares an enum type `EnumOfZones`:

```
public enum EnumOfZones {
    ZONES_OUTSIDE(new String[] { "z1", "z2" }),
    ZONES_INSIDE(new String[] { "z3", "z4" })

    private final String[] zones;

    private EnumOfZones(String[] zones) {
        this.zones = zones;
    }

    public String[] getZones() {
        return zones;
    }
}
```

A sample statement that utilizes the enum type is shown next:

```
select EnumOfZones.ZONES_OUTSIDE.getZones().anyOf(v => v = zone) from Item
```

11.4.8. Declared Expression

A declared expression may return input data for an enumeration method.

The below statement declares an expression that returns all passenger location reports among the items in the location report event in a column named `passengerCollection`. The statement uses the result returned by the declared expression a second time to filter through the list returning the passenger location report where the asset id is a given value in a column named `passengerP01`.

Sample statement:

```
expression passengers {
  lr => lr.items.where(l => l.type='P')
}
select passengers(lr) as passengerCollection,
  passengers(lr).where(x => assetId = 'P01') as passengerP01
from LocationReport lr
```

The runtime applies caching techniques to avoid re-evaluating the declared expression multiple times.

11.4.9. Variables

A variable may provide input data for an enumeration method.

This constant of array type carries a list of invalid zones:

```
create constant variable string[] invalid_zones = { 'Z1', 'Z2' };
```

Sample statement:

```
select invalid_zones.anyOf(v => v = name) as flagged from Zone
```

11.4.10. Substitution Parameters

A substitution parameter may provide input data for an enumeration method. The value of the parameter must be array-typed.

Sample statement:


```
select ?.anyOf(v => v = name) as flagged from Zone
```

11.4.11. Match-Recognize Group Variable

In a match-recognize pattern, the term *group variables* refers to identifiers that can collect multiple events.

This example assumes an order event type and each order has an item id. This sample match-recognize pattern finds a sequence of order events that concludes with an item id matching any of the collected item ids since the last pattern match:

```
select * from Order
match_recognize (
  measures A as a_array, B as b
  pattern (A* B)
  define
    B as A.anyOf(v=> v.itemId = B.itemId)
)
```

Both the `define` and the `measures` clause can contain expressions utilizing enumeration methods.

11.4.12. Pattern Repeat and Repeat-Until Operators

In an EPL pattern, the `repeat` and `repeat-until` pattern operators may collect multiple events.

The following pattern fires when two order events arrive followed by an order amendment event that has an amount larger than the largest amount of any of the preceding order events:

```
select * from pattern [
  ([2] a=Order) -> b=OrderAmendment(amount > a.max(i => i.amount))
]
```

11.5. Example

Following the RFID asset tracking example as introduced earlier, this section introduces two use cases solved by enumeration methods.

The first use case requires us to find any luggage that is more than 20 units away from the passenger that the luggage belongs to. The declared expression `lostLuggage` solves this question.

The second question to answer is: For each of such lost luggage what single other passenger is nearest to that luggage. The declared expression `nearestOwner` which uses `lostLuggage` answers this question.

Below is the complete statement (one statement not multiple):

```
// expression to return a collection of lost luggage
expression lostLuggage {
  lr => lr.items.where(l => l.type='L' and
    lr.items.some(p => p.type='P' and p.assetId=l.assetIdPassenger
      and LRUtil.distance(l.location.x, l.location.y, p.location.x, p.location.y)
      > 20))
}

// expression to return all passengers
expression passengers {
  lr => lr.items.where(l => l.type='P')
}

// expression to find the nearest owner
expression nearestOwner {
  lr => lostLuggage(lr).toMap(key => key.assetId,
    value => passengers(lr).minBy(
      p => LRUtil.distance(value.location.x, value.location.y, p.location.x,
        p.location.y))
    )
}

select lostLuggage(lr) as val1, nearestOwner(lr) as val2 from LocationReport lr
```

11.6. Reference

11.6.1. Aggregate

The `aggregate` enumeration method takes an expression providing the initialization value (seed) and an accumulator lambda expression. The return value is the final accumulator value.

Via the `aggregate` method you may perform a calculation over elements. The method initializes the aggregated value by evaluating the expression provided in the first parameter. The method then calls the lambda expression of the second parameter once for each element in the input. The lambda expression receives the last aggregated value and the element from the input. The result of the expression replaces the previous aggregated value and returns the final result after completing all elements. The collection element index and collection size are additional optional formal parameters.

Some expression examples with scalar values as input and with the optional collection element index and collection size formal parameters are:

```
{1, 2, 3}.aggregate(0, (result, value) => result + value) // Returns 6
```

```
{1, 2, 3}.aggregate(0, (result, value, index) => result + value + index*10) //
Returns 36 = 1 + 12 + 23
{1, 2, 3}.aggregate(0, (result, value, index, size) => result + value + index*10
+ size*100) // Returns 936 = 301 + 312 + 323
```

The example below aggregates price of each `OrderEvent` in the last 10 seconds computing a total price:

```
// Initialization value is zero.
// Aggregate by adding up the price.
select window(*).aggregate(0, (result, order) => result + order.price) as
totalPrice
from OrderEvent#time(10)
```

In the statement above, the initialization value is zero, `result` is used for the last aggregated value and `order` denotes the element that the expression adds the value of the price property.

This example aggregation builds a comma-separated list of all asset ids of all items:

```
select items.aggregate('',
  (result, item) => result || (case when result='' then '' else ',' end) ||
  item.assetId) as assets
from LocationReport
```

In above statement, the empty string represents the initialization value. The name `result` is used for the last aggregated value and the name `item` is used to denote the element.

The type value returned by the initialization expression must match to the type of value returned by the accumulator lambda expression.

If the input is null the method returns null. If the input is empty the method returns the initialization value.

11.6.2. AllOf

The `allOf` enumeration method determines whether all elements satisfy the predicate condition.

The method takes a single parameter: The predicate lambda expression that must yield a Boolean result. The enumeration method applies the lambda expression to each element and if the expression returns true for all elements, the method returns true.

An expression example with scalar values:

```
{1, 2, 3}.allOf(v => v > 0) // Returns true as all values are > 0
```

```
{1, 2, 3}.allOf(v => v > 1)    // Returns false
{1, 2, 3}.allOf( (v, index) => case when index < 2 then true else v > 1 end)
    // Returns true
{1, 2, 3}.allOf( (v, index, size) => v > 1 or size >= 3)    // Returns true
```

The statement below returns true when all items are within 1000 unit distance of center:

```
select items.allOf(i => distance(i.location.x, i.location.y, 0, 0) < 1000) as
    centered
from LocationReport
```

If the input is null the method returns null. If the input is empty the method returns true.

11.6.3. AnyOf

The `anyof` enumeration method determines whether any element satisfies the predicate condition.

The only parameter is the predicate lambda expression that must yield a Boolean result. The enumeration method applies the lambda expression to each element and if the expression returns true for all elements, the method returns true.

An expression example with scalar values:

```
{1, 2, 3}.anyOf(v => v > 0)    // Returns true
{1, 2, 3}.anyOf(v => v > 1)    // Returns true
{1, 2, 3}.anyOf(v => v > 3)    // Returns false
{1, 2, 3}.anyOf( (v, index) => case when index < 2 then false else v = 3 end)
    // Returns true
{1, 2, 3}.anyOf( (v, index, size) => v > 100 or size >= 3)    // Returns true
```

The statement below return true when any of the items are within 10 unit distance of center:

```
select items.anyOf(i => distance(i.location.x, i.location.y, 0, 0) < 10) as
    centered
from LocationReport
```

If the input is null the method returns null. If the input is empty the method returns false.

11.6.4. ArrayOf

The `arrayOf` enumeration method returns values as an array.

If no value-selector lambda expression is provided, the method accepts only scalar input and returns the array of scalar values.

If a value-selector lambda expression is provided, the enumeration method invokes a value-selector lambda expression on each element and returns the result values as an array. The type of array returned follows the return type of the lambda expression that was provided as the sole parameter.

The next expressions are examples with scalar input:

```
{1, 2, 3}.arrayOf()    // Returns [1, 2, 3] as an array of Integer
{1, 2, 3}.arrayOf(v => v+1)    // Returns [2, 3, 4] as an array of Integer
{1, 2, 3}.arrayOf((v, index) => v+index)    // Returns [1, 3, 5] as an array
of Integer
{1, 2, 3}.arrayOf((v, index, size) => v+index+size)    // Returns [4, 6, 8] as
an array of Integer
```

The next statement returns the array of distances of any item from center:

```
select items.arrayOf(i => distance(i.location.x, i.location.y, 0, 0)) as
distancesArray
from LocationReport
```

If the input is null the method returns null. If the input is empty the method returns an empty array.

11.6.5. Average

The `average` enumeration method computes the average of scalar values. If passing a projection lambda expression the method computes the average obtained by invoking the projection lambda expression on each element.

The method takes a projection lambda expression yielding a numeric value as a parameter. It applies the lambda expression to each element and computes the average of the result, returning a Double value. A BigDecimal is returned for expressions returning BigInteger or BigDecimal.

The following are expression examples with scalar values:

```
{1, 2, 3}.average()    // Returns 2
{1, 2, 3}.average(v => v+1)    // Returns 3
{1, 2, 3}.average((v, index) => v+10*index)    // Returns 12 = (1+12+23)/3
{1, 2, 3}.average((v, index, size) => v+10*index + 100*size)    // Returns 312
= (301+312+323)/3
```

The statement as shown next computes the average distance from center among all items in the location report event:

```
select items.average(i => distance(i.location.x, i.location.y, 0, 0)) as
  avgdistance
from LocationReport
```

If the input is null the method returns null. If the input is empty the method returns double zero or BigDecimal zero. For BigDecimal precision and rounding, please see [Section 17.5.6.5, “Math Context”](#).

11.6.6. CountOf

The `countof` enumeration method returns the number of elements, or the number of elements that satisfy a condition.

The enumeration method has two versions: The first version takes no parameters and computes the number of elements. The second version takes a predicate lambda expression that must yield Boolean true or false, and computes the number of elements that satisfy the condition.

An expression example with scalar values:

```
{1, 2, 3}.countOf()      // Returns 3
{1, 2, 3}.countOf(v => v < 2)    // Returns 1
{1, 2, 3}.countOf( (v, index) => v > index)    // Returns 3
{1, 2, 3}.countOf( (v, index, size) => v >= size)    // Returns 1
```

The next sample statement counts the number of items:

```
select items.countOf() as cnt from LocationReport
```

This example statement counts the number of items that have a distance to center that is less than 20 units:

```
select items.countOf(i => distance(i.location.x, i.location.y, 0, 0) < 20) as
  cntcenter
from LocationReport
```

If the input is null the method returns null. If the input is empty the method returns integer zero.

11.6.7. DistinctOf

The `distinctOf` enumeration method returns distinct elements.

The enumeration method can take a single key-selector lambda expression as parameter and returns distinct elements according to the key yielded by the expression. For same-value keys, distinct returns the first element for that key. Further detail on key expressions can be found at [Section 5.2.13, “Composite Keys and Array Values as Keys”](#).

An expression example with scalar values:

```
{2, 3, 2, 1}.distinctOf() // Returns {2, 3, 1}
{2, 3, 2, 1}.distinctOf(v => case when v > 1 then 0 else -1 end) // Returns {2, 1}
{2, 3, 2, 1}.distinctOf((v, index) => case when index = 0 then 1 else 2 end)
// Returns {2, 3}
{2, 3, 2, 1}.distinctOf((v, index, size) => case when index+1=size then 1 else
2 end) // Returns {2, 1}
```

This example returns items distinct by item id returning the first item for each distinct item id:

```
select items.distinctOf(i => itemId) as itemsNearFirst
from LocationReport
```

The key-selector lambda expression, when provided, must return a comparable type: Any primitive or boxed or `Comparable` type is permitted.

If the input is null the method returns null. If the input is empty the method returns an empty collection.

11.6.8. Except

The `except` enumeration method forms a set difference of the input elements with the elements that the parameter expression yields.

The enumeration method takes a single parameter that must itself return a collection of events, objects or scalar values. The method returns the elements of the first collection that do not appear in the second collection.

An expression example with scalar values:

```
{1, 2, 3}.except({1}) // Returns {2, 3}
```

The following statement compares the items of the last location report against all items in the previous 10 location reports, and reports for each combination only those items in the current item report that are not also in the location report compared to:

```
select za.items.except(zb.items) as itemsCompared
```

```
from LocationReport as za unidirectional, LocationReport#length(10) as zb
```

If the input is null the method returns null. For scalar values and objects equals-semantic apply.

11.6.9. FirstOf

The `firstOf` enumeration method returns the first element or the first element that satisfies a condition.

The method has two versions: The first version takes no parameters and returns the first element. The second version takes a predicate lambda expression yielding true or false. It applies the lambda expression to each element and returns the first element for which the expression returns true. The return type is the element itself and not a collection. You may append a property name to return the property value for the first element.

The example expressions with scalar values are:

```
{1, 2, 3}.firstOf() // Returns 1
{1, 2, 3}.firstOf(v => v / 2 > 1) // Returns 3
{1, 2, 3}.firstOf((v, index) => index = 1) // Returns 2
{1, 2, 3}.firstOf((v, index, size) => v = size-1) // Returns 2
```

In the following EPL sample the statement returns the first item that has a distance to center that is less than 20 units:

```
select items.firstof(i => distance(i.location.x, i.location.y, 0, 0) < 20) as
    firstcenter
from LocationReport
```

The next sample EPL returns the first item's asset id:

```
select items.firstof().assetId as firstAssetId from LocationReport
```

If the input is null, empty or if none of the elements match the condition the method returns null.

11.6.10. GroupBy

The `groupBy` enumeration method groups the elements according to a specified key-selector lambda expression. There are two version of the `groupBy` method.

The first version of the method takes a key-selector lambda expression and returns a Map of key with each value a list of objects, one for each distinct key that was encountered. The result is a `Map<Object, Collection<Object>>` wherein object is the event underlying object.

The second version of the method takes a key-selector lambda expression and value-selector lambda expression and returns a Map of key with each value a list of values, one for each distinct key that was encountered. The result is a `Map<Object, Collection<Object>>` wherein object is the result of applying the value-selector expression.

The example expressions with scalar values are:

```
{1, 2, 3}.groupby(k => 'K' || Integer.toString(k)) // Returns map {K1=[1],
K2=[2], K3=[3]}
{1, 2, 3}.groupby(k => 'K' || Integer.toString(k), v => 'V' ||
Integer.toString(v)) // Returns map {K1=[V1], K2=[V2], K3=[V3]}
{1, 2, 3}.groupby(
(k, i) => 'K' || Integer.toString(k) || "_" || Integer.toString(i),
(v, i) => 'V' || Integer.toString(v) || "_" || Integer.toString(i)
) // Returns map {K1_0=[V1_0], K2_1=[V2_1], K3_2=[V3_2]}
{1, 2, 3}.groupby(
(k, i, s) => 'K' || Integer.toString(k) || "_" || Integer.toString(s),
(v, i, s) => 'V' || Integer.toString(v) || "_" || Integer.toString(s)
) // Returns map {K1_3=[V1_3], K2_3=[V2_3], K3_3=[V3_3]}
```

The next statement filters out all luggage items using a `where` method and then groups by the luggage's passenger asset id. It returns a map of passenger asset id and the collection of luggage items for each passenger:

```
select items.where(type='L').groupby(i => assetIdPassenger) as luggagePerPerson
from LocationReport
```

The statement shown below generates a map of item asset id and distance to center:

```
select items.groupby(
k => assetId, v => distance(v.location.x, v.location.y, 0, 0)) as
distancePerItem
from LocationReport
```

If the input is null the method returns null. Null values as key and value are allowed.

11.6.11. Intersect

The `intersect` enumeration method forms a set intersection of the input elements with the elements that the parameter expression yields.

The enumeration method takes a single parameter that must itself return a collection of events, objects or scalar values. The method returns the elements of the first collection that also appear in the second collection.

An expression example with scalar values:

```
{1, 2, 3}.intersect({2, 3}) // Returns {2, 3}
```

The following statement compares the items of the last location report against all items in the previous 10 location reports, and reports for each combination all items in the current item report that also occur in the other location report:

```
select za.items.intersect(zb.items) as itemsCompared
from LocationReport as za unidirectional, LocationReport#length(10) as zb
```

If the input is null the method returns null. For scalar values and objects equals-semantics apply.

11.6.12. LastOf

The `lastOf` enumeration method returns the last element or the last element that satisfies a condition.

The method has two versions: The first version takes no parameters and returns the last element. The second version takes a predicate lambda expression yielding true or false. It applies the lambda expression to each element and returns the last element for which the expression returns true. The return type is the element itself and not a collection. You may append a property name to return the property value for the last element.

An expression example with scalar values:

```
{1, 2, 3}.lastOf() // Returns 3
{1, 2, 3}.lastOf(v => v < 3) // Returns 2
{1, 2, 3}.lastOf((v, index) => index < 2 ) // Result 2
{1, 2, 3}.lastOf((v, index, size) => index < size - 2 ) // Result 1
```

In the following EPL sample the statement returns the last item that has a distance to center that is less than 20 units:

```
select items.lastof(i => distance(i.location.x, i.location.y, 0, 0) < 20) as
lastcenter
from LocationReport
```

The next sample EPL returns the last item's asset id:

```
select items.lastof().assetId as lastAssetId from LocationReport
```

If the input is null, empty or if none of the elements match the condition the method returns null.

11.6.13. LeastFrequent

The `leastFrequent` enumeration method returns the least frequent value among a collection of values, or the least frequent value after applying a transform expression to each element.

The method has two versions: The first version takes no parameters and returns the least frequent value. The second version takes a transform lambda expression yielding the value to count occurrences for. The method applies the lambda expression to each element and returns the expression result value with the least number of occurrences. The return type is the type of value in the collection or the type of value returned by the transform lambda expression if one was provided.

An expression example with scalar values:

```
{1, 2, 3, 2, 1}.leastFrequent() // Returns 3
{1, 2, 3, 2, 1}.leastFrequent(v => case when v = 3 then 4 else v end) // Returns 4
{1, 2, 3, 2, 1}.leastFrequent((v, index) => case when index = 2 then 4 else v end) // Returns 4
{1, 2, 3, 2, 1}.leastFrequent((v, index, size) => case when index = size - 2 then 4 else v end) // Returns 2
```

The example EPL below returns the least frequent item type, counting the distinct item types among all items for the current `LocationReport` event:

```
select items.leastFrequent(i => type) as leastFreqType from LocationReport
```

If the input is null or empty the method returns null. The transform expression may also yield null. A null value can be returned as the most frequent value if the most frequent value is null. If multiple values have the same number of occurrences the method returns the first value with the least number of occurrences considering the ordering of the collection.

11.6.14. Max

The `max` enumeration method returns the maximum value among a collection of values.

If no value-selector lambda expression is provided, the method finds the maximum.

If a value-selector lambda expression is provided, the enumeration method invokes a value-selector lambda expression on each element and returns the maximum value. The type of value returned follows the return type of the lambda expression that was provided as parameter.

An expression example with scalar values:

```
{1, 2, 3, 2, 1}.max()    // Returns 3
{1, 2, 3, 2, 1}.max(v => case when v >= 3 then 0 else v end)    // Returns 2
{1, 2, 3, 2, 1}.max((v, index) => case when index = 2 then 0 else v end)
    // Returns 2
{1, 2, 3, 2, 1}.max((v, index, size) => case when index > size - 4 then 0 else
v end)    // Returns 2
```

The next statement returns the maximum distance of any item from center:

```
select items.max(i => distance(i.location.x, i.location.y, 0, 0)) as maxcenter
from LocationReport
```

The value-selector lambda expression must return a comparable type: Any primitive or boxed type or `Comparable` type is permitted.

If the input is null, empty or if none of the elements when transformed return a non-null value the method returns null.

11.6.15. MaxBy

The `maxBy` enumeration method returns the element that provides the maximum value returned by the value-selector lambda expression when applied to each element.

The enumeration method returns the element itself. You may append an event property name to return a property value of the element.

An expression example with scalar values:

```
{1, 2, 3, 2, 1}.maxby(v => v)    // Result 3
{1, 2, 3, 2, 1}.maxby((v, index) => case when index < 3 then -1 else 0 end)
    // Result 2
{1, 2, 3, 2, 1}.maxby((v, index, size) => case when index < size - 2 then -1
else 0 end)    // Result 2
```

The next statement returns the first item with the maximum distance to center:

```
select items.maxBy(i => distance(i.location.x, i.location.y, 0, 0)) as
maxItemCenter
from LocationReport
```

The next sample returns the type of the item with the largest asset id (string comparison) among all items:

```
select items.maxBy(i => assetId).type as minAssetId from LocationReport
```

The transform expression must return a comparable type: Any primitive or boxed type or `Comparable` type is permitted.

If the input is null, empty or if none of the elements when transformed return a non-null value the method returns null.

11.6.16. Min

The `min` enumeration method returns the minimum value among a collection of values.

If no value-selector lambda expression is provided, the method finds the minimum.

If a value-selector lambda expression is provided, the enumeration method invokes a value-selector lambda expression on each element and returns the minimum value. The type of value returned follows the return type of the lambda expression that was provided as parameter.

Some expression examples with scalar values are:

```
{1, 2, 3, 2, 1}.min() // Returns 1
{1, 2, 3, 2, 1}.min(v => v + 1) // Returns 2
{1, 2, 3, 2, 1}.min((v, index) => v - index) // Returns -3
{1, 2, 3, 2, 1}.min((v, index, size) => v - size) // Returns -4
```

The next statement returns the minimum distance of any item to center:

```
select items.min(i => distance(i.location.x, i.location.y, 0, 0)) as mincenter
from LocationReport
```

The transform expression must return a comparable type: Any primitive or boxed type or `Comparable` type is permitted.

If the input is null, empty or if none of the elements when transformed return a non-null value the method returns null.

11.6.17. MinBy

The `minBy` enumeration method returns the element that provides the minimum value returned by the value-selector lambda expression when applied to each element.

The enumeration method returns the element itself. You may append an event property name to return a property value of the element.

Some expression examples with scalar values are:

```
{1, 2, 3, 2, 1}.minby(v => v)    // Result 1
{1, 2, 3, 2, 1}.minby((v, index) => case when index < 3 then -1 else 0 end)
    // Result 1
{1, 2, 3, 2, 1}.minby((v, index, size) => case when index < size - 2 then -1
    else 0 end)    // Result 1
```

The next statement returns the first item with the minimum distance to center:

```
select items.minBy(i => distance(i.location.x, i.location.y, 0, 0)) as
    minItemCenter
from LocationReport
```

The next sample returns the type of the item with the smallest asset id (string comparison) among all items:

```
select items.minBy(i => assetId).type as minAssetId from LocationReport
```

The transform expression must return a comparable type: Any primitive or boxed or `Comparable` type is permitted.

If the input is null, empty or if none of the elements when transformed return a non-null value the method returns null.

11.6.18. MostFrequent

The `mostFrequent` enumeration method returns the most frequent value among a collection of values, or the most frequent value after applying a transform expression to each element.

The method has two versions: The first version takes no parameters and returns the most frequent value. The second version takes a transform lambda expression yielding the value to count occurrences for. The method applies the lambda expression to each element and returns the expression result value with the most number of occurrences. The return type is the type of value in the collection or the type of value returned by the transform lambda expression if one was provided.

An expression example with scalar values:

```
{1, 2, 3, 2, 1, 2}.mostFrequent()    // Returns 2
```

```
{1, 2, 3, 2, 1, 2}.mostFrequent(v => case when v = 2 then 10 else v end)
  // Returns 10
{1, 2, 3, 2, 1, 2}.mostFrequent((v, index) => case when index > 2 then 4 else
v end)  // Returns 4
{1, 2, 3, 2, 1, 2}.mostFrequent((v, index, size) => case when size > 3 then 0
else v end)  // Returns 0
```

The example EPL below returns the least frequent item type, counting the distinct item types among all items for the current LocationReport event:

```
select items.leastFrequent(i => type) as leastFreqType from LocationReport
```

If the input is null or empty the method returns null. The transform expression may also yield null. A null value can be returned as the most frequent value if the most frequent value is null. If multiple values have the same number of occurrences the method returns the first value with the most number of occurrences considering the ordering of the collection.

11.6.19. OrderBy and OrderByDesc

The `orderBy` enumeration method sorts elements in ascending order according to a key. The `orderByDesc` enumeration method sorts elements in descending order according to a key.

The enumeration method takes a single key-selector lambda expression as parameter and orders elements according to the key yielded by the expression. For same-value keys, it maintains the existing order.

An expression example with scalar values:

```
{2, 3, 2, 1}.orderBy()  // Returns {1, 2, 2, 3}
{2, 3, 2, 1}.orderBy(v => -v)  // Returns {3, 2, 2, 1}
{2, 3, 2, 1}.orderBy((v, index) => index)  // Returns {2, 3, 2, 1}
{2, 3, 2, 1}.orderBy((v, index, size) => case when index < size - 2 then v else
-v end)  // Returns {2, 1, 2, 3}
```

This example orders all items from a location report according to their distance from center:

```
select items.orderBy(i => distance(i.location.x, i.location.y, 0, 0)) as
itemsNearFirst,
       items.orderByDesc(i => distance(i.location.x, i.location.y, 0, 0)) as
itemsFarFirst
from LocationReport
```

The key-selector lambda expression must return a comparable type: Any primitive or boxed or `Comparable` type is permitted.

If the input is null the method returns null. If the input is empty the method returns an empty collection.

11.6.20. Reverse

The `reverse` enumeration method simply reverses the order of elements returning a collection.

An expression example with scalar values:

```
{2, 3, 2, 1}.reverse() // Returns {1, 2, 3, 2}
```

The following EPL reverses the items:

```
select items.reverse() as reversedItems from LocationReport
```

If the input is null the method returns null. If the input is empty the method returns an empty collection.

11.6.21. SelectFrom

The `selectFrom` enumeration method transforms each element resulting in a collection of transformed elements.

The enumeration method has two versions. The first version takes only a transformation lambda expression and applies that to each element and returns the result of each transformation as a collection. The second version takes a transformation lambda expression and index for use within the transformation expression.

Use the `new` operator to yield multiple values for each element, see [Section 9.14, "The 'New' Keyword"](#).

The following are expression examples with scalar values:

```
{'A','B','C'}.selectFrom(v => '<' || v || '>') // Returns [<A>, <B>, <C>]  
{'A','B','C'}.selectFrom((v, index) => v || '_' || Integer.toString(index)) //  
Returns [A_0, B_1, C_2]  
{'A','B','C'}.selectFrom((v, index, size) => v || '_' || Integer.toString(size))  
// Returns [A_3, B_3, C_3]
```

The next statement returns a collection of asset ids:


```
select items.selectFrom(i => assetId) as itemAssetIds from LocationReport
```

This sample statement evaluates each item and returns the asset id as well as the distance from center for each item:

```
select items.selectFrom(i =>
  new {
    assetId,
    distanceCenter = distance(i.location.x, i.location.y, 0, 0)
  } ) as itemInfo from LocationReport
```

The second version of the `selectFrom` enumeration method also represents the index of the input element starting at zero for the first element.

The example appends the passenger-type and the index returning a string-type value for each item:

```
select items.selectFrom((p, ind) => p.type || Integer.toString(ind)) from
LocationReport
```

If the input is null the method returns null. If the input is empty the method returns an empty collection.

11.6.22. SequenceEqual

The `sequenceEqual` enumeration method determines whether two collections are equal by comparing each element.

The method enumerates the two source collections in parallel and compares corresponding elements by using the `equals` method to compare. The method takes a single parameter expression that must return a collection containing elements of the same type as the input. The method returns true if the two source sequences are of equal length and their corresponding elements are equal.

An expression example with scalar values:

```
{1, 2, 3}.sequenceEqual({1}) // Returns false
{1, 2, 3}.sequenceEqual({1, 2, 3}) // Returns true
```

The following example compares the asset id of all items to the asset ids returned by a method `ItemUtil.redListed()` which is assumed to return a list of asset id of string type:

```
select items.selectFrom(i => assetId).sequenceEquals(ItemUtil.redListed()) from
LocationReport
```

If the input is null the method returns null.

11.6.23. SumOf

The `sumOf` enumeration method computes the sum. If a projection lambda expression is provided, the method invokes the projection lambda expression on each element and computes the sum on each returned value.

The projection lambda expression should yield a numeric value, `BigDecimal` or `BigInteger` value. Depending on the type returned by the projection lambda expression the method returns either `Integer`, `Long`, `Double`, `BigDecimal` or `BigInteger`.

An expression example with scalar values:

```
{1, 2, 3}.sumOf() // Returns 6
{1, 2, 3}.sumOf(v => v+1) // Returns 9 = 2+3+4
{1, 2, 3}.sumOf((v, index) => v+index) // Returns 9 = 1+3+5
{1, 2, 3}.sumOf((v, index, size) => v+index+size) // Returns 18 = 4+6+8
```

The following example computes the sum of the distance of each item to center:

```
select items.sum(i => distance(i.location.x, i.location.y, 0, 0) as
totalAllDistances
from LocationReport
```

If the input is null or empty the method returns null.

11.6.24. Take

The `take` enumeration method returns a specified number of contiguous elements from the start.

The enumeration method takes a single size (non-lambda) expression that returns an `Integer` value.

An expression example with scalar values:

```
{1, 2, 3}.take(2) // Returns {1, 2}
```

The following example returns the first 5 items:

```
select items.take(5) as first5Items from LocationReport
```

If the input is null the method returns null. If the input is empty the method returns an empty collection.

11.6.25. TakeLast

The `takeLast` enumeration method returns a specified number of contiguous elements from the end.

The enumeration method takes a single size (non-lambda) expression that returns an Integer value.

An expression example with scalar values:

```
{1, 2, 3}.takeLast(2) // Returns {2, 3}
```

The following example returns the last 5 items:

```
select items.takeLast(5) as last5Items from LocationReport
```

If the input is null the method returns null. If the input is empty the method returns an empty collection.

11.6.26. TakeWhile

The `takeWhile` enumeration method returns elements from the start as long as a specified condition is true.

The enumeration method has two versions. The first version takes a predicate lambda expression and the second version takes a predicate lambda expression and index for use within the predicate expression. Both versions return elements from the start as long as the specified condition is true.

An expression example with scalar values:

```
{1, 2, 3}.takeWhile(v => v < 3) // Returns {1, 2}
{1, 2, 3}.takeWhile((v,ind) => ind > 2) // Returns {1, 2}
{1, 2, -1, 4, 5, 6}.takeWhile((v,ind,sz) => ind < sz - 5 and v > 0) // Returns {1}
```

This example selects all items from a location report in the order provided until the first item that has a distance to center greater than 20 units:

```
select items.takeWhile(i => distance(i.location.x, i.location.y, 0, 0) < 20)
from LocationReport
```

The second version of the `where` represents the index of the input element starting at zero for the first element.

The next example is similar to the statement above but also limits the result to the first 10 items:

```
select items.takeWhile((i, ind) => distance(i.location.x, i.location.y, 0, 0)
< 20) and ind < 10)
from LocationReport
```

If the input is null the method returns null. If the input is empty the method returns an empty collection.

11.6.27. TakeWhileLast

The `takeWhileLast` enumeration method returns elements from the end as long as a specified condition is true.

The enumeration method has two versions. The first version takes a predicate lambda expression and the second version takes a predicate lambda expression and index for use within the predicate expression. Both versions return elements from the end as long as the specified condition is true.

The expression examples with scalar values are:

```
{1, 2, 3}.takeWhileLast(v => v < 3)    // Returns {} (empty collection)
{1, 2, 3}.takeWhileLast(v => v > 1)    // Returns {2, 3}
{1, 2, 3}.takeWhileLast((v,ind) => ind > 2)    // Returns {2, 3}
{1, 2, -1, 4, 5, 6}.takeWhileLast((v,ind) => ind < 5 and v > 0) // Returns {4,
5, 6} (Take while index<5 and value>0)
{1, 2, -1, 4, 5, 6}.takeWhileLast((v,ind,sz) => ind < sz-4 and v > 0) //
Returns {5, 6}
```

This example selects all items from a location report, starting from the last element and proceeding backwards, until the first item that has a distance to center greater than 20 units:

```
select items.takeWhile(i => distance(i.location.x, i.location.y, 0, 0) < 20)
from LocationReport
```

The second version provides the index of the input element starting at zero for the last element (reverse index).

The next example is similar to the statement above but also limits the result to the last 10 items:

```
select items.takeWhile((i, ind) => distance(i.location.x, i.location.y, 0, 0)
  < 20) and ind < 10)
from LocationReport
```

If the input is null the method returns null. If the input is empty the method returns an empty collection.

11.6.28. ToMap

The `toMap` enumeration method returns a Map according to specified key-selector lambda expression and value-selector lambda expression.

The enumeration method takes a key-selector expression and a value-selector expression. For each element the method applies the key-selector expression to determine the map key and the value-selector expression to determine the map value. If the key already exists in the map the value is overwritten.

The expression examples with scalar values are:

```
{1, 2, 3}.toMap(k => 'K' || Integer.toString(k), v => 'V' || Integer.toString(v))
  // Returns map {K1=V, K2=V2, K3=V3}
{1, 2, 3}.toMap(
  (k, i) => 'K' || Integer.toString(k) || "_" || Integer.toString(i),
  (v, i) => 'V' || Integer.toString(v) || "_" || Integer.toString(i)
) // Returns map {K1_0=V1_0, K2_1=V2_1, K3_2=V3_2}
{1, 2, 3}.toMap(
  (k, i, s) => 'K' || Integer.toString(k) || "_" || Integer.toString(s),
  (v, i, s) => 'V' || Integer.toString(v) || "_" || Integer.toString(s)
) // Returns map {K1_3=V1_3, K2_3=V2_3, K3_3=V3_3}
```

The next example EPL outputs a map of item asset id and distance to center for each item:

```
select items.toMap(k => k.assetId, v => distance(v.location.x, v.location.y, 0,
  0)) as assetDistance
from LocationReport
```

If the input is null the method returns null. If the input is empty the method returns an empty map.

11.6.29. Union

The `union` enumeration method forms a union of the input elements with the elements that the parameter expression yields.

The enumeration method takes a single parameter that must itself return a collection of events (input), objects or scalar values. It appends the collection to the input elements and returns the appended collection of elements.

An expression example with scalar values:

```
{1, 2, 3}.union({4, 5}) // Returns {1, 2, 3, 4, 5}
```

This example selects a union of all items that have an asset id of L001 or that are of type passenger:

```
select items.where(i => i.assetId = 'L001')
      .union(items.where(i => i.type = 'P')) as itemsUnion
from LocationReport
```

If the input is null the method returns null.

11.6.30. Where

The `where` enumeration method filters elements based on a predicate.

The enumeration method has two versions. The first version takes a predicate lambda expression and the second version takes a predicate lambda expression and index for use within the predicate expression. Both versions return all elements for which the predicate expression is true.

An expression example with scalar values:

```
{1, 2, 3}.where(v => v != 2) // Returns {1, 3}
{1, 2, 3}.where((v, index) => v != 2 and index < 2) // Returns {1}
{1, 2, 3}.where((v, index, size) => v != 2 and index < size - 2) // Returns {1}
```

This example selects all items from a location report that are passenger-type:

```
select items.where(p => p.type = 'P') from LocationReport
```

The second version of the `where` represents the index of the input element starting at zero for the first element.

The example below selects all items from a location report that are passenger-type but ignores the first 3 elements:

```
select items.where((p, ind) => p.type = 'P' and ind > 2) from LocationReport
```

If the input is null the method returns null. If the input is empty the method returns an empty collection.

Chapter 12. EPL Reference: Date-Time Methods

12.1. Overview

EPL date-time methods work on date-time values to perform common tasks such as comparing times and time periods, adding or subtracting time periods, setting or rounding calendar fields and querying fields.

Date-time methods operate on:

1. Any expression or event property that returns one of the below values:
 - a. A long-type millisecond or microsecond value.
 - b. A `java.util.Calendar` object including subclasses.
 - c. A `java.util.Date` object including subclasses.
 - d. A `java.time.LocalDateTime` object including subclasses.
 - e. A `java.time.ZonedDateTime` object including subclasses.
2. Any event for which the event type declares a start timestamp property name and optionally also an end timestamp property name. Date-time methods operate on events by means of the *stream-alias.method-name* syntax.

Your application may add additional date-time methods by following the recipe described at [Section 22.8, “Date-Time Method”](#).

The below table summarizes the built-in date-time methods available:

Table 12.1. Date-Time Methods

Method	Result
<code>after(event or timestamp)</code>	Returns true if an event happens after another event, or a timestamp is after another timestamp. Section 12.4.5, “After” .
<code>before(event or timestamp)</code>	Returns true if an event happens before another event, or a timestamp is before another timestamp. Section 12.4.6, “Before” .
<code>between(timestamp, timestamp, boolean, boolean)</code>	Returns true if a timestamp is between two timestamps. Section 12.3.1, “Between” .

Method	Result
coincides(event or timestamp)	Returns true if an event and another event happen at the same time, or two timestamps are the same value. Section 12.4.7, "Coincides" .
during(event or timestamp)	Returns true if an event happens during the occurrence of another event, or when a timestamps falls within the occurrence of an event. Section 12.4.8, "During" .
finishes(event or timestamp)	Returns true if an event starts after another event starts and the event ends at the same time as the other event. Section 12.4.9, "Finishes" .
finishedBy(event timestamp) or	Returns true if an event starts before another event starts and ends at the same time as the other event. Section 12.4.10, "Finished By" .
format()	Formats the date-time returning a string.
format(format)	Section 12.3.2, "Format" .
get(field)	Returns the value of the given date-time value field. Section 12.3.3, "Get (By Field)" .
getMillisOfSecond()	Returns the value of the given date-time value field.
getSecondOfMinute()	Section 12.3.4, "Get (By Name) " .
getMinuteOfHour()	
getHourOfDay()	
getDayOfWeek()	
getDayOfMonth()	
getDayOfYear()	
getWeekyear()	
getMonthOfYear()	
getYear()	
getEra()	

Method	Result
includes(event or timestamp)	Returns true if the parameter event happens during the occurrence of the event, or when a timestamps falls within the occurrence of an event. Section 12.4.11, "Includes" .
meets(event or timestamp)	Returns true if the event's end time is the same as another event's start time. Section 12.4.12, "Meets" .
metBy(event or timestamp)	Returns true if the event's start time is the same as another event's end time. Section 12.4.13, "Met By" .
minus(duration-millis)	Returns a date-time with the specified duration in long-type milliseconds taken away. Section 12.3.5, "Minus" .
minus(time-period)	Returns a date-time with the specified duration in time-period syntax taken away. Section 12.3.5, "Minus" .
overlaps(event or timestamp)	Returns true if the event starts before another event starts and finishes after the other event starts, but before the other event finishes (events have an overlapping period of time). Section 12.4.14, "Overlaps" .
overlappedBy(event timestamp)	or Returns true if the parameter event starts before the input event starts and the parameter event finishes after the input event starts, but before the input event finishes (events have an overlapping period of time). Section 12.4.15, "Overlapped By" .
plus(duration-millis)	Returns a date-time with the specified duration in long-type milliseconds added. Section 12.3.6, "Plus" .
plus(time-period)	Returns a date-time with the specified duration in time-period syntax added. Section 12.3.6, "Plus" .
roundCeiling(field)	Returns a date-time rounded to the highest whole unit of the date-time field. Section 12.3.7, "RoundCeiling" .

Method	Result
<code>roundFloor(field)</code>	Returns a date-time rounded to the lowest whole unit of the date-time field. Section 12.3.8, "RoundFloor" .
<code>roundHalf(field)</code>	Returns a date-time rounded to the nearest whole unit of the date-time field. Section 12.3.9, "RoundHalf" .
<code>set(field, value)</code>	Returns a date-time with the specified field set to the value returned by a value expression. Section 12.3.10, "Set (By Field)" .
<code>starts(event or timestamp)</code>	Returns true if an event and another event start at the same time and the event's end happens before the other event's end. Section 12.4.16, "Starts" .
<code>startedBy(event or timestamp)</code>	Returns true if an event and another event start at the same time and the other event's end happens before the input event's end. Section 12.4.17, "Started By" .
<code>withDate(year,month,day)</code>	Returns a date-time with the specified date, retaining the time fields. Section 12.3.11, "WithDate" .
<code>withMax(field)</code>	Returns a date-time with the field set to the maximum value for the field. Section 12.3.12, "WithMax" .
<code>withMin(field)</code>	Returns a date-time with the field set to the minimum value for the field. Section 12.3.13, "WithMin" .
<code>withTime(hour,minute,sec,msec)</code>	Returns a date-time with the specified time, retaining the date fields. Section 12.3.14, "WithTime" .
<code>toCalendar()</code>	Returns the <code>Calendar</code> object for this date-time value. Section 12.3.15, "ToCalendar" .
<code>toDate()</code>	Returns the <code>Date</code> object for this date-time value. Section 12.3.16, "ToDate" .

Method	Result
toMillisec()	Returns the long-type milliseconds value for this date-time value. Section 12.3.17, “ToMillisec” .

12.2. How to Use

12.2.1. Syntax

The syntax for date-time methods is the same syntax as for any chained invocation:

```
input_val.datetime_method_name( [method_parameter [, method_parameter
[,...]]])
.[ datetime_method_name(...) [...]]
```

Following the *input_val* input value is the `.` (dot) operator and the *datetime_method_name* date-time method name. It follows in parenthesis a comma-separated list of method parameter expressions. Additional date-time methods can be chained thereafter.

The input value can be any expression or event property that returns a value of type `long` or `java.util.Calendar` or `java.util.Date` or `java.time.LocalDateTime` or `java.time.ZonedDateTime`. If the input value is null, the expression result is also null.

The input value can also be an event. In this case the event type of the event must have the start timestamp property name defined and optionally also the end timestamp property name.

The following example statement employs the `withTime` date-time method. This example returns the current runtime time with the time-part set to 1 am:

```
select current_timestamp.withTime(1, 0, 0, 0) as timelam from MyEvent
```

As date-time methods can be chained, this EPL is equivalent:

```
select current_timestamp.set('hour', 1).set('min', 0).set('sec', 0).set('msec',
0) as timelam
from MyEvent
```

The statement above outputs in field `timelam` a long-type value (milliseconds or microseconds) reflecting 1am on the same date as runtime time. Since the input value is provided by the built-in `current_timestamp` function which returns current runtime time as a long-type value the output is also a long-type value.

You may apply a date-time method to an event property.

Assume that the `RFIDEvent` event type has a `Date`-type property by name `timeTaken`. The following statement rounds each time-taken value down to the nearest minute and outputs a `Date`-type value in column `timeTakenRounded`:

```
select timeTaken.roundFloor('min') as timeTakenRounded from RFIDEvent
```

You may apply a date-time method to events. This example assumes that the `RFIDEvent` and `WifiEvent` event types both have a timestamp property defined. The EPL compares the timestamps of the `RFIDEvent` and the `WifiEvent`:

```
select rfid.after(wifi) as isAfter
from RFIDEvent#lastevent rfid, WifiEvent#lastevent wifi
```

For comparing date-time values and considering event duration (event start and end timestamps) we recommend any of the interval algebra methods. You may also compare long-type values using the `between` or `in` ranges and inverted ranges or relational operators (`>`, `<`, `>=`, `<=`).

From a performance perspective, the date-time method evaluation ensures that for each unique chain of date-time methods only a single calendar objects is copied or created when necessary.

12.3. Calendar and Formatting Reference

12.3.1. Between

The `between` date-time method compares the input date-time value to the two date-time values passed in and returns true if the input value falls between the two parameter values.

The synopsis is:

```
input_val.between(range_start, range_end [, include_start, include_end])
```

The method takes either 2 or 4 parameters. The first two parameters `range_start` and `range_end` are expressions or properties that yield either a long-typed, `Date`-typed or `Calendar`-typed range start and end value.

The next two parameters `include_start` and `include_end` are optional. If not specified, the range start value and range end value are included in the range i.e. specify a closed range where both endpoints are included. If specified, the expressions must return a boolean-value indicating whether to include the range start value and range end value in the range.

The example below outputs true when the time-taken property value of the RFID event falls between the time-start property value and the time-end property value (closed range includes endpoints):

```
select timeTaken.between(timeStart, timeEnd) from RFIDEvent
```

The example below performs the same test as above but does not include endpoints (open range includes neither endpoint):

```
select timeTaken.between(timeStart, timeEnd, false, false) from RFIDEvent
```

If the range end value is less than the range start value, the algorithm reverses the range start and end value.

If the input date-time value or any of the parameter values evaluate to null the method returns a null result value.

12.3.2. Format

The `format` date-time method formats the date-time returning a string.

The method takes either no parameter or a single format parameter.

12.3.2.1. Format with Default Formatter

When passing no parameter, the method returns the date-time value formatted using the default formatter as follows:

Table 12.2. RoundHalf Examples

Input	String Formatter
<code>long, Date, Calendar</code>	<code>new SimpleDateFormat()</code>
<code>java.time.LocalDateTime</code>	<code>DateTimeFormatter.ISO_DATE_TIME</code>
<code>java.time.ZonedDateTime</code>	<code>DateTimeFormatter.ISO_ZONED_DATE_TIME</code>

The example below outputs the time-taken property value of the RFID event:

```
select timeTaken.format() as timeTakenStr from RFIDEvent
```

12.3.2.2. Providing a Format

For input values that are `long`-typed, `Date`-typed or `Calendar`-typed you must provide an expression that returns either:

- A `String`-type format that adheres to `SimpleDateFormat` rules.

- A `DateFormat` instance.

For input values that are `LocalDateTime`-typed or `ZonedDateTime`-typed you must provide an expression that returns either:

- A `String`-type format that adheres to `DateTimeFormatter` rules.
- A `DateTimeFormatter` instance.

The runtime evaluates the format expression at statement compilation time therefore the format expression must return a value that is not computed from time or events.

For example:

```
select timeTaken.format('yyyy.MM.dd G 'at' HH:mm:ss') from RFIDEvent
```

```
select timeTaken.format(SimpleDateFormat.getDateInstance()) from RFIDEvent
```

```
select localDateTime.format(java.time.format.DateTimeFormatter.BASIC_ISO_DATE)
from RFIDEvent
```

12.3.3. Get (By Field)

The `get` date-time method returns the value of the given date-time value field.

The method takes a single string-constant field name as parameter. Please see [Section 5.2.1, “Specifying Time Periods”](#) for a list of recognized keywords (not case-sensitive).

The method returns the numeric value of the field within the date-time value. The value returned adheres to `Calendar`-class semantics: For example, the value for `month` starts at zero and has a maximum of 11 (Note: for `LocalDateTime` and `ZonedDateTime` the range for `month` is 1 to 12).

The example below outputs the month value of the time-taken property value of the RFID event:

```
select timeTaken.get('month') as timeTakenMonth from RFIDEvent
```

12.3.4. Get (By Name)

The following list of getter-methods are available: `getMillisOfSecond()`, `getSecondOfMinute()`, `getMinuteOfHour()`, `getHourOfDay()`, `getDayOfWeek()`,

`getDayOfMonth()`, `getDayOfYear()`, `getWeekYear()`, `getMonthOfYear()`, `getYear()` and `getEra()`.

All `get`-methods take no parameter and return the numeric value of the field within the date-time value. The value returned adheres to `Calendar`-class semantics: For example, the value for `month` starts at zero and has a maximum of 11 (Note: for `LocalDateTime` and `ZonedDateTime` the range for `month` is 1 to 12).

The example below outputs the month value of the time-taken property value of the RFID event:

```
select timeTaken.getMonthOfYear() as timeTakenMonth from RFIDEvent
```

12.3.5. Minus

The `minus` date-time method returns a date-time with the specified duration taken away.

The method has two versions: The first version takes the duration as a long-type millisecond value. The second version takes the duration as a time-period expression, see [Section 5.2.1, “Specifying Time Periods”](#).

The example below demonstrates the time-period parameter to subtract two minutes from the time-taken property value of the RFID event:

```
select timeTaken.minus(2 minutes) as timeTakenMinus2Min from RFIDEvent
```

The next example is equivalent but passes a millisecond-value instead:

```
select timeTaken.minus(2*60*1000) as timeTakenMinus2Min from RFIDEvent
```

12.3.6. Plus

The `plus` date-time method returns a date-time with the specified duration added.

The method has two versions: The first version takes the duration as a long-type millisecond value. The second version takes the duration as a time-period expression, see [Section 5.2.1, “Specifying Time Periods”](#).

The next example adds two minutes to the time-taken property value of the RFID event:

```
select timeTaken.plus(2 minutes) as timeTakenPlus2Min from RFIDEvent
```

The next example is equivalent but passes a millisecond-value instead:

```
select timeTaken.plus(2*60*1000) as timeTakenPlus2Min from RFIDEvent
```

12.3.7. RoundCeiling

The `roundCeiling` date-time method rounds to the highest whole unit of the date-time field.

The method takes a single string-constant field name as parameter. Please see [Section 5.2.1, “Specifying Time Periods”](#) for a list of recognized keywords (not case-sensitive).

The next example rounds-to-ceiling the minutes of the time-taken property value of the RFID event:

```
select timeTaken.roundCeiling('min') as timeTakenRounded from RFIDEvent
```

If the input time is `2002-05-30 09:01:23.050`, for example, the output is `2002-05-30 09:02:00.000` (example timestamps are in format `yyyy-MM-dd HH:mm:ss.SSS`).

12.3.8. RoundFloor

The `roundFloor` date-time method rounds to the lowest whole unit of the date-time field.

The method takes a single string-constant field name as parameter. Please see [Section 5.2.1, “Specifying Time Periods”](#) for a list of recognized keywords (not case-sensitive).

The next example rounds-to-floor the minutes of the time-taken property value of the RFID event:

```
select timeTaken.roundFloor('min') as timeTakenRounded from RFIDEvent
```

If the input time is `2002-05-30 09:01:23.050`, for example, the output is `2002-05-30 09:01:00.000` (example timestamps are in format `yyyy-MM-dd HH:mm:ss.SSS`).

12.3.9. RoundHalf

The `roundFloor` date-time method rounds to the nearest whole unit of the date-time field.

The method takes a single string-constant field name as parameter. Please see [Section 5.2.1, “Specifying Time Periods”](#) for a list of recognized keywords (not case-sensitive).

The next example rounds the minutes of the time-taken property value of the RFID event:

```
select timeTaken.roundHalf('min') as timeTakenRounded from RFIDEvent
```

The following table provides a few examples of the rounding (example timestamps are in format `yyyy-MM-dd HH:mm:ss.SSS`):

Table 12.3. RoundHalf Examples

Input	Output
2002-05-30 09:01:23.050	2002-05-30 09:01:00.000
2002-05-30 09:01:29.999	2002-05-30 09:01:00.000
2002-05-30 09:01:30.000	2002-05-30 09:02:00.000

This method is not support for `LocalDateTime` and `ZonedDateTime` input values.

12.3.10. Set (By Field)

The `set` date-time method returns a date-time with the specified field set to the value returned by an expression.

The method takes a string-constant field name and an expression returning an integer-value as parameters. Please see [Section 5.2.1, “Specifying Time Periods”](#) for a list of recognized keywords (not case-sensitive).

The method returns the new date-time value with the field set to the provided value. Note that value adheres to `Calendar`-class semantics: For example, the value for `month` starts at zero and has a maximum of 11 (Note: for `LocalDateTime` and `ZonedDateTime` the range for month is 1 to 12).

The example below outputs the time-taken with the value for month set to April:

```
select timeTaken.set('month', 3) as timeTakenMonth from RFIDEvent
```

12.3.11. WithDate

The `withDate` date-time method returns a date-time with the specified date, retaining the time fields.

The method takes three expressions as parameters: An expression for year, month and day.

The method returns the new date-time value with the date fields set to the provided values. For expressions returning null the method ignores the field for which null is returned. Note the `Calendar`-class semantics: For example, the value for `month` starts at zero and has a maximum of 11.

The example below outputs the time-taken with the date set to May 30, 2002:

```
select timeTaken.withDate(2002, 4, 30) as timeTakenDated from RFIDEvent
```

12.3.12. WithMax

The `withMax` date-time method returns a date-time with the field set to the maximum value for the field.

The method takes a string-constant field name as parameter. Please see [Section 5.2.1, “Specifying Time Periods”](#) for a list of recognized keywords (not case-sensitive).

The method returns the new date-time value with the specific date field set to the maximum value.

The example below outputs the time-taken property value with the second-part as 59 seconds:

```
select timeTaken.withMax('sec') as timeTakenMaxSec from RFIDEvent
```

12.3.13. WithMin

The `withMin` date-time method returns a date-time with the field set to the minimum value for the field.

The method takes a string-constant field name as parameter. Please see [Section 5.2.1, “Specifying Time Periods”](#) for a list of recognized keywords (not case-sensitive).

The method returns the new date-time value with the specific date field set to the minimum value.

The example below outputs the time-taken property value with the second-part as 0 seconds:

```
select timeTaken.withMin('sec') as timeTakenMaxSec from RFIDEvent
```

12.3.14. WithTime

The `withTime` date-time method returns a date-time with the specified time, retaining the date fields.

The method takes four expressions as parameters: An expression for hour, minute, second and millisecond.

The method returns the new date-time value with the time fields set to the provided values. For expressions returning null the method ignores the field for which null is returned.

The example below outputs the time-taken with the time set to 9am:

```
select timeTaken.withTime(9, 0, 0, 0) as timeTakenDated from RFIDEvent
```

12.3.15. ToCalendar

The `toCalendar` date-time method returns the `Calendar` object for this date-time value.

The method takes no parameters.

The example below outputs the time-taken as a `Calendar` object:

```
select timeTaken.toCalendar() as timeTakenCal from RFIDEvent
```

12.3.16. ToDate

The `toDate` date-time method returns the `Date` object for this date-time value.

The method takes no parameters.

The example below outputs the time-taken as a `Date` object:

```
select timeTaken.toDate() as timeTakenDate from RFIDEvent
```

12.3.17. ToMillisec

The `toMillisec` date-time method returns the long-typed millisecond value for this date-time value.

The method takes no parameters.

The example below outputs the time-taken as a long-typed `millisecond` value:

```
select timeTaken.toMillisec() as timeTakenLong from RFIDEvent
```

12.4. Interval Algebra Reference

Interval algebra methods compare start and end timestamps of events or timestamps in general.

When the expression input is only a timestamp value, such as a long-type value or a `Date` or `Calendar` object, the start and end timestamp represented by that value are the same timestamp value.

When expression input is an event stream alias, the compiler determine the event type for the stream. If the event type declares a start timestamp property name, the compiler uses that start timestamp property to determine the start timestamp for the event. If the event type also declares an end timestamp property name, the compiler uses that end timestamp property to determine the end timestamp for the event (i.e. an event with duration). If an end timestamp property name

is not declared, the start and end timestamp for each event is the same value and the event is considered to have zero duration (i.e. a point-in-time event).

Interval algebra methods all return `Boolean`-type value. When the input value start timestamp is null, or the end timestamp (if declared for the event type) is null or any of the start timestamp and end timestamp (if declared for the event type) values of the first parameter is null, the result value is null.

12.4.1. Examples

The examples in this section simply use `A` and `B` as event type names. The alias `a` is used to represent `A`-type events and respectively the alias `b` represents `B`-type events.

The `create-schema` for types `A` and `B` is shown next. The two types are declared the same. The example declares the property providing start timestamp values as `startts` and the property providing end timestamp values as `endts`:

```
create schema A as (startts long, endts long) starttimestamp 'startts'
endtimestamp 'endts'
```

```
create schema B as (startts long, endts long) starttimestamp 'startts'
endtimestamp 'endts'
```

The sample EPL below joins the last `A` and the last `B` event. It detects `A-B` event combinations for which, when comparing timestamps, the last `A` event that occurs before the last `B` event. The example employs the `before` method:

```
select * from A#lastevent as a, B#lastevent as b where a.before(b)
```

For simplicity, the examples in this section refer to `A` and the alias `a` as the input event. The examples refer to `B` and the alias `b` as the parameter event.

12.4.2. Interval Algebra Parameters

The first parameter of each interval algebra methods is the event or timestamp to compare to.

All remaining parameters to interval algebra methods are intervals and can be any of the following:

1. A constant, an event property or more generally any expression returning a numeric value that is the number of seconds. For example, in the expression `a.before(b, 2)` the parameter `2` is interpreted to mean 2 seconds. The expression `a.before(b, myIntervalProperty)` is interpreted to mean `myIntervalProperty` seconds.

2. A time period expression as described in [Section 12.4.11, “Includes”](#). For example:
`a.before(b, 1 hour 2 minutes).`

When an interval parameter is provided and is null, the method result value is null.

12.4.3. Performance

The compiler analyzes interval algebra methods as well as the `between` date-time method in the where-clause and builds a query plan for execution of joins and subqueries. The query plan can include hash and btree index lookups using the start and end timestamps as computed by expressions or provided by events as applicable. Consider turning on query plan logging to obtain information on the query plan used.

The query planning is generally most effective when no additional thresholds or ranges are provided to interval algebra methods, as the query planner may not consider an interval algebra method that it cannot plan.

The query planner may also not optimally plan the query execution if events or expressions return different types of date representation. Query planning works best if all date representations use the same long, Date or Calendar types.

12.4.4. Limitations

Date-time method that change date or time fields, such as `withTime`, `withDate`, `set` or `round` methods set the end timestamp to the start timestamp.

For example, in the following expression the parameter to the `after` method has a zero duration, and not the end timestamp that the event `B` `endts` property provides.

```
a.after(b.withTime(9, 0, 0, 0))
```

12.4.5. After

The `after` date-time method returns true if an event happens after another event, or a timestamp is after another timestamp.

The method compares the input value's start timestamp (`a.startTimestamp`) to the first parameter's end timestamp (`b.endTimestamp`) to determine whether A happens after B.

If used with one parameter, for example in `a.after(b)`, the method returns true if A starts after B ends.

Sample EPL:

```
select * from A#lastevent as a, B#lastevent as b where a.after(b)
// Above matches when:
```

```
// a.startTimestamp - b.endTimestamp > 0
```

If providing two parameters, for example in `a.after(b, 5 sec)`, the method returns true if A starts at least 5 seconds after B ends.

Sample EPL:

```
select * from A#lastevent as a, B#lastevent as b where a.after(b, 5 sec)
// Above matches when:
// a.startTimestamp - b.endTimestamp >= 5 seconds
```

If providing three parameters, for example in `a.after(b, 5 sec, 10 sec)`, the method returns true if A starts at least 5 seconds but no more than 10 seconds after B ends.

Sample EPL:

```
select * from A#lastevent as a, B#lastevent as b where a.after(b, 5 sec, 10 sec)
// Above matches when:
// 5 seconds <= a.startTimestamp - b.endTimestamp <= 10 seconds
```

Negative values for the range are allowed. For example in `a.after(b, -5 sec, -10 sec)`, the method returns true if A starts at least 5 seconds but no more than 10 seconds before B ends.

If the range low endpoint is greater than the range high endpoint, the compiler automatically reverses them. Thus `a.after(b, 10 sec, 5 sec)` is the same semantics as `a.after(b, 5 sec, 10 sec)`.

12.4.6. Before

The `before` date-time method returns true if an event happens before another event, or a timestamp is before another timestamp.

The method compares the input value's end timestamp (`a.endTimestamp`) and the first parameter's start timestamp (`b.startTimestamp`) to determine whether A happens before B.

If used with one parameter, for example in `a.before(b)`, the method returns true if A ends before B starts.

Sample EPL:

```
select * from A#lastevent as a, B#lastevent as b where a.before(b)
// Above matches when:
// b.startTimestamp - a.endTimestamp > 0
```


If providing two parameters, for example in `a.before(b, 5 sec)`, the method returns true if A ends at least 5 seconds before B starts.

Sample EPL:

```
select * from A#lastevent as a, B#lastevent as b where a.before(b, 5 sec)
// Above matches when:
//   b.startTimestamp - a.endTimestamp >= 5 seconds
```

If providing three parameters, for example in `a.before(b, 5 sec, 10 sec)`, the method returns true if A ends at least 5 seconds but no more than 10 seconds before B starts.

Sample EPL:

```
select * from A#lastevent as a, B#lastevent as b where a.before(b, 5 sec, 10 sec)
// Above matches when:
//   5 seconds <= b.startTimestamp - a.endTimestamp <= 10 seconds
```

Negative values for the range are allowed. For example in `a.before(b, -5 sec, -10 sec)`, the method returns true if A starts at least 5 seconds but no more than 10 seconds after B starts.

If the range low endpoint is greater than the range high endpoint, the compiler automatically reverses them. Thus `a.before(b, 10 sec, 5 sec)` is the same semantics as `a.before(b, 5 sec, 10 sec)`.

12.4.7. Coincides

The `coincides` date-time method returns true if an event and another event happen at the same time, or two timestamps are the same value.

The method compares the input value's start and end timestamp with the first parameter's start and end timestamp and determines if they equal.

If used with one parameter, for example in `a.coincides(b)`, the method returns true if the start timestamp of A and B are the same and the end timestamps of A and B are also the same.

Sample EPL:

```
select * from A#lastevent as a, B#lastevent as b where a.coincides(b)
// Above matches when:
//   a.startTimestamp = b.startTimestamp and a.endTimestamp = b.endTimestamp
```

If providing two parameters, for example in `a.coincides(b, 5 sec)`, the method returns true if the difference between the start timestamps of A and B is equal to or less than 5 seconds and the difference between the end timestamps of A and B is also equal to or less than 5 seconds.

Sample EPL:

```
select * from A#lastevent as a, B#lastevent as b where a.coincides(b, 5 sec)
// Above matches when:
//   abs(a.startTimestamp - b.startTimestamp) <= 5 sec and
//   abs(a.endTimestamp - b.endTimestamp) <= 5 sec
```

If providing three parameters, for example in `a.coincides(b, 5 sec, 10 sec)`, the method returns true if the difference between the start timestamps of A and B is equal to or less than 5 seconds and the difference between the end timestamps of A and B is equal to or less than 10 seconds.

Sample EPL:

```
select * from A#lastevent as a, B#lastevent as b where a.coincides(b, 5 sec,
  10 sec)
// Above matches when:
//   abs(a.startTimestamp - b.startTimestamp) <= 5 seconds and
//   abs(a.endTimestamp - b.endTimestamp) <= 10 seconds
```

A negative value for interval parameters is not allowed. If your interval parameter is itself an expression that returns a negative value the runtime logs a warning message and returns null.

12.4.8. During

The `during` date-time method returns true if an event happens during the occurrence of another event, or when a timestamp falls within the occurrence of an event..

The method determines whether the input value's start and end timestamp are during the first parameter's start and end timestamp. The symmetrical opposite is [Section 12.4.11, "Includes"](#).

If used with one parameter, for example in `a.during(b)`, the method returns true if the start timestamp of A is after the start timestamp of B and the end timestamp of A is before the end timestamp of B.

Sample EPL:

```
select * from A#lastevent as a, B#lastevent as b where a.during(b)
// Above matches when:
//   b.startTimestamp < a.startTimestamp <= a.endTimestamp < b.endTimestamp
```

If providing two parameters, for example in `a.during(b, 5 sec)`, the method returns true if the difference between the start timestamps of A and B is equal to or less than 5 seconds and the difference between the end timestamps of A and B is also equal to or less than 5 seconds.

Sample EPL:

```
select * from A#lastevent as a, B#lastevent as b where a.during(b, 5 sec)
// Above matches when:
// 0 < a.startTimestamp - b.startTimestamp <= 5 sec and
// 0 < a.endTimestamp - b.endTimestamp <= 5 sec
```

If providing three parameters, for example in `a.during(b, 5 sec, 10 sec)`, the method returns true if the difference between the start timestamps of A and B and the difference between the end timestamps of A and B is between 5 and 10 seconds.

Sample EPL:

```
select * from A#lastevent as a, B#lastevent as b where a.during(b, 5 sec, 10 sec)
// Above matches when:
// 5 seconds <= a.startTimestamp - b.startTimestamp <= 10 seconds and
// 5 seconds <= a.endTimestamp - b.endTimestamp <= 10 seconds
```

If providing five parameters, for example in `a.during(b, 5 sec, 10 sec, 20 sec, 30 sec)`, the method returns true if the difference between the start timestamps of A and B is between 5 seconds and 10 seconds and the difference between the end timestamps of A and B is between 20 seconds and 30 seconds.

Sample EPL:

```
select * from A#lastevent as a, B#lastevent as b
  where a.during(b, 5 sec, 10 sec, 20 sec, 30 sec)
// Above matches when:
// 5 seconds <= a.startTimestamp - b.startTimestamp <= 10 seconds and
// 20 seconds < a.endTimestamp - b.endTimestamp <= 30 seconds
```

12.4.9. Finishes

The `finishes` date-time method returns true if an event starts after another event starts and the event ends at the same time as the other event.

The method determines whether the input value's start timestamp is after the first parameter's start timestamp and the end timestamp of the input value and the first parameter are the same. The symmetrical opposite is [Section 12.4.10, "Finished By"](#).

If used with one parameter, for example in `a.finishes(b)`, the method returns true if the start timestamp of A is after the start timestamp of B and the end timestamp of A and B are the same.

Sample EPL:

```
select * from A#lastevent as a, B#lastevent as b where a.finishes(b)
// Above matches when:
//   b.startTimestamp < a.startTimestamp and a.endTimestamp = b.endTimestamp
```

If providing two parameters, for example in `a.finishes(b, 5 sec)`, the method returns true if the start timestamp of A is after the start timestamp of B and the difference between the end timestamps of A and B is equal to or less than 5 seconds.

Sample EPL:

```
select * from A#lastevent as a, B#lastevent as b where a.finishes(b, 5 sec)
// Above matches when:
//   b.startTimestamp < a.startTimestamp and
//   abs(a.endTimestamp - b.endTimestamp) <= 5 seconds
```

A negative value for interval parameters is not allowed. If your interval parameter is itself an expression that returns a negative value the runtime logs a warning message and returns null.

12.4.10. Finished By

The `finishedBy` date-time method returns true if an event starts before another event starts and the event ends at the same time as the other event.

The method determines whether the input value's start timestamp happens before the first parameter's start timestamp and the end timestamp of the input value and the first parameter are the same. The symmetrical opposite is [Section 12.4.9, "Finishes"](#).

If used with one parameter, for example in `a.finishedBy(b)`, the method returns true if the start timestamp of A is before the start timestamp of B and the end timestamp of A and B are the same.

Sample EPL:

```
select * from A#lastevent as a, B#lastevent as b where a.finishedBy(b)
// Above matches when:
//   a.startTimestamp < b.startTimestamp and a.endTimestamp = b.endTimestamp
```

If providing two parameters, for example in `a.finishedBy(b, 5 sec)`, the method returns true if the start timestamp of A is before the start timestamp of B and the difference between the end timestamps of A and B is equal to or less than 5 seconds.

Sample EPL:

```
select * from A#lastevent as a, B#lastevent as b where a.finishedBy(b, 5 sec)
// Above matches when:
```

```
// a.startTimestamp < b.startTimestamp and
// abs(a.endTimestamp - b.endTimestamp ) <= 5 seconds
```

12.4.11. Includes

The `includes` date-time method returns true if the parameter event happens during the occurrence of the input event, or when a timestamps falls within the occurrence of an event.

The method determines whether the first parameter's start and end timestamp are during the input value's start and end timestamp. The symmetrical opposite is [Section 12.4.8, "During"](#).

If used with one parameter, for example in `a.includes(b)`, the method returns true if the start timestamp of B is after the start timestamp of A and the end timestamp of B is before the end timestamp of A.

Sample EPL:

```
select * from A#lastevent as a, B#lastevent as b where a.includes(b)
// Above matches when:
// a.startTimestamp < b.startTimestamp <= b.endTimestamp < a.endTimestamp
```

If providing two parameters, for example in `a.includes(b, 5 sec)`, the method returns true if the difference between the start timestamps of A and B is equal to or less than 5 seconds and the difference between the end timestamps of A and B is also equal to or less than 5 seconds.

Sample EPL:

```
select * from A#lastevent as a, B#lastevent as b where a.includes(b, 5 sec)
// Above matches when:
// 0 < b.startTimestamp - a.startTimestamp <= 5 sec and
// 0 < a.endTimestamp - b.endTimestamp <= 5 sec
```

If providing three parameters, for example in `a.includes(b, 5 sec, 10 sec)`, the method returns true if the difference between the start timestamps of A and B and the difference between the end timestamps of A and B is between 5 and 10 seconds.

Sample EPL:

```
select * from A#lastevent as a, B#lastevent as b where a.includes(b, 5 sec,
10 sec)
// Above matches when:
// 5 seconds <= a.startTimestamp - b.startTimestamp <= 10 seconds and
// 5 seconds <= a.endTimestamp - b.endTimestamp <= 10 seconds
```

If providing five parameters, for example in `a.includes(b, 5 sec, 10 sec, 20 sec, 30 sec)`, the method returns true if the difference between the start timestamps of A and B is between 5 seconds and 10 seconds and the difference between the end timestamps of A and B is between 20 seconds and 30 seconds.

Sample EPL:

```
select * from A#lastevent as a, B#lastevent as b
  where a.includes(b, 5 sec, 10 sec, 20 sec, 30 sec)
// Above matches when:
//   5 seconds <= a.startTimestamp - b.startTimestamp <= 10 seconds and
//   20 seconds <= a.endTimestamp - b.endTimestamp <= 30 seconds
```

12.4.12. Meets

The `meets` date-time method returns true if the event's end time is the same as another event's start time.

The method compares the input value's end timestamp and the first parameter's start timestamp and determines whether they equal.

If used with one parameter, for example in `a.meets(b)`, the method returns true if the end timestamp of A is the same as the start timestamp of B.

Sample EPL:

```
select * from A#lastevent as a, B#lastevent as b where a.meets(b)
// Above matches when:
//   a.endTimestamp = b.startTimestamp
```

If providing two parameters, for example in `a.meets(b, 5 sec)`, the method returns true if the difference between the end timestamp of A and the start timestamp of B is equal to or less than 5 seconds.

Sample EPL:

```
select * from A#lastevent as a, B#lastevent as b where a.meets(b, 5 sec)
// Above matches when:
//   abs(b.startTimestamp - a.endTimestamp) <= 5 seconds
```

A negative value for the interval parameter is not allowed. If your interval parameter is itself an expression that returns a negative value the runtime logs a warning message and returns null.

12.4.13. Met By

The `metBy` date-time method returns true if the event's start time is the same as another event's end time.

The method compares the input value's start timestamp and the first parameter's end timestamp and determines whether they equal.

If used with one parameter, for example in `a.metBy(b)`, the method returns true if the start timestamp of A is the same as the end timestamp of B.

Sample EPL:

```
select * from A#lastevent as a, B#lastevent as b where a.metBy(b)
// Above matches when:
//   a.startTimestamp = b.endTimestamp
```

If providing two parameters, for example in `a.metBy(b, 5 sec)`, the method returns true if the difference between the end timestamps of B and the start timestamp of A is equal to or less than 5 seconds.

Sample EPL:

```
select * from A#lastevent as a, B#lastevent as b where a.metBy(b, 5 sec)
// Above matches when:
//   abs(a.startTimestamp - b.endTimestamp) <= 5 seconds
```

A negative value for the interval parameter is not allowed. If your interval parameter is itself an expression that returns a negative value the runtime logs a warning message and returns null.

12.4.14. Overlaps

The `overlaps` date-time method returns true if the event starts before another event starts and finishes after the other event starts, but before the other event finishes (events have an overlapping period of time).

The method determines whether the input value's start and end timestamp indicate an overlap with the first parameter's start and end timestamp, such that A starts before B starts and A ends after B started but before B ends.

If used with one parameter, for example in `a.overlaps(b)`, the method returns true if the start timestamp of A is before the start timestamp of B and the end timestamp of A is before the end timestamp of B.

Sample EPL:

```
select * from A#lastevent as a, B#lastevent as b where a.overlaps(b)
// Above matches when:
//   a.startTimestamp < b.startTimestamp < a.endTimestamp < b.endTimestamp
```

If providing two parameters, for example in `a.overlaps(b, 5 sec)`, the method returns true if, in addition, the difference between the end timestamp of A and the start timestamp of B is equal to or less than 5 seconds.

Sample EPL:

```
select * from A#lastevent as a, B#lastevent as b where a.overlaps(b, 5 sec)
// Above matches when:
//   a.startTimestamp < b.startTimestamp < a.endTimestamp < b.endTimestamp and
//   0 <= a.endTimestamp - b.startTimestamp <= 5 seconds
```

If providing three parameters, for example in `a.overlaps(b, 5 sec, 10 sec)`, the method returns true if, in addition, the difference between the end timestamp of A and the start timestamp of B is between 5 and 10 seconds.

Sample EPL:

```
select * from A#lastevent as a, B#lastevent as b where a.overlaps(b, 5 sec,
  10 sec)
// Above matches when:
//   a.startTimestamp < b.startTimestamp < a.endTimestamp < b.endTimestamp and
//   5 seconds <= a.endTimestamp - b.startTimestamp <= 10 seconds
```

12.4.15. Overlapped By

The `overlappedBy` date-time method returns true if the parameter event starts before the input event starts and the parameter event finishes after the input event starts, but before the input event finishes (events have an overlapping period of time).

The method determines whether the input value's start and end timestamp indicate an overlap with the first parameter's start and end timestamp, such that B starts before A starts and B ends after A started but before A ends.

If used with one parameter, for example in `a.overlappedBy(b)`, the method returns true if the start timestamp of B is before the start timestamp of A and the end timestamp of B and is before the end timestamp of A.

Sample EPL:


```
select * from A#lastevent as a, B#lastevent as b where a.overlappedBy(b)
// Above matches when:
//   b.startTimestamp < a.startTimestamp < b.endTimestamp < a.endTimestamp
```

If providing two parameters, for example in `a.overlappedBy(b, 5 sec)`, the method returns true if, in addition, the difference between the end timestamp of B and the start timestamp of A is equal to or less than 5 seconds.

Sample EPL:

```
select * from A#lastevent as a, B#lastevent as b where a.overlappedBy(b, 5 sec)
// Above matches when:
//   b.startTimestamp < a.startTimestamp < b.endTimestamp < a.endTimestamp and
//   0 <= b.endTimestamp - a.startTimestamp <= 5 seconds
```

If providing three parameters, for example in `a.overlappedBy(b, 5 sec, 10 sec)`, the method returns true if, in addition, the difference between the end timestamp of B and the start timestamp of A is between 5 and 10 seconds.

Sample EPL:

```
select * from A#lastevent as a, B#lastevent as b where a.overlappedBy(b, 5 sec,
  10 sec)
// Above matches when:
//   b.startTimestamp < a.startTimestamp < b.endTimestamp < a.endTimestamp and
//   5 seconds <= b.endTimestamp - a.startTimestamp <= 10 seconds
```

12.4.16. Starts

The `starts` date-time method returns true if an event and another event start at the same time and the event's end happens before the other event's end.

The method determines whether the start timestamps of the input value and the first parameter are the same and the end timestamp of the input value is before the end timestamp of the first parameter.

If used with one parameter, for example in `a.starts(b)`, the method returns true if the start timestamp of A and B are the same and the end timestamp of A is before the end timestamp of B.

Sample EPL:

```
select * from A#lastevent as a, B#lastevent as b where a.starts(b)
// Above matches when:
```

```
// a.startTimestamp = b.startTimestamp and a.endTimestamp < b.endTimestamp
```

If providing two parameters, for example in `a.starts(b, 5 sec)`, the method returns true if the difference between the start timestamps of A and B is between is equal to or less then 5 seconds.

Sample EPL:

```
select * from A#lastevent as a, B#lastevent as b where a.starts(b, 5 sec)
// Above matches when:
// abs(a.startTimestamp - b.startTimestamp) <= 5 seconds and
// a.endTimestamp < b.endTimestamp
```

A negative value for the interval parameter is not allowed. If your interval parameter is itself an expression that returns a negative value the runtime logs a warning message and returns null.

12.4.17. Started By

The `startedBy` date-time method returns true if an event and another event start at the same time and the other event's end happens before the input event's end.

The method determines whether the start timestamp of the input value and the first parameter are the same and the end timestamp of the first parameter is before the end timestamp of the input value.

If used with one parameter, for example in `a.startedBy(b)`, the method returns true if the start timestamp of A and B are the same and the end timestamp of B is before the end timestamp of A.

Sample EPL:

```
select * from A#lastevent as a, B#lastevent as b where a.startedBy(b)
// Above matches when:
// a.startTimestamp = b.startTimestamp and b.endTimestamp < a.endTimestamp
```

If providing two parameters, for example in `a.startedBy(b, 5 sec)`, the method returns true if the difference between the start timestamps of A and B is between is equal to or less then 5 seconds.

Sample EPL:

```
select * from A#lastevent as a, B#lastevent as b where a.startedBy(b, 5 sec)
// Above matches when:
// abs(a.startTimestamp - b.startTimestamp) <= 5 seconds and
// b.endTimestamp < a.endTimestamp
```

A negative value for the interval parameter is not allowed. If your interval parameter is itself an expression that returns a negative value the runtime logs a warning message and returns null.

Chapter 13. EPL Reference:

Aggregation Methods

13.1. Overview

Aggregation methods are methods that work with aggregations to perform lookups into aggregation state.

Aggregation methods are stateless and the use of aggregation methods alone does not cause the runtime to retain any events or other state.

There are four types of aggregations that offer aggregation methods:

- The `window` aggregation, see [Section 10.2.2.8, “Window Aggregation Function”](#).
- The `sorted` aggregation, see [Section 10.2.2.7, “Sorted Aggregation Function”](#).
- The `countminsketch` aggregation, see [Section 10.2.3, “Approximation Aggregation Functions”](#).
- Plug-in multi-function aggregations, see [Section 22.5.2, “Aggregation Multi-Function Development”](#).

Aggregation methods are handy when an aggregation organizes events or other data for further lookup. For example, the `sorted` aggregation organizes events according to sort criteria and offers operations for floor, ceiling, higher and lower keys, and many other operations.

Each aggregation makes different aggregation methods available. For example, `sorted` provides the `higherKey` aggregation method. The `higherKey` method is only available for use with the `sorted` aggregation and not with the `window` aggregation.

You may use aggregation methods together with aggregation functions without tables, and you may use aggregation methods with table columns that hold aggregations. Further examples are provided below.

You may also use aggregation methods with enumeration methods, date-time methods and the dot-syntax to access event properties.

13.2. How to Use

13.2.1. Syntax

The syntax for aggregation methods is the same syntax as for any chained invocation:

```
input_aggregation.aggregation_method_name( [method_parameter  
[, method_parameter [...]]]  
.[ [other_method(...) [...]] | property_name]
```

Following the *input_aggregation* input aggregation (options outlined below), is the `.` (dot) operator and the *aggregation_method_name* aggregation method name. It follows, in parenthesis, a comma-separated list of method parameter expressions. Additional enumeration or date-time methods can be chained thereafter. An event property name can follow for those aggregation or enumeration methods returning an event-typed (non-scalar) element.

The examples in this section focus on the `sorted` aggregation.

13.2.2. Use with Aggregation Function

You may use aggregation methods with the respective aggregation function.

The following statement outputs the greatest price strictly less than the current order event price, or null if there is no such value, considering the last 10 minutes of order events.

```
select sorted(price).lowerKey(price) as lowerPrice from OrderEvent#time(10
minutes)
```

13.2.3. Use with Table Column

You may use aggregation methods with table columns.

The sample statement below creates a simple un-keyed table that keeps order events sorted by price:

```
create table OrderPrices(prices sorted(price) @type('OrderEvent'))
```

The next statement aggregates order events into the table column `prices` considering the last 10 minutes of order events (the example specifies priority 1 so the runtime always updates the table before other selects):

```
@Priority(1) into table OrderPrices select sorted(*) as prices from
OrderEvent#time(10 minutes)
```

Now the `prices` column of table `OrderPrices` is ready. The runtime keeps it continually updated from the last 10 minutes of order events.

You may access the table column by providing a table name, column name and the aggregation method. For more information please see [Section 6.3.3, “Table Column Keyed-Access Expressions”](#).

The following statement access the table column to output the first (least) and last (greatest) current price for each order event:

```
select OrderPrices.prices.firstKey() as leastPrice,  
       OrderPrices.prices.lastKey() as greatestPrice  
from OrderEvent
```

You may access the table column by putting the table into the from-clause such as in a subquery or join.

The following statement uses a subquery and outputs the least price as well as the order event itself:

```
select (select prices.firstKey() from OrderPrices) as leastPrice, * from  
OrderEvent
```

13.2.4. Using Dot to Obtain Property Values

Use the dot (.) and the event property name to select an event property of the event, for aggregation methods that return a single event.

The example statement below selects the order id of the least price order:

```
select OrderPrices.prices.firstEvent().orderId as leastPriceOrderId from  
OrderEvent
```

13.2.5. Using Dot to Enumerate Events

Use the dot (.) and an enumeration method to enumerate events returned by aggregation methods that return one or more events.

The example statement below selects the first 3 events among the order events with prices between one and ten:

```
select OrderPrices.prices.eventsbetween(0, true, 10, true).take(3) as  
first3Events from OrderEvent
```

13.3. Aggregation Methods for `Sorted` Aggregations

13.3.1. Overview

This table lists methods for key-up and key-down:

Table 13.1. *sorted* Aggregation Methods For Key Up/Down

Method	Result
ceilingEvent(key)	Returns the first event associated with the least key greater than or equal to the given key, or null if there is no such key. <i>Section 13.3.3, "CeilingEvent, FloorEvent, HigherEvent, LowerEvent, GetEvent".</i>
ceilingEvents(key)	Returns all events associated with the least key greater than or equal to the given key, or null if there is no such key. <i>Section 13.3.4, "CeilingEvents, FloorEvents, HigherEvents, LowerEvents, GetEvents".</i>
ceilingKey(key)	Returns the least key greater than or equal to the given key, or null if there is no such key. <i>Section 13.3.5, "CeilingKey, FloorKey, HigherKey, LowerKey".</i>
floorEvent(key)	Returns the first event associated with the greatest key less than or equal to the given key, or null if there is no such key. <i>Section 13.3.3, "CeilingEvent, FloorEvent, HigherEvent, LowerEvent, GetEvent".</i>
floorEvents(key)	Returns all events associated with the greatest key less than or equal to the given key, or null if there is no such key. <i>Section 13.3.4, "CeilingEvents, FloorEvents, HigherEvents, LowerEvents, GetEvents".</i>
floorKey(key)	Returns the greatest key less than or equal to the given key, or null if there is no such key. <i>Section 13.3.5, "CeilingKey, FloorKey, HigherKey, LowerKey".</i>
higherEvent(key)	Returns the first event associated with the least key strictly greater than the given key, or null if there is no such key. <i>Section 13.3.3, "CeilingEvent, FloorEvent, HigherEvent, LowerEvent, GetEvent".</i>
higherEvents(key)	Returns all events associated with the least key strictly greater than the given key, or null if there is no such key. <i>Section 13.3.4, "CeilingEvents, FloorEvents, HigherEvents, LowerEvents, GetEvents".</i>
higherKey(key)	Returns the least key strictly greater than the given key, or null if there is no such key. <i>Section 13.3.5, "CeilingKey, FloorKey, HigherKey, LowerKey".</i>

Method	Result
<code>lowerEvent(key)</code>	Returns the first event associated with the greatest key strictly less than the given key, or null if there is no such key. Section 13.3.3, “CeilingEvent, FloorEvent, HigherEvent, LowerEvent, GetEvent” .
<code>lowerEvents(key)</code>	Returns all events associated with the greatest key strictly less than the given key, or null if there is no such key. Section 13.3.4, “CeilingEvents, FloorEvents, HigherEvents, LowerEvents, GetEvents” .
<code>lowerKey(key)</code>	Returns the greatest key strictly less than the given key, or null if there is no such key. Section 13.3.5, “CeilingKey, FloorKey, HigherKey, LowerKey” .

This table lists methods for least and greatest:

Table 13.2. `sorted` Aggregation Methods For Key First/Last

Method	Result
<code>firstEvent()</code> or <code>minBy()</code>	Returns the first event associated with the least key, or null if empty. Section 13.3.6, “FirstEvent, LastEvent, MinBy, MaxBy” .
<code>firstEvents()</code>	Returns all events associated with the least key, or null if empty. Section 13.3.7, “FirstEvents, LastEvents” .
<code>firstKey()</code>	Returns the first (least) key. Section 13.3.8, “FirstKey, LastKey” .
<code>lastEvent()</code> or <code>maxBy()</code>	Returns the first event associated with the greatest key, or null if empty. Section 13.3.6, “FirstEvent, LastEvent, MinBy, MaxBy” .
<code>lastEvents()</code>	Returns all events associated with the greatest key, or null if empty. Section 13.3.7, “FirstEvents, LastEvents” .
<code>lastKey()</code>	Returns the last (greatest) key. Section 13.3.8, “FirstKey, LastKey” .

This table lists methods for getting for specific keys, checking contains and getting counts:

Table 13.3. *sorted* Aggregation Methods For Get, Contains, Count

Method	Result
<code>containsKey(key)</code>	Returns true if the aggregation contains the specified key. Section 13.3.9, “ContainsKey” .
<code>countEvents()</code>	Returns the number of events in the aggregation. Section 13.3.10, “CountEvents” .
<code>countKeys()</code>	Returns the number of keys in the aggregation. Section 13.3.11, “CountKeys” .
<code>getEvent(key)</code>	Returns the first event for the specified key, or null if there is no such key. Section 13.3.3, “CeilingEvent, FloorEvent, HigherEvent, LowerEvent, GetEvent” .
<code>getEvents(key)</code>	Returns all events for the specified key, or null if there is no such key. Section 13.3.4, “CeilingEvents, FloorEvents, HigherEvents, LowerEvents, GetEvents” .

This table lists methods for sub-map, between-values and reference:

Table 13.4. *sorted* Aggregation Methods For Submap, Between and Reference

Method	Result
<code>eventsBetween(fromKey, fromInclusive, toKey, toInclusive)</code>	Returns all events of a portion of this aggregation whose keys range from <code>fromKey</code> to <code>toKey</code> . Section 13.3.12, “EventsBetween” .
<code>submap(fromKey, fromInclusive, toKey, toInclusive)</code>	Returns a submap of type <code>NavigableMap<Object, Object[]></code> that is a navigable map containing keys and events of the portion of the aggregation whose keys range from <code>fromKey</code> to <code>toKey</code> . Section 13.3.13, “Submap” .
<code>navigableMapReference()</code>	NOTE: This method returns an object that the runtime may concurrently modify and that is only valid for the period of evaluation of the current event or time. Returns a <code>NavigableMap<Object, Collection<EventBean>></code> that is an unmodifiable view of keys and <code>EventBean</code> instances.

Method	Result
	Section 13.3.14, “NavigableMapReference” .

13.3.2. Specifying Composite Keys

Use `com.espertech.esper.common.client.util.HashableMultiKey` when the `sorted` aggregation has multiple keys. E.g. for `sorted(string, double)` use `new HashableMultiKey(orderId, price)`.

13.3.3. `CeilingEvent`, `FloorEvent`, `HigherEvent`, `LowerEvent`, `GetEvent`

The methods accept a single key parameter and return the event or null if an event was not found. If the result is multiple events, the method returns the oldest ceiling/floor/lower/higher/keyed event.

Table 13.5. `sorted` Aggregation Methods - Keyed Returning Single Event

Method	Result
<code>ceilingEvent(key)</code>	Returns the first event associated with the least key greater than or equal to the given key, or null if there is no such key.
<code>floorEvent(key)</code>	Returns the first event associated with the greatest key less than or equal to the given key, or null if there is no such key.
<code>higherEvent(key)</code>	Returns the first event associated with the least key strictly greater than the given key, or null if there is no such key.
<code>lowerEvent(key)</code>	Returns the first event associated with the greatest key strictly less than the given key, or null if there is no such key.
<code>getEvent(key)</code>	Returns the first event for the specified key, or null if there is no such key.

Assuming the `OrderPrices` table exists as defined above, this example statement, when an order event arrives, returns the order event associated with the greatest price strictly less than the given price, or null if there is no such price:

```
select OrderPrices.prices.lowerEvent(price) as lowerPriceEvent from OrderEvent
```

13.3.4. `CeilingEvents`, `FloorEvents`, `HigherEvents`, `LowerEvents`, `GetEvents`

The methods accepts a single key parameter and return all events or null if no events are found.

Table 13.6. `sorted` Aggregation Methods - Keyed Returning Multiple Events

Method	Result
<code>ceilingEvents(key)</code>	Returns all events associated with the least key greater than or equal to the given key, or null if there is no such key.

Method	Result
<code>floorEvents(key)</code>	Returns all events associated with the greatest key less than or equal to the given key, or null if there is no such key.
<code>higherEvents(key)</code>	Returns all events associated with the least key strictly greater than the given key, or null if there is no such key.
<code>lowerEvents(key)</code>	Returns all events associated with the greatest key strictly less than the given key, or null if there is no such key.
<code>getEvents(key)</code>	Returns all events for the specified key, or null if there is no such key.

Assuming the `OrderPrices` table exists as defined above, this example statement, when an order event arrives, returns all order events associated with the greatest price strictly less than the given price, or null if there is no such price:

```
select OrderPrices.prices.lowerEvents(price) as lowerPriceEvents from OrderEvent
```

13.3.5. `CeilingKey`, `FloorKey`, `HigherKey`, `LowerKey`

The methods accepts a single key parameter and return the key or null if no key is found.

Table 13.7. `sorted` Aggregation Methods - Keyed Returning Key

Method	Result
<code>ceilingKey(key)</code>	Returns the least key greater than or equal to the given key, or null if there is no such key.
<code>floorKey(key)</code>	Returns the greatest key less than or equal to the given key, or null if there is no such key.
<code>higherKey(key)</code>	Returns the least key strictly greater than the given key, or null if there is no such key.
<code>lowerKey(key)</code>	Returns the greatest key strictly less than the given key, or null if there is no such key.

Assuming the `OrderPrices` table exists as defined above, this example statement, when an order event arrives, returns the greatest price strictly less than the given price, or null if there is no such price:

```
select OrderPrices.prices.lowerKey(price) as lowerPrice from OrderEvent
```

13.3.6. `FirstEvent`, `LastEvent`, `MinBy`, `MaxBy`

The methods have no parameter and return the first (least) or last (greatest) event or null if an event was not found. If the result is multiple events, the method returns the oldest first/last (least/greatest) event.

Table 13.8. `Sorted` Aggregation Methods - Unparameterized Returning Single Event

Method	Result
<code>firstEvent()</code> or <code>minBy()</code>	Returns the first event associated with the least key, or null if empty.
<code>lastEvent()</code> or <code>maxBy()</code>	Returns the first event associated with the greatest key, or null if empty.

Assuming the `OrderPrices` table exists as defined above, this example statement, when an order event arrives, returns the order event associated with the least price, or null if there is no such price:

```
select OrderPrices.prices.firstEvent() as leastPriceEvent from OrderEvent
```

13.3.7. `FirstEvents`, `LastEvents`

The methods have no parameter and return the first (least) or last (greatest) events or null if no events are found.

Table 13.9. `Sorted` Aggregation Methods - Unparameterized Returning Multiple Events

Method	Result
<code>firstEvents()</code>	Returns all events associated with the least key, or null if empty.
<code>lastEvents()</code>	Returns all events associated with the greatest key, or null if empty.

Assuming the `OrderPrices` table exists as defined above, this example statement, when an order event arrives, returns all order events associated with the least price or null if there is no such price:

```
select OrderPrices.prices.firstEvents(price) as lowerPriceEvents from OrderEvent
```

13.3.8. `FirstKey`, `LastKey`

The methods have no parameter and return the the first (least) or last (greatest) key or null if no key is found.

Table 13.10. *Sorted* Aggregation Methods - Unparameterized Returning Key

Method	Result
<code>firstKey()</code>	Returns the first (least) key.
<code>lastKey()</code>	Returns the last (greatest) key.

Assuming the `OrderPrices` table exists as defined above, this example statement, when an order event arrives, returns the least price or null if there is no such price:

```
select OrderPrices.prices.firstKey() as leastPrice from OrderEvent
```

13.3.9. `ContainsKey`

This method accepts a single key parameter and returns a `boolean`-type value indicating whether the key is found, or null if using tables and the table row is not found.

Assuming the `OrderPrices` table exists as defined above, this example statement, when an order event arrives, returns `true` if a price of zero exists:

```
select OrderPrices.prices.containsKey(0) as priceZeroFound from OrderEvent
```

13.3.10. `CountEvents`

This method has no parameters and returns an `int`-type count of the number of events, or null if using tables and the table row is not found.

Assuming the `OrderPrices` table exists as defined above, this example statement, when an order event arrives, returns the number of events:

```
select OrderPrices.prices.countEvents() as numEvents from OrderEvent
```

13.3.11. `CountKeys`

This method has no parameters and returns an `int`-type count of the number of keys, or null if using tables and the table row is not found.

Assuming the `OrderPrices` table exists as defined above, this example statement, when an order event arrives, returns the number of prices:

```
select OrderPrices.prices.countKeys() as numPrices from OrderEvent
```

13.3.12. EventsBetween

This method accepts four parameters, namely the from-key, the `boolean`-typed from-inclusive indicator, the to-key and the `boolean`-typed to-inclusive indicator. The method returns all events whose keys range from from-key to to-key. If from-key and to-key are equal, the returned value is empty unless from-inclusive and to-inclusive are both true. The from-key must be less or equal to to-key.

Assuming the `OrderPrices` table exists as defined above, this example statement, when an order event arrives, returns all events with prices between one (inclusive) and ten (inclusive):

```
select      OrderPrices.prices.eventsBetween(1,      true,      10,      true)      as
eventsPricedOneToTen from OrderEvent
```

13.3.13. Submap

This method accepts four parameters, namely the from-key, the `boolean`-typed from-inclusive indicator, the to-key and the `boolean`-typed to-inclusive indicator. The method returns an object of type `NavigableMap<Object, Object[]>` that is a shallow copy of all keys of a portion of this aggregation whose keys range from `fromKey` to `toKey`. If from-key and to-key are equal, the returned value is empty unless from-inclusive and to-inclusive are both true. The from-key must be less or equal to to-key.

Assuming the `OrderPrices` table exists as defined above, this example statement, when an order event arrives, returns all keys and events as a navigable map with prices between one (inclusive) and ten (inclusive):

```
select      OrderPrices.prices.submap(1,      true,      10,      true)      as
keysAndEventsPricedOneToTen from OrderEvent
```

The map keys are the key objects. Each map value is an array containing the event underlying object of the events for the key.

Modifications on the map returned by the method are not reflected back into the aggregation state. The map returned by the method is in effect a shallow copy.

13.3.14. NavigableMapReference

This method has no parameters and returns an object of type `NavigableMap<Object, Collection<EventBean>>` that is an unmodifiable view of keys and unmodifiable collections of `EventBean` instances.



Warning

- This method returns an object that the runtime may concurrently modify and that is only valid for the period of evaluation of the current event or time.

Assuming the `OrderPrices` table exists as defined above, this example statement, when an order event arrives, returns all keys and events as a navigable map:

```
select OrderPrices.prices.navigableMapReference() as prices from OrderEvent
```

The map keys are the key objects. Each map value is an a collection of `EventBean` events for the key.

Modifications on the map returned by the method are not allowed. The map returned by the method is in effect a wrapper of the actual aggregation state.

13.4. Aggregation Methods for `Window` Aggregations

13.4.1. Overview

The below table summarizes the built-in aggregation methods for use with the `window` aggregation:

Table 13.11. `Window` Aggregation Methods

Method	Result
<code>listReference()</code>	<p>NOTE: This method returns an object that the runtime may concurrently modify and that is only valid for the period of evaluation of the current event or time.</p> <p>Returns a <code>List<EventBean></code> that is an unmodifiable view of <code>EventBean</code> instances.</p> <p>Section 13.4.3, “ListReference”.</p>
<code>countEvents()</code>	<p>Returns the number of events.</p> <p>Section 13.4.2, “CountEvents”.</p>
<code>first()</code>	<p>Returns the oldest event or null if the aggregation is empty.</p> <p>Section 13.4.4, “First, Last”.</p>
<code>last()</code>	<p>Returns the newest event or null if the aggregation is empty.</p> <p>Section 13.4.4, “First, Last”.</p>

The sample statement below creates a simple un-keyed table that keeps order events:

```
create table OrdersTable(orders window(*) @type('OrderEvent'))
```

The next statement aggregates order events into the table column `orders` considering the last 10 minutes of order events (the example specifies priority 1 so the runtime always updates the table before other selects):

```
@Priority(1) into table OrdersTable select window(*) as orders from
OrderEvent#time(10 minutes)
```

13.4.2. CountEvents

This method has no parameters and returns an `int`-type count of the number of events, or null if using tables and the table row is not found.

Assuming the `OrdersTable` table exists as defined above, this example statement, when an order event arrives, returns the number of events:

```
select OrdersTable.orders.countEvents() as numEvents from OrderEvent
```

13.4.3. ListReference

This method has no parameters and returns an object of type `List<EventBean>` that is an unmodifiable list of `EventBean` instances.



Warning

- This method returns an object that the runtime may concurrently modify and that is only valid for the period of evaluation of the current event or time.

Assuming the `OrdersTable` table exists as defined above, this example statement, when an order event arrives, returns all events as a list:

```
select OrderPrices.orders.listReference() as prices from OrderEvent
```

Modifications on the list returned by the method are not allowed. The list returned by the method is in effect a wrapper of the actual aggregation state.

13.4.4. `First, Last`

The method has no parameter and return the first (oldest) or last (newest) event or null if an event was not found.

Assuming the `OrdersTable` table exists as defined above, this example statement, when an order event arrives, returns the oldest order event, or null if there is no such event:

```
select OrdersTable.orders.first() as oldestOrder from OrderEvent
```

You may optionally specify an event property name as a parameter, in which case the method returns the event property value of the oldest/newest event or null if there is no such event.

13.5. Aggregation Methods for `CountMinSketch` Aggregations

The aggregation methods for count-min sketch are `countMinSketchFrequency` and `countMinSketchTopk` and are already described in [Section 10.2.3, “Approximation Aggregation Functions”](#).

13.6. Aggregation Methods for Custom Plug-In Multi-Function Aggregations

The extension code defines the aggregation methods and their parameters. For more information please see [Section 22.5.2, “Aggregation Multi-Function Development”](#).

Chapter 14. EPL Reference: Data Windows

This chapter outlines the data windows. The section on [Chapter 2, Basic Concepts](#) provides additional information on the relationship of filtering, windows and aggregation. Please also see [Section 5.4.3, “Specifying Data Windows”](#) for the use of windows in the `FROM` clause with streams, patterns and named windows.

Data windows retain incoming events until an expiry policy indicates to release events. Thus data windows are a means of indicating what subset of events to analyze.

Two or more data windows can be combined. This allows a sets of events retained by one data window to be placed into a union or an intersection with the set of events retained by one or more other data windows. Please see [Section 5.4.4, “Multiple Data Windows”](#) for more detail.

The keep-all data window counts as a data window but has no expiry policy: it retains all events received. The grouped-window declaration allocates a new data window per grouping criteria and thereby counts as a data window, but cannot appear alone.

The next table summarizes data windows:

Table 14.1. Built-in Data Windows

Data Window	Syntax	Description
Length Window	<code>length(<i>size</i>)</code>	Sliding length window extending the specified number of elements into the past.
Length Batch Window	<code>length_batch(<i>size</i>)</code>	Tumbling window that batches events and releases them when a given minimum number of events has been collected.
Time Window	<code>time(<i>time period</i>)</code>	Sliding time window extending the specified time interval into the past.
Externally-timed Window	<code>ext_timed(<i>timestamp expression, time period</i>)</code>	Sliding time window, based on the long-type time value supplied by an expression.
Time Batch Window	<code>time_batch(<i>time period</i> [, <i>optional reference point</i>] [, <i>flow control</i>])</code>	Tumbling window that batches events and releases them every specified time interval, with flow control options.

Data Window		Syntax	Description
Externally-timed Window	Batch	<code>ext_timed_batch(<i>timestamp expression, time period</i>[, <i>optional reference point</i>])</code>	Tumbling window that batches events and releases them every specified time interval based on the long-type value supplied by an expression.
Time-Length Combination Window	Batch	<code>time_length_batch(<i>time period, size</i> [, <i>flow control</i>])</code>	Tumbling multi-policy time and length batch window with flow control options.
Time-Accumulating Window		<code>time_accum(<i>time period</i>)</code>	Sliding time window accumulates events until no more events arrive within a given time interval.
Keep-All Window		<code>keepall</code>	The keep-all data window simply retains all events.
Sorted Window		<code>sort(<i>size, sort criteria</i>)</code>	Sorts by values returned by sort criteria expressions and keeps only the top events up to the given size.
Ranked Window		<code>rank(<i>unique criteria(s), size, sort criteria(s)</i>)</code>	Retains only the most recent among events having the same value for the criteria expression(s) sorted by sort criteria expressions and keeps only the top events up to the given size.
Time-Order Window		<code>time_order(<i>timestamp expression, time period</i>)</code>	Orders events that arrive out-of-order, using an expression providing timestamps to be ordered.
Time-To-Live Window		<code>timetolive(<i>timestamp expression</i>)</code>	Retains events until the time returned by the timestamp expression.
Unique Window		<code>unique(<i>unique criteria(s)</i>)</code>	Retains only the most recent among events having the same value for the criteria expression(s). Acts as a length window of size 1 for each distinct expression value.
Grouped Data Window		<code>groupwin(<i>grouping criteria(s)</i>)</code>	Groups events into sub-data-windows by the value of the specified expression(s), generally

Data Window	Syntax	Description
		used to provide a separate data window per group.
Last Event Window	<code>lastevent</code>	Retains the last event, acts as a length window of size 1.
First Event Window	<code>firstevent</code>	Retains the very first arriving event, disregarding all subsequent events.
First Unique Window	<code>firstunique(<i>unique criteria(s)</i>)</code>	Retains only the very first among events having the same value for the criteria expression(s), disregarding all subsequent events for same value(s).
First Length Window	<code>firstlength(<i>size</i>)</code>	Retains the first <i>size</i> events, disregarding all subsequent events.
First Time Window	<code>firsttime(<i>time period</i>)</code>	Retains the events arriving until the time interval has passed, disregarding all subsequent events.
Expiry Expression Window	<code>expr(<i>expiry expression</i>)</code>	Expire events based on the result of an expiry expression passed as a parameter.
Expiry Expression Batch Window	<code>expr_batch(<i>expiry expression</i>)</code>	Tumbling window that batches events and releases them based on the result of an expiry expression passed as a parameter.

There is a special kind of data window that is used less frequently, and is called a derived-value window. They are windows that derive a new value from event streams and post the result as events of a new type. The table below summarizes these special derived-value windows.

Table 14.2. Built-in Derived-Value Data Windows

Data Window	Syntax	Description
Size	<code>size([<i>expression</i>, ...])</code>	Derives a count of the number of events in a data window, or in an insert stream if used without a data window, and optionally provides additional

Data Window	Syntax	Description
		event properties as listed in parameters.
Univariate statistics	<code>uni(<i>value expression</i> [,<i>expression</i>, ...])</code>	Calculates univariate statistics on the values returned by the expression.
Regression	<code>linest(<i>value expression</i>, <i>value expression</i> [,<i>expression</i>, ...])</code>	Calculates regression on the values returned by two expressions.
Correlation	<code>correl(<i>value expression</i>, <i>value expression</i> [,<i>expression</i>, ...])</code>	Calculates the correlation value on the values returned by two expressions.
Weighted average	<code>weighted_avg(<i>value expression</i>, <i>value expression</i> [,<i>expression</i>, ...])</code>	Calculates weighted average given a weight expression and an expression to compute the average for.

14.1. A Note on Data Window Name and Parameters

The syntax for data windows starts with data window name and is followed by optional parameter expressions in parenthesis:

```
name(window_parameters)
```

This example specifies a time window of 5 seconds:

```
select * from StockTickEvent#time(5 sec)
```

EPL organizes built-in data windows in namespaces and names. Windows that provide sliding or tumbling data windows are in the `win` namespace. Other most commonly used windows are in the `std` namespace. The `ext` namespace are window that order events. The `stat` namespace is used for windows that derive statistical data.

Alternatively you may specify the namespace name and `:` colon character.

```
namespace:name(window_parameters)
```

The below examples all specify a time window of 5 seconds:

```
select * from StockTickEvent#time(5 sec)
```

```
select * from StockTickEvent#win:time(5 sec)
```

```
select * from StockTickEvent.win:time(5 sec)
```

All expressions are allowed as parameters to data windows, including expressions that contain variables or substitution parameters for prepared statements. Subqueries, the special `prior` and `prev` functions and aggregations (with the exception of the expression window and expression batch window) are not allowed as data window parameters.

For example, assuming a variable by name `VAR_WINDOW_SIZE` is defined:

```
select * from StockTickEvent#time(VAR_WINDOW_SIZE)
```

The system evaluates expression parameters for data windows at the time of context partition instantiation with the exception of the expression window (`expr`) and expression batch window (`expr_batch`).

Also consider multiple data windows in intersection or union (keywords `retain-intersection` and `retain-union`). Consider writing a custom plug-in data window if your application requires behavior that is not yet provided by any of the built-in windows.

If a window takes no parameters you may leave parenthesis off or the use empty parenthesis `()`.

The below examples all specify a keep-all window:

```
select * from StockTickEvent#keepall
```

```
select * from StockTickEvent#keepall()
```

```
select * from StockTickEvent.win:keepall()
```

```
select * from StockTickEvent.win:keepall
```

Expression parameters can reference context-provided properties. For example:

```
create schema ParameterEvent(windowSize int)
```

```
create context MyContext initiated by ParameterEvent as params terminated after  
1 year
```

```
context MyContext select * from StockTickEvent#length(context.params.windowSize)
```

14.2. A Note on Batch Windows

Batch windows buffer events until a certain threshold is reached and then release the batched events for processing. The released events become the insert stream events and the previous batch of events constitutes the remove stream events. Batch windows thus retain the current and the last batch of events in memory.

It is often desirable to aggregate without retaining events in memory, or with just keeping the current events in memory (and not also the last batch of events). You can declare a context and define what starts and ends a "batch" instead. Contexts provide a large degree of freedom in allowing batches to overlap, in allowing batches to span multiple statements and in allowing batches to have complex start and end conditions. They are further described in [Chapter 4, Context and Context Partitions](#).

This example declares a non-overlapping context that spans a time interval of 3 seconds (i.e. a batch of 3 seconds):

```
create context IntervalSpanning3Seconds start @now end after 3 sec
```

The next example EPL aggregates events without retaining events in memory and outputs at the end of each interval:

```
context IntervalSpanning3Seconds select count(*) from Events output snapshot  
when terminated
```

Here is an example that outputs all events when at least 10 events, in the 3-second interval, have collected:

```
context IntervalSpanning3Seconds select window(*) from Events#keepall having  
count(*) >= 10
```


For the examples above, at the end of each 3-second interval, the runtime discards all data windows and aggregation state. If your application would like 3-second intervals keyed by some fields please consider a nested context declaration with a keyed segmented context, for example:

```
create context PerSymbolInterval3Sec
  context ById partition by symbol from StockTick,
  context Interval3Sec start @now end after 3 sec
```

Batch windows keep not only the current batch in memory but also the previous batch of events. For example, let's say at time 0 an event arrives and enters the batch window. At time 3 seconds (3-second batch window) the event becomes an insert-stream event and the runtime now updates aggregations for that batch (i.e. count goes up to 1). At time 6 seconds the event becomes a remove-stream event and the runtime now updates aggregations for that batch (i.e. count goes down to 0). Since the runtime continually updates aggregations from insert and remove stream events, and does not re-compute aggregations, batch windows follow the same paradigm.

14.3. Data Windows

14.3.1. Length Window (`length` or `win:length`)

This window is a moving (sliding) length window extending the specified number of elements into the past. The window takes a single expression as a parameter providing a numeric size value that defines the window size:

```
length(size_expression)
```

The below example sums the price for the last 5 stock ticks for symbol GE.

```
select sum(price) from StockTickEvent(symbol='GE')#length(5)
```

The next example keeps a length window of 10 events of stock trade events, with a separate window for each symbol. The sum of price is calculated only for the last 10 events for each symbol and aggregates per symbol:

```
select sum(price) from StockTickEvent#groupwin(symbol)#length(10) group by
symbol
```

A length window of 1 is equivalent to the last event window `lastevent`. The `lastevent` data window is the preferred notation:

```
select * from StockTickEvent#lastevent // Prefer this
```

```
// ... equivalent to ...  
select * from StockTickEvent#length(1)
```

14.3.2. Length Batch Window (`length_batch` **or** `win:length_batch`)

This window buffers events (tumbling window) and releases them when a given minimum number of events has been collected. Provide an expression defining the number of events to batch as a parameter:

```
length_batch(size_expression)
```

The next statement buffers events until a minimum of 10 events have collected. Listeners to updates posted by this window receive updated information only when 10 or more events have collected.

```
select * from StockTickEvent#length_batch(10)
```

14.3.3. Time Window (`time` **or** `win:time`)

This window is a moving (sliding) time window extending the specified time interval into the past based on the system time. Provide a time period (see [Section 5.2.1, "Specifying Time Periods"](#)) or an expression defining the number of seconds as a parameter:

```
time(time period)
```

```
time(seconds_interval_expression)
```

For the GE stock tick events in the last 1 second, calculate a sum of price.

```
select sum(price) from StockTickEvent(symbol='GE')#time(1 sec)
```

The following time windows are equivalent specifications:

```
time(2 minutes 5 seconds)  
time(125 sec)  
time(125)  
time(MYINTERVAL) // MYINTERVAL defined as a variable
```

14.3.4. Externally-timed Window (`ext_timed` **or** `win:ext_timed`)

Similar to the time window, this window is a moving (sliding) time window extending the specified time interval into the past, but based on the long-type time value supplied by a timestamp expression. The window takes two parameters: the expression to return long-typed timestamp values, and a time period or expression that provides a number of seconds:

```
ext_timed(timestamp_expression, time_period)
```

```
ext_timed(timestamp_expression, seconds_interval_expression)
```

The key difference comparing the externally-timed window to the regular time window is that the window slides not based on the runtime time, but strictly based on the result of the timestamp expression when evaluated against the events entering the window.

The algorithm underlying the window compares the timestamp value returned by the expression when the oldest event arrived with the timestamp value returned by the expression for the newest arriving event on event arrival. If the time interval between the timestamp values is larger than the timer period parameter, then the algorithm removes all oldest events tail-first until the difference between the oldest and newest event is within the time interval. The window therefore slides only when events arrive and only considers each event's timestamp property (or other expression value returned) and not runtime time.

This window holds stock tick events of the last 10 seconds based on the timestamp property in `StockTickEvent`.

```
select * from StockTickEvent#ext_timed(timestamp, 10 seconds)
```

The externally-timed data window expects strict ordering of the timestamp values returned by the timestamp expression. The window is not useful for ordering events in time order, please use the time-order window instead.

On a related subject, runtime time itself can be entirely under control of the application as described in [Section 16.9, "Controlling Time-Keeping"](#), allowing control over all time-based aspects of processing in one place.

14.3.5. Time batch Window (time_batch or win:time_batch)

This window buffers events (tumbling window) and releases them every specified time interval in one update. The window takes a time period or an expression providing a number of seconds as a parameter, plus optional parameters described next.

```
time_batch(time_period [,optional_reference_point] [,flow_control])
```

```
time_batch(seconds_interval_expression [,optional_reference_point]
  [,flow_control])
```

The time batch window takes a second, optional parameter that serves as a reference point to batch flush times. If not specified, the arrival of the first event into the batch window sets the reference point. Therefore if the reference point is not specified and the first event arrives at time t_1 , then the batch flushes at time t_1 plus *time_period* and every *time_period* thereafter.



Note

Please see [Section 14.2, "A Note on Batch Windows"](#) for information on what a batch window is and how to best to compute over intervals.

Note that using this window means that the runtime keeps events in memory until the time is up: Consider your event arrival rate and determine if this is the behavior you want. Use context declaration or output rate limiting such as `output snapshot` as an alternative.

The below example batches events into a 5 second window releasing new batches every 5 seconds. Listeners to updates posted by this window receive updated information only every 5 seconds.

```
select * from StockTickEvent#time_batch(5 sec)
```

By default, if there are no events arriving in the current interval (insert stream), and no events remain from the prior batch (remove stream), then the window does not post results to listeners. The window allows overriding this default behavior via flow control keywords.

The synopsis with flow control parameters is:

```
time_batch(time_period or seconds_interval_expr [, optional_reference_point]  
          [, "flow-control-keyword [, keyword...]" ] )
```

The FORCE_UPDATE flow control keyword instructs the window to post an empty result set to listeners if there is no data to post for an interval. When using this keyword the `irstream` keyword should be used in the `select` clause to ensure the remove stream is also output. Note that FORCE_UPDATE is for use with listeners to the same statement and not for use with named windows. Consider output rate limiting instead.

The START_EAGER flow control keyword instructs the window to post empty result sets even before the first event arrives, starting a time interval at statement deployment time. As when using FORCE_UPDATE, the window also posts an empty result set to listeners if there is no data to post for an interval, however it starts doing so at time of statement deployment rather than at the time of arrival of the first event.

Taking the two flow control keywords in one sample statement, this example presents a window that waits for 10 seconds. It posts empty result sets after one interval after the statement gets deployed and keeps posting an empty result set as no events arrive during intervals:

```
select * from MyEvent#time_batch(10 sec, "FORCE_UPDATE, START_EAGER")
```

The optional reference point is provided as a long-value of milliseconds (or microseconds for microsecond runtime time unit) relative to January 1, 1970 and time 00:00:00.

The following example statement sets the reference point to 5 seconds and the batch size to 1 hour, so that each batch output is 5 seconds after each hour:

```
select * from OrderSummaryEvent#time_batch(1 hour, 5000L)
```

14.3.6. Externally-timed Batch Window (`ext_timed_batch` or `win:ext_timed_batch`)

Similar to the time batch window, this window buffers events (tumbling) and releases them every specified time interval in one update, but based on the long-type time value supplied by a timestamp expression. The window has two required parameters taking an expression that returns long-typed timestamp values and a time period or constant-value expression that provides a number of seconds:

```
ext_timed_batch(timestamp_expression, time_period  
[, optional_reference_point])
```

```
ext_timed_batch(timestamp_expression, seconds_interval_expression  
[, optional_reference_point])
```

The externally-timed batch window takes a third, optional parameter that serves as a reference point to batch flush times. If not specified, the arrival of the first event into the batch window sets the reference point. Therefore if the reference point is not specified and the first event arrives at time t_1 , then the batch flushes at time t_1 plus *time_period* and every *time_period* thereafter.

The key difference comparing the externally-timed batch window to the regular time batch window is that the window tumbles not based on the runtime time, but strictly based on the result of the timestamp expression when evaluated against the events entering the window.

The algorithm underlying the window compares the timestamp value returned by the expression when the oldest event arrived with the timestamp value returned by the expression for the newest arriving event on event arrival. If the time interval between the timestamp values is larger than the timer period parameter, then the algorithm posts the current batch of events. The window therefore

posts batches only when events arrive and only considers each event's timestamp property (or other expression value returned) and not runtime time.

Note that using this window means that the runtime keeps events in memory until the time is up: Consider your event arrival rate and determine if this is the behavior you want. Use context declaration or output rate limiting such as `output snapshot` as an alternative.

The below example batches events into a 5 second window releasing new batches every 5 seconds. Listeners to updates posted by this window receive updated information only when event arrive with timestamps that indicate the start of a new batch:

```
select * from StockTickEvent#ext_timed_batch(timestamp, 5 sec)
```

The optional reference point is provided as a long-value of milliseconds (or microseconds) relative to January 1, 1970 and time 00:00:00.

The following example statement sets the reference point to 5 seconds and the batch size to 1 hour, so that each batch output is 5 seconds after each hour:

```
select * from OrderSummaryEvent#ext_timed_batch(timestamp, 1 hour, 5000L)
```

The externally-timed data window expects strict ordering of the timestamp values returned by the timestamp expression. The window is not useful for ordering events in time order, please use the time-order window instead.

On a related subject, runtime time itself can be entirely under control of the application as described in [Section 16.9, "Controlling Time-Keeping"](#), allowing control over all time-based aspects of processing in one place.

14.3.7. Time-Length Combination Batch Window (`time_length_batch` **OR** `win:time_length_batch`)

This data window is a combination of time and length batch (tumbling) windows. Similar to the time and length batch windows, this batches events and releases the batched events when either one of the following conditions occurs, whichever occurs first: the data window has collected a given number of events, or a given time interval has passed.

The parameters take 2 forms. The first form accepts a time period or an expression providing a number of seconds, and an expression for the number of events:

```
time_length_batch(time_period, number_of_events_expression)
```

```
time_length_batch(seconds_interval_expression, number_of_events_expression)
```

The next example shows a time-length combination batch window that batches up to 100 events or all events arriving within a 1-second time interval, whichever condition occurs first:

```
select * from MyEvent#time_length_batch(1 sec, 100)
```

In this example, if 100 events arrive into the window before a 1-second time interval passes, the window posts the batch of 100 events. If less than 100 events arrive within a 1-second interval, the window posts all events that arrived within the 1-second interval at the end of the interval.

By default, if there are no events arriving in the current interval (insert stream), and no events remain from the prior batch (remove stream), then the window does not post results to listeners. This window allows overriding this default behavior via flow control keywords.

The synopsis of the window with flow control parameters is:

```
time_length_batch(time_period or
  seconds_interval_expression, number_of_events_expression,
  "flow control keyword [, keyword..."])
```

The `FORCE_UPDATE` flow control keyword instructs the window to post an empty result set to listeners if there is no data to post for an interval. The window begins posting no later than after one time interval passed after the first event arrives. When using this keyword the `irstream` keyword should be used in the `select` clause to ensure the remove stream is also output.

The `START_EAGER` flow control keyword instructs the window to post empty result sets even before the first event arrives, starting a time interval at statement deployment time. As when using `FORCE_UPDATE`, the window also posts an empty result set to listeners if there is no data to post for an interval, however it starts doing so at time of statement deployment rather than at the time of arrival of the first event.

Taking the two flow control keywords in one sample statement, this example presents a window that waits for 10 seconds or reacts when the 5th event arrives, whichever comes first. It posts empty result sets after one interval after the statement gets deployed and keeps posting an empty result set as no events arrive during intervals:

```
select * from MyEvent#time_length_batch(10 sec, 5, "FORCE_UPDATE, START_EAGER")
```

14.3.8. Time-Accumulating Window (`time_accum` or `win:time_accum`)

This data window is a specialized moving (sliding) time window that differs from the regular time window in that it accumulates events until no more events arrive within a given time interval, and only then releases the accumulated events as a remove stream.

The window accepts a single parameter: the time period or seconds-expression specifying the length of the time interval during which no events must arrive until the window releases accumulated events. The synopsis is as follows:

```
time_accum(time_period)
```

```
time_accum(seconds_interval_expression)
```

The next example shows a time-accumulating window that accumulates events, and then releases events if within the time interval no more events arrive:

```
select * from MyEvent#time_accum(10 sec)
```

This example accumulates events, until when for a period of 10 seconds no more MyEvent events arrive, at which time it posts all accumulated MyEvent events.

Your application may only be interested in the batches of events as events leave the data window. This can be done simply by selecting the remove stream of this data window, populated by the runtime as accumulated events leave the data window all-at-once when no events arrive during the time interval following the time the last event arrived:

```
select rstream * from MyEvent#time_accum(10 sec)
```

If there are no events arriving, then the window does not post results to listeners.

14.3.9. Keep-All Window (`keepall` or `win:keepall`)

This keep-all data window simply retains all events. The window does not remove events from the data window, unless used with a named window and the `on delete` clause.

The window accepts no parameters. The synopsis is as follows:

```
keepall
```

The next example shows a keep-all window that accumulates all events received into the window:

```
select * from MyEvent#keepall
```

Note that since the window does not release events, care must be taken to prevent retained events from using all available resources.

14.3.10. First Length Window(`firstlength` or `win:firstlength`)

The `firstlength` window retains the very first `size_expression` events.

The synopsis is:

```
firstlength(size_expression)
```

If used within a named window and an `on-delete` clause deletes events, the window accepts further arriving events until the number of retained events reaches the size of `size_expression`.

The below example creates a window that retains only the first 10 events:

```
select * from MyEvent#firstlength(10)
```

14.3.11. First Time Window (`firsttime` or `win:firsttime`)

The `firsttime` window retains all events arriving within a given time interval after statement start.

The synopsis is:

```
firsttime(time_period)
```

```
firsttime(seconds_interval_expression)
```

The below example creates a window that retains only those events arriving within 1 minute and 10 seconds of statement start:

```
select * from MyEvent#firsttime(1 minute 10 seconds)
```

14.3.12. Expiry Expression Window (`expr` or `win:expr`)

The `expr` data window applies an expiry expression and removes events from the data window when the expression returns false.

Use this window to implement rolling and dynamically shrinking or expanding time, length or other windows. Rolling can, for example, be controlled based on event properties of arriving events, based on aggregation values or based on the return result of user-defined functions. Use this window to accumulate events until a value changes or other condition occurs based on arriving events or change of a variable value.

The synopsis is:

```
expr(expiry_expression)
```

The expiry expression can be any expression including expressions on event properties, variables, aggregation functions or user-defined functions. The window applies this expression to the oldest event(s) currently in the window, as described next.

When a new event arrives or when a variable value referenced by the expiry expression changes then the window applies the expiry expression starting from the oldest event in the data window. If the expiry expression returns false for the oldest event, the window removes the event from the data window. The window then applies the expression to the next oldest event. If the expiry expression returns true for the oldest event, no further evaluation takes place and the window indicates any new and expired events through insert and remove stream.

By using variables in the expiry expression it is possible to change the behavior of the window dynamically at runtime. When one or more variables used in the expression are updated the window evaluates the expiry expression starting from the oldest event.

Aggregation functions, if present in the expiry expression, are continuously updated as events enter and leave the data window. Use the grouped data window with this window to compute aggregations per group.

The runtime makes the following built-in properties available to the expiry expression:

Table 14.3. Built-in Properties of the Expiry Expression Data Window

Name	Type	Description
current_count	int	The number of events in the data window including the currently-arriving event.
expired_count	int	The number of events expired during this evaluation.
newest_event	(same event type as arriving events)	The last-arriving event itself.
newest_timestamp	long	The runtime timestamp associated with the last-arriving event.
oldest_event	(same event type as arriving events)	The currently-evaluated event itself.
oldest_timestamp	long	The runtime timestamp associated with the currently-evaluated event.
view_reference	Object	The object handle to this data window.

This EPL declares an expiry expression that retains the last 2 events:

```
select * from MyEvent#expr(current_count <= 2)
```

The following example implements a dynamically-sized length window by means of a SIZE variable. As the SIZE variable value changes the window retains the number of events according to the current value of SIZE:

```
create variable int SIZE = 1000
```

```
select * from MyEvent#expr(current_count <= SIZE)
```

The next EPL retains the last 2 seconds of events:

```
select * from MyEvent#expr(oldest_timestamp > newest_timestamp - 2000)
```

The following example implements a dynamically-sized time window. As the SIZE long-type variable value changes the window retains a time interval accordingly:

```
create variable long SIZE = 1000
```

```
select * from MyEvent#expr(newest_timestamp - oldest_timestamp < SIZE)
```

The following example declares a KEEP variable and flushes all events from the data window when the variable turns false:

```
create variable boolean KEEP = true
```

```
select * from MyEvent#expr(KEEP)
```

The next example specifies a rolling window that removes the oldest events from the window until the total price of all events in the window is less than 1000:

```
select * from MyEvent#expr(sum(price) < 1000)
```

This example retains all events that have the same value of the `flag` event property. When the `flag` value changes, the data window expires all events with the old `flag` value and retains only the most recent event of the new `flag` value:

```
select * from MyEvent#expr(newest_event.flag = oldest_event.flag)
```

14.3.12.1. Limitations

You may not use subqueries or the `prev` and `prior` functions as part of the expiry expression. Consider using a named window and `on-delete` or `on-merge` instead.

When using variables in the expiry expression, the thread that updates the variable does not evaluate the window. The thread that updates the variable instead schedules a reevaluation and window evaluates by timer execution.

14.3.13. Expiry Expression Batch Window (`expr_batch` or `win:expr_batch`)

The `expr_batch` buffers events (tumbling window) and releases them when a given expiry expression returns true.

Use this window to implement dynamic or custom batching behavior, such as for dynamically shrinking or growing time, length or other batches, for batching based on event properties of arriving events, aggregation values or for batching based on a user-defined function.

The synopsis is:

```
expr_batch(expiry_expression, [include_triggering_event])
```

The expiry expression can be any expression including expressions on event properties, variables, aggregation functions or user-defined functions. The window applies this expression to arriving event(s), as described next.

The optional second parameter `include_triggering_event` defines whether to include the event that triggers the batch in the current batch (`true`, the default) or in the next batch (`false`).

When a new event arrives or when a variable value referenced by the expiry expression changes or when events get removed from the data window then the window applies the expiry expression. If the expiry expression returns true the data window posts the collected events as the insert stream and the last batch of events as remove stream.

By using variables in the expiry expression it is possible to change the behavior of the window dynamically at runtime. When one or more variables used in the expression are updated the window evaluates the expiry expression as well.

Aggregation functions, if present in the expiry expression, are continuously updated as events enter the data window and reset when the runtime posts a batch of events. Use the grouped data window with this window to compute aggregations per group.

The compiler makes the following built-in properties available to the expiry expression:

Table 14.4. Built-in Properties of the Expiry Expression Data Window

Name	Type	Description
current_count	int	The number of events in the data window including the currently-arriving event.
newest_event	(same event type as arriving events)	The last-arriving event itself.
newest_timestamp	long	The runtime timestamp associated with the last-arriving event.
oldest_event	(same event type as arriving events)	The currently-evaluated event itself.
oldest_timestamp	long	The runtime timestamp associated with the currently-evaluated event.
view_reference	Object	The object handle to this window.

This EPL declares an expiry expression that posts event batches consisting of 2 events:

```
select * from MyEvent#expr_batch(current_count >= 2)
```

The following example implements a dynamically-sized length batch window by means of a SIZE variable. As the SIZE variable value changes the window accumulates and posts the number of events according to the current value of SIZE:

```
create variable int SIZE = 1000
```

```
select * from MyEvent#expr_batch(current_count >= SIZE)
```

The following example accumulates events until an event arrives that has a value of `postme` for property `myvalue`:

```
select * from MyEvent#expr_batch(myvalue = 'postme')
```

The following example declares a POST variable and posts a batch of events when the variable turns true:

```
create variable boolean POST = false
```

```
select * from MyEvent#expr_batch(POST)
```

The next example specifies a tumbling window that posts a batch of events when the total price of all events in the window is greater than 1000:

```
select * from MyEvent#expr_batch(sum(price) > 1000)
```

Specify the second parameter as `false` when you want the triggering event not included in the current batch.

This example batches all events that have the same value of the `flag` event property. When the `flag` value changes, the data window releases the batch of events collected for the old `flag` value. The data window collects the most recent event and the future arriving events of the same new `flag` value:

```
select * from MyEvent#expr_batch(newest_event.flag != oldest_event.flag, false)
```

14.3.13.1. Limitations

You may not use subqueries or the `prev` and `prior` functions as part of the expiry expression. Consider using a named window and `on-delete` or `on-merge` instead.

When using variables in the expiry expression, the thread that updates the variable does not evaluate the window. The thread that updates the variable instead schedules a reevaluation and window evaluates by timer execution.

14.3.14. Unique Window (`unique` or `std:unique`)

The `unique` window is a window that includes only the most recent among events having the same value(s) for the result of the specified expression or list of expressions.

The synopsis is:

```
unique(unique_expression [, unique_expression ...])
```

The window acts as a length window of size 1 for each distinct value returned by an expression, or combination of values returned by multiple expressions. It thus posts as old events the prior event of the same value(s), if any.

An expression may return a `null` value. The compiler treats a `null` value as any other value. An expression can also return a custom application object, whereby the application class should implement the `hashCode` and `equals` methods. Further detail on key expressions can be found at [Section 5.2.13, “Composite Keys and Array Values as Keys”](#).

The below example creates a window that retains only the last event per symbol.

```
select * from StockTickEvent#unique(symbol)
```

The next example creates a window that retains the last event per symbol and feed.

```
select * from StockTickEvent#unique(symbol, feed)
```

When using `unique` the compiler plans statements applying an implicit unique index, where applicable. Specify `@Hint('disable_unique_implicit_idx')` to force the compiler to plan statement using a non-unique index.

14.3.15. Grouped Data Window (`groupwin` or `std:groupwin`)

Specifying `#groupwin` groups events into sub-data-window by the value returned by the specified expression or the combination of values returned by a list of expressions. The `#groupwin` takes a single expression to supply the group criteria values, or a list of expressions as parameters, as the synopsis shows:

```
groupwin(grouping_expression [, grouping_expression ...])
```

The `grouping_expression` expression(s) return one or more group keys, by which it creates a separate data window for each distinct group key. Note that the expression should not return an unlimited number of values: the grouping expression should not return a time value or otherwise unlimited key. Further detail on key expressions can be found at [Section 5.2.13, “Composite Keys and Array Values as Keys”](#).

An expression may return a `null` value. The runtime treats a `null` value as any other value. An expression can also return a custom application object, whereby the application class should implement the `hashCode` and `equals` methods.

You can specify a single `groupwin` per stream. Multiple `groupwin` declarations for the same stream are not allowed.

Use `group by` instead of the grouped data window to control how aggregations are grouped.

A grouped data window with a length window of 1 is equivalent to the unique data window `unique`. The `unique` data window is the preferred notation:

```
select * from StockTickEvent#unique(symbol) // Prefer this
// ... equivalent to ...
select * from StockTickEvent#groupwin(symbol)#length(1)
```

This example computes the total price for the last 5 events considering the last 5 events per each symbol, aggregating the price across all symbols (since no `group by` clause is specified the aggregation is across all symbols):

```
select symbol, sum(price) from StockTickEvent#groupwin(symbol)#length(5)
```

The `@Hint("reclaim_group_aged=age_in_seconds")` hint instructs the runtime to discard grouped data window state that has not been updated for `age_in_seconds` seconds. The optional `@Hint("reclaim_group_freq=sweep_frequency_in_seconds")` can be specified in addition to control the frequency at which the runtime sweeps data window state. If the hint is not specified, the frequency defaults to the same value as `age_in_seconds`. Use the hints when your group criteria returns a changing or unlimited number of values. By default and without hints the data window does not reclaim or remove data windows for group criteria values.

The updated sample statement with both hints:

```
// Remove data window for symbols not updated for 10 seconds or more and sweep
every 30 seconds
@Hint('reclaim_group_aged=10,reclaim_group_freq=30')
select symbol, sum(price) from StockTickEvent#groupwin(symbol)#length(5)
```

Reclaim executes when an event arrives and not in the timer thread. In the example above reclaim can occur up to 40 seconds of runtime time after the newest event arrives. Reclaim may affect iteration order for the statement and iteration order becomes indeterministic with reclaim.

To compute the total price for the last 5 events considering the last 5 events per each symbol and outputting a price per symbol, add the `group by` clause:

```
select symbol, sum(price) from StockTickEvent#groupwin(symbol)#length(5) group
by symbol
```

The `groupwin` grouped-window can also take multiple expressions that provide values to `group by`. This example computes the total price for each symbol and feed for the last 10 events per symbol and feed combination:


```
select sum(price) from StockTickEvent#groupwin(symbol, feed)#length(10)
```

The order in which the `groupwin` grouped-window appears controls the data the runtime derives from events for each group. The next 2 statements demonstrate this using a length window.

Without the `groupwin` declaration the same statement returns the total price per symbol for only the last 10 events across all symbols. Here the runtime allocates only one length window for all events:

```
select sum(price) from StockTickEvent#length(10)
```

We have learned that by placing the `groupwin` grouped-window before other data windows, these other data windows become part of the grouped set of windows. The runtime dynamically allocates a new window instance for each, every time it encounters a new group key such as a new value for symbol. Therefore, in `groupwin(symbol)#length(10)` the runtime allocates a new length window for each distinct symbol. However in `length(10)` alone the runtime maintains a single length window.

The `groupwin` can be used with multiple data windows to achieve a grouped intersection or union policy.

The next statement retains the last 4 events per symbol and only those events that are also not older than 10 seconds:

```
select * from StockTickEvent#groupwin(symbol)#length(4)#time(10)
```

Last, considers a grouped data window for two group criteria. Here, the statement results are total price per symbol and feed for the last 100 events per symbol and feed.

```
select sum(price) from StockTickEvent#groupwin(symbol, feed)#length(100)
```



Note

A note on grouped time windows: When using grouped-window with time windows, note that whether the runtime retains 5 minutes of events or retains 5 minutes of events per group, the result is the same from the perspective of retaining events as both policies retain, considering all groups, the same set of events. Therefore please specify the time window alone (ungrouped).

For example:

```
// Use this:
select sum(price) from StockTickEvent#time(1 minute)

// is equivalent to (don't use this):
// select sum(price) from StockTickEvent#groupwin(symbol)#time(1
minute)

// Use the group-by clause for grouping aggregation by symbol.
```

For advanced users: There is an optional declaration that can control how the `groupwin` grouped-window gets evaluated and that is `#merge`. The merge can only occur after a `groupwin` grouped-window. It controls the end of the grouped declaration.

Compare the following statements:

```
select * from Market#groupwin(ticker)#length(1000000)
    #weighted_avg(price, volume)#merge(ticker)
// ... and ...
select * from Market#groupwin(ticker)#length(1000000)#merge(ticker)
    #weighted_avg(price, volume)
```

If your statement does not specify the optional `#merge`, the semantics are the same as the first statement.

The first statement, in which the `#merge` is added to the end (same as no merge), computes weighted average per ticker, considering, per-ticker, the last 1M Market events for each ticker. The second statement, in which the merge is added to the middle, computes weighted average considering, per-ticker, the last 1M Market events, computing the weighted average for all such events using a single data window rather than multiple data window instances with one window per ticker.

14.3.16. Last Event Window (`std:lastevent`)

This window exposes the last element:

```
lastevent
```

The window acts as a length window of size 1. It thus posts as old events the prior event in the stream, if any.

This example statement retains the last stock tick event for the symbol GE.

```
select * from StockTickEvent(symbol='GE')#lastevent
```

If you want to output the last event within a sliding window, please see [Section 10.1.13, “The Previous Function”](#). That function accepts a relative (count) or absolute index and returns event properties or an event in the context of the specified data window.

14.3.17. First Event Window (firstevent or std:firstevent)

This window retains only the first arriving event:

```
firstevent
```

All events arriving after the first event are discarded.

If used within a named window and an `on-delete` clause deletes the first event, the window resets and will retain the next arriving event.

An example of a statement that retains the first `ReferenceData` event arriving is:

```
select * from ReferenceData#firstevent
```

If you want to output the first event within a sliding window, please see [Section 10.1.13, “The Previous Function”](#). That function accepts a relative (count) or absolute index and returns event properties or an event in the context of the specified data window.

14.3.18. First Unique Window (firstunique or std:firstunique)

The `firstunique` window retains only the very first among events having the same value for the specified expression or list of expressions.

The synopsis is:

```
firstunique(unique_expression [, unique_expression ...])
```

Further detail on key expressions can be found at [Section 5.2.13, “Composite Keys and Array Values as Keys”](#).

If used within a named window and an `on-delete` clause deletes events, the window resets and will retain the next arriving event for the expression result value(s) of the deleted events.

The below example creates a window that retains only the first event per category:

```
select * from ReferenceData#firstunique(category)
```

When using `firstunique` the compiler plans statements applying an implicit unique index, where applicable. Specify `@Hint('disable_unique_implicit_idx')` to force the compiler to plan statements using a non-unique index.

14.3.19. Sorted Window (`sort` or `ext:sort`)

This window sorts by values returned by the specified expression or list of expressions and keeps only the top (or bottom) events up to the given size.

This window retains all events in the stream that fall into the sort range. Use the ranked window as described next to retain events per unique key(s) and sorted.

The syntax is as follows:

```
sort(size_expression,  
     sort_criteria_expression [asc/desc][, sort_criteria_expression [asc/  
desc]...])
```

An expression may be followed by the optional `asc` or `desc` keywords to indicate that the values returned by that expression are sorted in ascending or descending sort order.

The window below retains only those events that have the highest 10 prices considering all events (and not only the last event per symbol, see `rank` below) and reports a total price:

```
select sum(price) from StockTickEvent#sort(10, price desc)
```

The following example sorts events first by price in descending order, and then by symbol name in ascending (alphabetical) order, keeping only the 10 events with the highest price (with ties resolved by alphabetical order of symbol).

```
select * from StockTickEvent#sort(10, price desc, symbol asc)
```

The sorted window is often used with the `prev`, `prevwindow` or `prevtail` single-row functions to output properties of events at a certain position or to output the complete data window according to sort order.

Use the grouped window to retain a separate sort window for each group. For example, the windows `groupwin(market)#sort(10, price desc)` instruct the runtime to retain, per market, the highest 10 prices.

14.3.20. Ranked Window (`rank` or `ext:rank`)

This window retains only the most recent among events having the same value for the criteria expression(s), sorted by sort criteria expressions and keeps only the top events up to the given size.

This window is similar to the sorted window in that it keeps only the top (or bottom) events up to the given size, however the window also retains only the most recent among events having the same value(s) for the specified uniqueness expression(s).

The syntax is as follows:

```
rank(unique_expression [, unique_expression ...],
     size_expression,
     sort_criteria_expression [asc/desc][, sort_criteria_expression [asc/
desc]...])
```

Specify the expressions returning unique key values first. Further detail on key expressions can be found at [Section 5.2.13, “Composite Keys and Array Values as Keys”](#).

Then specify a constant value that is the size of the ranked window. Then specify the expressions returning sort criteria values. The sort criteria expressions may be followed by the optional `asc` or `desc` keywords to indicate that the values returned by that expression are sorted in ascending or descending sort order.

The window below retains only those events that have the highest 10 prices considering only the last event per symbol and reports a total price:

```
select sum(price) from StockTickEvent#rank(symbol, 10, price desc)
```

The following example retains, for the last event per market and symbol, those events that sort by price and quantity ascending into the first 10 ranks:

```
select * from StockTickEvent#rank(market, symbol, 10, price, quantity)
```

The ranked window is often used with the `prev`, `prevwindow` or `prevtail` single-row functions to output properties of events at a certain position or to output the complete data window according to sort order.

This example outputs every 5 seconds the top 10 events according to price descending and considering only the last event per symbol:

```
select prevwindow(*) from StockTickEvent#rank(symbol, 10, price desc)
output snapshot every 5 seconds limit 1 // need only 1 row
```

Use the grouped window to retain a separate rank for each group. For example, the windows `groupwin(market)#rank(symbol, 10, price desc)` instruct the runtime to retain, per market, the highest 10 prices considering the last event per symbol.

14.3.21. Time-Order Window (`time_order` or `ext:time_order`)

This window orders events that arrive out-of-order, using timestamp-values provided by an expression, and by comparing that timestamp value to runtime time.

The syntax for this window is as follows.

```
time_order(timestamp_expression, time_period)
```

```
time_order(timestamp_expression, seconds_interval_expression)
```

The first parameter to the window is the expression that supplies timestamp values. The timestamp is expected to be a long-typed value that denotes an event's time of consideration by the window (or other expression). This is typically the time of arrival. The second parameter is a number-of-seconds expression or the time period specifying the time interval that an arriving event should maximally be held, in order to consider older events arriving at a later time.

Since the window compares timestamp values to runtime time, the window requires that the timestamp values and runtime time are both following the same clock. Therefore, to the extent that the clocks that originated both timestamps differ, the window may produce inaccurate results.

As an example, the next statement uses the `arrival_time` property of `MyTimestampedEvent` events to order and release events by arrival time:

```
insert rstream into ArrivalTimeOrderedStream
select rstream * from MyTimestampedEvent#time_order(arrival_time, 10 sec)
```

In the example above, the `arrival_time` property holds a long-typed timestamp value. On arrival of an event, the runtime compares the timestamp value of each event to the tail-time of the window. The tail-time of the window is, in this example, 10 seconds before runtime time (continuously sliding). If the timestamp value indicates that the event is older than the tail-time of the time window, the event is released immediately in the remove stream. If the timestamp value indicates that the event is newer than the tail-time of the window, the window retains the event until runtime time moves such that the event timestamp is older than tail-time.

The examples thus holds each arriving event in memory anywhere from zero seconds to 10 seconds, to allow for older events (considering arrival time timestamp) to arrive. In other words, the window holds an event with an arrival time equal to runtime time for 10 seconds. The window holds an event with an arrival time that is 2 seconds older than runtime time for 8 seconds. The window holds an event with an arrival time that is 10 or more seconds older than runtime time for zero seconds, and releases such (old) events immediately into the remove stream.

The insert stream of this sliding window consists of all arriving events. The remove stream of the window is ordered by timestamp value: The event that has the oldest timestamp value is released first, followed by the next newer events. Note the statement above uses the `rstream` keyword in

both the `insert into` clause and the `select` clause to select ordered events only. It uses the `insert into` clause to make such ordered stream available for subsequent statements to use.

It is up to your application to populate the `timestamp` property into your events or use a sensible expression that returns timestamp values for consideration by the window. The window also works well if you use externally-provided time via timer events.

14.3.22. Time-To-Live Window (`timetolive` or `ext:timetolive`)

This window retains events until runtime time reaches the value returned by the given timestamp expression.

The syntax for this window is as follows:

```
timetolive(timestamp_expression)
```

The only parameter to the window is the expression that supplies timestamp values. The timestamp is expected to be a long-typed value that denotes an event's time-to-live.

Since the window compares timestamp values to runtime time, the window requires that the timestamp values and runtime time are both following the same clock.

On arrival of an event, the runtime evaluates the timestamp expression and obtains a long-type timestamp. The runtime compares that timestamp value to runtime time:

- If the timestamp is older than runtime time or the same as runtime time, the runtime releases the event immediately into the remove stream and does not retain the event at all.
- If the timestamp value is newer than the runtime time, the data window retains the event until runtime time moves forward such that the timestamp is the same or older than runtime time.

As an example, the next statement uses the `arrival_time` property of `MyTimestampedEvent` events to release events by arrival time:

```
insert rstream into ArrivalTimeOrderedStream
select rstream * from MyTimestampedEvent#timetolive(arrival_time)
```

For example, assume runtime time is `8:00:00` (8 am).

- If the `arrival_time` timestamp is `8:00:00` or older (such as `7:59:00`), the data window does not retain the event at all, i.e. the runtime releases the event into the remove stream upon arrival.
- If the `arrival_time` timestamp is after `8:00:00` the data window retains the event. Let's say the `arrival_time` timestamp is `8:02:00` the runtime retains the event until runtime time is `8:02:00` or newer.

The runtime evaluates the expression only once at the arrival of each event to determine that event's time-to-live. The time-to-live data structure organizes events by the value returned by the expression on event arrival into the data window.

The insert stream of this sliding window consists of all arriving events. The remove stream of the window is ordered by timestamp value: The event that has the oldest timestamp value is released first, followed by the next newer events. Note the statement above uses the `rstream` keyword in both the `insert into` clause and the `select` clause to select ordered events only. It uses the `insert into` clause to makes such ordered stream available for subsequent statements to use.

It is up to your application to populate the timestamp property into your events or use a sensible expression that returns timestamp values for consideration by the window. The window also works well if you use externally-provided time via timer events and if you have runtime time track watermarks.

The time-to-live data window is fully equivalent to the time-order data window with a zero value for the time period.

14.4. Special Derived-Value Windows

The derived-value windows can be used combined with data windows or alone. Very similar to aggregation functions, these windows aggregate or derive information from an event stream. As compared to aggregation functions, statistics windows can post multiple derived fields all-in-one including properties from the last event that was received. The derived fields and event properties are available for querying in the `where`-clause and are often compared to prior values using the `prior` function. Derived-value window do not retain events.

14.4.1. Size Derived-Value Window (`size`) or `std:size`)

This window posts the number of events received from a stream or window plus any additional event properties or expression values listed as parameters. The synopsis is:

```
size([expression, ...] [ * ])
```

The window posts a single long-typed property named `size`. The window posts the prior size as old data, and the current size as new data to update listeners of the window. Via the `iterator` method of the statement the size value can also be polled (read). The window only posts output events when the `size` count changes and does not stay the same.

As optional parameters the window takes a list of expressions that the window evaluates against the last arriving event and provides along the `size` field. You may also provide the `*` wildcard selector to have the window output all event properties.

An alternative to receiving a data window event count is the `prevcount` function. Compared to the `size` window the `prevcount` function requires a data window while the `size` window does not. The related `count(...)` aggregation function provides a count per group when used with `group by`.

When combined with a data window, the size window reports the current number of events in the data window in the insert stream and the prior number of events in the data window as the remove stream. This example reports the number of tick events within the last 1 minute:

```
select size from StockTickEvent#time(1 min)#size
```

To select additional event properties you may add each event property to output as a parameter to the window.

The next example selects the symbol and feed event properties in addition to the `size` property:

```
select size, symbol, feed from StockTickEvent#time(1 min)#size(symbol, feed)
```

This example selects all event properties in addition to the `size` property:

```
select * from StockTickEvent#time(1 min)#size(*)
```

The size window is also useful in conjunction with a `groupwin` grouped-window to count the number of events per group. The EPL below returns the number of events per symbol.

```
select size from StockTickEvent#groupwin(symbol)#size
```

When used without a data window, the window simply counts the number of events:

```
select size from StockTickEvent#size
```

All windows can be used with pattern statements as well. The next EPL snippet shows a pattern that looks for tick events followed by trade events for the same symbol. The size window counts the number of occurrences of the pattern.

```
select      size      from      pattern[every      s=StockTickEvent      ->
TradeEvent(symbol=s.symbol)]#size
```

14.4.2. Univariate Statistics Derived-Value Window (uni or stat:uni)

This window calculates univariate statistics on a numeric expression. The window takes a single value expression as a parameter plus any number of optional additional expressions to return properties of the last event. The value expression must return a numeric value:

```
uni(value_expression [,expression, ...] [ * ])
```

After the value expression you may optionally list additional expressions or event properties to evaluate for the stream and return their value based on the last arriving event. You may also provide the * wildcard selector to have the window output all event properties.

Table 14.5. Univariate Statistics Derived Properties

Property Name	Description
datapoints	Number of values, equivalent to <code>count(*)</code> for the stream
total	Sum of values
average	Average of values
variance	Variance
stddev	Sample standard deviation (square root of variance)
stddevpa	Population standard deviation

The below example selects the standard deviation on price for stock tick events for the last 10 events.

```
select stddev from StockTickEvent#length(10)#uni(price)
```

To add properties from the event stream you may simply add all additional properties as parameters to the window.

This example selects all of the derived values, based on the price property, plus the values of the symbol and feed event properties:

```
select * from StockTickEvent#length(10)#uni(price, symbol, feed)
```

The following example selects all of the derived values plus all event properties:

```
select * from StockTickEvent#length(10)#uni(price, symbol, *)
```

14.4.3. Regression Derived-Value Window (`linest` or `stat:linest`)

This window calculates regression and related intermediate results on the values returned by two expressions. The window takes two value expressions as parameters plus any number of optional

additional expressions to return properties of the last event. The value expressions must return a numeric value:

```
linest(value_expression, value_expression [,expression, ...] [ * ])
```

After the two value expressions you may optionally list additional expressions or event properties to evaluate for the stream and return their value based on the last arriving event. You may also provide the * wildcard selector to have the window output all event properties.

Table 14.6. Regression Derived Properties

Property Name	Description
slope	Slope.
YIntercept	Y intercept.
XAverage	X average.
XStandardDeviationPop	X standard deviation population.
XStandardDeviationSample	X standard deviation sample.
XSum	X sum.
XVariance	X variance.
YAverage	X average.
YStandardDeviationPop	Y standard deviation population.
YStandardDeviationSample	Y standard deviation sample.
YSum	Y sum.
YVariance	Y variance.
dataPoints	Number of data points.
n	Number of data points.
sumX	Sum of X (same as X Sum).
sumXSq	Sum of X squared.
sumXY	Sum of X times Y.
sumY	Sum of Y (same as Y Sum).
sumYSq	Sum of Y squared.

The next example calculates regression and returns the slope and y-intercept on price and offer for all events in the last 10 seconds.

```
select slope, YIntercept from StockTickEvent#time(10 seconds)#linest(price, offer)
```

To add properties from the event stream you may simply add all additional properties as parameters to the window.

This example selects all of the derived values, based on the price and offer properties, plus the values of the symbol and feed event properties:

```
select * from StockTickEvent#time(10 seconds)#linest(price, offer, symbol, feed)
```

The following example selects all of the derived values plus all event properties:

```
select * from StockTickEvent#time(10 seconds)#linest(price, offer, *)
```

14.4.4. Correlation Derived-Value Window (`correl` or `stat:correl`)

This window calculates the correlation value on the value returned by two expressions. The window takes two value expressions as parameters plus any number of optional additional expressions to return properties of the last event. The value expressions must be return a numeric value:

```
correl(value_expression, value_expression [,expression, ...] [ * ])
```

After the two value expressions you may optionally list additional expressions or event properties to evaluate for the stream and return their value based on the last arriving event. You may also provide the * wildcard selector to have the window output all event properties.

Table 14.7. Correlation Derived Properties

Property Name	Description
correlation	Correlation between two event properties

The next example calculates correlation on price and offer over all stock tick events for GE:

```
select correlation from StockTickEvent(symbol='GE')#correl(price, offer)
```

To add properties from the event stream you may simply add all additional properties as parameters to the window.

This example selects all of the derived values, based on the price and offer property, plus the values of the feed event property:

```
select * from StockTickEvent(symbol='GE')#correl(price, offer, feed)
```

The next example selects all of the derived values plus all event properties:

```
select * from StockTickEvent(symbol='GE')#correl(price, offer, *)
```

14.4.5. Weighted Average Derived-Value Window (weighted_avg or stat:weighted_avg)

This window returns the weighted average given an expression returning values to compute the average for and an expression returning weight. The window takes two value expressions as parameters plus any number of optional additional expressions to return properties of the last event. The value expressions must return numeric values:

```
weighted_avg(value_expression_field, value_expression_weight
[,expression, ...] [ * ])
```

After the value expression you may optionally list additional expressions or event properties to evaluate for the stream and return their value based on the last arriving event. You may also provide the * wildcard selector to have the window output all event properties.

Table 14.8. Weighted Average Derived Properties

Property Name	Description
average	Weighted average

A statement that derives the volume-weighted average price for the last 3 seconds for a given symbol is shown below:

```
select average
from StockTickEvent(symbol='GE')#time(3 seconds)#weighted_avg(price, volume)
```

To add properties from the event stream you may simply add all additional properties as parameters to the window.

This example selects all of the derived values, based on the price and volume properties, plus the values of the symbol and feed event properties:

```
select *
from StockTickEvent#time(3 seconds)#weighted_avg(price, volume, symbol, feed)
```

The next example selects all of the derived values plus the values of all event properties:

```
select *
from StockTickEvent#time(3 seconds)#weighted_avg(price, volume, *)
```

Aggregation functions could instead be used to compute the weighted average as well. The next example also posts weighted average per symbol considering the last 3 seconds of stock tick data:

```
select symbol, sum(price*volume)/sum(volume)
from StockTickEvent#time(3 seconds) group by symbol
```

The following example computes weighted average keeping a separate data window per symbol considering the last 5 events of each symbol:

```
select symbol, average
from StockTickEvent#groupwin(symbol)#length(5)#weighted_avg(price, volume)
```

Chapter 15. Compiler Reference

15.1. Introduction

The compiler provides the following functions:

- Compiles a module to JVM byte code.
- Compiles a fire-and-forget query to JVM byte code.
- Parses a module producing a module object model.
- Parses a statement producing a statement object model.
- Validates the syntax of a module.
- Reads a module from external sources.

The most important function of the compiler is to produce byte code for your module. Deploy the byte code into a runtime for execution.

The compiler interface is `EPCompiler` in package `com.espertech.esper.compiler.client`. Your application obtains a compiler instance by calling the `getCompiler` method of `EPCompilerProvider`.

For example:

```
EPCompiler epCompiler = EPCompilerProvider.getCompiler();
```

Use the compiler as follows:

- The compiler is a stateless service. It does not have any state that it keeps between calls.
- You may obtain and use any number of compiler instances in parallel.
- You may share a compiler instance between threads.
- All compiler methods are thread-safe.
- The compiler internally uses multiple threads for compiling each statement in parallel, for modules that have multiple statements.



Tip

When using the compiler in separate threads, make sure the input to the compiler does not get modified while the compiler is using it. For example, the application

should not modify compiler configuration or compiler path at the same time as invoking a compiler method.

15.2. Concepts

15.2.1. Module

A module contains zero, one or multiple statements. A module is a source code unit as the compiler turns a module into byte code. A module does not need to be a text - a module can also be an object model.

In module text, statements appear separated by the semicolon (;) character. If there is a single statement in the module the semicolon can be left off.

The synopsis of a module file is:

```
[module module_name; ]
[uses module_name; | import import_name;] [uses module_name; |
import import_name;] [...]
[epl_statement;] [epl_statement;] [...]
```

Use the `module` keyword followed a *module_name* identifier or a package (identifiers separated by dots) to declare the name of the module. The module name declaration must be at the beginning of the file, comments and whitespace excluded. The module name serves to check uses-dependences of other modules.

If a module file requires certain constructs that may be shared by other modules, such as named windows, tables, variables, event types, variant streams or inserted-into streams required by statements, a module file may specify dependent modules with the `uses` keyword. It can be used to avoid name conflicts and automatic deployment can use this information to determine deployment order.

If the statements in the module require Java classes such as for underlying events or user-defined functions, use the `import` keyword followed by the fully-qualified class name or package name in the format `package.*`. The `uses` and `import` keywords are optional and must occur after the `module` declaration.

Following the optional deployment instructions are any number of *epl_statement* statements that are separated by semicolon (;).

The following is a sample module file explained in detail thereafter:

```
// Declare the name for the module (optional).
module org.myorganization.switchmonitor;

// Declare other module(s) that this module depends on (optional).
```



```

// This can be used to resolve name conflicts.
uses org.myorganization.common;

// Import any Java/.NET classes of the given package name (optional).
// Imports only handle classpath and do not import other modules.
import org.myorganization.events.*;

// Declare an event type based on a Java class in the package that was imported
// as above
create schema MySwitchEvent as MySwitchEventPOJO;

// Sample statement
@Name('Off-On-Detector')
insert into MyOffOnStream
select * from pattern[every-distinct(id) a=MySwitchEvent(status='off')
  -> b=MySwitchEvent(id=a.id, status='on')];

// Sample statement
@Name('Count-Switched-On')
@Description('Count per switch id of the number of Off-to-On switches in the
  last 1 hour')
select id, count(*) from MyOffOnStream#time(1 hour) group by id;

```

The example above declares a module name of `org.myorganization.switchmonitor`. The example demonstrates the `import` keyword to make a package name known to the compiler for resolving classpath items, as the example assumes that `MySwitchEventPOJO` is a POJO event class. In addition the example module contains two statements separated by semicolon characters.

15.2.2. EPL-objects

The following types of *EPL-objects* are managed by the compiler and runtime:

- *Event types* define stream type information and are added using `create schema` or by configuration.
- *Variables* are free-form value holders and are added using `create variable` or by configuration.
- *Named windows* are sharable named data windows and are added using `create window`.
- *Tables* are sharable organized rows with columns that are simple, aggregation and complex types, and are added using `create table`.
- *Contexts* define analysis lifecycle and are added using `create context`.
- *Expressions* and *Scripts* are reusable expressions and are added using `create expression`.
- *Inlined-Classes* are classes in Java (or C# for NEsper) that are part of the EPL code and are added using `create inlined_class`.
- *Indexes* organize named window events and table rows for fast lookup and are added using `create index`.

Your application can pre-configure event types and variables in a `Configuration` object.

A module can create any number of EPL-objects.

A module can depend on EPL-objects that are pre-configured or other modules created.

15.2.3. Dependencies

A module usually depends on event types and may also depend on other EPL-objects such as named windows or tables, for example. The compiler resolves all dependencies at compile-time. It produces byte code based on the information associated with the EPL-object. Upon deploying a compiled module's byte code into the runtime the runtime validates that dependencies exist.

For example, consider the following module:

```
select accountId, amount from Withdrawal
```

The module above depends on the event type `Withdrawal`. The compiler resolves the event type name to an `EventType` instance. It produces code according to the event type. At time of deployment of the compiled module the runtime verifies that the `Withdrawal` event type exists.

Specifically, the compiler generates code like this:

- If the `Withdrawal` event type is a Map-based event type, the compiler produces code such as `event.get("accountId")`.
- If the `Withdrawal` event type is an Object-Array-based event type, the compiler produces code such as `event[index]`.
- If the `Withdrawal` event type is a Bean-based event type, the compiler produces code such as `event.getAccountId()`.



Note

The compiler only tracks dependencies on EPL-objects.

The compiler does not track classpath dependencies. The runtime does not validate classpath dependencies.

The runtime validates that EPL-object dependencies exist before deploying a compiled module.

The runtime does not validate that the information about the EPL-object is the same as at compile-time.

In other words, the runtime does not validate that event property names, event property types, table column names and types, variable types, index property names and other compile-time information matches the information that was provided at compile time.

15.2.4. Dependency Resolution

The compiler resolves an EPL-object by its name by looking at:

- The EPL-objects created by the same module (also known as `local`)
- The EPL-objects created by the other modules (also known as `path`).
- The pre-configured event types and variables.

The term *path* encompasses the EPL-objects other modules define. The term *local* encompasses the EPL-objects the same module defines.

Coming back to the previous example:

```
select accountId, amount from Withdrawal
```

The compiler finds an event type by name `Withdrawal` by:

- Checking whether `Withdrawal` is an event type that the same module defined by `create schema (local)`.
- Checking whether `Withdrawal` is an event type that another modules defined by `create schema (path)`.
- Checking whether `Withdrawal` is a pre-configured event type.

In case the name cannot be resolved the compilation fails.

In case the name is found multiple times, the compiler checks as follows:

- If the name is a pre-configured EPL-object and the name is also found in path the validation fails.
- If the name is found in local, and the name is found in path or preconfigured, the validation fails.
- If the name is found in path for multiple modules, and if there is no module-uses provided, the validation fails.
- If the name is found in path for multiple modules and there are module-uses module names provided the EPL object module name must match one of the module names in module-uses.

15.2.5. Access Modifiers

Access level modifiers determine whether other modules can use a particular EPL-object.

An EPL-object may be declared with the modifier `public`, in which case that EPL-object is visible to all other modules.

An EPL-object may be declared with the modifier `protected`, in which case that EPL-object is visible to other modules that have the same module name.

An EPL-object may be declared with the modifier `private` (the default), in which case that EPL-object is not visible to other modules.

Your application may set access modifiers by:

- Using an annotation i.e. `@public`, `@protected`, `@private`.
- Setting default access modifiers in the `ConfigurationCompilerByteCode` that is part of the `Configuration` object.
- Computing access modifiers by providing a callback in `CompilerOptions` compiler options. Any computed value overrides the annotation or configuration default.

The following module declares a public named window to hold the last 10 seconds of withdrawal events:

```
@public create window WithdrawalWindow#time(10) as Withdrawal
```

15.2.6. Bus Modifier for Event Types

For event types there is a `bus` modifier that determines whether or not the event type is available for use with the `sendEventType` methods of the `EPEventService` runtime event service.

An event type may be declared with the bus modifier, in which case calls to `sendEventType` process the event.

An event type may be declared with the non-bus modifier (the default), in which case calls to `sendEventType` cause an exception to be thrown.

To understand this better, here is what `sendEventType` of `EPEventService` does: When your application calls any of the `sendEventBean`, `sendEventMap`, `sendEventObjectArray`, `sendEventJson`, `sendEventXMLDOM` or `sendEventAvro` methods of `EPEventService`, the runtime finds the event type using the event type name that is passed. It associates the event type to the event object for processing the given event. If the event type name is not recognized or the event type does not have the bus modifier it throws an exception.

The bus modifier is not required for pre-configured event types. The bus modifier requires public access.

Your application may set the bus modifier by:

- Using the `@buseventtype` annotation.
- Setting the default bus modifier in the `ConfigurationCompilerByteCode` that is part of the `Configuration` object.
- Computing a bus modifier by providing a callback in `CompilerOptions` compiler options. Any computed value overrides the annotation or configuration default.

The following module declares a public event type that allows an application to send in events of that name:

```
@public @buseventtype create schema AccountQueryEvent (accountId string)
```

The information herein pertains to the `routeEventType` and `EventSender` as well.

15.3. Compiling a Module

The `compile` method takes two parameters. The first parameter is the module text or an module object model. The second parameter are compiler arguments.

The output of the compiler is an `EPCompiled` instance. You can deploy `EPCompiled` instances directly into a runtime as described in [Section 16.4, “Deploying and Undeploying Using EPDeploymentService”](#).

15.4. Reading and Writing a Compiled Module

The `EPCompiledIOUtil` class is a utility for writing and reading `EPCompiled` instances to and from jar-files:

- Write an `EPCompiled` instance to a jar file.
- Read a jar file previously written by `EPCompiledIOUtil` and return an `EPCompiled` instance.

15.5. Reading Module Content

Read and parse module files using the `readModule` and `parseModule` methods, which return a `Module` instance to represent the module information.

This code snippet demonstrates reading and parsing a module given a file name:

```
Module      module      =      EPCompilerProvider.getCompiler().read(new
File("switchmonitor.epl"));
```

15.6. Compiler Arguments

The compiler arguments are:

- The `Configuration` object can provide pre-configured event types and variables as well as other compiler settings.
- The `CompilerPath` passes information that the compiler uses to determine the EPL-objects that the module may depend on.
- The `CompilerOptions` are compiler instructions.

15.6.1. Compiler Configuration

Pass a `Configuration` instance to the compiler to configure the compiler. By default the compiler uses an empty configuration object.

The compiler only uses the common section and the compiler section of the configuration. The compiler ignores the runtime section of the configuration.

It is not necessary to pass a configuration object or to pre-configure event types. You may create event types by means of `create schema`.

A pre-configured event types is a convenience since the event type is already defined and ready to use. The common section of the configuration holds the pre-configured event types. The following sample adds a pre-configured `WithdrawalEvent` map-based event type:

```
Map<String, Object> columns = new LinkedHashMap<>();
columns.put("accountId", String.class);
columns.put("amount", double.class);

Configuration configuration = new Configuration();
configuration.getCommon().addEventType("WithdrawalEvent", columns);
CompilerArguments args = new CompilerArguments(configuration);
```

To obtain a configuration object from a runtime call `getConfigurationDeepCopy` ON `EPRuntime`:

```
Configuration configuration = epRuntime.getConfigurationDeepCopy();
CompilerArguments args = new CompilerArguments(configuration);
```

More information on the common and compiler configuration can be found at [Chapter 17, Configuration](#).

15.6.1.1. Configuring the Compiler for Subscribers

By default the compiler does not generate code for subscribers and the `setSubscriber` method on `EPStatement` throws an exception.

You may set the `allowSubscriber` option:

```
Configuration configuration = new Configuration();
configuration.getCompiler().getByteCode().setAllowSubscriber(true);
CompilerArguments args = new CompilerArguments(configuration);
```

15.6.2. Compiler Path

The compiler path provides EPL-objects that other modules may declare and that the current module may use.

For example, assume a module M_1 that declares a named window `WithdrawalWindow`:

```
@public create window WithdrawalWindow#time(10) as Withdrawal
```

A second module M_2 may query the named window like so:

```
select (select count(*) from WithdrawalWindow) as cnt from Withdrawal
```

Module M_2 depends on the EPL-object `WithdrawalWindow` (a named window) that module M_1 declares.

You can build a path from:

- An existing runtime. This adds all EPL-objects that are currently deployed into the runtime to the path.
- Compiled modules.

Assume that your application compiled module M_1 like so:

```
Map<String, Object> columns = new LinkedHashMap<>();
columns.put("accountId", String.class);
columns.put("amount", double.class);
```

```
Configuration configuration = new Configuration();
configuration.getCommon().addEventType("WithdrawalEvent", columns);

CompilerArguments arguments = new CompilerArguments(configuration);
EPCompiled compiledModuleM1 = EPCompilerProvider.getCompiler().compile("@public
create window WithdrawalWindow#time(10) as Withdrawal", arguments);
```

The `compiledModuleM1` instance holds the byte code of module M_1 .

15.6.2.1. Compiling Against a Runtime

After deploying compiled modules to a runtime, the compiler can build the path from the runtime.

The `getRuntimePath` method of `EPRuntime` returns the path object for use by the compiler. The path object is an instance of `EPCompilerPathable`.

The `add` method of `CompilerPath` accepts a `EPCompilerPathable` instance provided by a runtime.

For example, as follows:

```
Map<String, Object> columns = new LinkedHashMap<>();
columns.put("accountId", String.class);
columns.put("amount", double.class);

Configuration configuration = new Configuration();
configuration.getCommon().addEventType("WithdrawalEvent", columns);

// Get a runtime
EPRuntime runtime = EPRuntimeProvider.getDefaultRuntime(configuration);
runtime.getDeploymentService().deploy(compiledModuleM1);

// Compile another module
CompilerArguments arguments = new CompilerArguments(configuration);
arguments.getPath().add(runtime.getRuntimePath());
EPCompiled compiledModuleM2 = EPCompilerProvider.getCompiler().compile("select
(select count(*) from WithdrawalWindow) as cnt from Withdrawal", arguments);
```

15.6.2.2. Adding a Compiled Module to Path

Use the `addPath` method of `CompilerPath` to add a compiled module to path.

For example, as follows:

```
CompilerArguments arguments = new CompilerArguments(configuration);
```



```
arguments.getPath().add(compiledModuleM1);
EPCompiled compiledModuleM2 = EPCompilerProvider.getCompiler().compile("select
(select count(*) from WithdrawalWindow) as cnt from Withdrawal", arguments);
```

15.6.3. Compiler Options

Compiler options provide compiler callbacks and other compile-time parameters:

- Provide or override access modifiers and bus event type modifier.
- Provide or override the statement name.
- Provide a statement user object and that can be obtained from an `EPStatement` with `getUserObjectCompileTime`.
- Provide or override the module name.
- Provide or override module-uses information.
- Receive Janino class-level compiler output for inlined-classes for example for use with black-listing or white-listing classes based on class constant pool information.

Please consult the JavaDoc for more information.

15.7. Statement Object Model

The statement object model is a set of classes that provide an object-oriented representation of statement. The object model classes are found in package `com.espertech.esper.common.client.soda`. An instance of `EPStatementObjectModel` represents a statement's object model.

The statement object model classes are a full and complete specification of a statement. All EPL constructs including expressions and sub-queries are available in the statement object model.

The statement object model provides the means to building, changing or interrogating statements beyond the string representation. The object graph of the statement object model is fully navigable for easy querying by code, and is also serializable allowing applications to persist or transport statements in object form, when required.

The statement object model supports full round-trip from object model to statement string and back to object model: A statement object model can be rendered into a string representation via the `toEPL` method on `EPStatementObjectModel`. Further, the compiler API allows compiling a statement string into an object model representation via the `eplToModel` method on `EPCompiler`.

The statement object model is fully mutable. Mutating any list such as returned by `getChildren()`, for example, is acceptable and supported.

The following limitations apply:

- Statement object model classes are not safe for sharing between threads other than for read access.
- Between versions the serialized form of the object model is subject to change. There are no guarantees that the serialized object model of one version will be fully compatible with the serialized object model generated by another version. Please consider this issue when storing object models in persistent store.

15.7.1. Building an Object Model

A `EPStatementObjectModel` consists of an object graph representing all possible clauses that can be part of a statement.

Among all clauses, the `SelectClause` and `FromClause` objects are required clauses that must be present, in order to define what to select and where to select from.

Table 15.1. Required Statement Object Model Instances

Class	Description
<code>EPStatementObjectModel</code>	All statement clauses for a statement, such as the select-clause and the from-clause, are specified within the object graph of an instance of this class
<code>SelectClause</code>	A list of the selection properties or expressions, or a wildcard
<code>FromClause</code>	A list of one or more streams; A stream can be a filter-based, a pattern-based, SQL-based and other; Add data windows here.

Part of the statement object model package are convenient builder classes that make it easy to build a new object model or change an existing object model. The `SelectClause` and `FromClause` are such builder classes and provide convenient `create` methods.

Within the from-clause you have a choice of different streams to select on. The `FilterStream` class represents a stream that is filled by events of a certain type and that pass an optional filter expression.

We can use the classes introduced above to create a simple statement object model:

```
EPStatementObjectModel model = new EPStatementObjectModel();
model.setSelectClause(SelectClause.createWildcard());
model.setFromClause(FromClause.create(FilterStream.create("ReadyEvent")));
```

The model as above is equivalent to:

```
select * from ReadyEvent
```

Notes on usage:

- Variable names can simply be treated as property names.
- When selecting from named windows or tables, the name of the named window or table is the event type name for use in `FilterStream` instances or patterns.
- To compile an arbitrary sub-expression text into an `Expression` object representation, simply add the expression text to a `where` clause, compile the EPL string into an object model via the `eplToModel` method on `EPCompiler`, and obtain the compiled `where` from the `EPStatementObjectModel` via the `getWhereClause` method.

15.7.2. Building Expressions

The `EPStatementObjectModel` includes an optional where-clause. The where-clause is a filter expression that the runtime applies to events in one or more streams. The key interface for all expressions is the `Expression` interface.

The `Expressions` class provides a convenient way of obtaining `Expression` instances for all possible expressions. Please consult the JavaDoc for detailed method information. The next example discusses sample where-clause expressions.

Use the `Expressions` class as a service for creating expression instances, and add additional expressions via the `add` method that most expressions provide.

The next example adds a simple where-clause to the EPL as shown earlier:

```
select * from ReadyEvent where line=8
```

And the code to add a where-clause to the object model is below.

```
model.setWhereClause(Expressions.eq("line", 8));
```

The following example considers a more complex where-clause. Assume you need to build an expression using logical-and and logical-or:

```
select * from ReadyEvent
where (line=8) or (line=10 and age<5)
```

The code for building such a where-clause by means of the object model classes is:

```
model.setWhereClause(Expressions.or()
    .add(Expressions.eq("line", 8))
```

```
.add(Expressions.and()  
    .add(Expressions.eq("line", 10))  
    .add(Expressions.lt("age", 5))  
));
```

15.7.3. Building a Pattern Statement

The `Patterns` class is a factory for building pattern expressions. It provides convenient methods to create all pattern expressions of the pattern language.

Patterns in EPL are seen as a stream of events that consist of patterns matches. The `PatternStream` class represents a stream of pattern matches and contains a pattern expression within.

For instance, consider the following pattern statement.

```
select * from pattern [every a=MyAEvent and not b=MyBEvent]
```

The next code snippet outlines how to use the statement object model and specifically the `Patterns` class to create a statement object model that is equivalent to the pattern statement above.

```
EPStatementObjectModel model = new EPStatementObjectModel();  
model.setSelectClause(SelectClause.createWildcard());  
PatternExpr pattern = Patterns.and()  
    .add(Patterns.everyFilter("MyAEvent", "a"))  
    .add(Patterns.notFilter("MyBEvent", "b"));  
model.setFromClause(FromClause.create(PatternStream.create(pattern)));
```

15.7.4. Building a Select Statement

This section builds a complete example statement and includes all optional clauses in one statement, to demonstrate the object model API.

A sample statement:

```
insert into ReadyStreamAvg(line, avgAge)  
select line, avg(age) as avgAge  
from ReadyEvent(line in (1, 8, 10))#time(10) as RE  
where RE.waverId != null  
group by line  
having avg(age) < 0  
output every 10.0 seconds
```

```
order by line
```

Finally, this code snippet builds the above statement from scratch:

```
EPStatementObjectModel model = new EPStatementObjectModel();
model.setInsertInto(InsertIntoClause.create("ReadyStreamAvg", "line",
"avgAge"));
model.setSelectClause(SelectClause.create()
    .add("line")
    .add(Expressions.avg("age"), "avgAge"));
Filter filter = Filter.create("ReadyEvent", Expressions.in("line", 1, 8, 10));
model.setFromClause(FromClause.create(
    FilterStream.create(filter, "RE").addView("win", "time", 10));
model.setWhereClause(Expressions.isNotNull("RE.waverId"));
model.setGroupByClause(GroupByClause.create("line"));
model.setHavingClause(Expressions.lt(Expressions.avg("age"),
    Expressions.constant(0)));
model.setOutputLimitClause(OutputLimitClause.create(OutputLimitSelector.DEFAULT,
    Expressions.timePeriod(null, null, null, 10.0, null)));
model.setOrderByClause(OrderByClause.create("line"));
```

15.7.5. Building a Create-Variable and On-Set Statement

This sample statement creates a variable:

```
create variable integer var_output_rate = 10
```

The code to build the above statement using the object model:

```
EPStatementObjectModel model = new EPStatementObjectModel();
model.setCreateVariable(CreateVariableClause.create("integer",
"var_output_rate", 10));
```

A second statement sets the variable to a new value:

```
on NewValueEvent set var_output_rate = new_rate
```

The code to build the above statement using the object model:

```
EPStatementObjectModel model = new EPStatementObjectModel();
```

```
model.setOnExpr(OnClause.createOnSet("var_output_rate",
    Expressions.property("new_rate")));
model.setFromClause(FromClause.create(FilterStream.create("NewValueEvent")));
```

15.7.6. Building Create-Window, On-Delete and On-Select Statements

This sample statement creates a named window:

```
create window OrdersTimeWindow#time(30 sec) as select symbol as sym, volume as
vol, price from OrderEvent
```

The is the code that builds the create-window statement as above:

```
EPStatementObjectModel model = new EPStatementObjectModel();
model.setCreateWindow(CreateWindowClause.create("OrdersTimeWindow").addView("win",
    "time", 30));
model.setSelectClause(SelectClause.create()
    .addWithName("symbol", "sym")
    .addWithName("volume", "vol")
    .add("price"));
model.setFromClause(FromClause.create(FilterStream.create("OrderEvent")));
```

A second statement deletes from the named window:

```
on NewOrderEvent as myNewOrders
delete from OrdersNamedWindow as myNamedWindow
where myNamedWindow.symbol = myNewOrders.symbol
```

The object model is built by:

```
EPStatementObjectModel model = new EPStatementObjectModel();
model.setOnExpr(OnClause.createOnDelete("OrdersNamedWindow", "myNamedWindow"));
model.setFromClause(FromClause.create(FilterStream.create("NewOrderEvent",
    "myNewOrders")));
model.setWhereClause(Expressions.eqProperty("myNamedWindow.symbol",
    "myNewOrders.symbol"));
```

A third statement selects from the named window using the non-continuous on-demand selection via on-select:

```
on QueryEvent(volume>0) as query
select count(*) from OrdersNamedWindow as win
where win.symbol = query.symbol
```

The on-select statement is built from scratch via the object model as follows:

```
EPStatementObjectModel model = new EPStatementObjectModel();
model.setOnExpr(OnClause.createOnSelect("OrdersNamedWindow", "win"));
model.setWhereClause(Expressions.eqProperty("win.symbol", "query.symbol"));
model.setFromClause(FromClause.create(FilterStream.create("QueryEvent",
    "query",
    Expressions.gt("volume", 0))));
model.setSelectClause(SelectClause.create().add(Expressions.countStar()));
```

15.8. Substitution Parameters

Substitution parameters have the following syntax:

```
? [:[name] [:type]]
```

The name is optional. The absence of a name means the substitution parameter is only addressable by index.

The type is optional. The absence of the type means the type of the substitution parameter is `java.lang.Object`. Use `cast` or provide a type name when your expression requires a strongly-typed value. The type can also be a parameterized type such as `java.util.List<String>`.

Here are a few examples of valid substitution parameters:

Table 15.2. Valid Substitution Parameters

Value	Description
?	Unnamed and typed <code>Object</code> .
?::int	Unnamed and typed <code>int</code> .
?:param:string	Named and typed <code>string</code> .

All substitution parameters must either be unnamed or named. It is not possible to mix the two styles.

If not assigning a name to substitution parameters, the compiler assigns the first substitution parameter an index of 1 and subsequent parameters increment the index by one.

If assigning a name to each substitution parameter, the name can include slash (/) characters and can occur multiple times.

Substitution parameters can be inserted into any EPL construct that takes an expression. They are therefore valid in any clauses such as the select-clause, from-clause filters, where-clause, group-by-clause, having-clause or order-by-clause, including data window parameters and pattern observers and guards, for example. Substitution parameters cannot be used where a numeric constant is required rather than an expression and in SQL statements.

You may use square brackets ([]) to denote array-types and [primitive] for array of primitive. For example `int[primitive]` for array of `int`-primitive and `int[]` for array of `Integer`.

All substitution parameters must be replaced by actual values at time of deployment.

15.9. OSGi, Class Loader, Class-For-Name

The configuration object (`Configuration`), in respect to classes, holds the fully-qualified class name and does not generally hold `Class` references. This is by design since the configuration object can be populated from XML.

The compiler may need to look up a class by name and may need to obtain a class loader. Your application has full control over class-for-name and classloader use. OSGi environments can provide a specific class-for-name and class loader. Please refer to [Section 17.7, “Passing Services or Transient Objects”](#).

15.10. Authoring Tools

Enterprise Edition includes authoring tools for statements and modules by providing form-based dialogs, templates, an expression builder, simulation tool and other tools. Enterprise Edition also supports hot deployment and packaging options for EPL and related code.

Statements can be organized into modules as described above. Any text editor can edit statements and module text. A text editor or IDE that highlights SQL syntax or keywords works.

For authoring configuration files please consult the XSD schema files as provided with the distribution.

For information on authoring event classes or event definitions in general please see [Chapter 3, Event Representations](#) or [Section 5.15, “Declaring an Event Type: Create Schema”](#).

15.11. Testing Tools

We recommend testing modules using a test framework such as JUnit or TestNG. Please consult the regression test suite for extensive examples, which can be downloaded from the distribution site.

Esper's API provides test framework classes to simplify automated testing of statements. Please see [Section 16.18, "Test and Assertion Support"](#) for more information.

We recommend performing latency and throughput tests early in the development lifecycle. Please consider the performance tips in [Chapter 24, Performance](#) for optimal performance.

Consider runtime and statement metrics reporting for identifying slow-performing statements, for example. See [Section 16.12, "Runtime and Statement Metrics Reporting"](#).

15.12. Debugging

Enterprise Edition includes a debugger for module execution.

One important tool for debugging without Enterprise Edition is the parameterized `@Audit` annotation. This annotation allows to output, on statement-level, detailed information about many aspects of statement processing.

Another tool for logging runtime-level detail is [Section 17.6.2.1, "Execution Path Debug Logging"](#).

Please see [Section 17.9, "Logging Configuration"](#) for information on configuring logging in general.

15.12.1. @Audit Annotation

Use the `@Audit` annotation to have the runtime output detailed information about statement processing. The runtime reports, at INFO level, the information under log name `com.espertech.esper.audit`. You may define an output format for audit information via configuration.

You may provide a comma-separated list of category names to `@Audit` to output information related to specific categories only. The table below lists all available categories. If no parameter is provided, the runtime outputs information for all categories. Category names are not case-sensitive.

For the next statement the runtime produces detailed processing information (all categories) for the statement:

```
@Name('All Order Events') @Audit select * from OrderEvent
```

For the next statement the runtime provides information about new events and also about event property values (2 categories are listed):

```
@Name('All Order Events') @Audit('stream,property') select price from OrderEvent
```

Here is a more complete example that uses the API to create the schema, create above statement and send an event:

```

try {
    String module =
        "@public @buseventtype create schema OrderEvent(price double);\n" +
        "@name('All-Order-Events') @Audit('stream,property') select price from
OrderEvent;\n";
    EPCompiled compiled = EPCompilerProvider.getCompiler().compile(module, null);

    EPRuntime runtime = EPRuntimeProvider.getDefaultRuntime();
    EPDeployment deployment = runtime.getDeploymentService().deploy(compiled);
    deployment.getStatements()[0].addListener(new SupportUpdateListener());
    runtime.getEventService().sendEventMap(Collections.singletonMap("price",
100d), "OrderEvent");
} catch (Throwable t) {
    log.error(t.getMessage(), t);
}

```

The output is similar to the following:

```

INFO [audit] Statement All-Order-Events stream OrderEvent inserted {price=100.0}
INFO [audit] Statement All-Order-Events property price value 100.0

```

Table 15.3. @Audit Categories

Category	Description
ContextPartition	Each context partition allocation and de-allocation (only for statements that declare a context).
Dataflow-Source	Each data flow source operator providing an event.
Dataflow-Op	Each data flow operator processing an event.
Dataflow-Transition	Each data flow instance state transition.
Exprdef	Each expression declaration name and return value.
Expression	Each top-level expression and its return value.
Expression-nested	Each expression including child or nested expressions and their return value.
Insert	Each event inserted via insert-into.
Pattern	Each pattern sub-expression and its change in truth-value.
Pattern-instances	Each pattern sub-expression and its count of active instances.
Property	Each property name and the event's property value.
Schedule	Each schedule modification and trigger received by a statement.

Category	Description
Stream	Each new event received by a statement.
View	Each data window name and its insert and remove stream.

Note that the runtime only evaluates select-clause expressions if either a listener or subscriber is attached to the statement or if used with insert-into.

15.13. Ordering Multiple Modules

Since modules may have inter-dependencies as discussed under the `uses` declaration, there is a `ModuleOrderUtil` class that provides the `getModuleOrder` method to order a collection of modules before deployment.

Assuming your application reads multiple modules into a `mymodules` module list, this code snippet orders the modules for deployment and validates dependency declarations for each module:

```
List<Module> mymodules = ... read modules...;
ModuleOrder order = ModuleOrderUtil.getModuleOrder(mymodules, new
ModuleOrderOptions());
```

15.14. Logging

You can log generated classes at INFO log level by setting the configuration flag for code logging as described in [Section 17.5.3.1, “Byte Code Generation Logging”](#).

15.15. Debugging Generated Code

The information herein is for developers and is specific to the Janino compiler at the version provided with the distribution.

Set the system property `org.codehaus.janino.source_debugging.enable` to `true` to have Janino compile code with debug symbols.

Set the system property `org.codehaus.janino.source_debugging.dir` to a file system directory to have Janino generate classes into a given directory.

The IDE can debug into generated classes and show the source code provided that the IDE can access the source code. For example:

```
-Dorg.codehaus.janino.source_debugging.dir=/path/to/directory
-Dorg.codehaus.janino.source_debugging.enable=true
```

To include additional EPL-related comments in the generated code you can change the configuration as outlined in [Section 17.5.1, “Compiler Settings Related to Byte Code Generation”](#).

15.16. Compiler Version and Runtime Version

The version format is *major.minor.patch-level*.

When deploying a compiled module to a runtime, or when executing a compiled fire-and-forget query, the runtime compares the compiler version that produced the compiled module or compiled query with the runtime version. If the major or minor version does not match, the runtime indicates a version mismatch by throwing an exception.

For example, an application may compile an EPL module using the version 8.0.0 compiler, i.e. the compiler major version is eight and the compiler minor version is zero and the compiler patch level is zero. Assume the application attempts to deploy the compiled module to a runtime of version 8.1.0, i.e. the runtime major version is eight and the runtime minor version is one and the runtime patch level is zero. The runtime throws an `EPDeployDeploymentVersionException` exception to indicate that the minor version mismatches.

15.17. Compiler Byte Code Optimizations

The compiler generates byte code that avoids down-casts and branching. It also removes many virtual calls as it transforms expression trees into byte code.

For aggregations the compiler produces a custom aggregation row class that has fields which represent the aggregation state. Therefore each aggregation row does not need additional objects to represent aggregations such as averages or sums and instead the aggregations are fields of the same class, reducing the number objects that the runtime manages per group-by key.

For any composite keys out of two or more expressions the compiler produces a class that represents the composite key and that implements `equals` and `hashCode`. This is applicable to the `group-by` clause including `rollup`, data windows with keys (such as `#unique`, `#firstunique`, `#groupwin`, `#rank`), `partition-by` for keyed segmented contexts, contexts with `distinct`, the `select-clause` `distinct` keyword, the query planner when planning implicit and explicit indexes, `create index`, `every-distinct`, the `partition-by` clause for match-recognize, table column keyed-access expressions, the `for-clause` for grouped delivery and the `distinctOf` enumeration method.

15.18. Compiler Filter Expression Analysis

The compiler analyzes filter expressions so that the runtime can build filter indexes. For more information on filter indexes please see [Section 2.18.2, “Filter Indexes”](#).

By default the compiler uses advanced techniques for planning filter indexes. Your application may disable some or all of the advanced techniques as described in [Section 17.5.8.2, “Filter Index Planning”](#).

To output the filter plans please set a compiler flag as described in [Section 17.5.3.2, “Filter Plan Logging”](#).



Tip

- Filter indexed planning, like all index planning, reflects a trade-off of amount of space needed for the index, the processing time required to build and maintain an index versus the performance gain of matching incoming events to statements and their partitions when there are many (same or different) filters.
- The compiler does automatically plan all possible filter indexes. For performance tuning the `ConfigurationCompilerExecution.FilterIndexPlanning.BASIC` setting and `ConfigurationCompilerExecution.FilterIndexPlanning.NONE` setting and the hints are also available.

15.18.1. Constituent Analysis

This section applies in the default configuration (`FilterIndexPlanning.ADVANCED`) and the non-default `FilterIndexPlanning.BASIC` configuration.

The compiler analyzes filter expressions by first determining the *constituents*. Constituents are the individual expressions, connected by the `and` and `or` logical operator, that each return a `boolean`-type value and that make up the overall expression.

For instance, this EPL statement:

```
select * from Withdrawal(accountId = '123' and accountType = 'Checking')
```

The constituent expressions are `accountId = '123'` and `accountType = 'Checking'` (two constituent expressions).

The compiler analyzes each constituent expression separately. From a single constituent expression it attempts to form a *lookupable-expression*, *filter-index-operator* and *value-expression* triplet. For those constituent expressions that the compiler cannot form a triplet the compiler aggregates such expression into a common boolean expression. The remainder of the discussion focuses on a constituent expression and forming a triplet from it.

The *lookupable-expression* is the expression providing the filter index lookup value, for example the `accountId` expression in `accountId = '123'`.

The *value-expression* is the expression providing the indexed value, for instance the `'123'` expression in `accountId = '123'`.

The *filter-index-operator* means the type of index such as `equals(=)`, relational (`<`, `>`, `<=`, `>=`) etc..

Therefore, in `Withdrawal(accountId = '123')`, the filter-index-operator is `equals` and the lookupable-expression is `accountId` and the value-expression is `'123'`.

The expressions that are left and right of a filter-index-operator are commutative, meaning they give the same result whatever the expression occurs on either side of the operator. It is equivalent to say `accountId = '123' and '123' = accountId`.

The order in which constituent expressions appear does matter. Place the most frequent constituent expressions first. Each filter-index-operator has a precedence level and the compiler orders by precedence level keeping the order as provided within the same precedence level. The precedence levels are, sorted by higher precedence level first, as follows: equal, is, in-list-of-values, advanced-index, range-open, range-half-open, range-half-closed, range-closed, less, less-or-equal, greater-or-equal, greater, not-range-closed, not-range-half-closed, not-range-half-open, not-range-open, not-in-list-of-values, not-equal, is-not.

The lookupable-expression in a triplet must be any of the following:

- Event property of the arriving event
- Plug-in single-row node with filter-optimizable setting enabled
- Declared expression
- The `typeof` function
- Other expressions; See hint [Section 15.18.3, “Lookupable Composite Expression Analysis”](#) for more information.

The following operators are the triplet filter-index-operator operators. A constituent expression that has one of these operators qualifies for a triplet:

- equals =
- not equals !=
- comparison operators `<` , `>` , `>=` , `<=`
- ranges
 - use the `between` keyword for a closed range where both endpoints are included
 - use the `in` keyword and `round ()` or square brackets `[]` to control how endpoints are included
 - for inverted ranges use the `not` keyword and the `between` or `in` keywords
- list-of-values checks using the `in` keyword or the `not in` keywords followed by a comma-separated list of values
- Other operators; See hint [Section 15.18.4, “Boolean Reusable Expression Analysis”](#) for more information.

The value-expression in a triplet can only be any of the expressions below:

- Constant
- Substitution parameter
- Event property of a prior-matching event (not the currently arriving event)

- Context property
- The `typeof` function
- Plug-in single-row node with filter-optimizable setting enabled
- Declared expression
- Other expressions; See hint [Section 15.18.2, “Value Composite Expression Analysis”](#) for more information.

The `or` logical operator plays a special role in compiler analysis. The compiler rewrites the expression `accountId = '123' or accountId = '456'` to `accountId in ('123', '456')`. It also plans multiple filter index path which is further described at [Section 17.5.8.1, “Filter Service Max Filter Width”](#).

The order of the triplets, which follows the ordering of the constituents and the ordering according to filter-index-operator precedence level (see above), defines the default nesting of filter indexes. The runtime, upon adding to the filter, may however encounter existing filter indexes and always prefers to add to existing filter indexes and following an existing path where possible, or creating new branches and leaves from the existing path.

The compiler unwinds logical `and` and `or` and may also rewind such expressions for planning as below. Therefore the expression `a and (b and c)` is the same as `a and b and c` and the expression `a or (b or c)` is the same as `a or b or c`.

15.18.2. Value Composite Expression Analysis

This section applies to the default configuration (`FilterIndexPlanning.ADVANCED`) and also when the configuration is `FilterIndexPlanning.BASIC` and the EPL contains the `@Hint('filterindex(valuecomposite)')` hint.

The compiler considers an expression that is meeting certain criteria to be a value-expression provided that there is one of the filter-index-operators as described above.

The compiler considers value expressions that are any expression and that do not have any of the following:

- Subquery
- Non-constant variable
- Event property of the currently-arriving event
- Expression returning the currently-arriving event i.e. wildcard or stream alias
- Table access
- Plug-in single-row node with filter-optimizable setting disabled
- Lambda expression

- Declared expression
- `current_timestamp` Function

For example, consider the following EPL statements:

```
create constant variable string PREFIX = "CHK";
select * from Withdrawal(accountId = PREFIX || '123')
```

The expression `PREFIX || '123'` is a filter index value-expression and its return value is subject to entry into a filter index as a key.

The following example demonstrates the concept further:

```
create context TransactionContext initiated by Transaction as txn terminated
after 10 minutes;
@Hint('filterindex(valuecomposite)')
context TransactionContext select * from Withdrawal(accountId =
context.txn.transactionTarget || '-A')
```

Assume the following events arrive:

- `Transaction(transactionId=1, transactionTarget='123')`.
- `Transaction(transactionId=2, transactionTarget='456')`.
- `Transaction(transactionId=3, transactionTarget='123')`.

The below table is a sample filter index:

Table 15.4. Sample Filter Index

Value of <code>context.txn.transactionTarget</code> '-A'	Statements and their partitions
'123-A'	Statement Stmt-1 Partition <code>context.txn.transactionId=1, Statement</code> <code>Stmt-1 Partition</code> <code>context.txn.transactionId=3</code>
'456-A'	Statement Stmt-1 Partition <code>context.txn.transactionId=2</code>

When a `Withdrawal` event arrives, the runtime evaluates `accountId` just once and performs one keyed lookup into the filter index to determine which statements and their partitions should process the event.

The following example pattern results in equivalent filter index planning:

```
select * from pattern[txn=Transaction -> Withdrawal(accountId =
txn.transactionTarget || '-A')]
```

15.18.3. Lookupable Composite Expression Analysis

This section applies to the default configuration (`FilterIndexPlanning.ADVANCED`) and also when the configuration is `FilterIndexPlanning.BASIC` and the EPL contains the `@Hint('filterindex(lkupcomposite)')` hint.

The compiler considers an expression that is meeting certain criteria to be a lookupable-expression provided that there is one of the filter-index-operators as described above.

The lookupable-expression, in any subexpression, must reference at least one event property or the event itself and cannot have any of the following:

- Subquery
- Non-constant variable
- Context property
- Table access
- Plug-in single-row node with filter-optimizable setting disabled
- Lambda expression
- Script expression
- In a pattern, event property of a tagged event, or the tagged event itself (other than self)
- Method invocation of non-public inlined class

This hint is usually used when:

- Using a context and there are many context partitions
- Using patterns and there are many active pattern subexpressions
- There are many statements that have the same filter expression(s)

Consider the following EPL statement:

```
select * from Withdrawal(accountId || accountType = '123Checking')
```

The expression `accountId || accountType` can serve as a lookupable-expression. The compiler plans a filter index that indexes values such as `'123Checking'` and that uses the return value of `accountId || accountType` to perform a keyed lookup into the indexed values.

Extending the example above, please look at the following EPL:

```
create context TransactionContext initiated by Transaction as txn terminated
after 10 minutes;
@Hint('filterindex(lkupcomposite)')
context TransactionContext select * from Withdrawal(accountId || accountType =
context.txn.transactionTarget)
```

Assume the following events arrive:

- `Transaction(transactionId=1, transactionTarget='123A')`.
- `Transaction(transactionId=2, transactionTarget='456B')`.
- `Transaction(transactionId=3, transactionTarget='123A')`.

The below table is a sample filter index:

Table 15.5. Sample Filter Index

Value of <code>context.txn.transactionTarget</code>	Statements and their partitions
'123A'	Statement Stmt-1 Partition <code>context.txn.transactionId=1, Statement</code> <code>Stmt-1 Partition</code> <code>context.txn.transactionId=3</code>
'456B'	Statement Stmt-1 Partition <code>context.txn.transactionId=2</code>

When a `Withdrawal` event arrives, the runtime evaluates `accountId || accountType` just once and performs one keyed lookup into the filter index to determine which statements and their partitions should process the event.

15.18.4. Boolean Reusable Expression Analysis

This section applies to the default configuration (`FilterIndexPlanning.ADVANCED`) and also when the configuration is `FilterIndexPlanning.BASIC` and the EPL contains the `@Hint('filterindex(boolcomposite)')` hint.

The compiler considers any expression that is meeting certain criteria to be a reusable boolean expression (does not require any of the filter-index-operators).

The expression must not have any of the following:

- Subquery
- Non-constant variable
- Table access
- Plug-in single-row node with filter-optimizable setting disabled
- Lambda expression
- Method invocation of non-public inlined class
- Declared expression
- Chained expression

The expression must, in any subexpression, reference at least one event property or the event itself. All other expressions must be value-expressions that meet the same requirements as outlined for `valuecomposite`. The expression may not, in all subexpressions, have multiple value expressions that reference context properties or, in a pattern, event properties of prior events or prior events themselves.

Review the following EPL statement:

```
select * from Withdrawal(accountId regexp '.*123.*')
```

The compiler plans a filter index that holds the expression itself and all actual values (determined at runtime, such as `.*123.*`) and their related statements and partitions.

Consider the following wherein `Transaction` events have a `regexpFilter` field that provides the regexp-right-hand-side value:

```
create context TransactionContext initiated by Transaction as txn terminated
after 10 minutes;
@name('Stmt-1') context TransactionContext select * from Withdrawal(accountId
regexp context.txn.regexpFilter)
```

Assume the following events arrive:

- `Transaction(transactionId=1, regexpFilter=.*123.*)`.
- `Transaction(transactionId=2, regexpFilter=.*456.*)`.
- `Transaction(transactionId=3, regexpFilter=.*123.*)`.

The below table is a sample filter index:

Table 15.6. Sample Filter Index

Value of <code>context.txn.regexFilter</code>	Statements and their partitions		
'.*123.*'	Statement <code>context.txn.transactionId=1,</code> Stmt-1 <code>context.txn.transactionId=3</code>	Stmt-1	Partition Statement Partition
'.*456.*'	Statement <code>context.txn.transactionId=2</code>	Stmt-1	Partition

When a `Withdrawal` event arrives, the runtime evaluates `accountId regexp '.*123.*'` and `accountId regexp '.*456.*'` both once.

15.18.5. Condition Analysis and Planning

This section applies to the default configuration (`FilterIndexPlanning.ADVANCED`) and also when the configuration is `FilterIndexPlanning.BASIC` and the EPL contains the `@Hint('filterindex(condition)')` hint.

The compiler identifies:

- Any *filter-negating-expression* expressions.
- Any *filter-confirming-expression* expressions.
- Any *path-negating-expression* expressions.
- Any *triplet-confirming-expression* expressions.

15.18.5.1. Filter-Negating-Expression

A filter-negating-expression is a value-composite-expression that, when false, negates the filter. An example follows.

```
create context TransactionContext initiated by Transaction as txn terminated
after 10 minutes;
context TransactionContext select * from Withdrawal(accountId='123' and
context.txn.counterparty='A')
```

The filter-negating-expression is `context.txn.counterparty='A'`. When false the runtime does not look for `Withdrawal` events.

15.18.5.2. Filter-Confirming-Expression

A filter-confirm-expression is a value-composite-expression that, when true, means there are no other filter criteria. Here is an example:

```
create context TransactionContext initiated by Transaction as txn terminated
after 10 minutes;
context TransactionContext select * from Withdrawal(accountId='123' or
context.txn.counterparty='A')
```

The filter-confirming-expression is `context.txn.counterparty='A'`. When true the runtime does not look at the `accountId` value of `Withdrawal` events.

15.18.5.3. Path-Negating-Expression

A path-negating-expression is a value-composite-expression that, when false, negates an alternative, for instance:

```
create context TransactionContext initiated by Transaction as txn terminated
after 10 minutes;
context TransactionContext select * from Withdrawal(accountId='123' or
(accountType='Checking' and context.txn.counterparty='A'))
```

The path-negating-expression is `context.txn.counterparty='A'`. When false the runtime does not look at the `accountType` value of `Withdrawal` events.

15.18.5.4. Triplet-Confirming-Expression

A triplet-confirming-expression is a value-composite-expression that, when true, skips a triplet. The example is:

```
create context TransactionContext initiated by Transaction as txn terminated
after 10 minutes;
context TransactionContext select * from Withdrawal( (accountId='123'
or context.txn.counterparty='A') and (accountType='Checking' or
context.txn.counterparty='B'))
```

There are two triplet-confirming-expressions. When `context.txn.counterparty='A'` is true the runtime does not look at the `accountId` value of `Withdrawal` events. When `context.txn.counterparty='B'` is true the runtime does not look at the `accountType` value of `Withdrawal` events.

15.19. Limitations

The JVM platform limits the constant pool of classes and method size of methods. The EPL compiler minimizes the chance of stepping over JVM limits, see [Section 17.5.1.1, “Byte Code General Settings”](#). It is however currently still possible but unlikely to exceed limits. Please contact support for progress on this issue.

Chapter 16. Runtime Reference

16.1. Introduction

The runtime takes on these functions:

- Provide an environment to execute compiled modules.
- Provide an environment to run compiled fire-and-forget queries.
- Process incoming events and time against deployed modules.

Your application obtains a runtime from `EPRuntimeProvider`. You may pass an arbitrary string-type runtime URI that uniquely identifies the runtime instance.

A runtime is an instance of `EPRuntime`. Use the runtime as follows:

- The runtime is a stateful service.
- You may obtain and use any number of runtime instances in parallel, each runtime instance uniquely identified by the runtime URI.
- You may share a runtime instance between threads.
- All runtime methods are thread-safe.
- Each runtime is completely independent of other runtimes.

16.2. Obtaining a Runtime From `EPRuntimeProvider`

The `EPRuntimeProvider` class provides static methods that return `EPRuntime` runtimes.

Each runtime has a unique runtime URI which can be any string value. If your application does not pass a runtime URI then the default URI is `default` (as defined by `EPRuntimeProvider.DEFAULT_RUNTIME_URI`).

For the `getRuntime` methods, your application can pass a runtime URI to obtain different runtimes. The `EPRuntimeProvider` determines whether the provided runtime URI matches any existing runtime URIs and returns the existing runtime, or allocates a new runtime if none was found.

The `getExistingRuntime` method takes a runtime URI and returns the existing runtime for that URI or `null` if there is none.

The code snip below gets the default runtime. Subsequent calls to get the default runtime return the same runtime.

```
EPRuntime runtime = EPRuntimeProvider.getDefaultRuntime();
```

The next code gets a runtime for the runtime URI `RFIDProcessor1`. Subsequent calls to get a runtime with the same runtime URI return the same runtime instance.

```
EPRuntime runtime = EPRuntimeProvider.getRuntime("RFIDProcessor1");
```

Since the `getRuntime` methods return the same runtime for each URI there is no need to statically cache a runtime in your application.

You may also pass an optional `Configuration`. The next code snippet outlines a typical sequence of use:

```
// Configure the runtime, this is optional
Configuration config = new Configuration();
config.configure("configuration.xml"); // load a configuration from file

// Optionally set additional configuration values like so:
// config.getCommon().add....(...);

// Obtain a runtime
EPRuntime runtime = EPRuntimeProvider.getDefaultRuntime(config);

// Optionally, use initialize if the same runtime has been used before to start
// clean
runtime.initialize();

// Destroy the runtime when no longer needed, frees up resources, releases the
// runtime URI
runtime.destroy();
```

16.3. The `EPRuntime` Runtime Interface

The `EPRuntime` interface represents a runtime. Only the static methods of the `EPRuntimeProvider` class allocate new runtimes. A runtime is uniquely identified by runtime URI. The runtime URI is an arbitrary string. The default runtime has a runtime URI of `default`.

A runtime provides these services:

Table 16.1. Choices For Receiving Statement Results

Service	Runtime Method	Description
<code>EPDeploymentService</code>	<code>getDeploymentService</code>	For deploying and undeploying compiled modules.

Service	Runtime Method	Description
EPEventService	getEventService	For processing events and advancing time.
EPContextPartitionService	getContextPartitionService	For information about context partitions.
EPVariableService	getVariableService	For access to variables.
EPEventTypeService	getEventTypeService	For obtaining event types.
EPFireAndForgetService	getFireAndForgetService	For executing fire-and-forget queries.
EPDataFlowService	getDataFlowService	For managing data flows.
EPMetricsService	getMetricsService	For control over metrics.
EPRenderEventService	getRenderEventService	For rendering events.

You can reset a runtime by calling the `initialize` method. This operation resets the runtime to the configuration last provided to `EPRuntimeProvider`. If no configuration is provided, an empty (default) configuration applies. Your application must obtain new services from the initialized runtime as `initialize` marks existing services as invalid.

A runtime can be destroyed via the `destroy` method. This frees all resources held by the runtime. After a call to `destroy` the runtime can no longer be used.

You may register callbacks to receive notifications about runtime state. The runtime invokes any `EPRuntimeStateListener` callbacks when a runtime instance is about to be destroyed and after a runtime has been initialized. Use the `addRuntimeStateListener` methods to register interest.

When destroying a runtime your application must make sure that threads that are sending events into the runtime have completed their work. More generally, the runtime should not be currently in use during or after the destroy operation.

All runtime instances are completely independent. Your application may not send `EventBean` instances obtained from one runtime into a second runtime since the event type space between two runtimes is not shared.

16.4. Deploying and Undeploying Using `EPDeploymentService`

Your application must first compile a module or obtain a compiled module before it can deploy. The object representation of a compiled module is `EPCompiled`.

Call the `deploy` method and pass the compiled module. The runtime loads the byte code and adds the information contained in the byte code, causing all the compiled module's statements to begin receiving events and time.

Deploying is an atomic operation. At deployment completion all statements of the deployment begin to see events arriving and time passing consistently. In case the deployment fails the runtime rolls back all deployment changes.

The runtime resolves dependencies of the compiled module upon its deployment. The runtime does not validate that the information about EPL-object dependencies that existed at compile-time matches the runtime EPL-objects.

For example, assume there is a compiled module by name `compiledModuleM1`. Deploy as follows:

```
EPDeployment deployment =
runtime.getDeploymentService().deploy(compiledModuleM1);
```

The runtime returns a `EPDeployment` instance that contains the deployment id, the `EPStatement` statement instances, module name and module properties. The deployment id is an arbitrary string-type identifier that uniquely identifies the deployment in the runtime.

The `undeploy` method takes the deployment id and undeploys the deployment. The `undeployAll` method undeploys all deployments.

A compiled module may be deployed any number of times. Substitution parameters can be handy for parameterizing deployed modules.

Your application may deploy and undeploy using any thread and also within listener or subscriber code. If using Bean-style class-based events your application may not invoke `deploy` or `undeploy` methods as part of getter or setter code. Extension API code and plug-in single-row methods also may not invoke `deploy` or `undeploy` methods.

You may pass a `DeploymentOptions` instance. Deployment options provide deployment callbacks and other deploy-time parameters:

- Provide a deployment id. If none is provided the runtime generates a unique deployment id.
- Provide substitution parameter values for parameterized modules.
- Provide or override statement names.
- Provide a runtime statement user object that gets associated to the statement and that can be obtained from an `EPStatement` with `getUserObjectRuntime`.

Please consult the JavaDoc for more information.

16.4.1. Substitution Parameters

The compiled module may have substitution parameters as explained in the compiler documentation.

All substitution parameters must be replaced by actual values before a compiled module with substitution parameters can be deployed. A compiled module may be deployed multiple times. Substitution parameters can be set to new values for every deployment.

To set substitution parameter values pass a `DeploymentOptions` object to the `deploy` method that provides a `StatementSubstitutionParameterOption`.

If not assigning a name to substitution parameters, replace the substitution parameter with an actual value using the `setObject(int index, Object value)` method for each index, starting from 1.

If assigning a name to each substitution parameter, replace the substitution parameter with an actual value using the `setObject(String name, Object value)` method for each name.

While the `setObject` method allows substitution parameters to assume any actual value including application Java objects or enumeration values, the application must provide the correct type of substitution parameter that matches the requirements of the expression the parameter resides in.

The below sample code compiles and deploys a parameterized module:

```
String stmt = "select * from PersonEvent(firstName=?::string)";
Configuration configuration = new Configuration();
configuration.getCommon().addEventType(PersonEvent.class);
CompilerArguments compilerArguments = new CompilerArguments(configuration);
EPCompiled compiled = EPCompilerProvider.getCompiler().compile(stmt,
    compilerArguments);

DeploymentOptions deploymentOptions = new DeploymentOptions();
deploymentOptions.setStatementSubstitutionParameter(prepared      ->
    prepared.setObject(1, "Joe"));
EPDeployment deployment = runtime.getDeploymentService().deploy(compiled,
    deploymentOptions);
EPStatement statement = deployment.getStatements()[0];
```

16.4.2. Roll-Out of Multiple Compiled Modules

Your application may deploy multiple compiled modules by calling the `rollout` method of `EPDeploymentService`. Roll-out deploys each compiled module, either deploying all compiled modules or deploying none of the compiled modules.

Internally to the runtime, a roll-out generally follows these steps:

1. For each compiled module, determine the deployment id or use the deployment id when provided in the deployment options; Check that all deployment ids do not already exist
2. For each compiled module, load the compilation unit via classloader and validate basic class-related information such as manifest information and version
3. For each compiled module, check deployment preconditions and resolve deployment dependencies on EPL objects
4. For each compiled module, initialize statement-internal objects
5. For each compiled module, perform internal deployment of each statement of each module

In case any of the above steps fail the runtime completely rolls back all changes.



Note

Roll-out does not re-order compiled modules and expects `EPCompiled` instances to be ordered according to module dependencies (if any).

For multiple rollouts or for atomically adding listeners and subscribers use [Section 16.4.3, "Atomic Deployment Management"](#).

16.4.3. Atomic Deployment Management

Your application can concurrently send events into the runtime while deploying and undeploying statements and adding or removing listeners. It is safe to undeploy and deploy compiled modules while sending in events from other threads concurrently.

However in some cases your application may need more control over deployment, for example when deploying multiple modules or when attaching custom listener code.

Your application can use the API described below to obtain a lock and perform deployment actions as an atomic unit. For example, if your application would like to undeploy and re-deploy as a single atomic unit, while at the same time sending events into the runtime from different threads, it can obtain a lock to ensure that no events are concurrently processed while the operations take place.



Note

Deploying or undeploying a single compiled module is already an atomic operation by default and does not require taking an explicit lock. If your application would like to deploy multiple compiled modules or add custom listeners or subscribers during deployment it may obtain a lock as discussed below.

The below code sample obtains the runtime exclusive write lock to perform multiple management operations as a unit, excluding concurrent processing of events.

```
runtime.getRuntimeInstanceWideLock().writeLock().lock();
// Start atomic management unit.
// Any events concurrently being processed by other threads must complete before
// the code completes obtaining the lock.
// Any events sent in by other threads will await the release of the lock.
try {
    // Perform operations such as :
    // - deploy and/or undeploy multiple compiled modules (deployment admin API)
    // - set statement listeners and subscribers while deploying
    // There is no need to obtain this lock when deploying or undeploying a
    single module.
```

```

// The lock is reentrant and can be safely taken multiple times by the same
thread.
// Make sure you use "try" and "finally" just like we have it here.
}
finally {
// Complete atomic management unit.
// Any events sent in by other threads will now continue processing against
the changed set of statements.
runtime.getRuntimeInstanceWideLock().writeLock().unlock();
}

```



Note

There should always be a `finally` block in your code to ensure the lock is released in all cases.

16.5. Obtaining Results Using `EPStatement`

A compiled module contains zero, one or multiple statements. You can attach callbacks (listeners, subscribers) to statements to receive results (aka push, observer pattern). You can iterate statement current results (aka. poll).

Each statement is uniquely identified in the runtime by the combination of deployment id and statement name. The compiler or runtime always assign a statement name if none was provided.

The `EPStatement` instance represents the statement. Your application receives statements when deploying a module by calling `getStatements` on `EPDeployment`.

Your application may also look up a statement by its deployment id and statement name using the `getStatement` method on `EPDeploymentService`.

16.5.1. Receiving Statement Results


For NEsper .NET also see [Section J.14, “.NET API - Receiving Statement Results”](#).

Esper provides three choices for your application to receive statement results. Your application can use all three mechanisms alone or in any combination for each statement. The choices are:

Table 16.2. Choices For Receiving Statement Results

Name	Methods on <code>EPStatement</code>	on	Description
Listener Callbacks	<code>addListener</code> <code>removeListener</code>	and	Your application provides implementations of the <code>UpdateListener</code> interface to the statement. Listeners receive <code>EventBean</code> instances containing statement results.

Name	Methods	on Description
Subscriber Object	<code>EPStatement</code> <code>setSubscriber</code>	<p>The runtime continuously indicates results to all listeners.</p> <p>Requires setting the <code>allowSubscriber</code> option on the compiler.</p> <p>Your application provides a POJO (plain Java object) that exposes methods to receive statement results.</p> <p>The name of the method that a subscriber object provides to receive results is <code>update</code>, unless your call to <code>setSubscriber</code> provides another method name.</p> <p>The runtime continuously indicates results to the single subscriber.</p> <p>This is the fastest method to receive statement results, as the runtime delivers strongly-typed results directly to your application objects without the need for building an <code>EventBean</code> result set.</p> <p>There can be at most one subscriber object registered per statement. If you require more than one listener, use the listener instead (or in addition). The subscriber object is bound to the statement with a strongly typed support which ensure direct delivery of new events without type conversion. This optimization is made possible because there can only be zero or one subscriber object per statement.</p>
Pull API	<code>safeIterator</code> and <code>iterator</code>	<p>Your application asks the statement for results and receives a set of events via <code>java.util.Iterator<EventBean></code>.</p> <p>This is useful if your application does not need continuous indication of new results in real-time.</p>



Tip

The runtime calls application-provided update listeners and subscribers for output. These commonly encapsulate the actions to take when there is output. This design decouples statements from actions and places actions outside of EPL. It allows

actions to change independently from statements: A statement does not need to be updated when its associated action(s) change.

While action-taking, in respect to the code or script taking action, is not a part of the EPL language, here are a few noteworthy points. Through the use of EPL annotations you can attach information to EPL that can be used by applications to flexibly determine actions. The `insert into`-clause can be used to send results into a further stream and input and output adapters or data flows can exist to process output events from that stream. Also the data flow `EPStatementSource` operator can be used to hook up actions declaratively. The `DeploymentStateListener` can inform your application of newly-deployed statements and currently-undeployed statements.

Your application may attach one or more listeners, zero or one single subscriber and in addition use the pull API on the same statement. There are no limitations to the use of iterator, subscriber or listener alone or in combination to receive statement results.

The best delivery performance can generally be achieved by attaching a subscriber and by not attaching listeners. The runtime is aware of the listeners and subscriber attached to a statement. The runtime uses this information internally to reduce statement overhead. For example, if your statement does not have listeners or a subscriber attached, the runtime does not need to continuously generate results for delivery.

If your application attaches both a subscriber and one or more listeners then the subscriber receives the result first before any of the listeners.

If your application attaches more than one listener then the `UpdateListener` listeners receive results in the order they were added to the statement. To change the order of delivery among listeners your application can add and remove listeners at runtime.

If you have configured outbound threading, it means a thread from the outbound thread pool delivers results to the subscriber and listeners instead of the processing or event-sending thread.

If outbound threading is turned on, we recommend turning off the runtime setting preserving the order of events delivered to listeners as described in [Section 17.6.1.1, “Preserving the Order of Events Delivered to Listeners”](#). If outbound threading is turned on statement execution is not blocked for the configured time in the case a subscriber or listener takes too much time.

16.5.2. Setting a Subscriber Object



Note

The compiler option `allowSubscriber` must be set at compile-time.

A subscriber object is a direct binding of statement results to an object. The object, receives statement results via method invocation. The subscriber class does not need to implement an interface or extend a superclass. Only one subscriber object may be set for a statement.

Subscriber objects have several advantages over listeners. First, they offer a substantial performance benefit: Statement results are delivered directly to your method(s) through Java virtual machine method calls, and there is no intermediate representation (`EventBean`). Second, as subscribers receive strongly-typed parameters, the subscriber code tends to be simpler.

This chapter describes the requirements towards the methods provided by your subscriber class.

The runtime can deliver results to your subscriber in two ways:

1. Each event in the insert stream results in a method invocation, and each event in the remove stream results in further method invocations. This is termed *row-by-row delivery*.
2. A single method invocation that delivers all rows of the insert and remove stream. This is termed *multi-row delivery*.

16.5.2.1. Using the `EPStatement` Parameter

In the case that your subscriber object wishes to receive the `EPStatement` instance along with output data, please add `EPStatement` as the very first parameter of any of the delivery method footprints that are discussed next.

For example, your statement may be:

```
select count(*) from OrderEvent
```

Your subscriber class exposes the method:

```
public void update(EPStatement statement, long currentCount) {...}
```

16.5.2.2. Row-by-Row Delivery

Your subscriber class must provide a method by name `update` to receive insert stream events row-by-row. The number and types of parameters declared by the `update` method must match the number and types of columns as specified in the `select` clause, in the same order as in the `select` clause.

For example, if your statement is:

```
select orderId, price, count(*) from OrderEvent
```


Then your subscriber `update` method looks as follows:

```
public class MySubscriber {
    ...
    public void update(String orderId, double price, long count) {...}
    ...
}
```

Each method parameter declared by the `update` method must be assignable from the respective column type as listed in the `select`-clause, in the order selected. The assignability rules are:

- Widening of types follows Java standards. For example, if your `select` clause selects an integer value, the method parameter for the same column can be typed `int`, `long`, `float` or `double` (or any equivalent boxed type).
- Auto-boxing and unboxing follows Java standards. For example, if your `select` clause selects an `java.lang.Integer` value, the method parameter for the same column can be typed `int`. Note that if your `select` clause column may generate `null` values, an exception may occur at runtime unboxing the `null` value.
- Interfaces and super-classes are honored in the test for assignability. Therefore `java.lang.Object` can be used to accept any `select` clause column type

In the case that your subscriber class offers multiple `update` method footprints, the runtime selects the closest-matching footprint by comparing the output types and method parameter types. The runtime prefers the update method that is an exact match of types, followed by an update method that requires boxing or unboxing, followed by an update method that requires widening and finally any other allowable update method.

Within the above criteria, in the case that your subscriber class offers multiple `update` method footprints with same method parameter types, the runtime prefers the update method that has `EPStatement` as the first parameter.

16.5.2.2.1. Wildcards

If your `select` clause contains one or more wildcards (*), then the equivalent parameter type is the underlying event type of the stream selected from.

For example, your statement may be:

```
select *, count(*) from OrderEvent
```

Then your subscriber `update` method looks as follows:

```
public void update(OrderEvent orderEvent, long count) {...}
```

In a join, the wildcard expands to the underlying event type of each stream in the join in the order the streams occur in the `from` clause. An example statement for a join is:

```
select *, count(*) from OrderEvent order, OrderHistory hist
```

Then your subscriber `update` method should be:

```
public void update(OrderEvent orderEvent, OrderHistory orderHistory, long count)
    {...}
```

The stream wildcard syntax and the stream name itself can also be used:

```
select hist.*, order from OrderEvent order, OrderHistory hist
```

The matching `update` method is:

```
public void update(OrderHistory orderHistory, OrderEvent orderEvent) {...}
```

16.5.2.2.2. Row Delivery as Map and Object Array

Alternatively, your `update` method may simply choose to accept `java.util.Map` as a representation for each row. Each column in the `select` clause is then made an entry in the resulting `Map`. The `Map` keys are the column name if supplied, or the expression string itself for columns without a name.

The `update` method for `Map` delivery is:

```
public void update(Map row) {...}
```

The runtime also supports delivery of `select` clause columns as an object array. Each item in the object array represents a column in the `select` clause. The `update` method then looks as follows:

```
public void update(Object[] row) {...}
```

16.5.2.2.3. Delivery of Remove Stream Events

Your subscriber receives remove stream events if it provides a method named `updateRStream`. The method must accept the same number and types of parameters as the `update` method (including `EPStatement` if present).

An example statement:

```
select orderId, count(*) from OrderEvent#time(20 sec) group by orderId
```

Then your subscriber `update` and `updateRStream` methods should be:

```
public void update(String, long count) {...}
public void updateRStream(String orderId, long count) {...}
```

16.5.2.2.4. Delivery of Begin and End Indications

If your subscriber requires a notification for begin and end of event delivery, it can expose methods by name `updateStart` and `updateEnd`.

The `updateStart` method must take two integer parameters that indicate the number of events of the insert stream and remove stream to be delivered. The runtime invokes the `updateStart` method immediately prior to delivering events to the `update` and `updateRStream` methods.

The `updateEnd` method must take no parameters. The runtime invokes the `updateEnd` method immediately after delivering events to the `update` and `updateRStream` methods.

An example set of delivery methods:

```
// Called by the runtime before delivering events to update methods
public void updateStart(int insertStreamLength, int removeStreamLength)

// To deliver insert stream events
public void update(String orderId, long count) {...}

// To deliver remove stream events
public void updateRStream(String orderId, long count) {...}

// Called by the runtime after delivering events
public void updateEnd() {...}
```

16.5.2.3. Multi-Row Delivery

In place of row-by-row delivery, your subscriber can receive all events in the insert and remove stream via a single method invocation. This is applicable when an EPL delivers multiple output rows for a given input event or time advancing, for example when multiple pattern matches occur for the same incoming event, for a join producing multiple output rows or with output rate limiting, for example.

The event delivery follow the scheme as described earlier in [Section 16.5.2.2.2, “Row Delivery as Map and Object Array”](#). The subscriber class must provide one of the following methods:

Table 16.3. Update Method for Multi-Row Delivery of Underlying Events

Method	Description
<code>update(Object[][] insertStream, Object[][] removeStream)</code>	The first dimension of each Object array is the event row, and the second dimension is the column matching the column order of the statement <code>select</code> clause
<code>update(Map[] insertStream, Map[] removeStream)</code>	Each map represents one event, and Map entries represent columns of the statement <code>select</code> clause

16.5.2.3.1. Wildcards

If your `select` clause contains a single wildcard (*) or wildcard stream selector, the subscriber object may also directly receive arrays of the underlying events. In this case, the subscriber class should provide a method `update(Underlying[] insertStream, Underlying[] removeStream)`, such that *Underlying* represents the class of the underlying event.

For example, your statement may be:

```
select * from OrderEvent#time(30 sec)
```

Your subscriber class exposes the method:

```
public void update(OrderEvent[] insertStream, OrderEvent[] removeStream) {...}
```

16.5.2.4. No-Parameter Update Method

In the case that your subscriber object wishes to receive no data from a statement please follow the instructions here.

Your statement must select a single `null` value.

For example, your statement may be:

```
select null from OrderEvent(price > 100)
```

Your subscriber class exposes the method:

```
public void update() {...}
```

16.5.3. Adding Listeners

For NEsper .NET also see [Section J.15, “.NET API - Adding Listeners”](#).

Your application can subscribe to updates posted by a statement via the `addListener` and `removeListener` methods on `EPStatement`. Your application must to provide an implementation of the `UpdateListener` interface to the statement:

```
UpdateListener myListener = new MyUpdateListener();
countStmt.addListener(myListener);
```

Statements publish old data and new data to registered `UpdateListener` listeners. New data published by statements is the events representing the new values of derived data held by the statement. Old data published by statements consists of the events representing the prior values of derived data held by the statement.



Important

`UpdateListener` listeners receive multiple result rows in one invocation by the runtime: the new data and old data parameters to your listener are array parameters. For example, if your application uses one of the batch data windows, or your application creates a pattern that matches multiple times when a single event arrives, then the runtime indicates such multiple result rows in one invocation and your new data array carries two or more rows.

To indicate results the runtime invokes the following method on `UpdateListener` listeners:

```
update(EventBean[] newEvents, EventBean[] oldEvents, EPStatement statement,
EPRuntime runtime)
```

16.5.3.1. Subscription Snapshot and Atomic Delivery

The `addListenerWithReplay` method provided by `EPStatement` makes it possible to send a snapshot of current statement results to a listener when the listener is added.

When using the `addListenerWithReplay` method to register a listener, the listener receives current statement results as the first call to the `update` method of the listener, passing in

the `newEvents` parameter the current statement results as an array of zero or more events. Subsequent calls to the `update` method of the listener are statement results.

Current statement results are the events returned by the `iterator` or `safeIterator` methods.

Delivery is atomic: Events occurring during delivery of current results to the listener are guaranteed to be delivered in a separate call and not lost. The listener implementation should thus minimize long-running or blocking operations to reduce lock times held on statement-level resources.

16.5.4. Using Iterators

Subscribing to events posted by a statement is following a push model. The runtime pushes data to listeners when events are received that cause data to change or patterns to match. Alternatively, you need to know that statements serve up data that your application can obtain via the `safeIterator` and `iterator` methods on `EPStatement`. This is called the pull API and can come in handy if your application is not interested in all new updates, and only needs to perform a frequent or infrequent poll for the latest data.

The `safeIterator` method on `EPStatement` returns a concurrency-safe iterator returning current statement results, even while concurrent threads may send events into the runtime for processing. The runtime employs a read-write lock per context partition and obtains a read lock for iteration. Thus safe iterator guarantees correct results even as events are being processed by other threads and other context partitions. The cost is that the iterator obtains and holds zero, one or multiple context partition locks for that statement that must be released via the `close` method on the `SafeIterator` instance.

The `iterator` method on `EPStatement` returns a concurrency-unsafe iterator. This iterator is only useful for applications that are single-threaded, or applications that themselves perform coordination between the iterating thread and the threads that send events into the runtime for processing. The advantage to this iterator is that it does not hold a lock.

When statements are used with contexts and context partitions, the APIs to identify, filter and select context partitions for statement iteration are described in [Section 16.16, "Context Partition Selection"](#).

The next code snippet shows a short example of use of safe iterators:

```
EPStatement statement = epAdmin.createEPL("select avg(price) as avgPrice from
MyTick");
// .. send events into the runtime
// then use the pull API...
SafeIterator<EventBean> safeIter = statement.safeIterator();
try {
    for (;safeIter.hasNext();) {
        // .. process event ..
        EventBean event = safeIter.next();
        System.out.println("avg:" + event.get("avgPrice"));
    }
}
```

```

    }
  }
  finally {
    safeIter.close(); // Note: safe iterators must be closed
  }
}

```

This is a short example of use of the regular iterator that is not safe for concurrent event processing:

```
double averagePrice = (Double) eplStatement.iterator().next().get("average");
```

The `safeIterator` and `iterator` methods can be used to pull results out of all statements, including statements that join streams, contain aggregation functions, pattern statements, and statements that contain a `where` clause, `group by` clause, `having` clause or `order by` clause.

For statements without an `order by` clause, the `iterator` method returns events in the order maintained by the data window. For statements that contain an `order by` clause, the `iterator` method returns events in the order indicated by the `order by` clause.

Consider using the `on-select` clause and a named window if your application requires iterating over a partial result set or requires indexed access for fast iteration; Note that `on-select` requires that you sent a trigger event, which may contain the key values for indexed access.

Esper places the following restrictions on the pull API and usage of the `safeIterator` and `iterator` methods:

1. In multithreaded applications, use the `safeIterator` method. Note: make sure your application closes the iterator via the `close` method when done, otherwise the iterated statement context partitions stay locked and event processing for statement context partitions does not resume.
2. In multithreaded applications, the `iterator` method does not hold any locks. The iterator returned by this method does not make any guarantees towards correctness of results and fail-behavior, if your application processes events into the runtime by multiple threads. Use the `safeIterator` method for concurrency-safe iteration instead.
3. Since the `safeIterator` and `iterator` methods return events to the application immediately, the iterator does not honor an output rate limiting clause, if present. That is, the iterator returns results as if there is no output-rate clause for the statement in statements without grouping or aggregation. For statements with grouping or aggregation, the iterator in combination with an output clause returns last output group and aggregation results. Use a separate statement and the `insert into` clause to control the output rate for iteration, if so required.
4. When iterating a statement that operates on an unbound stream (no data window declared), please note the following:
 - When iterating a statement that groups and aggregates values from an unbound stream and that specifies `output snapshot`, the runtime retains groups and aggregations for output as iteration results or upon the output snapshot condition .

- When iterating a statement that groups and aggregates values from an unbound stream and that does not specify `output snapshot`, the runtime only retains the last aggregation values and the iterated result contains only the last updated group.
- When iterating a statement that operates on an unbound stream the iterator returns no rows. This behavior can be changed by specifying either the `@IterableUnbound` annotation or by changing the global view resources configuration.

16.5.5. Event and Event Type

An `EventBean` object represents a row (event) in your statement's result set. Each `EventBean` object has an associated `EventType` object providing event metadata.

An `UpdateListener` implementation receives one or more `EventBean` events with each invocation. Via the `iterator` method on `EPStatement` your application can poll or read data out of statements. Statement iterators also return `EventBean` instances.

Each statement provides the event type of the events it produces, available via the `getEventType` method on `EPStatement`.

16.5.5.1. Event Type Metadata

An `EventType` object encapsulates all the metadata about a certain type of events. As Esper supports an inheritance hierarchy for event types, it also provides information about super-types to an event type.

An `EventType` object provides the following information:

- For each event property, it lists the property name and type as well as flags for indexed or mapped properties and whether a property is a fragment.
- The direct and indirect super-types to the event type.
- Value getters for property expressions.
- Underlying class of the event representation.

For each property of an event type, there is an `EventPropertyDescriptor` object that describes the property. The `EventPropertyDescriptor` contains flags that indicate whether a property is an indexed (array) or a mapped property and whether access to property values require an integer index value (indexed properties only) or string key value (mapped properties only). The descriptor also contains a fragment flag that indicates whether a property value is available as a fragment.

The term *fragment* means an event property value that is itself an event, or a property value that can be represented as an event. The `getFragmentType` on `EventType` may be used to determine a fragment's event type in advance.

A fragment event type and thereby fragment events allow navigation over a statement's results even if the statement result contains nested events or a graph of events. There is no need to use the Java reflection API to navigate events, since fragments allow the querying of nested event properties or array values, including nested Java classes.

When using the Map or Object-array event representation, any named Map type or Object-array type nested within a Map or Object-array as a simple or array property is also available as a fragment. When using Java objects either directly or within Map or Object-array events, any object that is neither a primitive or boxed built-in type, and that is not an enumeration and does not implement the Map interface is also available as a fragment.

The nested, indexed and mapped property syntax can be combined to a property expression that may query an event property graph. Most of the methods on the `EventType` interface allow a property expression to be passed.

Your application may use an `EventType` object to obtain special getter-objects. A getter-object is a fast accessor to a property value of an event of a given type. All getter objects implement the `EventPropertyGetter` interface. Getter-objects work only for events of the same type or sub-types as the `EventType` that provides the `EventPropertyGetter`. The performance section provides additional information and samples on using getter-objects.

16.5.5.2. Event Object

An event object is an `EventBean` that provides:

- The property value for a property given a property name or property expression that may include nested, indexed or mapped properties in any combination.
- The event type of the event.
- Access to the underlying event object.
- The `EventBean` fragment or array of `EventBean` fragments given a property name or property expression.

The `getFragment` method on `EventBean` and `EventPropertyGetter` return the fragment `EventBean` or array of `EventBean`, if the property is itself an event or can be represented as an event. Your application may use `EventPropertyDescriptor` to determine which properties are also available as fragments.

The underlying event object of an `EventBean` can be obtained via the `getUnderlying` method. Please see [Chapter 3, Event Representations](#) for more information on different event representations.

From a threading perspective, it is safe to retain and query `EventBean` and `EventType` objects in multiple threads.

16.5.5.3. Query Example

Consider a statement that returns the symbol, count of events per symbol and average price per symbol for tick events. Our sample statement uses the event type: `StockTickEvent`. Assume that this event type was declared previously and exposes a `symbol` property of type `String` and a `price` property of type (Java primitive) `double`.

```
select symbol, avg(price) as avgprice, count(*) as mycount
from StockTickEvent
group by symbol
```

The next table summarizes the property names and types as posted by the statement above:

Table 16.4. Properties Offered by Sample Statement Aggregating Price

Name	Type	Description	Java code snippet
symbol	java.lang.String	Value of symbol event property	<code>eventBean.get("symbol")</code>
avgprice	java.lang.Double	Average price per symbol	<code>eventBean.get("avgprice")</code>
mycount	java.lang.Long	Number of events per symbol	<code>eventBean.get("mycount")</code>

A code snippet out of a possible `UpdateListener` implementation to this statement may look as below:

```
String symbol = (String) newEvents[0].get("symbol");
Double price= (Double) newEvents[0].get("avgprice");
Long count= (Long) newEvents[0].get("mycount");
```

The runtime supplies the boxed `java.lang.Double` and `java.lang.Long` types as property values rather than primitive Java types. This is because aggregated values can return a `null` value to indicate that no data is available for aggregation. Also, in a `select` statement that computes expressions, the underlying event objects to `EventBean` instances are either of type `Object[]` (object-array) or of type `java.util.Map`.

Use `statement.getEventType().getUnderlyingType()` to inspect the underlying type for all events delivered to listeners. Whether the runtime delivers `Map` or `Object-array` events to listeners can be specified as follows. If the statement provides the `@EventRepresentation(objectarray)` annotation the runtime delivers the output events as object array. If the statement provides the `@EventRepresentation(map)` annotation the runtime delivers output events as a `Map`. If neither annotation is provided, the runtime delivers the configured default event representation as discussed in [Section 17.4.9.1, "Default Event Representation"](#).

Consider the next statement that specifies a wildcard selecting the same type of event:

```
select * from StockTickEvent where price > 100
```

The property names and types provided by an `EventBean` query result row, as posted by the statement above are as follows:

Table 16.5. Properties Offered by Sample Wildcard-Select Statement

Name	Type	Description	Java code snippet
symbol	java.lang.String	Value of symbol event property	<code>eventBean.get("symbol")</code>
price	double	Value of price event property	<code>eventBean.get("price")</code>

As an alternative to querying individual event properties via the `get` methods, the `getUnderlying` method on `EventBean` returns the underlying object representing the statement result. In the sample statement that features a wildcard-select, the underlying event object is of type `org.sample.StockTickEvent`:

```
StockTickEvent tick = (StockTickEvent) newEvents[0].getUnderlying();
```

16.5.5.4. Pattern Example

Composite events are events that aggregate one or more other events. Composite events are typically created by the runtime for statements that join two event streams, and for event patterns in which the causal events are retained and reported in a composite event. The example below shows such an event pattern.

```
// Look for a pattern where BEvent follows AEvent
select * from pattern [a=AEvent -> b=BEvent]
```

```
// Example listener code
public class MyUpdateListener implements UpdateListener {
    public void update(EventBean[] newData, EventBean[] oldData, EPStatement
statement, EPRuntime runtime) {
        System.out.println("a event=" + newData[0].get("a"));
        System.out.println("b event=" + newData[0].get("b"));
    }
}
```

Note that the `update` method can receive multiple events at once as it accepts an array of `EventBean` instances. For example, a time batch window may post multiple events to listeners representing a batch of events received during a given time period.

Pattern statements can also produce multiple events delivered to update listeners in one invocation. The pattern statement below, for instance, delivers an event for each A event that was not followed by a B event with the same `id` property within 60 seconds of the A event. The runtime

may deliver all matching A events as an array of events in a single invocation of the `update` method of each listener to the statement:

```
select * from pattern[every a=A -> (timer:interval(60 sec) and not B(id=a.id))]
```

A code snippet out of a possible `UpdateListener` implementation to this statement that retrieves the events as fragments may look as below:

```
EventBean a = (EventBean) newEvents[0].getFragment("a");  
// ... or using a nested property expression to get a value out of A event...  
double value = (Double) newEvent[0].get("a.value");
```

Some pattern objects return an array of events. An example is the unbound repeat operator. Here is a sample pattern that collects all A events until a B event arrives:

```
select * from pattern [a=A until b=B]
```

A possible code to retrieve different fragments or property values:

```
EventBean[] a = (EventBean[]) newEvents[0].getFragment("a");  
// ... or using a nested property expression to get a value out of A event...  
double value = (Double) newEvent[0].get("a[0].value");
```

16.5.6. Type Information

The Esper compiler and runtime use the `EPTYPE` interface for tracking all Java (or C# for .NET) type information. The `EPTYPE` interface can be found in package `com.espertech.esper.common.client.type`.

EPL uses three-valued logic and thus `null` is a viable type. More information can be found at [Section 2.19, "Basic Null"](#). The null-type is represented by `EPTYPENull`.

EPL supports un-parameterized types and a type that is not parameterized is represented by `EPTYPEClass`.

EPL also supports parameterized types and a type that is parameterized is represented by `EPTYPEClassParameterized`. Since an instance of `java.lang.Class` does not provide information about actual type parameters (aka. type erasure) and since there is no null-type class the compiler and runtime use `EPTYPE` instead of `java.lang.Class`.

To obtain the event property type use the `getPropertyEPTYPE` method of `EventType` or `EventPropertyDescriptor`. Please consult the JavaDoc for additional information.

16.5.7. Interrogating Annotations

As discussed in [Section 5.2.7, “Annotation”](#) an EPL annotation is an addition made to statement information. The API and examples to interrogate annotations are described here.

You may use the `getAnnotations` method of `EPStatement` to obtain annotations specified for a statement. Or when compiling an EPL expression to a `EPStatementObjectModel` statement object model you may also query, change or add annotations.

The following example code demonstrates iterating over an `EPStatement` statement's annotations and retrieving values:

```
String exampleEPL = "@Tag(name='direct-output', value='sink 1') select * from
RootEvent";
Configuration configuration = new Configuration();
configuration.getCommon().addEventType("RootEvent", Collections.emptyMap()); //
add an event type without properties
CompilerArguments compilerArguments = new CompilerArguments(configuration);
EPCompiled compiled = EPCompilerProvider.getCompiler().compile(stmt,
compilerArguments);

EPDeployment deployment = runtime.getDeploymentService().deploy(compiled);
EPStatement stmt = deployment.getStatements()[0];
for (Annotation annotation : stmt.getAnnotations()) {
    if (annotation instanceof Tag) {
        Tag tag = (Tag) annotation;
        System.out.println("Tag name " + tag.name() + " value " + tag.value());
    }
}
```

The output of the sample code shown above is `Tag name direct-output value sink 1.`

16.6. Processing Events and Time Using `EPEventService`

The `EPEventService` interface is used to send events and advance time. Obtain the event service from a runtime by calling `getEventService` on `EPRuntime`.

This section focuses on processing events. For more information on controlling time using the event service please skip forward to [Section 16.9, “Controlling Time-Keeping”](#).

Your application invokes any of the `sendEventType` methods listed below and must provide an event type name along with the actual event object:

Table 16.6. Send-Event Methods

Method	Description
<code>sendEventBean(Object event, String eventName)</code>	Call when the event is a Bean-style event. The event type name should be associated to a class event representation.
<code>sendEventMap(Map<String, Object> event, String eventName)</code>	Call when the event is a map. The event type name should be associated to a map event representation.
<code>sendEventObjectArray(Object[] event, String eventName);</code>	Call when the event is an object-array. The event type name should be associated to an object-array event representation.
<code>sendEventXMLDOM(Node node, String eventName);</code>	Call when the event is a DOM-Node. The event type name should be associated to an XML event representation.
<code>void sendEventJson(String json, String jsonEventTypeName);</code>	Call when the event is an JSON-formatted string-type document. The event type name should be associated to a JSON event representation.
<code>void sendEventAvro(Object event, String avroEventTypeName);</code>	Call when the event is an Avro object. The event type name should be associated to an Avro event representation.

The [Chapter 3, Event Representations](#) section explains the types of event representations.

The below sample code assumes that the event type name `MarketDataBean` refers to a class event representation that matches the class `MarketDataBean`:

```
EPRuntime runtime = EPRuntimeProvider.getDefaultRuntime();
EPEventService eventService = runtime.getEventService();

// Send an example event containing stock market data
eventService.sendEventBean(new MarketDataBean("IBM", 75.0), "MarketDataBean");
```



Tip

Events, in theoretical terms, are observations of a state change that occurred in the past. Since you cannot change an event that happened in the past, events are best modelled as immutable objects.

If you find that your application requires processing events and control over time only for specific deployments and not for other deployments, please read up on [Section 16.21, “Stages”](#).



Caution

The runtime relies on events that are sent into the runtime to not change their state. Typically, applications create a new event object for every new event, to represent that new event. Application should not modify an existing event that was sent into the runtime.



Important

Another important method in the runtime interface are the `routeEventType` methods. These methods are designed for use by `UpdateListener` and subscriber implementations as well as runtime extensions that need to send events into a runtime to avoid the possibility of a stack overflow due to nested calls to `sendEvent` and to ensure correct processing of the current and routed event. Note that if outbound-threading is enabled, listeners and subscribers should use `sendEvent` and not `routeEvent`.

16.6.1. Event Sender

The `EventSender` interface processes event objects that are of a known type. This facility can reduce the overhead of event object reflection and type lookup as an event sender is always associated to a single concrete event type.

Use the method `getEventSender(String eventTypeName)` to obtain an event sender for processing events of the named type:

```
EventSender sender = runtime.getEventService().getEventSender("MyEvent");
sender.sendEvent(myEvent);
```

For events backed by a Java class (JavaBean events), the event sender ensures that the event object equals the underlying class, or implements or extends the underlying class for the given event type name.

For events backed by a `java.util.Map` (Map events), the event sender does not perform any checking other than checking that the event object implements `Map`.

For events backed by a `Object[]` (Object-array events), the event sender does not perform any checking other than checking that the event object implements `Object[]`. The array elements must be in the exact same order of properties as declared and array length must always be at least the number of properties declared.

For JSON events, the event sender checks that the event object is a string-type value or is an `JsonEventUnderlying` object returned by the `parse` method of `EventSenderJson`. The JSON document should match the fields defined in `create schema`.

For Avro events backed by a Apache Avro `GenericData.Record`, the event sender does not perform any checking other than checking that the event object is a `GenericData.Record`. The schema associated to the record should match the event type's Avro schema.

For events backed by a `org.w3c.Node` (XML DOM events), the event sender checks that the root element name equals the root element name for the event type.

16.6.2. Receiving Unmatched Events

Your application can register an implementation of the `UnmatchedListener` interface with the event service by calling the `setUnmatchedListener` method to receive events that were not matched by any statement.

Events that can be unmatched are all events that your application sends into the runtime via one of the `sendEvent` or `routeEvent` methods, or that have been generated via an `insert into` clause.

For an event to become unmatched by any statement, the event must not match any statement's event stream filter criteria. Note that the EPL `where` clause or `having` clause are not considered part of the filter criteria for a stream, as explained by example below.

In the following statement a `MyEvent` event with a 'quantity' property value of 5 or less does not match this statement's event stream filter criteria. The runtime delivers such an event to the registered `UnmatchedListener` instance provided no other statement matches on the event:

```
select * from MyEvent(quantity > 5)
```

For patterns, if no pattern sub-expression is active for an event type, an event of that type also counts as unmatched in regards to the pattern statement.

16.7. Execute Fire-and-Forget Queries Using

`EPFireAndForgetService`

The `EPFireAndForgetService` interface offers methods to execute fire-and-forget queries. Obtain the fire-and-forget service from a runtime by calling `getFireAndForgetService` on `EPRuntime`.

As your application may not require streaming results and may not know each statement in advance, the fire-and-forget query facility provides for ad-hoc on-demand execution of an EPL query.

Fire-and-forget queries are not continuous in nature: The fire-and-forget query runtime executes the query once and returns all result rows to the application. Fire-and-forget query execution is very lightweight as the runtime performs no statement deployment and the query leaves no traces within the runtime.

Esper provides the facility to explicitly index named windows and tables to speed up fire-and-forget queries and statements. Please consult [Section 6.9, “Explicitly Indexing Named Windows and Tables”](#) for more information.

When named windows and tables are used with contexts and context partitions, the APIs to identify, filter and select context partitions for fire-and-forget queries can be found in [Section 16.16, “Context Partition Selection”](#).

There are three ways to run fire-and-forget queries:

1. Use the `executeQuery` method to executes a given fire-and-forget query exactly once, see [Section 16.7.1, “Fire-and-forget Query Single Execution”](#).
2. Use the `prepareQuery` method to prepare a given fire-and-forget query such that the same query can be executed multiple times, see [Section 16.7.2, “Fire-and-forget Query Prepared Unparameterized Execution”](#).
3. Use the `prepareQueryWithParameters` method to prepare a given fire-and-forget query that may have substitution parameters such that the same query can be parameterized and executed multiple times without repeated parsing, see [Section 16.7.3, “Fire-and-forget Query Prepared Parameterized Execution”](#)

If your application must execute the same fire-and-forget query multiple times with different parameters use `prepareQueryWithParameters`.

If your application must execute the same fire-and-forget query multiple times without parameters use either `prepareQuery` or `prepareQueryWithParameters` and specify no substitution parameters.

By using any of the `prepare...` methods the runtime can load the byte code for the query once and reuse the byte code and thereby speed up repeated execution.

The following limitations apply:

- A fire-and-forget only evaluates against the named windows and tables that your application creates. Fire-and-forget queries may not specify any other streams or application event types.
- The following clauses are not allowed in fire-and-forget EPL queries: `insert into` and `output`.
- Data windows and patterns are not allowed to appear in fire-and-forget queries.
- Fire-and-forget EPL may not perform subqueries.

- The `previous` and `prior` functions may not be used.

16.7.1. Fire-and-forget Query Single Execution

Use the `executeQuery` method for executing a fire-and-forget query once. For repeated execution, please consider any of the `prepare...` methods instead.

The next program listing runs a fire-and-forget query against a named window `MyNamedWindow` and prints a column of each row result of the query (this sample uses the compiler runtime-path):

```
String query = "select * from MyNamedWindow";
CompilerArguments compilerArguments = new CompilerArguments();
compilerArguments.getPath().add(runtime.getRuntimePath());
EPCompiled compiled = EPCompilerProvider.getCompiler().compileQuery(query,
    compilerArguments);

EPFireAndForgetQueryResult result =
    runtime.getFireAndForgetService().executeQuery(compiled);
for (EventBean row : result.getArray()) {
    System.out.println("name=" + row.get("name"));
}
```

For executing a fire-and-forget against a table please put the table name into the `from`-clause instead.

16.7.2. Fire-and-forget Query Prepared Unparameterized Execution

Prepared fire-and-forget queries are designed for repeated execution and may perform better than the dynamic single-execution method if running the same query multiple times. For use with parameter placeholders please see [Section 16.7.3, “Fire-and-forget Query Prepared Parameterized Execution”](#).

The next code snippet demonstrates prepared fire-and-forget queries without parameter placeholder:

```
String query = "select * from MyNamedWindow where orderId = '123'";
CompilerArguments compilerArguments = new CompilerArguments();
compilerArguments.getPath().add(runtime.getRuntimePath());
EPCompiled compiled = EPCompilerProvider.getCompiler().compileQuery(query,
    compilerArguments);

EPFireAndForgetPreparedQuery prepared =
    runtime.getFireAndForgetService().prepareQuery(compiled);
EPFireAndForgetQueryResult result = prepared.execute();
```

```
// ...later on execute once more ...
prepared.execute(); // execute a second time
```

16.7.3. Fire-and-forget Query Prepared Parameterized Execution

Please see the compiler documentation for specifying substitution parameters.

All substitution parameters must be replaced by actual values before a fire-and-forget query with substitution parameters can be executed. Substitution parameters can be replaced with an actual value using the `setObject` method for each index or name. Substitution parameters can be set to new values and the query executed more than once.

While the `setObject` method allows substitution parameters to assume any actual value including application Java objects or enumeration values, the application must provide the correct type of substitution parameter that matches the type that was specified, if any, and the requirements of the expression the parameter resides in.

The next program listing runs a prepared and parameterized fire-and-forget query against a named window `MyNamedWindow` (this example does not assign names to substitution parameters):

```
String query = "select * from MyNamedWindow where orderId = ?::string";
CompilerArguments compilerArguments = new CompilerArguments();
compilerArguments.getPath().add(runtime.getRuntimePath());
EPCompiled compiled = EPCompilerProvider.getCompiler().compileQuery(query,
    compilerArguments);

EPFireAndForgetPreparedQueryParameterized prepared =
    runtime.getFireAndForgetService().prepareQueryWithParameters(query);

// Set the required parameter values before each execution
prepared.setObject(1, "123");
EPFireAndForgetQueryResult result =
    runtime.getFireAndForgetService().executeQuery(prepared);

// ...execute a second time with new parameter values...
prepared.setObject(1, "456");
result = runtime.getFireAndForgetService().executeQuery(prepared);
```

This second example uses the `in` operator and has multiple parameters:

```
String query = "select * from MyNamedWindow where orderId in (?::string[]) and
    price > ?::double";
CompilerArguments compilerArguments = new CompilerArguments();
compilerArguments.getPath().add(runtime.getRuntimePath());
```

```
EPCompiled compiled = EPCompilerProvider.getCompiler().compileQuery(query,
    compilerArguments);

EPFireAndForgetPreparedQueryParameterized prepared =
    runtime.getFireAndForgetService().prepareQueryWithParameters(compiled);
prepared.setObject(1, new String[] {"123", "456"});
prepared.setObject(2, 1000.0);
```

16.7.4. The *From*-Clause is Optional

The `from`-clause in EPL is optional and is only required for subqueries. You may execute fire-and-forget queries without a `from`-clause. For example:

```
select 1 as value
```

You may use fire-and-forget queries to obtain information about the current context partitions. More information can be found at [Section 4.5, “Output When a Context Partition Starts \(Non-Overlapping Context\) or Initiates \(Overlapping Context\)”](#). For example:

```
context CtxPerOrder select context.orderEvent as orderEvent
```

16.8. Runtime Threading and Concurrency

For NEsper .NET also see [Section J.16, “.NET API - Runtime Threading and Concurrency”](#).

The runtime is designed from the ground up to operate as a component to multi-threaded, highly-concurrent applications that require efficient use of Java VM resources. In addition, multi-threaded execution requires guarantees in predictability of results and deterministic processing. This section discusses these concerns in detail.

In Esper, a runtime instance is a unit of separation. Applications can obtain and discard (initialize) one or more runtime instances within the same Java VM and can provide the same or different configurations to each instance. A runtime instance shares resources between statements by means of named windows, tables and variables.

Applications can use Esper APIs to concurrently, by multiple threads of execution, perform such functions as deploying modules, or sending events into the runtime for processing. Applications can use application-managed threads or thread pools or any set of same or different threads of execution with any of the public runtime APIs. There are no restrictions towards threading other than those noted in specific sections of this document.

The runtime does not prescribe a specific threading model. Applications using Esper retain full control over threading, allowing a runtime to be easily embedded and used as a component or library in your favorite Java container or process.

In the default configuration it is up to the application code to use multiple threads for processing events by the runtime, if so desired. All event processing takes place within your application thread call stack. The exception is timer-based processing if your runtime relies on the internal timer (default). If your application relies on external timer events instead of the internal timer then there need not be any runtime-managed internal threads.

The fact that event processing can take place within your application thread's call stack makes developing applications with the Esper runtime easier: Any common Java integrated development environment (IDE) can host a compiler and runtime instance. This allows developers to easily set up test cases, debug through listener code and inspect input or output events, or trace their call stack.

In the default configuration, each runtime maintains a single timer thread (internal timer) providing for time or schedule-based processing within the runtime. The default resolution at which the internal timer operates is 100 milliseconds. The internal timer thread can be disabled and applications can instead advance time to perform timer or scheduled processing at the resolution required by an application.

A runtime performs minimal locking to enable high levels of concurrency. A runtime locks on the combination of query and context partition to protect context partition resources. For example, two statements with three partitions each have a total of six locks. For stateless EPL select-statements the runtime does not use a context-partition lock and operates lock-free for the context partition. For stateful statements, the maximum (theoretical) degree of parallelism is $2^{31}-1$ (2,147,483,647) parallel threads working to process a single statement under a hash segmented context.

For named windows and tables, `on-select`, `on-merge`, `on-update` and `on-delete` all execute under the same lock as the partition of the named window or table. Any `insert into` produces a new event for the work queue and does not lock the target of the insert-into.

You may turn off context partition locking runtime-wide (also read the caution notice) as described in [Section 17.6.10.3, "Disable Locking"](#). You may disable context partition locking for a given statement by providing the `@NoLock` annotation as part of your EPL. Note, Esper provides the `@NoLock` annotation for the purpose of identifying locking overhead, or when your application is single-threaded, or when using an external mechanism for concurrency control or for example with virtual data windows or plug-in data windows to allow customizing concurrency for a given statement or named window. Using this annotation may have unpredictable results unless your application is taking concurrency under consideration.

For a runtime to produce predictable results from the viewpoint of listeners to statements, a runtime by default ensures that it dispatches statement result events to listeners in the order in which a statement produced result events. Applications that require the highest possible concurrency and do not require predictable order of delivery of events to listeners, this feature can be turned off via configuration, see [Section 17.6.1.1, "Preserving the Order of Events Delivered to Listeners"](#). For example, assume thread T1 processes an event applied to statement S producing output event O1. Assume thread T2 processes another event applied to statement S and produces output event O2. The runtime employs a configurable latch system to ensure that listeners to statement S receive and may complete processing of O1 before receiving O2. When using

outbound threading (advanced threading options) or changing the configuration this guarantee is weakened or removed.

In multithreaded environments, when one or more statements make result events available via the `insert into` clause to further statements, the runtime preserves the order of events inserted into the generated insert-into stream, allowing statements that consume other statement's events to behave deterministic. This feature can also be turned off via configuration, see [Section 17.6.1.2, “Preserving the Order of Events for Insert-Into Streams”](#). For example, assume thread T1 processes an event applied to statement S and thread T2 processes another event applied to statement S. Assume statement S inserts into stream ST. T1 produces an output event O1 for processing by consumers of ST1 and T2 produces an output event O2 for processing by consumers of ST. The runtime employs a configurable latch system such that O1 is processed before O2 by consumers of ST. When using route execution threading (advanced threading options) or changing the configuration this guarantee is weakened or removed.

We generally recommended that listener implementations block minimally or do not block at all. By implementing listener code as non-blocking code execution threads can often achieve higher levels of concurrency.

We recommended that, when using a single listener or subscriber instance to receive output from multiple statements, that the listener or subscriber code is multithread-safe. If your application has shared state between listener or subscriber instances then such shared state should be thread-safe.

16.8.1. Advanced Threading

In the default configuration the same application thread that invokes any of the `sendEvent` methods will process the event fully and also deliver output events to listeners and subscribers. By default the single internal timer thread based on system time performs time-based processing and delivery of time-based results.

This default configuration reduces the processing overhead associated with thread context switching, is lightweight and fast and works well in many environments such as J2EE, server or client. Latency and throughput requirements are largely use case dependent, and Esper provides runtime-level facilities for controlling concurrency that are described next.

Inbound Threading queues all incoming events: A pool of runtime-managed threads performs the event processing. The application thread that sends an event via any of the `sendEvent` methods returns without blocking.

Outbound Threading queues events for delivery to listeners and subscribers, such that slow or blocking listeners or subscribers do not block event processing.

Timer Execution Threading means time-based event processing is performed by a pool of runtime-managed threads. With this option the internal timer thread (or external timer event) serves only as a metronome, providing units-of-work to the runtime-managed threads in the timer execution pool, pushing threading to the level of each statement for time-based execution.

Route Execution Threading means that the thread sending in an event via any of the `sendEvent` methods (or the inbound threading pooled thread if inbound threading is enabled) only identifies and pre-processes an event, and a pool of runtime-managed threads handles the actual processing of the event for each statement, pushing threading to the level of each statement for event-arrival-based execution.

The runtime starts runtime-managed threads as daemon threads when the runtime instance is first obtained. The runtime stops runtime-managed threads when the runtime instance is destroyed via the `destroy` method. When the runtime is initialized via the `initialize` method the existing runtime-managed threads are stopped and new threads are created. When shutting down your application, use the `destroy` method to stop runtime-managed threads.

Note that the options discussed herein may introduce additional processing overhead into your system, as each option involves work queue management and thread context switching.



Note

If your use cases require ordered processing of events or do not tolerate disorder, the threading options described herein are not the right choice.

For enforcing a processing order within a given criteria, your application must enforce such processing order. Esper does not enforce order of processing if you enable inbound or route threading. Your application code could, for example, utilize a thread per group of criteria keys, a latch per criteria key, or a queue per criteria key, or use Java's completion service, all depending on your ordering requirements.

If your use cases require loss-less processing of events, wherein the threading options mean that events are held in an in-memory queue, the threading options described herein may not be the right choice.

Care should be taken to consider arrival rates and queue depth. Threading options utilize unbound queues or capacity-bound queues with blocking-put, depending on your configuration, and may therefore introduce an overload or blocking situation to your application. You may use the service provider interface as outlined below to manage queue sizes, if required, and to help tune the runtime to your application needs. Consider throttling down the event send rate when the API (see below) indicates that events are getting queued.

All threading options are on the level of a runtime. If you require different threading behavior for certain statements then consider using multiple runtimes, consider using the `routeEvent` method or consider using application threads instead.

Please consult [Section 17.6.1, “Runtime Settings Related to Concurrency and Threading”](#) for instructions on how to configure threading options. Threading options take effect at runtime initialization time.

16.8.1.1. Inbound Threading

With inbound threading a runtime places inbound events in a queue for processing by one or more runtime-managed threads other than the delivering application threads.

The delivering application thread uses one of the `sendEventType` methods on `EPEventService` to deliver events or may also use the `sendEvent` method on a `EventSender`. The runtime receives the event and places the event into a queue, allowing the delivering thread to continue and not block while the event is being processed and results are delivered.

Events that are sent into the runtime via one of the `routeEvent` methods are not placed into queue but processed by the same thread invoking the `routeEvent` operation.

16.8.1.2. Outbound Threading

With outbound threading a runtime places outbound events in a queue for delivery by one or more runtime-managed threads other than the processing thread originating the result.

With outbound threading your listener or subscriber class receives statement results from one of the runtime-managed threads in the outbound pool of threads. This is useful when you expect your listener or subscriber code to perform significantly blocking operations and you do not want to hold up event processing.



Note

If outbound-threading is enabled, listeners and subscribers that send events back into the runtime should use the `sendEvent` method and not the `routeEvent` method.

16.8.1.3. Timer Execution Threading

With timer execution threading an runtime places time-based work units into a queue for processing by one or more runtime-managed threads other than the internal timer thread or the application thread that sends an external timer event.

Using timer execution threading the internal timer thread (or thread delivering an external timer event) serves to evaluate which time-based work units must be processed. A pool of runtime-managed threads performs the actual processing of time-based work units and thereby offloads the work from the internal timer thread (or thread delivering an external timer event).

Enable this option as a tuning parameter when your statements utilize time-based patterns or data windows. Timer execution threading is fine grained and works on the level of a time-based schedule in combination with a statement.

16.8.1.4. Route Execution Threading

With route execution threading an runtime identifies event-processing work units based on the event and statement combination. It places such work units into a queue for processing by one or more runtime-managed threads other than the thread that originated the event.

While inbound threading works on the level of an event, route execution threading is fine grained and works on the level of an event in combination with a statement.

16.8.1.5. Threading Service Provider Interface

The service-provider interface `EPRuntimeSPI` is an extension API that allows to manage runtime-level queues and thread pools (Extension APIs are subject to change between release versions).

The following code snippet shows how to obtain the `BlockingQueue<Runnable>` and the `ThreadPoolExecutor` for the managing the queue and thread pool responsible for inbound threading:

```
EPRuntimeSPI spi = (EPRuntimeSPI) runtime;
int queueSize = spi.getThreadingService().getInboundQueue().size();
ThreadPoolExecutor threadpool =
    spi.getThreadingService().getInboundThreadPool();
```

16.8.2. Processing Order

16.8.2.1. Competing Statements

This section discusses the order in which N competing statements that all react to the same arriving event execute.

The runtime, by default, does not guarantee to execute competing statements in any particular order unless using `@Priority`. We therefore recommend that an application does not rely on the order of execution of statements by the runtime, since that best shields the behavior of an application from changes in the order that statements may get created by your application or by threading configurations that your application may change at will.

If your application requires a defined order of execution of competing statements, use the `@Priority` EPL syntax to make the order of execution between statements well-defined (requires that you set the prioritized-execution configuration setting). And the `@Drop` can make a statement preempt all other lowered priority ones that then won't get executed for any matching events.

16.8.2.2. Competing Events in a Work Queue

This section discusses the order of event evaluation when multiple events must be processed, for example when multiple statements use insert-into to generate further events upon arrival of an event.

The runtime processes an arriving event completely before indicating output events to listeners and subscribers, and before considering output events generated by insert-into or routed events inserted by listeners or subscribers.

For example, assume three statements (1) `select * from MyEvent` and (2) `insert into ABCStream select * from MyEvent`. (3) `select * from ABCStream`. When a `MyEvent` event arrives then the listeners to statements (1) and (2) execute first (default threading model). Listeners to statement (3) which receive the inserted-into stream events are always executed after delivery of the triggering event.

Among all events generated by insert-into of statements and the events routed into the runtime via the `routeEvent` method, all events that insert-into a named window are processed first in the order generated. All other events are processed thereafter in the order they were generated.

When enabling timer or route execution threading as explained under advanced threading options then the runtime does not make any guarantee to the processing order except that it will prioritize events inserted into a named window.

16.9. Controlling Time-Keeping

There are two modes for a runtime to keep track of time: The internal timer based on JVM system time (the default), and externally-controlled (aka. event time) time giving your application full control over the concept of time within a runtime.

By default the internal timer provides time and evaluates schedules. External clocking i.e. event time can be used to supply time ticks to the runtime instead. The latter is useful for when events themselves provide the time to advance. External clocking also helps in testing time-based event sequences or for synchronizing the runtime with an external time source.

The internal timer relies on the `java.util.concurrent.ScheduledThreadPoolExecutor` class for time tick events. The next section describes timer resolution for the internal timer, by default set to 100 milliseconds but is configurable via the threading options. When using externally-controlled time the timer resolution is in your control.

To disable the internal timer and use externally-provided time instead, there are two options. The first option is to use the configuration API at runtime initialization time. The second option toggles on and off the internal timer at runtime, via special timer control events that are sent into the runtime like any other event.

If using a timer execution thread pool as discussed above, the internal timer or external time event provide the schedule evaluation however do not actually perform the time-based processing. The time-based processing is performed by the threads in the timer execution thread pool.



Tip

External and internal/system time is the same internally to the runtime thus the runtime behaves the same whether using external or internal timer.

This code snippet shows the use of the configuration API to disable the internal timer and thereby turn on externally-provided time (see the Configuration section for configuration via XML file):

```
Configuration config = new Configuration();
config.getRuntime().getThreading().setInternalTimerEnabled(false);
EPRuntime runtime = EPRuntimeProvider.getDefaultRuntime(config);
```

After disabling the internal timer, it is wise to set a defined time so that any statements created thereafter start relative to the time defined. Use the `advanceTime` method to indicate current time to the runtime and to move time forward for the runtime (a.k.a application-time model).

This code snippet obtains the current time and advances time:

```
long timeInMillis = System.currentTimeMillis();
runtime.getEventService().advanceTime(timeInMillis);
```

To enable or disable the internal timer by API call use the `clockExternal` and `clockInternal` methods of `EPEventService`.

The next code snippet demonstrates toggling to external time:

```
EPRuntime runtime = EPRuntimeProvider.getDefaultRuntime();
EPEventService eventService = runtime.getEventService();
// switch to external clocking
eventService.clockExternal();
```

The `advanceTime` method moves the time forward. All aspects of runtime current time related to statements and patterns are driven by the time that your application advances to.

The next example sequence of instructions sets time to zero, then creates a statement, then moves time forward to 1 seconds later and then 6 seconds later:

```
// Set start time at zero.
runtime.getEventService().advanceTime(0);

// deploy a module here
// sample EPL: select current_timestamp() as ct from pattern[every
timer:interval(1 minute)]
runtime.getDeploymentService().deploy(compiled); // compiled is a module you
compiled earlier

// move time forward 1 second
runtime.getEventService().advanceTime(1000);
```

```
// move time forward 5 seconds
runtime.getEventService().advanceTime(6000);
```

When advancing time your application should make sure values are ascending. That is, each time value should be either the same value or a larger value than the prior value provided.

Your application may use the `getNextScheduledTime` method in `EPEventService` to determine the earliest time a schedule for any statement requires evaluation.

The following code snippet sets the current time, creates a statement and prints the next scheduled time which is 1 minute later than the current time:

```
// set start time to the current time.
runtime.getEventService().advanceTime(System.currentTimeMillis());

// deploy a module
// sample EPL: select current_timestamp() as ct from pattern[every
// timer:interval(1 minute)]
runtime.getDeploymentService().deploy(compiled); // compiled is a module you
// compiled earlier

// print next schedule time
System.out.println("Next schedule at " + new
    Date(runtime.getEventService().getNextScheduledTime()));
```



Tip

If you find that your application requires control over time only for specific deployments and not for other deployments, please read up on [Section 16.21, “Stages”](#).



Warning

You may not use `advanceTime` or `advanceTimeSpan` to control time when using internal timer since the internal timer tracks system time and must be the only source of time.

16.9.1. Controlling Time Using Time Span Events

The `advanceTime` method allows your application to advance runtime time to a given point in time. In addition, the `getNextScheduledTime` method in `EPEventService` returns the next scheduled

time according to started statements. You would typically use `advanceTime` to advance time at a relatively high resolution i.e. milliseconds or microseconds.

To advance time for a span of time without individual calls to `advanceTime` the API provides the method `advanceTimeSpan`. The `advanceTimeSpan` method can accept a resolution parameter.

If your application provides the target end time of a time span to the `advanceTimeSpan` method and does not provide a resolution, the runtime advances time up to the target time by stepping through all relevant times according to started statements.

If your application provides the target end time of a time span and in addition a `long`-typed resolution to the `advanceTimeSpan` method the runtime advances time up to the target time by incrementing time according to the resolution (regardless of next scheduled time according to started statements).

Consider the following example:

```
// Set start time to Jan.1, 2010, 00:00 am for this example
SimpleDateFormat format = new SimpleDateFormat("yyyy MM dd HH:mm:ss SSS");
Date startTime = format.parse("2010 01 01 00:00:00 000");
runtime.getEventService().advanceTime(startTime.getTime());

// deploy a module
// sample EPL: select current_timestamp() as ct from pattern[every
timer:interval(1 minute)]
runtime.getDeploymentService().deploy(compiled); // compiled is a module you
compiled earlier
stmt.addListener(...); // add a listener

// Advance time to 10 minutes after start time
runtime.getEventService().advanceTimeSpan(startTime.getTime() + 10*60*1000);
```

The above example advances time to 10 minutes after the start time using the `advanceTimeSpan` method. As the example does not pass a resolution, the runtime advances time according to statement schedules. Upon calling the `advanceTimeSpan` method the listener sees 10 invocations for minute 1 to minute 10.

To advance time according to a given resolution, you may provide the resolution as shown below:

```
// Advance time to 10 minutes after start time at 100 msec resolution
runtime.getEventService().advanceTimeSpan(startTime.getTime() + 10*60*1000,
100);
```

16.9.2. Time Resolution and Time Unit

Time can have a resolution of either milliseconds or microseconds.

The default time resolution is milliseconds. To configure the runtime for microsecond resolution, please see [Section 17.4.14.1, “Time Unit”](#).

Table 16.7. Time Resolution

	Millisecond	Microsecond
Smallest unit for advancing time	1 millisecond	1 microsecond
Equivalent <code>java.util.concurrent.TimeUnit</code>	<code>TimeUnit.MILLISECONDS</code>	<code>TimeUnit.MICROSECONDS</code>
Default?	Default	Requires configuration change, see Section 17.4.14.1, “Time Unit”
Long-type runtime time represents	Milliseconds since Epoch	Microseconds since Epoch
Example: the date Tue, 01 Jan 1980 00:00:00 GMT	315532800000	315532800000000
Support for Internal System Time	Yes	No, requires external time (aka. event time) via <code>advanceTimeSpan</code> or <code>advanceTime</code>

A few notes on usage of microsecond time unit for time resolution:

- The runtime automatically computes time periods into microseconds. For example `1 minute 2 seconds` is `62000000` microseconds (`62 * 1000000`).
- The runtime automatically computes time-in-second parameters into microseconds. For example `5.02 seconds` is `5020000` microseconds.
- The runtime automatically computes ISO schedules, crontabs and hints related to runtime time into microseconds.
- The `CurrentTimeSpanEvent` or `CurrentTimeEvent` events must provide microsecond values.
- Date-time methods with long-type input values assume microsecond values.
- Date-time methods or other functions that take millisecond parameters or produce millisecond values still consume/produce millisecond values, such as the date-time method `toMillisec`.
- The internal timer must be disabled (`setInternalTimerEnabled(false)`) and `TimerControlEvent.ClockType.CLOCK_INTERNAL` cannot be used.

16.9.3. Internal Timer Based on JVM System Time

By default the internal timer is enabled and that tracks VM system time. For many use cases your application may want to use event time or external time instead, as discussed above.

The internal timer thread, by default, uses the call `System.currentTimeMillis()` to obtain system time. Please see the JIRA issue [ESPER-191 Support nano/microsecond resolution for more information on Java system time-call performance, accuracy and drift](#).

The internal timer thread can be configured to use nanosecond time as returned by `System.nanoTime()`. If configured for nanosecond time, the runtime computes an offset of the nanosecond ticks to wall clock time upon startup to present back an accurate millisecond wall clock time. Please see section [Section 17.6.6, “Runtime Settings Related to Time Source”](#) to configure the internal timer thread to use `System.nanoTime()`.

The internal timer is based on `java.util.concurrent.ScheduledThreadPoolExecutor` and that generally provides high accuracy VM time (`java.util.Timer` does not support high accuracy VM time).

16.10. Exception Handling

You may register one or more exception handlers for the runtime to invoke in the case it encounters an exception processing a continuously-executing statement. By default and without exception handlers the runtime cancels execution of the current statement that encountered the exception, logs the exception and continues to the next statement, if any. The configuration is described in [Section 17.6.11, “Runtime Settings Related to Exception Handling”](#).

If your application registers exception handlers as part of runtime configuration, the runtime invokes the exception handlers in the order they are registered passing relevant exception information such as statement name, expression and the exception itself.

Exception handlers receive any statement unchecked exception such as internal exceptions or exceptions thrown by plug-in aggregation functions or plug-in data windows. The runtime does not provide to exception handlers any exceptions thrown by static method invocations for function calls, method invocations in joins, methods on variables and event classes and listeners or subscriber exceptions.

An exception handler can itself throw a runtime exception to cancel execution of the current event against any further statements.



Note

Exceptions are meant to indicate an actual unexpected problem.

We do not recommend explicitly throwing exceptions for the purpose of flow control, preempting execution or other normal situations.

The runtime does not guarantee that throwing an exception has no other side effect and the runtime may not roll back changes that are already made to state.

For fire-and-forget queries the API indicates any exception directly back to the caller without the exception handlers being invoked, as exception handlers apply to statements only. The same applies to any API calls other than `sendEvent` and the `EventSender` methods.

As the configuration section describes, your application registers one or more classes that implement the `ExceptionHandlerFactory` interface in the runtime configuration. Upon runtime initialization the runtime obtains a factory instance from the class name that then provides the exception handler instance. The exception handler class must implement the `ExceptionHandler` interface.

16.11. Condition Handling

You may register one or more condition handlers for the runtime to invoke in the case it encounters certain conditions, as outlined below, when executing a statement. By default and without condition handlers the runtime logs the condition at informational level and continues processing. The configuration is described in [Section 17.6.12, “Runtime Settings Related to Condition Handling”](#).

If your application registers condition handlers as part of runtime configuration, the runtime invokes the condition handlers in the order they are registered passing relevant condition information such as statement name, expression and the condition information itself.

Currently the only conditions indicated by this facility are raised by the pattern followed-by operator, see [Section 7.5.8.1, “Limiting Sub-Expression Count”](#) and see [Section 7.5.8.2, “Limiting Runtime-Wide Sub-Expression Count”](#).

A condition handler may not itself throw a runtime exception or return any value.

As the configuration section describes, your application registers one or more classes that implement the `ConditionHandlerFactory` interface in the runtime configuration. Upon runtime initialization the runtime obtains a factory instance from the class name that then provides the condition handler instance. The condition handler class must implement the `ConditionHandler` interface.

16.12. Runtime and Statement Metrics Reporting

The runtime can report key processing metrics through the JMX platform mbean server by setting a single configuration flag described in [Section 17.6.7, “Runtime Settings Related to JMX Metrics”](#). For additional detailed reporting and metrics events, please read on.

Metrics reporting is a feature that allows an application to receive ongoing reports about key runtime-level and statement-level metrics. Examples are the number of incoming events, the CPU time and wall time taken by statement executions or the number of output events per statement.

Metrics reporting is, by default, disabled. To enable reporting, please follow the steps as outlined in [Section 17.6.8, “Runtime Settings Related to Metrics Reporting”](#). Metrics reporting must be

enabled at runtime initialization time. Reporting intervals can be controlled at runtime via the `EPMetricsService` interface available from the runtime API.

Your application can receive metrics at configurable intervals via statement. A metric datapoint is simply a well-defined event. The events are `RuntimeMetric` and `StatementMetric` and the Java class representing the events can be found in the client API in package `com.espertech.esper.common.client.metric`.

Since metric events are processed by the runtime the same as application events, your EPL may use any construct on such events. For example, your application may select, filter, aggregate properties, sort or insert into a stream, named window or table all metric events the same as application events.

This example statement selects all runtime metric events:

```
select * from RuntimeMetric
```

The next statement selects all statement metric events:

```
select * from StatementMetric
```

Make sure to have metrics reporting enabled since only then do listeners or subscribers to a statement such as above receive metric events.

The runtime provides metric events after the configured interval of time has passed. By default, only started statements that have activity within an interval (in the form of event or timer processing) are reported upon.

The default configuration performs the publishing of metric events in an Esper daemon thread under the control of the runtime instance. Metrics reporting honors externally-supplied time, if using external timer events.

Via runtime configuration options provided by `EPMetricsService`, your application may enable and disable metrics reporting globally, provided that metrics reporting was enabled at initialization time. Your application may also enable and disable metrics reporting for individual statements by statement name.

Statement groups is a configuration feature that allows to assigning reporting intervals to statements. Statement groups are described further in the [Section 17.6.8, “Runtime Settings Related to Metrics Reporting”](#) section. Statement groups cannot be added or removed at runtime.

The following limitations apply:

- If your Java VM version does not report current thread CPU time (most JVM do), then CPU time is reported as zero

(use `ManagementFactory.getThreadMXBean().isCurrentThreadCpuTimeSupported()` to determine if your JVM supports this feature).

Note: In some JVM the accuracy of CPU time returned is very low (in the order of 10 milliseconds off) which can impact the usefulness of CPU metrics returned. Consider measuring CPU time in your application thread after sending a number of events in the same thread, external to the runtime as an alternative.

- Your Java VM may not provide high resolution time via `System.nanoTime`. In such case wall time may be inaccurate and imprecise.
- CPU time and wall time have nanosecond precision but not necessarily nanosecond accuracy, please check with your Java VM provider.
- There is a performance cost to collecting and reporting metrics.
- Not all statements may report metrics: The runtime performs certain runtime optimizations sharing resources between similar statements, thereby not reporting on certain statements.

16.12.1. Runtime Metrics

Runtime metrics are properties of `RuntimeMetric` events:

Table 16.8. RuntimeMetric Properties

Name	Description
<code>runtimeURI</code>	The URI of the runtime.
<code>timestamp</code>	The current runtime time.
<code>inputCount</code>	Cumulative number of input events since runtime initialization time. Input events are defined as events send in via application threads as well as <code>insert into</code> events.
<code>inputCountDelta</code>	Number of input events since last reporting period.
<code>scheduleDepth</code>	Number of outstanding schedules.

16.12.2. Statement Metrics

Statement metrics are properties of `StatementMetric`. The properties are:

Table 16.9. StatementMetric Properties

Name	Description
<code>runtimeURI</code>	The URI of the runtime.
<code>timestamp</code>	The current runtime time.
<code>statementName</code>	Statement name.
<code>cpuTime</code>	Statement processing CPU time (system and user) in nanoseconds (if available by Java VM, obtained from <code>ThreadMXBean.getCurrentThreadCpuTime</code>).

Name	Description
wallTime	Statement processing wall time in nanoseconds (based on <code>System.nanoTime</code>).
numInput	Number of input events to the statement.
numOutputIStream	Number of insert stream rows output to listeners or the subscriber, if any.
numOutputRStream	Number of remove stream rows output to listeners or the subscriber, if any.

The totals reported are cumulative relative to the last metric report.

16.13. Monitoring and JMX

Enterprise Edition has a library for measuring and reporting memory use for a runtime.

The runtime can report key processing metrics through the JMX platform mbean server by setting a single configuration flag described in [Section 17.6.7, “Runtime Settings Related to JMX Metrics”](#).

Runtime and statement-level metrics reporting is described in [Section 16.12, “Runtime and Statement Metrics Reporting”](#).

The easiest way to see thread contentions is by using VisualVM when Esper is under load and looking at the Threads tab. In the worst case you will see a lot of red color in VisualVM. The red line in VisualVM shows the threads that are either in a monitor region or waiting in an entry set for the monitor. The monitor is the mechanism that Java uses to support synchronization. When a statement is stateful the runtime manages the state using a monitor (lock) per context partition.

A JVM profiler can be handy to see how much CPU is spent in Esper by the `sendEvent` method.

The `jconsole` can provide information on the JVM heap. If memory gets tight the performance can drop significantly.

16.14. Event Rendering to XML and JSON

The `EPRenderEventService` interface offers methods to render events as XML or JSON. Obtain the service from a runtime by calling `getRenderEventService` on `EPRuntime`.

Your application may use the built-in XML and JSON formatters to render output events into a readable textual format, such as for integration or debugging purposes. This section introduces the utility classes in the client `util` package for rendering events to strings. Further API information can be found in the JavaDocs.

For repeated rendering of events of the same event type or subtypes, it is recommended to obtain a `JSONEventRenderer` or `XMLEventRenderer` instance and use the `render` method provided by the interface. This allows the renderer implementations to cache event type metadata for fast rendering.

This example shows how to obtain a renderer for repeated rendering of events of the same type, assuming that `statement` is an instance of `EPStatement`:

```
JSONEventRenderer                jsonRenderer                =  
    runtime.getRenderEventService().getJSONRenderer(statement.getEventType());
```

Assuming that `event` is an instance of `EventBean`, this code snippet renders an event into the JSON format:

```
String jsonEventText = jsonRenderer.render("MyEvent", event);
```

The XML renderer works the same:

```
XMLEventRenderer                xmlRenderer                =  
    runtime.getRenderEventService().getXMLRenderer(statement.getEventType());
```

...and...

```
String xmlEventText = xmlRenderer.render("MyEvent", event);
```

If the event type is not known in advance or if your application does not want to obtain a renderer instance per event type for fast rendering, your application can use one of the following methods to render an event to a XML or JSON textual format:

```
String json = runtime.getRenderEventService().renderJSON(event);  
String xml = runtime.getRenderEventService().renderXML(event);
```

Use the `JSONRenderingOptions` or `XMLRenderingOptions` classes to control how events are rendered. To render specific event properties using a custom event property renderer, specify an `EventPropertyRenderer` as part of the options that renders event property values to strings. Please see the JavaDoc documentation for more information.

16.14.1. JSON Event Rendering Conventions and Options

The JSON renderer produces JSON text according to the standard documented at <http://www.json.org>.

The renderer formats simple properties as well as nested properties and indexed properties according to the JSON string encoding, array encoding and nested object encoding requirements.

The renderer does render indexed properties, it does not render indexed properties that require an index, i.e. if your event representation is backed by POJO objects and your getter method is `getValue(int index)`, the indexed property values are not part of the JSON text. This is because

the implementation has no way to determine how many index keys there are. A workaround is to have a method such as `Object[] getValue()` instead.

The same is true for mapped properties that the renderer also renders. If a property requires a Map key for access, i.e. your getter method is `getValue(String key)`, such property values are not part of the result text as there is no way for the implementation to determine the key set.

16.14.2. XML Event Rendering Conventions and Options

The XML renderer produces well-formed XML text according to the XML standard.

The renderer can be configured to format simple properties as attributes or as elements. Nested properties and indexed properties are always represented as XML sub-elements to the root or parent element.

The root element name provided to the XML renderer must be the element name of the root in the XML document and may include namespace instructions.

The renderer does render indexed properties, it does not render indexed properties that require an index, i.e. if your event representation is backed by POJO objects and your getter method is `getValue(int index)`, the indexed property values are not part of the XML text. This is because the implementation has no way to determine how many index keys there are. A workaround is to have a method such as `Object[] getValue()` instead.

The same is true for mapped properties that the renderer also renders. If a property requires a Map key for access, i.e. your getter method is `getValue(String key)`, such property values are not part of the result text as there is no way for the implementation to determine the key set.

16.15. Plug-In Loader

A plug-in loader is for general use with input adapters, output adapters or EPL code deployment or any other task that can benefit from being part of an Esper configuration file and that follows runtime lifecycle.

A `plug-in loader` implements the `com.espertech.esper.runtime.client.plugin.PluginLoader` interface and can be listed in the configuration.

Each configured plug-in loader follows the runtime instance lifecycle: When an runtime instance initializes, it instantiates each `PluginLoader` implementation class listed in the configuration. The runtime then invokes the lifecycle methods of the `PluginLoader` implementation class before and after the runtime is fully initialized and before an runtime instance is destroyed.

Declare a plug-in loader in your configuration XML as follows:

```
...
<plugin-loader name="MyLoader" class-name="org.mypackage.MyLoader">
  <init-arg name="property1" value="vall1"/>
</plugin-loader>
```

```
...
```

Alternatively, add the plug-in loader via the configuration API:

```
Configuration config = new Configuration();
Properties props = new Properties();
props.put("property1", "value1");
config.getRuntime().addPluginLoader("MyLoader", "org.mypackage.MyLoader",
    props);
```

Implement the `init` method of your `PluginLoader` implementation to receive initialization parameters. The runtime invokes this method before the runtime is fully initialized, therefore your implementation should not rely on the runtime instance within the method body:

```
public class MyPluginLoader implements PluginLoader {
    public void init(String loaderName, Properties properties, EPRuntime runtime) {
        // save the configuration for later, perform checking
    }
    ...
}
```

The runtime calls the `postInitialize` method once the runtime completed initialization and to indicate the runtime is ready for traffic.

```
public void postInitialize() {
    // Start the actual interaction with external feeds or the runtime here
}
...
```

The runtime calls the `destroy` method once the runtime is destroyed or initialized for a second time.

```
public void destroy() {
    // Destroy resources allocated as the runtime instance is being destroyed
}
```

To access the plug-in at runtime, the `getContext` method provides access under the name `plugin-loader/name`:

```
runtime.getContext().getEnvironment().get("plugin-loader/MyLoader");
```

16.16. Context Partition Selection

This chapter discusses how to select context partitions. Contexts are discussed in [Chapter 4, Context and Context Partitions](#) and the reasons for context partition selection are introduced in [Section 4.10, "Operations on Specific Context Partitions"](#).

The section is only relevant when you declare a context. It applies to all different types of hash, partitioned, category, overlapping or other temporal contexts. The section uses a category context for the purpose of illustration. The API discussed herein is general and handles all different types of contexts including nested contexts.

Consider a category context that separates bank transactions into small, medium and large:

```
// declare category context
create context TxnCategoryContext
  group by amount < 100 as small,
  group by amount between 100 and 1000 as medium,
  group by amount > 1000 as large from BankTxn
```

```
// retain 1 minute of events of each category separately
context TxnCategoryContext select * from BankTxn#time(1 minute)
```

In order for your application to iterate one or more specific categories it is necessary to identify which category, i.e. which context partition, to iterate. Similarly for fire-and-forget queries, to execute fire-and-forget queries against one or more specific categories, it is necessary to identify which context partition to execute the fire-and-forget query against.

Your application may iterate one or more specific context partitions using either the `iterate` or `safeIterate` method of `EPStatement` by providing an implementation of the `ContextPartitionSelector` interface.

For example, assume your application must obtain all bank transactions for small amounts. It may use the API to identify the category and iterate the associated context partition:

```
ContextPartitionSelectorCategory    categorySmall    =    new
ContextPartitionSelectorCategory() {
  public Set<String> getLabels() {
    return Collections.singleton("small");
  }
};
Iterator<EventBean> it = stmt.iterator(categorySmall);
```

Your application may execute fire-and-forget queries against one or more specific context partitions by using the `executeQuery` method on `EPRuntime` or the `execute` method on `EPFireAndForgetPreparedQuery` and by providing an implementation of `ContextPartitionSelector`.

Fire-and-forget queries execute against named windows and tables, therefore below statement creates a named window which the runtime manages separately for small, medium and large transactions according to the context declared earlier:

```
// Named window per category
context TxnCategoryContext create window BankTxnWindow#time(1 min) as BankTxn
```

The following code demonstrates how to fire a fire-and-forget query against the small and the medium category:

```
ContextPartitionSelectorCategory categorySmallMed = new
ContextPartitionSelectorCategory() {
    public Set<String> getLabels() {
        return new HashSet<String>(Arrays.asList("small", "medium"));
    }
};
runtime.getFireAndForgetService().executeQuery(
    "select count(*) from BankTxnWindow",
    new ContextPartitionSelector[] {categorySmallMed});
```

The following limitations apply:

- Fire-and-forget queries may not join named windows or tables that declare a context.

16.16.1. Selectors

This section summarizes the selector interfaces that are available for use to identify and interrogate context partitions. Please refer to the JavaDoc documentation for package `com.espertech.esper.common.client.context` and classes therein for additional information.

Use an implementation of `ContextPartitionSelectorAll` or the `ContextPartitionSelectorAll.INSTANCE` object to instruct the runtime to consider all context partitions.

Use an implementation of `ContextPartitionSelectorById` if your application knows the context partition ids to query. This selector instructs the runtime to consider only those provided context partitions based on their integer id value. The runtime outputs the context partition id in the built-in property `context.id`.

Use an implementation of `ContextPartitionSelectorFiltered` to receive and interrogate context partitions. Use the `filter` method that receives a `ContextPartitionIdentifier` to return a boolean indicator whether to include the context partition or not. The `ContextPartitionIdentifier` provides information about each context partition. Your application may not retain `ContextPartitionIdentifier` instances between `filter` method invocations as the runtime reuses the same instance. This selector is not supported with nested contexts.

Use an implementation of `ContextPartitionSelectorCategory` with category contexts.

Use an implementation of `ContextPartitionSelectorSegmented` with keyed segmented contexts.

Use an implementation of `ContextPartitionSelectorHash` with hash segmented contexts.

Use an implementation of `ContextPartitionSelectorNested` in combination with the selectors described above with nested contexts.

16.17. Context Partition Administration

This chapter briefly discusses the API to manage context partitions. Contexts are discussed in [Chapter 4, Context and Context Partitions](#).

The section is only relevant when you declare a context. It applies to all different types of hash, partitioned, category, overlapping or other temporal contexts.

The `EPCContextPartitionService` interface offers methods to manage context partitions. Obtain the service from a runtime by calling `getContextPartitionService` on `EPRuntime`.

The context partition admin API allows an application to:

- Interrogate the state and identifiers for existing context partitions.
- Determine statements associated to a context and context nesting level.
- Receive a callback when new contexts get created and destroyed or when context partitions are allocated and de-allocated.
- Obtain context properties.

Please see the JavaDoc documentation for more information.

16.18. Test and Assertion Support

Esper offers a listener and an assertions class to facilitate automated testing of EPL rules, for example when using a test framework such as `JUnit` or `TestNG`.

Esper does not require any specific test framework. If your application has the `JUnit` test framework in classpath Esper uses `junit.framework.AssertionFailedError` to indicate assertion errors, so as to integrate with continuous integration tools.

For detailed method-level information, please consult the JavaDoc of the package `com.espertech.esper.common.client.scopetest` and `com.espertech.esper.runtime.client.scopetest`.

The class `com.espertech.esper.common.client.scopetest.EPAssertionUtil` provides methods to assert or compare event property values as well as perform various array arithmetic, sort events and convert events or iterators to arrays.

The class `com.espertech.esper.runtime.client.scopetest.SupportUpdateListener` provides an `UpdateListener` implementation that collects events and returns event data for assertion.

The class `com.espertech.esper.runtime.client.scopetest.SupportSubscriber` provides a subscriber implementation that collects events and returns event data for assertion. The `SupportSubscriberMRD` is a subscriber that accepts events multi-row delivery. The `SupportSubscriber` and `SupportSubscriberMRD` work similar to `SupportUpdateListener` that is introduced in more detail below.

16.18.1. `EPAssertionUtil` Summary

The below table only summarizes the most relevant assertion methods offered by `EPAssertionUtil`. Methods provide multiple footprints that are not listed in detail below. Please consult the JavaDoc for additional method-level information.

Table 16.10. Method Summary for `EPAssertionUtil`

Name	Description
<code>assertProps</code>	Methods that assert that property values of a single <code>EventBean</code> , POJO or Map matches compared to expected values.
<code>assertPropsPerRow</code>	Methods that assert that property values of multiple <code>EventBean</code> , POJOs or Maps match compared to expected values.
<code>assertPropsPerRowAnyOrder</code>	Same as above, but any row may match. Useful for unordered result sets.
<code>assertEqualsExactOrder</code>	Methods that compare arrays, allowing <code>null</code> . as parameters.
<code>assertEqualsAnyOrder</code>	Same as above, but any row may match. Useful for unordered result sets.

16.18.2. `SupportUpdateListener` Summary

The below table only summarizes the most relevant methods offered by `SupportUpdateListener`. Please consult the JavaDoc for additional information.

Table 16.11. Method Summary for SupportUpdateListener

Name	Description
reset	Initializes listener clearing current events and resetting the invoked flag.
getAndClearIsInvoked	Returns the "invoked" flag indicating the listener has been invoked, and clears the flag.
getLastNewData	Returns the last events received by the listener.
getAndResetDataListsFlattened	Returns all events received by the listener as a pair.
assertOneGetNewAndReset	Asserts that exactly one new event was received and no removed events, returns the event and resets the listener.
assertOneGetNew	Asserts that exactly one new event was received and returns the event.

16.18.3. Usage Example

The next code block is a short but complete programming example that asserts that the properties received from output events match expected value.

```
String epl = "select personName, count(*) as cnt from PersonEvent#length(3) group
  by personName";
Configuration configuration = new Configuration();
configuration.getCommon().addEventType(PersonEvent.class);
CompilerArguments compilerArguments = new CompilerArguments(configuration);
EPCompiled compiled = EPCompilerProvider.getCompiler().compile(stmt,
  compilerArguments);

EPRuntime runtime = EPRuntimeProvider.getDefaultRuntime(configuration);
EPStatement stmt =
  runtime.getDeploymentService().deploy(compiled).getStatements()[0];

SupportUpdateListener listener = new SupportUpdateListener();
stmt.addListener(listener);

runtime.getEventService().sendEventBean(new PersonEvent("Joe"), "PersonEvent");
EPAssertionUtil.assertProps(listener.assertOneGetNewAndReset(),
  "personName,cnt".split(","),
  new Object[]{"Joe", 1L});
```

A few additional examples are shown below:

```
String[] fields = new String[] {"property"};
```

```
EPAssertionUtil.assertPropsPerRow(listener.getAndResetDataListsFlattened(),
    fields,
    new Object[][]{{"E2"}}, new Object[][]{{"E1"}});
```

```
EPAssertionUtil.assertPropsPerRow(listener.getAndResetLastNewData(), fields,
    new Object[][]{{"E1"}, {"E2"}, {"E3"}});
```

```
assertTrue(listener.getAndClearIsInvoked());
```

Please refer to the Esper codebase test sources for more examples using the assertion class and the listener class.

16.19. OSGi, Class Loader, Class-For-Name

The configuration object (`Configuration`), in respect to classes, holds the fully-qualified class name and does not generally hold `Class` references. This is by design since the configuration object can be populated from XML.

When deploying compiled modules the runtime may use a class loader to find resources. Your application has full control over class-for-name and classloader use. OSGi environments can provide a specific class-for-name and class loader. Please refer to [Section 17.7, "Passing Services or Transient Objects"](#).

16.20. When Deploying with J2EE

A compiler and runtime can well be deployed as part of a J2EE web or enterprise application archive to a web application server. When designing for deployment into a J2EE web application server, please consider the items discussed here.

We provide a sample servlet context listener in this section that uses the deployment API to deploy and undeploy modules as part of the servlet lifecycle.

The distribution provides a message-driven bean (MDB) example that you may find useful.

Esper does not have a dependency on any J2EE or Servlet APIs to allow the runtime to run in any environment or container.

16.20.1. J2EE Deployment Considerations

As multiple web applications deployed to a J2EE web application server typically have a separate classloader per application, you should consider whether runtime instances need to be shared between applications or can remain separate runtime instances. Consider the `EPRuntimeProvider` a Singleton. When deploying multiple web applications, your J2EE container

classloader may provide a separate instance of the Singleton `EPRuntimeProvider` to each web application resulting in multiple independent runtime instances.

To share `EPRuntime` instances between web applications, one approach is to add the runtime jar files to the system classpath. A second approach can be to have multiple web applications share the same servlet context and have your application place the `EPRuntime` instance into a servlet context attribute for sharing. Architecturally you may also consider a single archived application (such as an message-driven bean) that all your web applications communicate to via the JMS broker provided by your application server or an external JMS broker.

As per J2EE standards there are restrictions in regards to starting new threads in J2EE application code. Esper adheres to these restrictions: It allows to be driven entirely by external events. To remove all Esper threads, set the internal timer off and leave the advanced threading options turned off. To provide timer events when the internal timer is turned off, you should check with your J2EE application container for support of the Java system timer or for support of batch or work loading to send timer events to an runtime instance.

As per J2EE standards there are restrictions in regards to input and output by J2EE application code. Esper adheres to these restrictions: By itself it does not start socket listeners or performs any file IO.

16.20.2. Servlet Context Listener

When deploying a J2EE archive that contains EPL modules files below is sample code to read and deploy EPL modules files packaged with the enterprise or web application archive when the servlet initializes. The sample undeploys EPL modules when the servlet context gets destroyed.

A sample `web.xml` configuration extract is:

```
<?xml version="1.0" encoding="UTF-8"?>
<web-app>
  <listener>
    <listener-class>SampleServletListener</listener-class>
  </listener>
  <context-param>
    <param-name>eplmodules</param-name>
    <param-value>switchmonitor.epl</param-value>
  </context-param>
</web-app>
```

A sample servlet listener that deploys EPL module files packaged into the archive on context initialization and that undeploys when the application server destroys the context is shown here:

```
public class SampleServletListener implements ServletContextListener {

    private List<String> deploymentIds = new ArrayList<String>();
```

```
public void contextInitialized(ServletContextEvent servletContextEvent) {
    try {
        String modulesList =
servletContextEvent.getServletContext().getInitParameter("eplmodules");
        List<Module> modules = new ArrayList<Module>();
        if (modulesList != null) {
            String[] split = modulesList.split(",");
            for (int i = 0; i < split.length; i++) {
                String resourceName = split[i].trim();
                if (resourceName.length() == 0) {
                    continue;
                }
                String realPath =
servletContextEvent.getServletContext().getRealPath(resourceName);
                Module module = EPCompilerProvider.getCompiler().readModule(new
File(realPath));
                modules.add(module);
            }
        }

        // Determine deployment order
        ModuleOrder order = ModuleOrderUtil.getModuleOrder(modules, null);

        // Deploy
        for (Module module : order.getOrdered()) {
            // compile and deploy here (code not included), add deployment id
            deploymentIds.add(deployment.getDeploymentId());
        }
    }
    catch (Exception ex) {
        ex.printStackTrace();
    }
}

public void contextDestroyed(ServletContextEvent servletContextEvent) {
    EPRuntime runtime = EPRuntimeProvider.getDefaultRuntime();
    for (String deploymentId : deploymentIds) {
        runtime.getDeploymentService().undeploy(deploymentId);
    }
}
}
```

16.21. Stages

16.21.1. Overview

An Esper *stage* is its own little container that can host deployments.

A stage processes only those events that an application sends into that stage. A stage does not see any events that an application sends into the runtime.

A stage has its own stage time. Time in a stage advances only when an application advances time for that stage. A stage advance times independently of runtime time.

Each stage is uniquely identified by a stage URI. Within different runtimes there can be stages of the same stage URI. A stage lives within the runtime instance and gets destroyed when the runtime gets destroyed. An application can allocate any number of stages. A stage URI can be any non-null string value.

These attributes make stages useful for:

- Suspend and Resume. Suspend deployments so they don't receive events or don't advance time. Resume deployments when they are needed again.
- Initialize, Load, or Catch-Up new Deployments to Existing Event and Time History. Stage deployments and replay events and time until deployments have caught up with history, and then unstage deployments to have them receive runtime events and time.
- Replay. Replay events and time, receive results, destroy accumulated state, without affecting other deployments and in parallel to other activity.

In other words, a *stage* allows an application to control event visibility and the concept of time as desired on a deployment level: Events sent into a stage are visible only to those deployments that are staged and are not visible to deployments outside of that stage. Within a stage an application can control time independently, start time at a point in time and advance time at the resolution and pace suitable for the deployments added to that stage.



Warning

This API is under development for version 8.4 and newer, and is considered UNSTABLE.

16.21.2. Stage APIs

The `getStageService` method on `EPRuntime` returns the service for managing stages:

```
EPStageService stageService = runtime.getStageService();
```

To allocate a stage or obtain an already-allocated stage, use `getStage` and pass the stage URI. The new stage current time is the runtime current time.

```
EPStage stage = stageService.getStage("myStage");
```

The `EPStage` instance represents the stage. The freshly-allocated stage is empty.

The `stage` method moves deployments from the runtime to the stage (assume `deploymentId` is a deployment id of an existing deployment):

```
stage.stage(Collections.singletonList(deploymentId));
```

The `unstage` method moves deployments from the stage to the runtime:

```
stage.unstage(Collections.singletonList(deploymentId));
```

To send events to the stage, use `EPStageEventService` which extends the `EPEventService` interface:

```
stage.getEventService().sendEventBean(new Order(...), "Order");
```

To advance time for a stage, also use `EPStageEventService`:

```
stage.getEventService().advanceTime(myTimeInMillis);
```

Finally, call `destroy` to destroy the stage. Destroy requires that the stage is empty, i.e. does not have any deployments:

```
stage.destroy();
```

16.21.3. Stage Example: Suspending and Resuming a Statement

By staging deployments, the deployments' time and event processing occurs only when the application explicitly sends events to the stage or advances time for that stage.

The example code below compiles and deploys EPL that reports order events:

```
String module =
    "@public @buseventtype create schema OrderEvent(price double);\n" +
    "@name('All-Order-Events') select * from OrderEvent;\n";
EPCompiled compiled = EPCompilerProvider.getCompiler().compile(module, null);
EPRuntime runtime = EPRuntimeProvider.getDefaultRuntime();
EPDeployment deployment = runtime.getDeploymentService().deploy(compiled);
```



```
deployment.getStatements()[0].addListener(new SupportUpdateListener());
```

The `stage` method stages the deployment:

```
EPStage stage = runtime.getStageService().getStage("myStage");
stage.stage(Collections.singletonList(deployment.getDeploymentId()));
```

The staged deployment only receives `OrderEvent` events that an application send into the stage. It does not receive `OrderEvent` events that an application sends into the runtime (the `EPEventService` returned by `getEventService` of `EPRuntime`). For example:

```
// The listener receives the following event
stage.getEventService().sendEventMap(Collections.singletonMap("price", 100d),
    "OrderEvent");

// The listener DOES NOT receive the following event
runtime.getEventService().sendEventMap(Collections.singletonMap("price", 200d),
    "OrderEvent");
```

The `unstage` method un-stages the deployment:

```
stage.unstage(Collections.singletonList(deployment.getDeploymentId()));
```

The un-staged deployment only receives `OrderEvent` events that an application sends into the runtime. It does not receive `OrderEvent` events that an application sends into the stage. For example:

```
// The listener DOES NOT receive the following event
stage.getEventService().sendEventMap(Collections.singletonMap("price", 100d),
    "OrderEvent");

// The listener receives the following event
runtime.getEventService().sendEventMap(Collections.singletonMap("price", 200d),
    "OrderEvent");
```

Finally, destroy the stage when it is no longer needed:

```
stage.destroy();
```

16.21.4. Stage Other Considerations

When staging and unstaging, existing schedules are adjusted for the time difference between stage and runtime, if any. For example, assume a pattern `pattern[timer:interval(10 minutes)]` deployed at 9:00:00, which would fire at 9:10:00. If the time of the target is 8:55:00 or 9:05:00 the pattern still fires at 9:10:00. If the time of the target is after, for example 9:15:00, the pattern fires when time advances again.

Staging and un-staging deployments is an inexpensive operation in general.

When using advanced threading options, each stage has its own threading i.e. its own thread pool and queues.

Each stage has its own metrics reporting, when enabled.

Stage use the some configuration values as provided for the runtime.

16.21.5. Stage Limitations

Deployments that have dependencies on other deployments require additional consideration. Such deployments may provide EPL objects to other deployments, and deployments may consume EPL objects from other deployments. For example, a deployment may create a named window and another deployment may query the named window.

When staging deployments that have dependencies on other deployments, such EPL-object-providing or EPL-object-consuming deployments must also be staged or unstaged in the same operation.

Chapter 17. Configuration

17.1. Overview

Compile-time and runtime configuration is entirely optional. The compiler and runtime work out-of-the-box without configuration.

All configuration lives in the `Configuration` class (`com.espertech.esper.common.client.configuration.Configuration`).

The configuration class has `configure` methods that can read configuration XML and that add the information contained in the XML to the configuration. You can read multiple XML sources additively.

A configuration has three sections:

- The common section with configuration that both the compiler and the runtime may use, represented by the `ConfigurationCommon` class.
- The compiler section, which provides configuration for use only by the compiler, represented by the `ConfigurationCompiler` class.
- The runtime section, which provides configuration for use only by the runtime, represented by the `ConfigurationRuntime` class.

`Configuration` is an initialization-time object. The compiler does not retain any association back to configuration. The runtime makes a deep copy of the configuration object available (see `getConfigurationDeepCopy` on `EPRuntime`) but the configuration object cannot be changed once provided to the runtime.

17.2. Programmatic Configuration

You may obtain a `Configuration` instance by instantiating it directly and adding or setting values on it.

The following example code adds a preconfigured event type and adds an import to the common section of the configuration.

```
Configuration configuration = new Configuration();
configuration.getCommon().addEventType("PriceLimit",
    PriceLimit.class.getName());
configuration.getCommon().addImport("org.mycompany.mypackage.MyUtility");
```

The above example adds a preconfigured event type. For adding an event type at runtime please use `create schema`.

17.3. Configuration via XML File

In addition to programmatic configuration, or as an alternative approach, you may specify configuration items in XML files.

The default name for the XML configuration file is `esper.cfg.xml`. The configuration class reads this file from the root of the `CLASSPATH` as an application resource via the `configure` method.

```
Configuration configuration = new Configuration();
configuration.configure();
```

The `Configuration` class can read the XML configuration file from other sources as well. The `configure` method accepts `URL`, `File` and `String filename` parameters.

```
Configuration configuration = new Configuration();
configuration.configure("myconfigfile.esper.cfg.xml");
```

The schema for the configuration file can be found in the `etc` folder and is named `esper-configuration-majorversion-0.xsd`. The schema is available online at <http://www.espertech.com/schema/esper/esper-configuration-majorversion-0.xsd> so that a tool can fetch it automatically. The namespace is `http://www.espertech.com/schema/esper`.

You can use the XML schema file to validate that your XML configuration file is valid.

Here is an example configuration file.

```
<?xml version="1.0" encoding="UTF-8"?>
<esper-configuration xmlns:xsi="http://www.w3.org/2001/XMLSchema-instance"
  xmlns="http://www.espertech.com/schema/esper"
  xsi:schemaLocation="
http://www.espertech.com/schema/esper
http://www.espertech.com/schema/esper/esper-configuration-8-0.xsd">
  <common>
    <event-type name="PriceLimit"
class="com.espertech.esper.example.stockticker.event.PriceLimit"/>
    <auto-import import-name="org.mycompany.mypackage.MyUtility"/>
  </common>
</esper-configuration>
```

17.4. Configuration Common

The common section of the configuration applies to the compiler and also applies to the runtime.

17.4.1. Annotation Class and Package Imports

If your application has certain classes or packages that should only be visible within an @-annotation, you may add these to the annotation imports list. Such classes are only visible when used in an annotation and not elsewhere.

In a XML configuration file the auto-import-annotation configuration may look as below:

```
<esper-configuration xmlns="http://www.espertech.com/schema/esper">
  <common>
    <auto-import-annotations import-
name="com.mycompany.mypackage.myannotations.*"/>
  </common>
</esper-configuration>
```

Here is an example of providing annotation-only imports via the API:

```
Configuration config = new Configuration();
// package import, only visible for annotation use
config.getCommon().addAnnotationImport("com.mycompany.mypackage.myannotations.*");
```

17.4.2. Class and Package Imports

EPL allows invocations of static Java library functions in expressions, as outlined in [Section 10.1, "Single-Row Function Reference"](#). This configuration item can be set to allow a partial rather than a fully qualified class name in such invocations. The imports work in the same way as in Java files, so both packages and classes can be imported.

```
select Math.max(priceOne, PriceTwo)
// via configuration equivalent to
select java.lang.Math.max(priceOne, priceTwo)
```

EPL auto-imports the following Java library packages. Any additional imports that are specified in configuration files or through the API are added to the configuration in addition to the imports below.

- java.lang.*
- java.math.*
- java.text.*
- java.util.*

In a XML configuration file the auto-import configuration may look as below:

```
<esper-configuration xmlns="http://www.espertech.com/schema/esper">
  <common>
    <auto-import import-name="com.mycompany.mypackage.*"/>
    <auto-import import-name="com.mycompany.myapp.MyUtilityClass"/>
  </common>
</esper-configuration>
```

Here is an example of providing imports via the API:

```
Configuration config = new Configuration();
config.getCommon().addImport("com.mycompany.mypackage.*"); // package import
config.getCommon().addImport("com.mycompany.mypackage.MyLib"); // class import
```

17.4.3. Events Represented by Classes

This section is relevant if you want to use regular classes to represent events.

The runtime can process event objects via the `sendEventBean(Object event, String eventTypeName)` method on the `EPEventService` interface.

17.4.3.1. Bean-Style Classes

For JavaBean-style classes that have getter methods please specify an event type name and the class name or class. Interfaces and abstract classes are also supported.

The below sample XML configures an event type named `StockTick` and provides the fully-qualified class name.

```
<esper-configuration xmlns="http://www.espertech.com/schema/esper">
  <common>
    <event-type name="StockTick"
      class="com.espertech.esper.example.stockticker.event.StockTick"/>
  </common>
</esper-configuration>
```

The sample code for the configuration is:

```
Configuration configuration = new Configuration();
configuration.getCommon().addEventType("StockTick", StockTick.class.getName());
```

17.4.3.2. Non-JavaBean and Legacy Java Event Classes

You can use this setting herein when method and member variable names in your Java class do not adhere to the JavaBean convention - any public methods and public member variables can be exposed as event properties via the below configuration.

A Java class can optionally be configured with an accessor style attribute. This attribute instructs the compiler how it should expose methods and fields for use as event properties in statements.

Table 17.1. Accessor Styles

Style Name	Description
javabean	As the default setting, the compiler exposes an event property for each public method following the JavaBean getter-method conventions
public	The compiler exposes an event property for each public method and public member variable of the given class
explicit	The compiler exposes an event property only for the explicitly configured public methods and public member variables

For NEsper .NET accessor styles are `NATIVE`, `PUBLIC` and `EXPLICIT`.

Using the `public` setting for the `accessor-style` attribute instructs the compiler to expose an event property for each public method and public member variable of a Java class. The compiler assigns event property names of the same name as the name of the method or member variable in the Java class.

For example, assuming the class `MyLegacyEvent` exposes a method named `readValue` and a member variable named `myField`, you can then use properties as shown.

```
select readValue, myField from MyLegacyEvent
```

Using the `explicit` setting for the `accessor-style` attribute requires that event properties are declared via configuration. This is outlined in the next chapter.

When configuring a compiler or runtime from a XML configuration file, the XML snippet below demonstrates the use of the `legacy-type` element and the `accessor-style` attribute.

```
<esper-configuration xmlns="http://www.espertech.com/schema/esper">
  <common>
    <event-type name="MyLegacyEvent"
      class="com.mycompany.mypackage.MyLegacyEventClass">
```

```
<legacy-type accessor-style="public"/>
</event-type>
</common>
</esper-configuration>
```

When configuring an compiler or runtime via Configuration API, the sample code below shows how to set the accessor style.

```
Configuration configuration = new Configuration();
ConfigurationCommonEventTypeBean legacyDef = new
ConfigurationCommonEventTypeBean();
legacyDef.setAccessorStyle(AccessorStyle.PUBLIC);
configuration.getCommon().addEventType("MyLegacyEvent",
MyLegacyEventClass.class.getName(), legacyDef);
```

17.4.3.3. Specifying Event Properties for Java Classes

Sometimes it may be convenient to use event property names in pattern and statements that are backed up by a given public method or member variable (field) in a Java class. And it can be useful to declare multiple event properties that each map to the same method or member variable.

We can configure properties of events via `method-property` and `field-property` elements, as the next example shows.

```
<esper-configuration xmlns="http://www.espertech.com/schema/esper">
  <common>
    <event-type name="StockTick"
class="com.espertech.esper.example.stockticker.event.StockTickEvent">
      <legacy-type accessor-style="javabean" code-generation="enabled">
        <method-property name="price" accessor-method="getCurrentPrice" />
        <field-property name="volume" accessor-field="volumeField" />
      </legacy-type>
    </event-type>
  </common>
</esper-configuration>
```

The XML configuration snippet above declared an event property named `price` backed by a getter-method named `getCurrentPrice`, and a second event property named `volume` that is backed by a public member variable named `volumeField`. Thus the `price` and `volume` properties can be used in a statement:

```
select avg(price * volume) from StockTick
```


As with all configuration options, the API can also be used:

```
Configuration configuration = new Configuration();
ConfigurationCommonEventTypeBean legacyDef = new
ConfigurationCommonEventTypeBean();
legacyDef.addMethodProperty("price", "getCurrentPrice");
legacyDef.addFieldProperty("volume", "volumeField");
configuration.getCommon().addEventType("StockTick",
StockTickEvent.class.getName(), legacyDef);
```

17.4.3.4. Case Sensitivity and Property Names

By default the compiler resolves Java event properties case sensitive. That is, property names in statements must match JavaBean-convention property names in name and case. This option controls case sensitivity per Java class.

In the configuration XML, the optional `property-resolution-style` attribute in the `legacy-type` element can be set to any of these values:

Table 17.2. Property Resolution Case Sensitivity Styles

Style Name	Description
<code>case_sensitive</code> (default)	As the default setting, the compiler matches property names for the exact name and case only.
<code>case_insensitive</code>	Properties are matched if the names are identical. A case insensitive search is used and will choose the first property that matches the name exactly or the first property that matches case insensitively should no match be found.
<code>distinct_case_insensitive</code>	Properties are matched if the names are identical. A case insensitive search is used and will choose the first property that matches the name exactly case insensitively. If more than one 'name' can be mapped to the property an exception is thrown.

The sample below shows this option in XML configuration, however the setting can also be changed via API:

```
<esper-configuration xmlns="http://www.espertech.com/schema/esper">
  <common>
    <event-type name="MyLegacyEvent"
class="com.mycompany.package.MyLegacyEventClass">
      <legacy-type property-resolution-style="case_insensitive"/>
    </event-type>
  </common>
```

```
</esper-configuration>
```

17.4.3.5. Factory and Copy Method

The `insert into` clause and directly instantiate and populate your event object. By default the runtime invokes the default constructor to instantiate an event object. To change this behavior, you may configure a factory method. The factory method is a method name or a class name plus a method name (in the format `class.method`) that returns an instance of the class.

The `update` clause can change event properties on an event object. For the purpose of maintaining consistency, the runtime may have to copy your event object via serialization (implement the `java.io.Serializable` interface). If instead you do not want any copy operations to occur, or your application needs to control the copy operation, you may configure a copy method. The copy method is the name of a method on the event object that copies the event object.

The sample below shows this option in XML configuration, however the setting can also be changed via `ConfigurationCommonEventTypeBean`:

```
<esper-configuration xmlns="http://www.espertech.com/schema/esper">
  <common>
    <event-type name="MyLegacyEvent"
      class="com.mycompany.package.MyLegacyEventClass">
      <legacy-type factory-
method="com.mycompany.myapp.MySampleEventFactory.createMyLegacyTypeEvent" copy-
method="myCopyMethod" />
    </event-type>
  </common>
</esper-configuration>
```

The copy method should be a public method that takes no parameters and returns a new event object (it may not return `this`). The copy method may not be a static method and may not take parameters.

The `Beacon` data flow operator in connection with the Sun JVM can use `sun.reflect.ReflectionFactory` if the class has no default no-argument constructor.

17.4.3.6. Start and End Timestamp

For use with date-time interval methods, for example, you may let the compiler know which property of your class carries the start and end timestamp value.

The sample below shows this option in XML configuration, however the setting can also be changed via API. The sample sets the name of the property providing the start timestamp to `startts` and the name of the property providing the end timestamp `endts`:

```
<esper-configuration xmlns="http://www.espertech.com/schema/esper">
```

```

<common>
    <event-type name="MyLegacyEvent"
class="com.mycompany.package.MyLegacyEventClass">
    <legacy-type start-timestamp-property-name="startts" end-timestamp-
property-name="endts" />
    </event-type>
</common>
</esper-configuration>

```

17.4.4. Events Represented by java.util.Map

The runtime can process `java.util.Map` events via the `sendEventMap(Map map, String eventTypeName)` method on the `EPEventService` interface. Entries in the `Map` represent event properties. Please see the [Appendix E, Event Representation: java.util.Map Events](#) section for details on how to use `Map` events with the runtime.

You can provide an event type name for `Map` events.

The below snippet of XML configuration configures an event type named `MyMapEvent`.

```

<esper-configuration xmlns="http://www.espertech.com/schema/esper">
  <common>
    <event-type name="MyMapEvent">
      <java-util-map>
        <map-property name="carId" class="int"/>
        <map-property name="carType" class="string"/>
        <map-property name="assembly" class="com.mycompany.Assembly"/>
      </java-util-map>
    </event-type>
  </common>
</esper-configuration>

```

For NEsper .NET use `util-map` instead of `java-util-map`.

This configuration defines the `carId` property of `MyMapEvent` events to be of type `int`, and the `carType` property to be of type `java.util.String`. The `assembly` property of the `Map` event will contain instances of `com.mycompany.Assembly` for the runtime to query.

The valid types for the `class` attribute are listed in [Section 17.8, "Type Names"](#). In addition, any fully-qualified Java class name that can be resolved via `Class.forName` is allowed.

You can also use the configuration API to configure `Map` event types, as the short code snippet below demonstrates:

```

Map<String, Object> properties = new LinkedHashMap<String, Object>();
properties.put("carId", "int");

```

```
properties.put("carType", "string");
properties.put("assembly", Assembly.class.getName());

Configuration configuration = new Configuration();
configuration.getCommon().addEventType("MyMapEvent", properties);
```

A Map event type may also become a subtype of one or more supertypes that must also be Map event types. The `java-util-map` element provides the optional attribute `supertype-names` that accepts a comma-separated list of names of Map event types that are supertypes to the type:

```
<esper-configuration xmlns="http://www.espertech.com/schema/esper">
  <common>
    <event-type name="AccountUpdate">
      <java-util-map supertype-names="BaseUpdate, AccountEvent">
      </java-util-map>
    </event-type>
  </common>
</esper-configuration>
```

A Map event type may declare a start and end timestamp property name. The XML shown next instructs the compiler that the `startts` property carries the event start timestamp and the `endts` property carries the event end timestamp:

```
<esper-configuration xmlns="http://www.espertech.com/schema/esper">
  <common>
    <event-type name="AccountUpdate">
      <java-util-map start-timestamp-property-name="startts" end-timestamp-
property-name="endts">
      </java-util-map>
    </event-type>
  </common>
</esper-configuration>
```

For adding a type at runtime please use `create map schema`.

17.4.5. Events Represented by `Object[]` (Object-array)

The runtime can process Object-array (`Object[]`) events via the `sendEventObjectArray(Object[] array, String eventTypeName)` method on the `EPEventService` interface. Elements in the Object array represent event properties. Please see the [Appendix F, Event Representation: Object-Array \(Object\[\]\) Events](#) section for details on how to use `Object[]` events with the runtime.

The below snippet of XML configuration configures an event type named `MyObjectArrayEvent`.

```
<esper-configuration xmlns="http://www.espertech.com/schema/esper">
  <common>
    <event-type name="MyObjectArrayEvent">
      <objectarray>
        <objectarray-property name="carId" class="int"/>
        <objectarray-property name="carType" class="string"/>
        <objectarray-property name="assembly" class="com.mycompany.Assembly"/>
      </objectarray>
    </event-type>
  </common>
</esper-configuration>
```

This configuration defines the `carId` property of `MyObjectArrayEvent` events to be of type `int` and in the object array first element (`[0]`). The `carType` property to be of type `java.util.String` is expected in the second array element (`[1]`). The `assembly` property of the object array event will contain instances of `com.mycompany.Assembly` for the runtime to query in element two (`[2]`).

Note that the runtime does not verify the length and property values of object array events when your application sends object-array events into the runtime. For the example above, the proper object array would look as follows: `new Object[] {carId, carType, assembly}`.

The valid types for the `class` attribute are listed in [Section 17.8, "Type Names"](#). In addition, any fully-qualified Java class name that can be resolved via `Class.forName` is allowed.

You can also use the configuration API to configure `Object[]` event types, as the short code snippet below demonstrates:

```
String[] propertyNames = {"carId", "carType", "assembly"};
Object[] propertyTypes = {int.class, String.class, Assembly.class};

Configuration configuration = new Configuration();
configuration.getCommon().addEventType("MyObjectArrayEvent", propertyNames,
propertyTypes);
```

An Object-array event type may also become a subtype of one supertype that must also be an Object-array event type. The `objectarray` element provides the optional attribute `supertype-names` that accepts a single name of an Object-array event type that is the supertype to the type:

```
<esper-configuration xmlns="http://www.espertech.com/schema/esper">
  <common>
    <event-type name="AccountUpdate">
      <objectarray supertype-names="BaseUpdate">
      </objectarray>
    </event-type>
  </common>
```

```
</esper-configuration>
```

An Object-array event type may declare a start and end timestamp property name. The XML shown next instructs the compiler that the `startts` property carries the event start timestamp and the `endts` property carries the event end timestamp:

```
<esper-configuration xmlns="http://www.espertech.com/schema/esper">
  <common>
    <event-type name="AccountUpdate">
      <objectarray start-timestamp-property-name="startts" end-timestamp-
property-name="endts" />
    </event-type>
  </common>
</esper-configuration>
```

For adding a type at runtime please use `create objectarray schema`.

17.4.6. Events Represented by JSON

Please use `create json schema` EPL to define a JSON event type. There is no configuration API to pre-define JSON event types.

17.4.7. Events Represented by Avro `GenericData.Record`

The runtime can process Avro `GenericData.Record` events via the `sendEventAvro(GenericData.Record event, String eventTypeName)` method on the `EPEventService` interface. Please see the [Appendix H, Event Representation: Avro Events \(`org.apache.avro.generic.GenericData.Record`\)](#) section for details on how to use Avro events with the compiler and runtime.

The below snippet of XML configuration configures an event type named `MyAvroEvent`.

```
<esper-configuration xmlns="http://www.espertech.com/schema/esper">
  <common>
    <event-type name="MyAvroEvent">
      <avro schema-text="{\"type\":\"record\", \"name\":\"MyAvroEvent\", \"fields\":
[ {\"name\":\"carId\", \"type\":\"int\"}, {\"name\":\"carType\", \"type\":
{ \"type\":\"string\", \"avro.java.string\":\"String\"} } ] }" />
    </event-type>
  </common>
</esper-configuration>
```

The sample Avro schema above in pretty-print is:

```

{
  "type" : "record",
  "name" : "MyAvroEvent",
  "fields" : [ {
    "name" : "carId",
    "type" : "int"
  }, {
    "name" : "carType",
    "type" : {
      "type" : "string",
      "avro.java.string" : "String"
    }
  } ]
}

```

This schema defines:

1. A `carId` property of type `int`.
2. A `carType` property of type `string`. Note: Use the Avro-provided `avro.java.string` property to ensure it is a `java.lang.String` instance and not a `java.lang.CharSequence` instance.

Note that the runtime does not verify that Avro events are valid or that they actually match the schema provided for the Avro event type.

You can also use the configuration API to configure Avro event types, as the short code snippet below demonstrates:

```

Configuration configuration = new Configuration();
ConfigurationCommonEventTypeAvro avroType = new
  ConfigurationCommonEventTypeAvro();
avroType.setAvroSchema(schema);
configuration.getCommon().addEventTypeAvro("MyAvroType", avroType);

```

For adding a type at runtime please use `create avro schema`.

An Avro event type may also become a subtype of one supertype that must also be an Avro event type. The `avro` element provides the optional attribute `supertype-names` that accepts a single name of an Avro event type that is the supertype to the type:

```

<esper-configuration xmlns="http://www.espertech.com/schema/esper">
  <common>
    <event-type name="MyAvroEvent">
      <avro supertype-names="BaseUpdate"/>
    </event-type>
  </common>

```

```
</esper-configuration>
```

An Avro event type may declare a start and end timestamp property name. The XML shown next instructs the compiler that the `startts` property carries the event start timestamp and the `endts` property carries the event end timestamp:

```
<esper-configuration xmlns="http://www.espertech.com/schema/esper">
  <common>
    <event-type name="MyAvroEvent">
      <avro start-timestamp-property-name="startts" end-timestamp-property-
name="endts" />
    </event-type>
  </common>
</esper-configuration>
```

17.4.8. Events Represented by `org.w3c.dom.Node`

Via this configuration item, or using `create xml schema`, the runtime can natively process `org.w3c.dom.Node` instances, i.e. XML document object model (DOM) nodes. Please see the [Appendix I, Event Representation: `org.w3c.dom.Node` XML Events](#) section for details on how to use `Node` events with the compiler and runtime.

EPL allows configuring XPath expressions as event properties. You can specify arbitrary XPath functions or expressions and provide a property name by which their result values will be available for use in expressions. Use the `@XMLSchemaField` annotation with `create xml schema`.

For XML documents that follow a XML schema, the compiler and runtime can load and interrogate your schema and validate event property names and types against the schema information.

Nested, mapped and indexed event properties are also supported in expressions against `org.w3c.dom.Node` events. Thus XML trees can conveniently be interrogated using the existing event property syntax for querying JavaBean objects, JavaBean object graphs or `java.util.Map` events.

In the simplest form, the compiler only requires a configuration entry containing the root element name and the event type name in order to process `org.w3c.dom.Node` events:

```
<esper-configuration xmlns="http://www.espertech.com/schema/esper">
  <common>
    <event-type name="MyXMLNodeEvent">
      <xml-dom root-element-name="myevent" />
    </event-type>
  </common>
</esper-configuration>
```


You can also use the configuration API to configure XML event types, as the short example below demonstrates. In fact, all configuration options available through XML configuration can also be provided via setter methods on the `ConfigurationEventTypeXMLDOM` class.

```
Configuration configuration = new Configuration();
ConfigurationCommonEventTypeXMLDOM desc = new
    ConfigurationCommonEventTypeXMLDOM();
desc.setRootElementName("myevent");
desc.addXPathProperty("name1", "/element/@attribute", XPathConstants.STRING);
desc.addXPathProperty("name2", "/element/subelement", XPathConstants.NUMBER);
configuration.getCommon().addEventType("MyXMLNodeEvent", desc);
```

The equivalent to above configuration is declaring the schema via `create xml schema`:

```
@XMLSchema(rootElementName='myevent')
@XMLSchemaField(name='name1', xpath='/element/@attribute', type='string')
@XMLSchemaField(name='name2', xpath='/element/subelement', type='number')
create xml schema MyXMLNodeEvent()
```

The next example presents configuration options in a sample configuration entry.

```
<esper-configuration xmlns="http://www.espertech.com/schema/esper">
  <common>
    <event-type name="AutoIdRFIDEvent">
      <xml-dom root-element-name="Sensor" schema-resource="data/
AutoIdPmlCore.xsd"
                                     default-
namespace="urn:autoid:specification:interchange:PMLCore:xml:schema:1">
        <namespace-prefix prefix="pmlcore"
        namespace="urn:autoid:specification:interchange:PMLCore:xml:schema:1"/>
        <xpath-property property-name="countTags"
        xpath="count(/pmlcore:Sensor/pmlcore:Observation/pmlcore:Tag)"
        type="number"/>
      </xml-dom>
    </event-type>
  </common>
</esper-configuration>
```

The equivalent to above configuration is declaring the schema via `create xml schema`:

```
@XMLSchema(rootElementName='Sensor' schemaResource='data/AutoIdPmlCore.xsd',
    defaultNamespace='urn:autoid:specification:interchange:PMLCore:xml:schema:1')
```

```
@XMLSchemaNamespacePrefix(prefix='pmlcore',
    namespace='urn:autoid:specification:interchange:PMLCore:xml:schema:1')" +
XMLSchemaField(name='countTags',                xpath='/pmlcore:Sensor/
pmlcore:Observation/pmlcore:Tag)', type='number')
create xml schema AutoIdRFIDEvent()
```

This example configures an event property named `countTags` whose value is computed by an XPath expression. The namespace prefixes and default namespace are for use with XPath expressions and must also be made known to the compiler and runtime in order for the compiler/runtime to compile XPath expressions. Via the `schema-resource` attribute you can instruct the compiler/runtime to load a schema file. You may also use `schema-text` instead to provide the actual text of the schema.

17.4.8.1. Schema Resource

The `schema-resource` attribute or annotation field takes a schema resource URL or classpath-relative filename. The compiler and runtime attempts to resolve the schema resource as an URL. If the schema resource name is not a valid URL, the compiler and runtime attempts to resolve the resource from classpath via the `ClassLoader.getResource` method using the thread context class loader. If the name could not be resolved, the compiler and runtime uses the Configuration class classloader. Use the `schema-text` attribute instead when it is more practical to provide the actual text of the schema.

By providing a schema file for the compiler or runtime to load, the compiler performs these additional services:

- Validates the event properties in a statement, ensuring the event property name matches an attribute or element in the XML
- Determines the type of the event property allowing event properties to be used in type-sensitive expressions such as expressions involving arithmetic (Note: XPath properties are also typed)
- Matches event property names to either element names or attributes

If no schema resource is specified, none of the event properties specified in statements are validated at compile-time and their type defaults to `java.lang.String`. Also, attributes are not supported if no schema resource is specified and must thus be declared via XPath expression.

17.4.8.2. Explicit XPath Property

The `xpath-property` element adds explicitly-names event properties to the event type that are computed via an XPath expression. In order for the XPath expression to compile, be sure to specify the `default-namespace` attribute and use the `namespace-prefix` to declare namespace prefixes.

XPath expression properties are strongly typed. The `type` attribute allows the following values. These values correspond to those declared by `javax.xml.xpath.XPathConstants`.

- number (Note: resolves to a `double`)
- string

- boolean
- node
- nodeset

In case you need your XPath expression to return a type other than the types listed above, an optional cast-to type can be specified. If specified, the operation first obtains the result of the XPath expression as the defined type (number, string, boolean) and then casts or parses the returned type to the specified cast-to-type. At runtime, a warning message is logged if the XPath expression returns a result object that cannot be casted or parsed.

The next line shows how to return a long-type property for an XPath expression that returns a string:

```
desc.addXPathProperty("name", "/element/sub", XPathConstants.STRING, "long");
```

For use with `create xml schema` it is:

```
@XMLSchemaField(name='name',          xpath='/element/sub',          type='string',
castToType='long')
```

The equivalent configuration XML is:

```
<xpath-property  property-name="name"      xpath="/element/sub"  type="string"
cast="long"/>
```

See [Section 17.8, “Type Names”](#) for a list of cast-to type names.

17.4.8.3. Absolute or Deep Property Resolution

This setting indicates that when properties are compiled to XPath expressions that the compilation should generate an absolute XPath expression or a deep (find element) XPath expression.

For example, consider the following statement against an event type that is represented by a XML DOM document, assuming the event type `GetQuote` has been configured with the compiler as a XML DOM event type:

```
select request, request.symbol from GetQuote
```

By default, the compiler compiles the "request" property name to an XPath expression `"/GetQuote/request"`. It compiles the nested property named "request.symbol" to an XPath expression `"/GetQuote/request/symbol"`, wherein the root element node is "GetQuote".

By setting absolute property resolution to false, the compiler compiles the "request" property name to an XPath expression "//request". It compiles the nested property named "request.symbol" to an XPath expression "//request/symbol". This enables these elements to be located anywhere in the XML document.

The setting is available in XML via the attribute `resolve-properties-absolute`.

The configuration API provides the above settings as shown here in a sample code:

```
Configuration configuration = new Configuration();
ConfigurationCommonEventTypeXMLDOM desc = new
    ConfigurationCommonEventTypeXMLDOM();
desc.setRootElementName("GetQuote");
desc.setDefaultNamespace("http://services.samples/xsd");
desc.setRootElementNamespace("http://services.samples/xsd");
desc.addNamespacePrefix("m0", "http://services.samples/xsd");
desc.setXPathResolvePropertiesAbsolute(false);
configuration.getCommon().addEventType("GetQuote", desc);
```

The equivalent to above configuration is declaring the schema via `create xml schema` is:

```
@XMLSchema(rootElementName = 'GetQuote', defaultNamespace='http://
services.samples/xsd',
           rootElementNamespace='http://services.samples/xsd',
           xpathResolvePropertiesAbsolute=false)
@XmlSchemaNamespacePrefix(prefix='m0', namespace='http://services.samples/xsd')
create xml schema GetQuote()
```

17.4.8.4. XPath Variable and Function Resolver

If your XPath expressions require variables or functions, your application may provide the class name of an `XPathVariableResolver` and `XPathFunctionResolver`. At type initialization time the compiler and runtime instantiates the resolver instances and provides these to the `XPathFactory`.

This example shows the API to set this configuration.

```
ConfigurationCommonEventTypeXMLDOM desc = new
    ConfigurationCommonEventTypeXMLDOM();
desc.setXPathFunctionResolver(MyXPathFunctionResolver.class.getName());
desc.setXPathVariableResolver(MyXPathVariableResolver.class.getName());
```

This example shows the EPL annotation use:

```
@XMLSchema(xpathFunctionResolver='class name here',
  xpathVariableResolver='class name here')
```

17.4.8.5. Auto Fragment

This option is for use when a XSD schema is provided and determines whether the compiler automatically creates an event type when a property expression transposes a property that is a complex type according to the schema.

An example:

```
ConfigurationCommonEventTypeXMLDOM desc = new
  ConfigurationCommonEventTypeXMLDOM();
desc.setAutoFragment(false);
```

This example shows the EPL annotation use:

```
@XMLSchema(autoFragment=false
```

17.4.8.6. XPath Property Expression

By default the compiler and runtime employs the built-in DOM walker implementation to evaluate XPath expressions, which is not namespace-aware.

This configuration setting, when set to true, instructs the compiler to rewrite property expressions into XPath.

An example:

```
ConfigurationCommonEventTypeXMLDOM desc = new
  ConfigurationCommonEventTypeXMLDOM();
desc.setXPathPropertyExpr(true);
```

This example shows the EPL annotation use:

```
@XMLSchema(xpathPropertyExpr=true
```

17.4.8.7. Event Sender Setting

By default an `EventSender` for a given XML event type validates the root element name for which the type has been declared against the one provided by the `org.w3c.Node` sent into the runtime.

This configuration setting, when set to false, instructs an `EventSender` to not validate.

An example:

```
ConfigurationCommonEventTypeXMLDOM          desc          =          new
  ConfigurationCommonEventTypeXMLDOM();
desc.setEventSenderValidatesRoot(false);
```

This example shows the EPL annotation use:

```
@XMLSchema(eventSenderValidatesRoot=false
```

17.4.8.8. Start and End Timestamp

You may configure the name of the properties that provides the event start timestamp and the event end timestamp as part of the configuration.

An example that configures `startts` as the property name providing the start timestamp and `endts` as the property name providing the end timestamp:

```
ConfigurationCommonEventTypeXMLDOM          desc          =          new
  ConfigurationCommonEventTypeXMLDOM();
desc.setStartTimestampPropertyName("startts");
desc.setEndTimestampPropertyName("endts");
```

When using `create xml schema` the start and end timestamps are part of `create schema`.

17.4.9. Event Type Defaults

17.4.9.1. Default Event Representation

The default event representation is the Map event representation.

The default event representation is relevant when your query outputs individual properties to a listener and it does not specify a specific event representation in an annotation. The default event representation is also relevant for `create schema` and `create window`.

Note that the compiler may still use the Map representation for certain types of statements even when the default event representation is object array.

For example, consider the following statement:

```
select propertyOne, propertyTwo from MyEvent
```

Listeners to the statement above currently receive a Map-type event. By setting the configuration flag to object-array or Avro as described herein, listeners to the statement receive an Object-array-type event or an Avro-type event instead.

The XML snippet below is an example of setting the default event representation to Object-array:

```
<esper-configuration xmlns="http://www.espertech.com/schema/esper">
  <common>
    <event-meta>
      <event-representation type="objectarray"/> <!-- use "json" for JSON, use
"avro" for Avro -->
    </event-meta>
  </common>
</esper-configuration>
```

The code snippet shown next sets the default event representation to Object-array in the configuration object:

```
Configuration configuration = new Configuration();
configuration.getCommon().getEventMeta().
  setDefaultEventRepresentation(EventUnderlyingType.OBJECTARRAY);
```

17.4.9.2. Avro Settings

This configuration controls compiler settings in respect to Avro.

The `enable-avro` setting is boolean-typed and is true by default. It controls whether Avro is enabled or disabled. If disabled the compiler and runtime disallow registering Avro event types or using an Avro event representation.

The `enable-native-string` setting is boolean-typed and is true by default. It controls whether for String-type values, when the compiler generates an Avro schema, such field schema adds the property `avro.java.string` of value `String`.

The `enable-schema-default-nonnull` setting is boolean-typed and is true by default. It controls whether the compiler assembles non-null Avro schemas (true) or nullable (union) Avro schemas (false).

The `objectvalue-typewidener-factory-class` setting is a fully-qualified class name of the class implementing the

`com.espertech.esper.common.client.hook.type.ObjectValueTypeWidenerFactory` interface and is null by default. If specified the factory can provide a type widener for widening, coercing or transforming any object value to a Avro field value.

The `type-representation-mapper-class` setting is a fully-qualified class name of the class implementing the `com.espertech.esper.common.client.hook.type.TypeRepresentationMapper` interface and is null by default. If specified the implementation can provide for a given class the Avro schema for the field.

The XML snippet below is an example of Avro settings that configures the same as the default values:

```
<esper-configuration xmlns="http://www.espertech.com/schema/esper">
  <common>
    <event-meta>
      <avro-settings enable-avro="true" enable-native-string="true" enable-
schema-default-nonnull="true"
        objectvalue-typewidener-factory-class=" "
        type-representation-mapper-class=" " />
    </event-meta>
  </common>
</esper-configuration>
```

The code snippet shown next sets the default event representation to Object-array in the configuration object:

```
Configuration configuration = new Configuration();
configuration.getCommon().getEventMeta().getAvroSettings().setEnableAvro(true);
configuration.getCommon().getEventMeta().getAvroSettings().setEnableNativeString(true);
configuration.getCommon().getEventMeta().getAvroSettings().setEnableSchemaDefaultNonNull(true);
configuration.getCommon().getEventMeta().getAvroSettings().setObjectValueTypeWidenerFactoryClass(
configuration.getCommon().getEventMeta().getAvroSettings().setTypeRepresentationMapperClass(nul
```

17.4.9.3. Java Class Property Names, Case Sensitivity and Accessor Style

This allows to control case sensitivity or accessor style for all event classes as a default. The two settings are found under `class-property-resolution` under `event-meta` in the XML common configuration.

To control the case sensitivity as discussed in [Section 17.4.3.4, "Case Sensitivity and Property Names"](#), add the `style` attribute in the XML configuration to set a default case sensitivity applicable to all event classes unless specifically overridden by class-specific configuration. The default case sensitivity is `case_sensitive` (case sensitivity turned on).

To control the accessor style as discussed in [Section 17.4.3.2, “Non-JavaBean and Legacy Java Event Classes”](#), add the `accessor-style` attribute in the XML configuration to set a default accessor style applicable to all event classes unless specifically overridden by class-specific configuration. The default accessor style is `javabean` JavaBean accessor style.

The next code snippet shows how to control this feature via the API:

```
Configuration config = new Configuration();
config.getCommon().getEventMeta().setClassPropertyResolutionStyle(
    PropertyResolutionStyle.CASE_INSENSITIVE);
config.getCommon().getEventMeta().setDefaultAccessorStyle(
    AccessorStyle.PUBLIC);
```

17.4.10. Event Type Import Package (Event Type Auto-Name)

Via this configuration an application can make the Java package or packages that contain an application's Java event classes known. Thereby an application can use `create schema name` as `simple-classname` and the compiler can find the class.

The XML configuration for defining the Java packages that contain Java event classes is:

```
<esper-configuration xmlns="http://www.espertech.com/schema/esper">
  <common>
    <event-type-auto-name package-name="com.mycompany.order.event" />
  </common>
</esper-configuration>
```

The same configuration but using the `Configuration` class:

```
Configuration config = new Configuration();
config.getCommon().addEventTypeAutoName("com.mycompany.order.event");
// ... or ...
config.getCommon().addEventTypeAutoName(MyEvent.getPackage().getName());
```

17.4.11. From-Clause Method Invocation

Method invocations are allowed in the `from` clause in EPL, such that your application may join event streams to the data returned by a web service, or to data read from a distributed cache or object-oriented database, or obtain data by other means. A local cache may be placed in front of such method invocations through the configuration settings described herein.

The LRU cache is described in detail in [Section 17.4.12.6.1, “LRU Cache”](#). The expiry-time cache documentation can be found in [Section 17.4.12.6.2, “Expiry-Time Cache”](#)

The next XML snippet is a sample cache configuration that applies to methods provided by the classes 'MyFromClauseLookupLib' and 'MyFromClauseWebServiceLib'. The XML and API configuration understand both the fully-qualified Java class name, as well as the simple class name:

```
<esper-configuration xmlns="http://www.espertech.com/schema/esper">
  <common>
    <method-reference class-name="com.mycompany.MyFromClauseLookupLib">
      <expiry-time-cache max-age-seconds="10" purge-interval-seconds="10" ref-
type="weak" />
    </method-reference>
    <method-reference class-name="MyFromClauseWebServiceLib">
      <lru-cache size="1000" />
    </method-reference>
  </common>
</esper-configuration>
```

17.4.12. Relational Database Access

For NEsper .NET also see [Section J.17, “.NET Configurations - Relational Database Access”](#).

EPL has the capability to join event streams against historical data sources, such as a relational database. This section describes the configuration entries that the compiler or runtime require to access data stored in your database. Please see [Section 5.13, “Accessing Relational Data via SQL”](#) for information on the use of EPL queries that include historical data sources.

EPL queries that poll data from a relational database specify the name of the database as part of the statement. The compiler and runtime use the configuration information described here to resolve the database name in the statement to database settings. The required and optional database settings are summarized below.

- Database connections can be obtained via JDBC `javax.xml.DataSource`, via `java.sql.DriverManager` and via data source factory. Either one of these methods to obtain database connections is a required configuration.
- Optionally, JDBC connection-level settings such as auto-commit, transaction isolation level, read-only and the catalog name can be defined.
- Optionally, a connection lifecycle can be set to indicate to the runtime whether the runtime must retain connections or must obtain a new connection for each lookup and close the connection when the lookup is done (pooled).
- Optionally, define a cache policy to allow the runtime to retrieve data from a query cache, reducing the number of query executions.

Some of the settings can have important performance implications that need to be carefully considered in relationship to your database software, JDBC driver and runtime environment. This section attempts to outline such implications where appropriate.

The sample XML configuration file in the "etc" folder can be used as a template for configuring database settings. All settings are also available by means of the configuration API through the classes `Configuration` and `ConfigurationDBRef`.

17.4.12.1. Connections Obtained via DataSource

This configuration causes the compiler or runtime to obtain a database connection from a `javax.sql.DataSource` available from your JNDI provider.

The setting is most useful when running within an application server or when a JNDI directory is otherwise present in your Java VM. If your application environment does not provide an available `DataSource`, the next section outlines how to use Apache DBCP as a `DataSource` implementation with connection pooling options and outlines how to use a custom factory for `DataSource` implementations.

If your `DataSource` provides connections out of a connection pool, your configuration should set the collection lifecycle setting to `pooled`.

The snippet of XML below configures a database named `mydb1` to obtain connections via a `javax.sql.DataSource`. The `datasource-connection` element instructs the runtime to obtain new connections to the database `mydb1` by performing a lookup via `javax.naming.InitialContext` for the given object lookup name. Optional environment properties for the `InitialContext` are also shown in the example.

```
<esper-configuration xmlns="http://www.espertech.com/schema/esper">
  <common>
    <database-reference name="mydb1">
      <datasource-connection context-lookup-name="java:comp/env/jdbc/mydb">
        <env-property name="java.naming.factory.initial" value
="com.myclass.CtxFactory"/>
        <env-property name="java.naming.provider.url" value ="iiop://
localhost:1050"/>
      </datasource-connection>
    </database-reference>
  </common>
</esper-configuration>
```

To help you better understand how the runtime uses this information to obtain connections, please look at the logic below.

```
if (envProperties.size() > 0) {
  initialContext = new InitialContext(envProperties);
}
else {
  initialContext = new InitialContext();
}
```

```
DataSource dataSource = (DataSource) initialContext.lookup(lookupName);
Connection connection = dataSource.getConnection();
```

In order to plug-in your own implementation of the `DataSource` interface, your application may use an existing JNDI provider as provided by an application server if running in a J2EE environment.

In case your application does not have an existing JNDI implementation to register a `DataSource` to provide connections, you may set the `java.naming.factory.initial` property in the configuration to point to your application's own implementation of the `javax.naming.spi.InitialContextFactory` interface that can return your application `DataSource` through the `javax.naming.Context` provided by the factory implementation. Please see [Java Naming and Directory Interface \(JNDI\) API documentation](#) for further information.

17.4.12.2. Connections Obtained via DataSource Factory

This section describes how to use [Apache Commons Database Connection Pooling \(Apache DBCP\)](#) [<http://commons.apache.org/dbcp/>]. It explains how to provide a custom application-specific `DataSource` factory if not using Apache DBCP.

If your `DataSource` provides connections out of a connection pool, your configuration should set the collection lifecycle setting to `pooled`.

Apache DBCP provides comprehensive means to test for dead connections or grow and shrink a connection pool. Configuration properties for Apache DBCP can be found at [Apache DBCP configuration](#) [<http://commons.apache.org/dbcp/configuration.html>]. The listed properties are passed to Apache DBCP via the properties list provided as part of the configuration.

The snippet of XML below is an example that configures a database named `mydb3` to obtain connections via the pooling `DataSource` provided by Apache DBCP `BasicDataSourceFactory`.

The listed properties are passed to DBCP to instruct DBCP how to manage the connection pool. The settings below initialize the connection pool to 2 connections and provide the validation query `select 1 from dual` for DBCP to validate a connection before providing a connection from the pool:

```
<esper-configuration xmlns="http://www.espertech.com/schema/esper">
  <common>
    <database-reference name="mydb3">
      <!-- For a complete list of properties see Apache DBCP. -->
      <!-- NOTE: "dbcp2" applies to api-2.0 of DBCP, use "dbcp" otherwise. -->
      <datasourcefactory-connection class-
name="org.apache.commons.dbcp2.BasicDataSourceFactory">
        <env-property name="username" value="myusername"/>
        <env-property name="password" value="mypassword"/>
        <env-property name="driverClassName" value="com.mysql.jdbc.Driver"/>
        <env-property name="url" value="jdbc:mysql://localhost/test"/>
      </datasourcefactory-connection>
    </database-reference>
  </common>
</esper-configuration>
```

```

    <env-property name="initialSize" value = "2"/>
    <env-property name="validationQuery" value = "select 1 from dual"/>
  </datasourcefactory-connection>
  <connection-lifecycle value="pooled"/>
</database-reference>
</common>
</esper-configuration>

```

The same configuration options provided through the API:

```

Properties props = new Properties();
props.put("username", "myusername");
props.put("password", "mypassword");
props.put("driverClassName", "com.mysql.jdbc.Driver");
props.put("url", "jdbc:mysql://localhost/test");
props.put("initialSize", 2);
props.put("validationQuery", "select 1 from dual");

ConfigurationCommonDBRef configDB = new ConfigurationCommonDBRef();
// BasicDataSourceFactory is an Apache DBCP import
configDB.setDataSourceFactory(props, BasicDataSourceFactory.class.getName());
configDB.setConnectionLifecycleEnum(ConfigurationCommonDBRef.ConnectionLifecycleEnum.POOLED);

Configuration configuration = new Configuration();
configuration.getCommon().addDatabaseReference("mydb3", configDB);

```

Apache Commons DBCP is a separate download and not provided as part of the distribution. The Apache Commons DBCP jar file requires the Apache Commons Pool jar file.

Your application can provide its own factory implementation for `DataSource` instances: Set the class name to the name of the application class that provides a public static method named `createDataSource` which takes a single `Properties` object as parameter and returns a `DataSource` implementation. For example:

```

configDB.setDataSourceFactory(props, MyOwnDataSourceFactory.class.getName());
...
class MyOwnDataSourceFactory {
    public static DataSource createDataSource(Properties properties) {
        return new MyDataSourceImpl(properties);
    }
}

```

17.4.12.3. Connections Obtained via DriverManager

The next snippet of XML configures a database named `mydb2` to obtain connections via `java.sql.DriverManager`. The `drivermanager-connection` element instructs the runtime to obtain new connections to the database `mydb2` by means of `Class.forName` and `DriverManager.getConnection` using the class name, URL and optional username, password and connection arguments.

```
<esper-configuration xmlns="http://www.espertech.com/schema/esper">
  <common>
    <database-reference name="mydb2">
      <drivermanager-connection class-name="my.sql.Driver"
        url="jdbc:mysql://localhost/test?user=root&password=mypassword"
        user="myuser" password="mypassword">
        <connection-arg name="user" value="myuser"/>
        <connection-arg name="password" value="mypassword"/>
        <connection-arg name="somearg" value="someargvalue"/>
      </drivermanager-connection>
    </database-reference>
  </common>
</esper-configuration>
```

The username and password are shown in multiple places in the XML only as an example. Please check with your database software on the required information in URL and connection arguments.

17.4.12.4. Connections-Level Settings

Additional connection-level settings can optionally be provided to the runtime which the runtime will apply to new connections. When the runtime obtains a new connection, it applies only those settings to the connection that are explicitly configured. The runtime leaves all other connection settings at default values.

The below XML is a sample of all available configuration settings. Please refer to the Java API JavaDocs for `java.sql.Connection` for more information to each option or check the documentation of your JDBC driver and database software.

```
<esper-configuration xmlns="http://www.espertech.com/schema/esper">
  <common>
    <database-reference name="mydb2">
      <!-- ... configure data source or driver manager settings... -->
      <connection-settings auto-commit="true" catalog="mycatalog"
        read-only="true" transaction-isolation="1" />
    </database-reference>
  </common>
</esper-configuration>
```

The `read-only` setting can be used to indicate to your database runtime that SQL statements are read-only. The `transaction-isolation` and `auto-commit` help you database software perform the right level of locking and lock release. Consider setting these values to reduce transactional overhead in your database queries.

17.4.12.5. Connections Lifecycle Settings

By default the runtime retains a separate database connection for each started statement. However, it is possible to override this behavior and require the runtime to obtain a new database connection for each lookup, and to close that database connection after the lookup is completed. This often makes sense when you have a large number of statements and require pooling of connections via a connection pool.

In the `pooled` setting, the runtime obtains a database connection from the data source or driver manager for every query, and closes the connection when done, returning the database connection to the pool if using a pooling data source.

In the `retain` setting, the runtime retains a separate dedicated database connection for each statement and does not close the connection between uses.

The XML for this option is below. The connection lifecycle allows the following values: `pooled` and `retain`.

```
<esper-configuration xmlns="http://www.espertech.com/schema/esper">
  <common>
    <database-reference name="mydb2">
      <!-- ... configure data source or driver manager settings... -->
      <connection-lifecycle value="pooled"/>
    </database-reference>
  </common>
</esper-configuration>
```

17.4.12.6. Cache Settings

Cache settings can dramatically reduce the number of database queries that the runtime executes for statements. If no cache setting is specified, the runtime does not cache query results and executes a separate database query for every event.

Caches store the results of database queries and make these results available to subsequent queries using the exact same query parameters as the query for which the result was stored. If your query returns one or more rows, the cache keep the result rows of the query keyed to the parameters of the query. If your query returns no rows, the cache also keeps the empty result. Query results are held by a cache until the cache entry is evicted. The strategies available for evicting cached query results are listed next.

17.4.12.6.1. LRU Cache

The least-recently-used (LRU) cache is configured by a maximum size. The cache discards the least recently used query results first once the cache reaches the maximum size.

The XML configuration entry for a LRU cache is as below. This entry configures an LRU cache holding up to 1000 query results.

```
<esper-configuration xmlns="http://www.espertech.com/schema/esper">
  <common>
    <database-reference name="mydb">
      <!-- ... configure data source or driver manager settings... -->
      <lru-cache size="1000"/>
    </database-reference>
  </common>
</esper-configuration>
```

17.4.12.6.2. Expiry-Time Cache

The expiry time cache is configured by a maximum age in seconds, a purge interval and an optional reference type. The cache discards (on the get operation) any query results that are older than the maximum age so that stale data is not used. If the cache is not empty, then every purge interval number of seconds the runtime purges any expired entries from the cache.

The XML configuration entry for an expiry-time cache is as follows. The example configures an expiry time cache in which prior query results are valid for 60 seconds and which the runtime inspects every 2 minutes to remove query results older than 60 seconds.

```
<esper-configuration xmlns="http://www.espertech.com/schema/esper">
  <common>
    <database-reference name="mydb">
      <!-- ... configure data source or driver manager settings... -->
      <expiry-time-cache max-age-seconds="60" purge-interval-seconds="120" />
    </database-reference>
  </common>
</esper-configuration>
```

By default, the expiry-time cache is backed by a `java.util.WeakHashMap` and thus relies on weak references. That means that cached SQL results can be freed during garbage collection.

Via XML or using the configuration API the type of reference can be configured to not allow entries to be garbage collected, by setting the `ref-type` property to `hard`:

```
<esper-configuration xmlns="http://www.espertech.com/schema/esper">
  <common>
```



```

<database-reference name="mydb">
  <!-- ... configure data source or driver manager settings... -->
    <expiry-time-cache max-age-seconds="60" purge-interval-seconds="120"
ref-type="hard"/>
  </database-reference>
</common>
</esper-configuration>

```

The last setting for the cache reference type is `soft`: This strategy allows the garbage collection of cache entries only when all other weak references have been collected.

17.4.12.7. Column Change Case

This setting instructs the compiler to convert to lower- or uppercase any output column names returned by your database system. When using Oracle relational database software, for example, column names can be changed to lowercase via this setting.

A sample XML configuration entry for this setting is:

```

<esper-configuration xmlns="http://www.espertech.com/schema/esper">
  <common>
    <database-reference name="mydb">
      <!-- ... configure data source or driver manager settings... -->
        <column-change-case value="lowercase"/>
      </database-reference>
    </common>
  </esper-configuration>

```

17.4.12.8. SQL Types Mapping

For NEsper .NET this section is not applicable.

By providing a mapping of SQL types (`java.sql.Types`) to Java built-in types your code can avoid using sometimes awkward default database types and can easily change the way the compiler returns Java types for columns returned by a SQL query.

The mapping maps a constant as defined by `java.sql.Types` to a Java built-in type of any of the following Java type names: `String`, `BigDecimal`, `Boolean`, `Byte`, `Short`, `Int`, `Long`, `Float`, `Double`, `ByteArray`, `SqlDate`, `SqlTime`, `SqlTimestamp`. The Java type names are not case-sensitive.

A sample XML configuration entry for this setting is shown next. The sample maps `Types.NUMERIC` which is a constant value of 2 per JDBC API to the Java `int` type.

```

<esper-configuration xmlns="http://www.espertech.com/schema/esper">

```

```
<common>
  <database-reference name="mydb">
    <!-- ... configure data source or driver manager settings... -->
    <sql-types-mapping sql-type="2" java-type="int" />
  </database-reference>
</common>
</esper-configuration>
```

17.4.12.9. Metadata Origin

This setting controls how the compiler retrieves SQL statement metadata from JDBC prepared statements.

Table 17.3. Syntax and Results of Aggregate Functions

Option	Description
default	By default, the compiler detects the driver name and queries prepared statement metadata if the driver is not an Oracle database driver. For Oracle drivers, the compiler uses lexical analysis of the SQL statement to construct a sample SQL statement and then fires that statement to retrieve statement metadata.
metadata	The compiler always queries prepared statement metadata regardless of the database driver used.
sample	The compiler always uses lexical analysis of the SQL statement to construct a sample SQL statement, and then fires that statement to retrieve statement metadata.

17.4.13. Common Settings Related to Logging

17.4.13.1. Query Plan Logging

By default, the compiler does not produce query plan output unless logging at debug-level. To enable query plan logging, set this option in the configuration. When enabled, the compiler reports, at INFO level, any query plans under the log name `com.espertech.esper.queryplan`.

Query plan logging is applicable to subqueries, joins (any type), named window and table on-actions (on-select, on-merge, on-insert, on-update, on-select) and fire-and-forget queries. It is not applicable and will not provide additional information for other types of constructs.

The API to use to enable query plan logging is shown here:

```
Configuration config = new Configuration();
config.getCommon().getLogging().setEnableQueryPlan(true);
```

The XML snippet is:

```
<esper-configuration xmlns="http://www.espertech.com/schema/esper">
  <common>
    <logging>
      <query-plan enabled="true"/>
    </logging>
  </common>
</esper-configuration>
```

17.4.13.2. JDBC Logging

By default, the compiler and runtime does not measure JDBC query execution times or report the number of rows returned from a JDBC query through logging. To enable JDBC logging, set this option in the configuration. When enabled, the compiler and runtime report, at INFO level, any JDBC query performance and number of rows returned under the log name `com.espertech.esper.jdbc`.

The API to use to enable JDBC query logging is shown here:

```
Configuration config = new Configuration();
config.getCommon().getLogging().setEnableJDBC(true);
```

The XML snippet is:

```
<esper-configuration xmlns="http://www.espertech.com/schema/esper">
  <common>
    <logging>
      <jdbc enabled="true"/>
    </logging>
  </common>
</esper-configuration>
```

17.4.14. Common Settings Related to Time Source

17.4.14.1. Time Unit

The default time unit of time resolution is milliseconds. Your application may set the time resolution to microseconds instead.

A sample XML configuration for millisecond time resolution is:

```
<esper-configuration xmlns="http://www.espertech.com/schema/esper">
```

```
<common>
  <time-source>
    <time-unit value="milliseconds"/>
  </time-source>
</common>
</esper-configuration>
```

The equivalent code snippet using the configuration API is here:

```
Configuration config = new Configuration();
config.getCommon().getTimeSource().setTimeUnit(TimeUnit.MILLISECONDS);
```

17.4.15. Variables

Variables can be created dynamically in EPL via the `create variable` syntax but can also be configured.

A variable is declared by specifying a variable name, the variable type, an optional initialization value and an optional boolean-type flag indicating whether the variable is a constant (false by default). The initialization value can be of the same or compatible type as the variable type, or can also be a String value that, when parsed, is compatible to the type declared for the variable. Declare each variable a constant to achieve the best performance.

In a XML configuration file the variable configuration may look as below.

```
<esper-configuration xmlns="http://www.espertech.com/schema/esper">
  <common>
    <variable name="var_threshold" type="long" initialization-value="100"/>
    <variable name="var_key" type="string"/>
    <variable name="test" type="int" constant="true"/>
  </common>
</esper-configuration>
```

Please find the list of valid values for the `type` attribute in [Section 17.8, "Type Names"](#).

17.4.16. Variant Stream

A *variant stream* is a predefined stream into which events of multiple disparate event types can be inserted, and which can be selected from in patterns and the `from` clause.

The name of the variant stream and, optionally, the type of events that the stream may accept, are part of the stream definition. By default, the variant stream accepts only the predefined event types. The compiler validates your `insert into` clause which inserts into the variant stream against the predefined types.

A variant stream can be set to accept any type of event, in which case all properties of the variant stream are effectively dynamic properties. Set the `type variance` flag to `ANY` to indicate the variant stream accepts any type of event.

The following XML configuration defines a variant stream by name `OrderStream` that carries only `PartsOrder` and `ServiceOrder` events:

```
<esper-configuration xmlns="http://www.espertech.com/schema/esper">
  <common>
    <variant-stream name="OrderStream">
      <variant-event-type name="PartsOrder"/>
      <variant-event-type name="ServiceOrder"/>
    </variant-stream>
  </common>
</esper-configuration>
```

This code snippet sets up a variant stream by name `OutgoingEvent`:

```
Configuration config = new Configuration();
ConfigurationCommonVariantStream variant = new
ConfigurationCommonVariantStream();
variant.setTypeVariance(ConfigurationCommonVariantStream.TypeVariance.ANY);
config.getCommon().addVariantStream("OutgoingEvent", variant);
```

If specifying variant event type names, make sure such names have been configured for `JavaBean`, `Map` or `XML` events.

17.5. Configuration Compiler

17.5.1. Compiler Settings Related to Byte Code Generation

17.5.1.1. Byte Code General Settings

The setting `include-debugsymbols` is false by default. It controls whether the compiler generates debug symbols as part of the binary class.

The setting `include-comments` is false by default. It controls whether the compiler generates code that contains additional information to help tracing back generated code to the code that generated it.

The setting `attach-epl` is true by default. It controls whether the compiler adds the statement text of the statement to statement properties.

The setting `attach-module-epl` is false by default. It controls whether the compiler adds the EPL module text of the module to module properties.

The setting `allow-subscriber` is `false` by default. It controls whether the compiler adds code for handling subscribers. If this flag is `false` the `setSubscriber` method on the `EPStatement` class throws an exception.

The setting `allow-inlined-class` is `true` by default. It controls whether the compiler allows inlined-classes. If this flag is `false` the compiler throws an exception upon encountering an inlined-class.

The setting `threadpool-compiler-num-threads` sets the number of threads for compiling a statement to byte code and is eight (8) by default. Setting this value to zero disables multi-threading for compilation. When the number of threads is greater zero the calling thread generates classes for statements and the thread pool compiles statement classes to byte code. This setting improves compilation performance only when a module has multiple statements as the unit of parallelization is the statement. The setting `threadpool-compiler-capacity` defines the number of permits (capacity of the queue) for compiling statements to byte code and is unbound by default. Use `null` to represent unbound. The minimum value for capacity is one.

The setting `max-methods-per-class` sets the maximum number of methods in a class or inner class. This value defaults to 16384 (16k). This setting exists as the JVM limits the constant pool for each class to 64k. Among other things the JVM class constant pool contains method information. Therefore, for large EPL expressions, the compiler attempts to not exceed this JVM limit. Upon finding a class that exceeds the configured maximum number of methods the compiler moves methods into an additional class or multiple additional classes. The minimum value for this setting is 1000. If this value is too large you may see a compilation message such as `Constant pool for class has grown past JVM limit of 0xFFFF`.

The sample code below sets the same values as the default values:

```
Configuration configuration = new Configuration();
ConfigurationCompilerByteCode byteCode = configuration.getCompiler().getByteCode();
byteCode.setIncludeDebugSymbols(false);
byteCode.setIncludeComments(false);
byteCode.setAttachEPL(true);
byteCode.setAttachModuleEPL(false);
byteCode.setAllowSubscriber(false);
byteCode.setAllowInlinedClass(false);
byteCode.setInstrumented(false);
byteCode.setThreadPoolCompilerNumThreads(8);
byteCode.setThreadPoolCompilerCapacity(null);
byteCode.setMaxMethodsPerClass(16*1024);
```

The sample XML configuration below also sets default values:

```
<esper-configuration xmlns="http://www.espertech.com/schema/esper">
  <compiler>
```

```

<bytecode
  include-comments="false"
  include-debugsymbols="false"
  attach-epl="true"
  attach-module-epl="false"
  instrumented="false"
  allow-subscriber="false"
  allow-inlined-class="true"
  threadpool-compiler-num-threads="8"
  max-methods-per-class="16384"/>
</compiler>
</esper-configuration>
    
```

17.5.1.2. Byte Code Modifier Settings

Access modifiers default to `private` and are listed here. You may also use the `@private`, `@protected` and `@public` annotations or the `CompilerOptions` object to set access modifiers.

Table 17.4. Byte Code Access Modifiers

Name	Description
<code>access-modifier-context</code>	Whether contexts that may be declared by the module are visible to other modules.
<code>access-modifier-eventtype</code>	Whether event types that may be declared by the module are visible to other modules.
<code>access-modifier-expression</code>	Whether expressions that may be declared by the module are visible to other modules.
<code>access-modifier-namedwindow</code>	Whether named windows that may be declared by the module are visible to other modules.
<code>access-modifier-script</code>	Whether scripts that may be declared by the module are visible to other modules.
<code>access-modifier-table</code>	Whether tables that may be declared by the module are visible to other modules.
<code>access-modifier-variables</code>	Whether variables that may be declared by the module are visible to other modules.

The setting `bus-modifier-event-type` is set to `nonbus` by default. This means that any of the `sendEventType` method of `EPEventService` cannot be used to process events of that event type. Set this value to `bus` to indicate that the respective `sendEventType` method of `EPEventService` can process events of event types declared by the module (`sendEventType` throws an exception if it does not find a visible event type). You may also use the `@buseventtype` annotation or the `CompilerOptions` object to set bus event type visibility.

The sample code below sets the same values as the default values:

```
Configuration configuration = new Configuration();
ConfigurationCompilerByteCode bytecode =
    configuration.getCompiler().getByteCode();
byteCode.setAccessModifierContext(NameAccessModifier.PRIVATE);
byteCode.setAccessModifierEventType(NameAccessModifier.PRIVATE);
byteCode.setAccessModifierNamedWindow(NameAccessModifier.PRIVATE);
byteCode.setAccessModifierScript(NameAccessModifier.PRIVATE);
byteCode.setAccessModifierTable(NameAccessModifier.PRIVATE);
byteCode.setAccessModifierVariable(NameAccessModifier.PRIVATE);
byteCode.setBusModifierEventType(EventTypeBusModifier.NONBUS);
```

The sample XML configuration below also sets default values:

```
<esper-configuration xmlns="http://www.espertech.com/schema/esper">
  <compiler>
    <bytecode
      access-modifier-context="private"
      access-modifier-event-type="private"
      access-modifier-expression="private"
      access-modifier-named-window="private"
      access-modifier-script="private"
      access-modifier-table="private"
      access-modifier-variable="private"
      bus-modifier-event-type="nonbus"
    />
  </compiler>
</esper-configuration>
```

17.5.2. Compiler Settings Related to View Resources

17.5.2.1. Iterator Behavior For Unbound Streams

By default, when using the iterator API to iterate a statement with an unbound stream the runtime returns an empty iterator.

To have the runtime return the last event instead, please use the `@IterableUnbound` statement annotation or enable the compiler setting as described herein.

A code sample that turns iterable-unbound on is:

```
Configuration config = new Configuration();
config.getCompiler().getViewResources().setIterableUnbound(true);
```


17.5.2.2. Configuring Output Rate Limiting Options

This flag impacts output rate limiting as further outlined in [Appendix B, Runtime Considerations for Output Rate Limiting](#). The flag serves to control the default behavior for output rate limiting for all statements that do not specify a hint.

If set to true (the default), all statements behave as if they hint `@Hint('enable_outputlimit_opt')`.

If set to false, all statements behave as if they hint `@Hint('disable_outputlimit_opt')`.

For example:

```
Configuration config = new Configuration();
config.getCompiler().getViewResources().setOutputLimitOpt(true);
```

17.5.3. Compiler Settings Related to Logging

17.5.3.1. Byte Code Generation Logging

By enabling this setting the compiler logs byte code generation information at INFO level. This setting is disabled by default.

The API to use to enable logging for generated code is shown here:

```
Configuration config = new Configuration();
config.getCompiler().getLogging().setEnableCode(true);
```

The XML snippet is:

```
<esper-configuration xmlns="http://www.espertech.com/schema/esper">
  <compiler>
    <logging>
      <code enabled="true"/>
    </logging>
  </compiler>
</esper-configuration>
```

17.5.3.2. Filter Plan Logging

The compiler analyzes filter expressions and plans filter indexes. This setting instructs the compiler to log filter plans. The flag is false by default and if set to true the compiler outputs filter plans to log at INFO level.

An API code snippet to turn on filter plan logging is:

```
Configuration config = new Configuration();
config.getCompiler().getLogging().setEnableFilterPlan(true);
```

The XML snippet is:

```
<esper-configuration xmlns="http://www.espertech.com/schema/esper">
  <compiler>
    <logging>
      <filter-plan enabled="true"/>
    </logging>
  </compiler>
</esper-configuration>
```

17.5.4. Compiler Settings Related to Stream Selection

17.5.4.1. Default Statement Stream Selection

Statements can produce both insert stream (new data) and remove stream (old data) results. Remember that insert stream refers to arriving events and new aggregation values, while remove stream refers to events leaving data windows and prior aggregation values. By default, the runtime delivers only the insert stream to listeners and observers of a statement.

There are keywords in the `select` clause that instruct the runtime to not generate insert stream and/or remove stream results if your application does not need either one of the streams. These keywords are the `istream`, `rstream` and the `irstream` keywords.

By default, the runtime only generates insert stream results equivalent to using the optional `istream` keyword in the `select` clause. If your application requires insert and remove stream results for many statements, your application can add the `irstream` keyword to the `select` clause of each statement, or you can set a new default stream selector via this setting.

The XML configuration for this setting is shown below:

```
<esper-configuration xmlns="http://www.espertech.com/schema/esper">
  <compiler>
    <stream-selection>
      <stream-selector value="irstream" />
    </stream-selection>
  </compiler>
</esper-configuration>
```

The equivalent code snippet using the configuration API is here:

```
Configuration config = new Configuration();
config.getCompiler().getStreamSelection()
    .setDefaultStreamSelector(StreamSelector.RSTREAM_ISTREAM_BOTH);
```

17.5.5. Compiler Settings Related to Language and Locale

Locale-dependence in the compiler can be present in the sort order of string values by the `order by` clause and by the sort window.

By default, the runtime sorts string values using the `compare` method that is not locale dependent. To enable local dependent sorting you must set the configuration flag as described below.

The XML configuration sets the locale dependent sorting as shown below:

```
<esper-configuration xmlns="http://www.espertech.com/schema/esper">
  <compiler>
    <language sort-using-collator="true"/>
  </compiler>
</esper-configuration>
```

The API to change the setting:

```
Configuration config = new Configuration();
config.getCompiler().getLanguage().setSortUsingCollator(true);
```

17.5.6. Compiler Settings Related to Expression Evaluation

17.5.6.1. Integer Division and Division by Zero

By default the compiler returns double-typed values for divisions regardless of operand types. Division by zero returns positive or negative double infinity.

To have compiler use Java-standard integer division instead, use this setting as described here. In Java integer division, when dividing integer types, the result is an integer type. This means that if you divide an integer unevenly by another integer, it returns the whole number part of the result, does not perform any rounding and the fraction part is dropped. If Java-standard integer division is enabled, when dividing an integer numerator by an integer denominator, the result is an integer number. Thus the expression `1 / 4` results in an integer zero. Your EPL must then convert at least one of the numbers to a double value before the division, for example by specifying `1.0 / 4` or by using `cast(myint, double)`.

When using Java integer division, division by zero for integer-typed operands always returns null. However division by zero for double-type operands still returns positive or negative double infinity.

To also return null upon division by zero for double-type operands, set the flag to true as below (default is false).

The XML configuration is as follows:

```
<esper-configuration xmlns="http://www.espertech.com/schema/esper">
  <compiler>
    <expression integer-division="false" division-by-zero-is-null="false"/>
  </compiler>
</esper-configuration>
```

The API to change the setting:

```
Configuration config = new Configuration();
config.getCompiler().getExpression().setIntegerDivision(true);
config.getCompiler().getExpression().setDivisionByZeroReturnsNull(true);
```

17.5.6.2. User-Defined Function or Static Method Cache

By default runtime caches the result of an user-defined function if the parameter set to that function is empty or all parameters are constant values. Results of custom plug-in single-row functions are not cached according to the default configuration, unless the single-row function is explicitly configured with value cache enabled.

To have runtime evaluate the user-defined function regardless of constant parameters, set the flag to false as indicated herein.

The XML configuration as below sets the same as the default value:

```
<esper-configuration xmlns="http://www.espertech.com/schema/esper">
  <compiler>
    <expression udf-cache="true"/>
  </compiler>
</esper-configuration>
```

17.5.6.3. Extended Built-in Aggregation Functions

By default EPL provides a number of additional aggregation functions over the SQL standards. To have the compiler only allow the standard SQL aggregation functions and not the additional ones, disable the setting as described here.

The XML configuration as below sets the same as the default value:

```
<esper-configuration xmlns="http://www.espertech.com/schema/esper">
  <compiler>
    <expression extended-agg="true"/>
  </compiler>
</esper-configuration>
```

17.5.6.4. Duck Typing

By default the compiler validates method references when using the dot operator syntax at time of compilation. With duck typing, the compiler resolves method references at runtime.

The XML configuration as below sets the same as the default value:

```
<esper-configuration xmlns="http://www.espertech.com/schema/esper">
  <compiler>
    <expression ducktyping="false"/>
  </compiler>
</esper-configuration>
```

17.5.6.5. Math Context

By default, when computing the average of `BigDecimal` values, the compiler does not pass a `java.math.MathContext`. Use the setting herein to specify a default math context.

The below XML configuration sets precision to 2 and rounding mode ceiling:

```
<esper-configuration xmlns="http://www.espertech.com/schema/esper">
  <compiler>
    <expression math-context="precision=2 roundingMode=CEILING"/>
  </compiler>
</esper-configuration>
```

An example API configuration is shown next:

```
Configuration config = new Configuration();
config.getCompiler().getExpression().setMathContext(MathContext.UNLIMITED);
```

17.5.7. Compiler Settings Related to Scripts

You may configure a default script dialect as described herein. The default script dialect is `js` which stands for JavaScript, since most JVM ship with an integrated JavaScript execution runtime.

The default value for the `enabled` setting is `true` thus the compiler allows scripts. By setting `enabled` to `false` the compiler disallows script use entirely.

A sample XML configuration for this setting is shown below:

```
<esper-configuration xmlns="http://www.espertech.com/schema/esper">
  <compiler>
    <scripts default-dialect="js" enabled="true"/>
  </compiler>
</esper-configuration>
```

A sample code snippet that sets a new script dialect is:

```
Configuration config = new Configuration();
config.getCompiler().getScripts().setDefaultDialect("js");
config.getCompiler().getScripts().setEnabled(true);
```

17.5.8. Compiler Settings Related to Execution of Statements

17.5.8.1. Filter Service Max Filter Width

The compiler analyzes filter expressions and determines whether the `OR` logical operator occurs with the filter expression(s). This setting is only relevant to those filter expression that have `OR`. Please see [Section 15.18, "Compiler Filter Expression Analysis"](#) for more information.

In the default configuration the setting is 16, which means that the filter expression analyzer can at most create 16 path expressions from a given filter expression. If the number of path expressions is over 16, the expression will instead be evaluated as non-path and not be subject to to be entered into filter indexes.

On the level of a statement, this setting can be controlled by providing a hint. For example:

```
// The compiler optimizes the filter expression to become:
//  "a=1, c=1" or "b=1, c=1" or "a=1, d=1" or "b=1, d=1".
//  This enables filter index sharing between filter expressions.
select * from Event((a=1 or b=1) and (c=1 or d=1))
```

```
// The compiler does not optimize filter expressions
@Hint('MAX_FILTER_WIDTH=0') select * from Event((a=1 or b=1) and (c=1 or d=1))
```

The XML configuration to set a new value is:

```
<esper-configuration xmlns="http://www.espertech.com/schema/esper">
  <compiler>
    <execution filter-service-max-filter-width="100"/>
  </compiler>
</esper-configuration>
```

The API to change the setting:

```
Configuration config = new Configuration();
config.getCompiler().getExecution().
    setFilterServiceMaxFilterWidth(16);
```

17.5.8.2. Filter Index Planning

The compiler analyzes filter expressions and determines whether to use filter indexes. Please see [Section 15.18, “Compiler Filter Expression Analysis”](#) for more information.

By default the compiler performs advanced planning. The default setting is `ConfigurationCompilerExecution.FilterIndexPlanning.ADVANCED`.

This setting is an enumeration value that can be set to `none`, `basic` or `advanced` (the default).

By setting `none` the compiler simply builds a single non-reusable boolean composite expression for any filter expressions.

By setting `basic` the compiler analyzes filter expressions and builds basic triplets. The EPL can specify filter index planning hints to enable those advanced planning features that your application needs.

By setting `advanced` (the default) the compiler analyzes filter expressions fully. In this case the filter index planning hints are not considered by the compiler.

The XML configuration example is:

```
<esper-configuration xmlns="http://www.espertech.com/schema/esper">
  <compiler>
    <execution filter-index-planning="advanced"/>
  </compiler>
</esper-configuration>
```

The API example to change the setting is:

```
Configuration config = new Configuration();
```

```
config.getCompiler().getExecution().setFilterIndexPlanning(
    ConfigurationCompilerExecution.FilterIndexPlanning.ADVANCED);
```

17.5.8.3. Declared Expression Value Cache

The `enable-declared-expr-value-cache` is true by default and the compile generates code such that it uses a declared-expression cache.

The XML configuration to sets the same value as the default:

```
<esper-configuration xmlns="http://www.espertech.com/schema/esper">
  <compiler>
    <execution enable-declared-expr-value-cache="true" />
  </compiler>
</esper-configuration>
```

The API to change the setting:

```
Configuration config = new Configuration();
config.getCompiler().getExecution().
    setEnabledDeclaredExprValueCache(true);
```

17.5.9. Compiler Settings Related to Serializers and Deserializers

The settings related to serializers and deserializers (serdes) are only relevant when using high-availability with EsperHA. These settings are not relevant when not using EsperHA. Please see the EsperHA documentation for information.

```
<esper-configuration xmlns="http://www.espertech.com/schema/esper">
  <compiler>
    <serde-settings />
  </compiler>
</esper-configuration>
```

17.6. Configuration Runtime

17.6.1. Runtime Settings Related to Concurrency and Threading

17.6.1.1. Preserving the Order of Events Delivered to Listeners

In multithreaded environments, this setting controls whether dispatches of statement result events to listeners preserve the ordering in which a statement processes events. By default the runtime guarantees that it delivers a statement's result events to statement listeners in the order in which the result is generated. This behavior can be turned off via configuration as below. This behavior applies to stateful statements and not to stateless statements as stateless statements execute lock-free.

The next code snippet shows how to control this feature:

```
Configuration config = new Configuration();
config.getRuntime().getThreading().setListenerDispatchPreserveOrder(false);
```

And the XML configuration file can also control this feature by adding the following elements:

```
<esper-configuration xmlns="http://www.espertech.com/schema/esper">
  <runtime>
    <threading>
      <listener-dispatch preserve-order="true" timeout-msec="1000"
locking="spin"/>
    </threading>
  </runtime>
</esper-configuration>
```

As discussed, by default the runtime can temporarily block another processing thread when delivering result events to listeners in order to preserve the order in which results are delivered to a given statement. The maximum time the runtime blocks a thread can also be configured, and by default is set to 1 second.

As such delivery locks are typically held for a very short amount of time, the default blocking technique employs a spin lock (There are two techniques for implementing blocking; having the operating system suspend the thread until it is awakened later or using spin locks). While spin locks are CPU-intensive and appear inefficient, a spin lock can be more efficient than suspending the thread and subsequently waking it up, especially if the lock in question is held for a very short time. That is because there is significant overhead to suspending and rescheduling a thread.

The locking technique can be changed to use a blocking strategy that suspends the thread, by means of setting the locking property to 'suspend'.

17.6.1.2. Preserving the Order of Events for Insert-Into Streams

In multithreaded environments, this setting controls whether statements producing events for other statements via insert-into preserve the order of delivery within the producing and consuming statements, allowing statements that consume other statement's events to behave deterministic in multithreaded applications, if the consuming statement requires such determinism. By default, the runtime makes this guarantee (the setting is on). This behavior applies to stateful statements and not to stateless statements as stateless statements execute lock-free.

Take, for example, an application where a single statement (S1) inserts events into a stream that another statement (S2) further evaluates. A multithreaded application may have multiple threads processing events into statement S1. As statement S1 produces events for consumption by statement S2, such results may need to be delivered in the exact order produced as the consuming statement may rely on the order received. For example, if the first statement counts the number of events, the second statement may employ a pattern that inspects counts and thus expect the counts posted by statement S1 to continuously increase by 1 even though multiple threads process events.

The runtime may need to block a thread such that order of delivery is maintained, and statements that require order (such as pattern detection, previous and prior functions) receive a deterministic order of events. The settings available control the blocking technique and parameters. As described in the section immediately prior, the default blocking technique employs spin locks per statement inserting events for consumption, as the locks in questions are typically held a very short time. The 'suspend' blocking technique can be configured and a timeout value can also be defined.

The XML configuration file may change settings via the following elements:

```
<esper-configuration xmlns="http://www.espertech.com/schema/esper">
  <runtime>
    <threading>
      <insert-into-dispatch preserve-order="true" timeout-msec="100"
locking="spin"/>
    </threading>
  </runtime>
</esper-configuration>
```

17.6.1.3. Preserving the Order of Named Window Dispatches to Named Window Consumer Statements

In multithreaded environments, this setting controls whether named windows producing insert and remove streams for other statements that consume the named window by means of `from`-clause preserve the order of delivery within the producing named window and the consuming statements, allowing statements that consume named window's insert and remove stream events to behave deterministic in multithreaded applications, if the consuming statement requires such

determinism. By default, the runtime makes this guarantee (the setting is on) with spin locking and `Long.MAX_VALUE` as millisecond timeout.

Take, for example, an application where a named window (W1) produces inserts and remove stream events that a statement (S1) consumes. A multithreaded application may have multiple threads producing insert and remove stream events for consumption by statement S1. Such results may need to be delivered in the exact order produced by the named window as the consuming statement may rely on the order received.

The runtime may need to block a thread such that order of delivery is maintained, and statements that require order receive a deterministic order of events. The settings available control the blocking technique and parameters. As described in the section immediately prior, the default blocking technique employs spin locks per named window producing insert and removed stream events for consumption, as the locks in questions are typically held a very short time. The 'suspend' blocking technique can be configured and a timeout value can also defined.

The XML configuration file may change settings via the following elements:

```
<esper-configuration xmlns="http://www.espertech.com/schema/esper">
  <runtime>
    <threading>
      <named-window-consumer-dispatch preserve-order="true" locking="spin"/>
    </threading>
  </runtime>
</esper-configuration>
```

17.6.1.4. Internal Timer Settings

This option can be used to disable the internal timer thread and such have the application supply external time events, as well as to set a timer resolution.

The next code snippet shows how to disable the internal timer thread via the configuration API:

```
Configuration config = new Configuration();
config.getRuntime().getThreading().setInternalTimerEnabled(false);
```

This snippet of XML configuration leaves the internal timer enabled (the default) and sets a resolution of 200 milliseconds (the default is 100 milliseconds):

```
<esper-configuration xmlns="http://www.espertech.com/schema/esper">
  <runtime>
    <threading>
      <internal-timer enabled="true" msec-resolution="200"/>
    </threading>
  </runtime>
```

```
</esper-configuration>
```

We recommend that when disabling the internal timer, applications send an external timer event setting the start time before creating statements, such that statement start time is well-defined.

17.6.1.5. Advanced Threading Options

The settings described herein are for enabling advanced threading options for inbound, outbound, timer and route executions.

Take the next snippet of XML configuration as an example. It configures all threading options to 2 threads, which may not be suitable to your application, however demonstrates the configuration:

```
<esper-configuration xmlns="http://www.espertech.com/schema/esper">
  <runtime>
    <threading>
      <threadpool-inbound enabled="true" num-threads="2"/>
      <threadpool-outbound enabled="true" num-threads="2" capacity="1000"/>
      <threadpool-timerexec enabled="true" num-threads="2"/>
      <threadpool-routeexec enabled="true" num-threads="2"/>
    </threading>
  </runtime>
</esper-configuration>
```

By default, queues are unbound and backed by `java.util.concurrent.LinkedBlockingQueue`. The optional `capacity` attribute can be set to instruct the threading option to configure a capacity-bound queue with a sender-wait (blocking put) policy, backed `ArrayBlockingQueue`.

This example uses the API for configuring inbound threading :

```
Configuration config = new Configuration();
config.getRuntime().getThreading().setThreadPoolInbound(true);
config.getRuntime().getThreading().setThreadPoolInboundNumThreads(2);
```

With a bounded work queue, the queue size and pool size should be tuned together. A large queue coupled with a small pool can help reduce memory usage, CPU usage, and context switching, at the cost of potentially constraining throughput.



Note

If outbound-threading is enabled, listeners and subscribers that send events back into the runtime should use the `sendEventType` method and not the `routeEvent` method.

17.6.1.6. Runtime Fair Locking

By default the runtime configures the runtime-level lock without fair locking. The runtime-level lock coordinates event processing threads (threads that send events) with threads that perform administrative functions (threads that deploy and undeploy statements, for example). A fair lock is generally less performing than an unfair lock thus the default configuration is an unfair lock.

If your application is multi-threaded and multiple threads send events without gaps and if the per-event processing time is significant, then configuring a fair lock can help prioritize administrative functions. Administrative functions exclude event-processing threads until the administrative function completed. You may need to set this flag to prevent lock starvation to perform an administrative function in the face of concurrent event processing. Please consult the Java API documentation under `ReentrantReadWriteLock` and *Fair Mode* for more information.

The XML configuration to enable fair locking, which is disabled by default, is as follows:

```
<esper-configuration xmlns="http://www.espertech.com/schema/esper">
  <runtime>
    <threading runtime-fairlock="true"/>
  </runtime>
</esper-configuration>
```

The API to change the setting:

```
Configuration config = new Configuration();
config.getRuntime().getThreading().setRuntimeFairlock(true);
```

17.6.2. Runtime Settings Related to Logging

17.6.2.1. Execution Path Debug Logging

By default, the runtime does not produce debug output for the event processing execution paths even when Log4j or Logger configurations have been set to output debug level logs. To enable debug level logging, set this option in the configuration as well as in your Log4j configuration file.

Statement-level processing information can be output via the `@Audit` annotation, please see [Section 15.12.1, “@Audit Annotation”](#).

When debug-level logging is enabled by setting the flag as below and by setting `DEBUG` in the Log4j configuration file, then the timer processing may produce extensive debug output that you may not want to have in the log file. The `timer-debug` setting in the XML or via API as below disables timer debug output which is enabled by default.

The API to use to enable debug logging and disable timer event output is shown here:

```
Configuration config = new Configuration();
config.getRuntime().getLogging().setEnableExecutionDebug(true);
config.getRuntime().getLogging().setEnableTimerDebug(false);
```

Note: this is a configuration option that applies to all runtime instances of a given Java module or VM.

The XML snippet is:

```
<esper-configuration xmlns="http://www.espertech.com/schema/esper">
  <runtime>
    <logging>
      <execution-path enabled="true"/>
      <timer-debug enabled="false"/>
    </logging>
  </runtime>
</esper-configuration>
```

17.6.2.2. Audit Logging

The settings herein control the output format of `@Audit` logs.

This setting applies to all runtime instances in the same JVM. Please also see the API documentation for information on pattern conversion characters.

Table 17.5. Audit Log Conversion Characters

Character	Description
m	Audit message
s	Statement name
u	Runtime URI
d	Deployment Id
i	Context partition id
c	Category
tutc	Runtime time formatted in ISO-8601 instance format as a UTC value
tzone	Runtime time formatted in ISO-8601 instance format as a zoned value according to the configured zone

The API to use to set an audit log format is shown here:

```
Configuration config = new Configuration();
```

```
config.getRuntime().getLogging().setAuditPattern("[%u] [%s] %m");
```

The XML snippet is:

```
<esper-configuration xmlns="http://www.espertech.com/schema/esper">
  <runtime>
    <logging>
      <audit pattern "[%u] [%s] %m" />
    </logging>
  </runtime>
</esper-configuration>
```

17.6.3. Runtime Settings Related to Variables

17.6.3.1. Variable Version Release Interval

This setting controls the length of time that the runtime retains variable versions for use by statements that use variables and that execute, within the same statement for the same event, longer than the time interval. By default, the runtime retains 15 seconds of variable versions.

For statements that use variables and that execute (in response to a single timer or other event) longer than the time period, the runtime returns the current variable version at the time the statement executes, thereby softening the guarantee of consistency of variable values within the long-running statement. Please see [Section 5.17.3, "Using Variables"](#) for more information.

The XML configuration for this setting is shown below:

```
<esper-configuration xmlns="http://www.espertech.com/schema/esper">
  <runtime>
    <variables>
      <msec-version-release value="15000" />
    </variables>
  </runtime>
</esper-configuration>
```

17.6.4. Runtime Settings Related to Patterns

17.6.4.1. Followed-By Operator Maximum Subexpression Count

You may use this setting to limit the total runtime-wide number of pattern sub-expressions that all followed-by operators may manage. When the limit is reached, a condition is raised by the runtime through the condition callback API.

By default, when the limit is reached, the runtime also prevents the start of new pattern sub-expressions, until pattern sub-expressions end and the limit is no longer reached. By setting the `prevent-start` flag to `false` you can instruct the runtime to only raise a condition and continue to allow the start of new pattern sub-expressions.

The implications of the settings described herein are also detailed in [Section 7.5.8.2, “Limiting Runtime-Wide Sub-Expression Count”](#).

A sample XML configuration for this setting is shown below:

```
<esper-configuration xmlns="http://www.espertech.com/schema/esper">
  <runtime>
    <patterns>
      <max-subexpression value="100" prevent-start="false"/>
    </patterns>
  </runtime>
</esper-configuration>
```

17.6.5. Runtime Settings Related to Match-Recognize

17.6.5.1. Maximum State Count

You may use this setting to limit the total runtime-wide number of states that all match-recognize constructs may manage. When the limit is reached, a condition is raised by the runtime through the condition callback API.

By default, when the limit is reached, the runtime also prevents the allocation of new states, until states get removed and the limit is no longer reached. By setting the `prevent-start` flag to `false` you can instruct the runtime to only raise a condition and continue to allow the allocation of new states.

The implications of the settings described herein are also detailed in [Section 8.11, “Limiting Runtime-Wide State Count”](#).

A sample XML configuration for this setting is shown below:

```
<esper-configuration xmlns="http://www.espertech.com/schema/esper">
  <runtime>
    <match-recognize>
      <max-state value="100" prevent-start="false"/>
    </match-recognize>
  </runtime>
</esper-configuration>
```


17.6.6. Runtime Settings Related to Time Source

17.6.6.1. Default Time Source

This setting only applies if internal timer events control runtime time (default). If external timer events provide runtime clocking, the setting does not apply.

By default, the internal timer uses the call `System.currentTimeMillis()` to determine runtime time in milliseconds. Via this setting the internal timer can be instructed to use `System.nanoTime()` instead. Please see [Section 16.9.2, "Time Resolution and Time Unit"](#) for more information.

Note: This is a Java VM global setting. If running multiple runtime instances in a Java VM, the timer setting is global and applies to all runtime instances in the same Java VM, for performance reasons.

A sample XML configuration for this setting is shown below, whereas the sample setting sets the time source to the nanosecond time provider:

```
<esper-configuration xmlns="http://www.espertech.com/schema/esper">
  <runtime>
    <time-source>
      <time-source-type value="nano" />
    </time-source>
  </runtime>
</esper-configuration>
```

The equivalent code snippet using the configuration API is here:

```
Configuration config = new Configuration();
config.getRuntime().getTimeSource().setTimeSourceType(TimeSourceType.NANO);
```

17.6.7. Runtime Settings Related to JMX Metrics

Please set the flag as described herein to have the runtime report key counters and other processing information through the JMX mbean platform server. By default JMX is not enabled. For NEsper .NET this section does not apply and there is currently no equivalent.

A sample XML configuration is shown below:

```
<esper-configuration xmlns="http://www.espertech.com/schema/esper">
  <runtime>
    <metrics-reporting jmx-runtime-metrics="true"/>
  </runtime>
</esper-configuration>
```

A sample code snippet to set this configuration via the API follows:

```
Configuration configuration = new Configuration();
configuration.getRuntime().getMetricsReporting().setJmxRuntimeMetrics(true);
```

17.6.8. Runtime Settings Related to Metrics Reporting

This section explains how to enable and configure metrics reporting, which is by default disabled. Please see [Section 16.12, “Runtime and Statement Metrics Reporting”](#) for more information on the metrics data reported to your application.

The flag that enables metrics reporting is global to a Java virtual machine. If metrics reporting is enabled, the overhead incurred for reporting metrics is carried by all runtime instances per Java VM.

Metrics reporting occurs by a runtime-controlled separate daemon thread that each runtime instance starts at runtime initialization time, if metrics reporting and threading is enabled (threading enabled is the default).

Runtime and statement metric intervals are in milliseconds. A negative or zero millisecond interval value may be provided to disable reporting.

To control statement metric reporting for individual statements or groups of statements, the runtime provides a facility that groups statements by statement name. Each such statement group may have different reporting intervals configured, and intervals can be changed at runtime through runtime configuration. A statement group is assigned a group name at configuration time to identify the group.

Metrics reporting configuration is part of the runtime settings. All configuration options are also available via the `Configuration` API.

A sample XML configuration is shown below:

```
<esper-configuration xmlns="http://www.espertech.com/schema/esper">
  <runtime>
    <metrics-reporting enabled="true" runtime-interval="1000" statement-
interval="1000"
      threading="true"/>
  </runtime>
</esper-configuration>
```

The `runtime-interval` setting (defaults to 10 seconds) determines the frequency in milliseconds at which the runtime reports runtime metrics, in this example every 1 second. The `statement-interval` is for statement metrics. The `threading` flag is true by default since reporting takes

place by a dedicated runtime thread and can be set to false to use the external or internal timer thread instead.

The next example XML declares a statement group: The statements that have statement names that fall within the group follow a different reporting frequency:

```
<esper-configuration xmlns="http://www.espertech.com/schema/esper">
  <runtime>
    <metrics-reporting enabled="true" statement-interval="0">
      <stmtgroup name="MyStmtGroup" interval="2000" default-include="true" num-
stmts="100"
        report-inactive="true">
        <exclude-regex>.*test.*</exclude-regex>
      </stmtgroup>
    </metrics-reporting>
  </runtime>
</esper-configuration>
```

The above example configuration sets the `statement-interval` to zero to disable reporting for all statements. It defines a statement group by name `MyStmtGroup` and specifies a 2-second interval. The example sets the `default-include` flag to true (by default false) to include all statements in the statement group. The example also sets `report-inactive` to true (by default false) to report inactive statements.

The `exclude-regex` element may be used to specify a regular expression that serves to exclude statements from the group. Any statement whose statement name matches the exclude regular expression is not included in the group. In the above example, all statements with the characters 'test' inside their statement name are excluded from the group.

Any statement not belonging to any of the statement groups follow the configured statement interval.

There are additional elements available to include and exclude statements: `include-regex`, `include-like` and `exclude-like`. The latter two apply SQL-like matching. All patterns are case-sensitive.

Here is a further example of a possible statement group definition, which includes statements whose statement name have the characters `@REPORT` or `@STREAM`, and excludes statements whose statement name have the characters `@IGNORE` or `@METRICS` inside.

```
<esper-configuration xmlns="http://www.espertech.com/schema/esper">
  <runtime>
    <metrics-reporting enabled="true">
      <stmtgroup name="MyStmtGroup" interval="1000">
        <include-like>%@REPORT%</include-like>
        <include-regex>.*@STREAM.*</include-regex>
```

```
<exclude-like>%@IGNORE%</exclude-like>
<exclude-regex>.*@METRICS.*</exclude-regex>
</stmtgroup>
</metrics-reporting>
</runtime>
</esper-configuration>
```

17.6.9. Runtime Settings Related to Expression Evaluation

17.6.9.1. Subselect Evaluation Order

By default the runtime updates sub-selects with new events before evaluating the enclosing statement. This is relevant for statements that look for the same event in both the `from` clause and subselects.

To have runtime evaluate the enclosing clauses before updating the subselect in a subselect expression, set the flag as indicated herein.

The XML configuration as below sets the same as the default value:

```
<esper-configuration xmlns="http://www.espertech.com/schema/esper">
  <runtime>
    <expression self-subselect-preeval="true"/>
  </runtime>
</esper-configuration>
```

Here is a sample statement that utilizes a sub-select against the same-events:

```
select * from MyEvent where prop not in (select prop from
MyEvent#unique(otherProp))
```

By default the subselect data window updates first before the `where` clause is evaluated, thereby above statement never returns results.

Changing the setting described here causes the `where` clause to evaluate before the subselect data window updates, thereby the statement does post results.

17.6.9.2. Time Zone

By default, when performing calendar operations, the runtime uses the default time zone obtained by `java.util.TimeZone.getDefault()`. Use the setting herein to specify a time zone other than the default time zone.

The below XML configuration sets a time zone 'GMT-4:00':

```
<esper-configuration xmlns="http://www.espertech.com/schema/esper">
  <runtime>
    <expression time-zone="GMT-4:00"/>
  </runtime>
</esper-configuration>
```

An example API configuration is shown next:

```
Configuration config = new Configuration();
config.getRuntime().getExpression().setTimeZone(TimeZone.getTimeZone("GMT-4:00"));
```

17.6.10. Runtime Settings Related to Execution of Statements

17.6.10.1. Prioritized Execution

By default the runtime ignores `@Priority` and `@Drop` annotations and executes unprioritized, that is the runtime does not attempt to interpret assigned priorities and reorder executions based on priority. Use this setting if your application requires prioritized execution.

By setting this configuration, the runtime executes statements, when an event or schedule matches multiple statements, according to the assigned priority, starting from the highest priority value. See built-in EPL annotations in [Section 5.2.7.7, “@Priority”](#).

The XML configuration to enable the flag, which is disabled by default, is as follows:

```
<esper-configuration xmlns="http://www.espertech.com/schema/esper">
  <runtime>
    <execution prioritized="true"/>
  </runtime>
</esper-configuration>
```

The API to change the setting:

```
Configuration config = new Configuration();
config.getRuntime().getExecution().setPrioritized(true);
```

17.6.10.2. Context Partition Fair Locking

By default the runtime configures context partition locks without fair locking. If your application is multi-threaded and performs very frequent reads via iterator or fire-and-forget queries, you may need to set this flag to prevent lock starvation in the face of concurrent reads and writes. Please

consult the Java API documentation under `ReentrantReadWriteLock` and *Fair Mode* for more information.

The XML configuration to enable fair locking, which is disabled by default, is as follows:

```
<esper-configuration xmlns="http://www.espertech.com/schema/esper">
  <runtime>
    <execution fairlock="true"/>
  </runtime>
</esper-configuration>
```

The API to change the setting:

```
Configuration config = new Configuration();
config.getRuntime().getExecution().setFairlock(true);
```

17.6.10.3. Disable Locking

By default the runtime configures context partition locks as required after analyzing your statements. You may disable context partition locks using the setting described here. Use the `@NoLock` annotation instead to disable locking for a given statement or named window only.



Warning

The runtime provides this setting for the purpose of identifying locking overhead, or when your application is single-threaded, or when using an external mechanism for concurrency control. Setting `disable-locking` to `true` may have unpredictable results unless your application is taking concurrency under consideration.

The XML configuration to disable context level locking is as follows:

```
<esper-configuration xmlns="http://www.espertech.com/schema/esper">
  <runtime>
    <execution disable-locking="true"/>
  </runtime>
</esper-configuration>
```

The API to change the setting:

```
Configuration config = new Configuration();
```

```
config.getRuntime().getExecution().setDisableLocking(true);
```

17.6.10.4. Filter Service Profile

This setting is for performance tuning of filter service which handles matching incoming events to context partitions and statements.

In the default configuration termed `readmostly`, filter service locking is coarse-grained assuming a large number of reads and comparatively few writes. "Reads" are evaluations of events, while with "writes" we mean filter service changes such as new statements, a new pattern subexpression becoming active or a pattern subexpression being deactivated.

Set the configuration to `readwrite` if you have multiple threads and your statements very frequently add and remove filters using pattern subexpressions, for example. This setting instructs the runtime to maintain fine-grained locks instead generally allowing for higher concurrency but possibly incurring additional overhead.

The XML configuration to set a new filter service profile is as follows:

```
<esper-configuration xmlns="http://www.espertech.com/schema/esper">
  <runtime>
    <execution filter-service-profile="readwrite"/>
  </runtime>
</esper-configuration>
```

The API to change the setting:

```
Configuration config = new Configuration();
config.getRuntime().getExecution().
    setFilterServiceProfile(FilterServiceProfile.READWRITE);
```

17.6.10.5. Declared Expression Value Cache Size

In the default configuration the setting is 1, which means that for each declared expression the runtime retains a cache of only the last computed value, for use for the duration of an evaluation of an event or time against a context partition. You may set the value to zero to disable caching. You may set the value to N to instruct the runtime to retain a cache of the last N computed values. This setting is not applicable to stateful declared expressions such as declared expressions with aggregation functions, for example.

The runtime only uses the declared expression cache for expressions that receive events as parameters. For expressions that receive other values as parameters the runtime does not use the declared expression cache.

The XML configuration to sets the same value as the default:

```
<esper-configuration xmlns="http://www.espertech.com/schema/esper">
  <runtime>
    <execution declared-expr-value-cache-size="1"/>
  </runtime>
</esper-configuration>
```

The API to change the setting:

```
Configuration config = new Configuration();
config.getRuntime().getExecution().
    setDeclaredExprValueCacheSize(1);
```

17.6.11. Runtime Settings Related to Exception Handling

Use the settings as described here to register an exception handler factory class that provides an exception handler. The runtime invokes exception handlers in the order they are listed to handle a continues-query unchecked exception, as further described in [Section 16.10, “Exception Handling”](#). Please provide the full-qualified class name of each class that implements the `com.espertech.esper.common.client.hook.exception.ExceptionHandlerFactory` interface in the runtime configuration as below.

By default, during a module undeploy when the runtime encounters a runtime exception for any of the statements it logs such exceptions as warnings. You can set the `undeploy-rethrow-policy` flag to `rethrow_first` instead have the runtime rethrow the first runtime exception.

The XML configuration is as follows:

```
<esper-configuration xmlns="http://www.espertech.com/schema/esper">
  <runtime>
    <exceptionHandling undeploy-rethrow-policy="warn">
      <handlerFactory class="my.company.cep.MyCEPRuntimeExceptionHandlerFactory"/>
    >
  </exceptionHandling>
</runtime>
</esper-configuration>
```

The API calls to register an exception handler factory are as follows:

```
Configuration config = new Configuration();
config.getRuntime().getExceptionHandler().addClass(MyCEPRuntimeExceptionHandlerFactory.class);
config.getRuntime().getExceptionHandler().setUndeployRethrowPolicy(UndeployRethrowPolicy.RETHROW_FIRST);
```


17.6.12. Runtime Settings Related to Condition Handling

Use the settings as described here to register a condition handler factory class that provides a condition handler. The runtime invokes condition handlers in the order they are listed to indicate conditions, which is the term used for notification when certain predefined limits are reached, as further described in [Section 16.11, “Condition Handling”](#).

Please provide the full-qualified class name of each class that implements the `com.espertech.esper.common.client.hook.condition.ConditionHandlerFactory` interface in the runtime configuration as below.

The XML configuration is as follows:

```
<esper-configuration xmlns="http://www.espertech.com/schema/esper">
  <runtime>
    <conditionHandling>
      <handlerFactory class="my.company.cep.MyCEPRuntimeConditionHandlerFactory" /
    >
    </conditionHandling>
  </runtime>
</esper-configuration>
```

The API calls to register a condition handler factory are as follows:

```
Configuration config = new Configuration();
config.getRuntime().getConditionHandling().addClass(MyCEPRuntimeConditionHandlerFactory.class);
```

17.7. Passing Services or Transient Objects

The `Configuration` object allows passing application objects such as services or other transient objects. This information can be used by extensions, listeners or subscribers, for example, to obtain application objects from the runtime. Your application may provide a custom class loader or class-for-name service.

Use `setTransientConfiguration` and provide a `Map<String, Object>` that contains the application objects. The runtime retains and makes available the same `Map` instance available via API. Its contents including services can be changed by an application at runtime. The API methods to retrieve transient configuration are:

- The `getConfigurationTransients` method of `EPRuntime`
- The `getConfigurationDeepCopy` method of `EPRuntime`

17.7.1. Service Example

Assuming your application has a service `myLocalService` instance, the example code is:

```
Configuration configuration = new Configuration();
HashMap<String, Object> transients = new HashMap<String, Object>();
transients.put(SERVICE_NAME, myLocalService); // SERVICE_NAME is a well-known
string value defined elsewhere
configuration.getCommon().setTransientConfiguration(transients);

EPRuntime runtime = EPRuntimeProvider.getDefaultRuntime(configuration);
```

A sample listener that receives a service from transient configuration is:

```
public class MyListener implements UpdateListener {
    public void update(EventBean[] newEvents, EventBean[] oldEvents, EPStatement
statement, EPRuntime runtime) {
        MyLocalService service = (MyLocalService)
runtime.getConfigurationTransient().get(SERVICE_NAME);
        // use the service here
    }
}
```

An alternative means to obtain application services is to define a constant variable.

17.7.2. Class-for-Name

By default, when resolving a fully-qualified class name to a `Class`, the `com.espertech.esper.common.client.util.ClassForNameProviderDefault` uses:

```
ClassLoader cl = Thread.currentThread().getContextClassLoader();
return Class.forName(className, true, cl);
```

Your application can implement the `com.espertech.esper.common.client.util.ClassForNameProvider` interface to provide an alternate implementation.

For example, this provider prevents the `System` class from being available in EPL:

```
runtime.getConfigurationTransient().put(ClassForNameProvider.NAME,
new ClassForNameProvider() {
    public Class classForName(String className) throws ClassNotFoundException {
```

```

        if (className.equals(System.class.getName())) { // prevent the System
class from loading
            return null;
        }
        return Class.forName(className, true,
Thread.currentThread().getContextClassLoader());
    }
});

```

17.7.3. Class Loader

By default, to obtain a class loader, the `com.espertech.esper.common.client.util.ClassLoaderProviderDefault` uses `Thread.currentThread().getContextClassLoader()`.

Your application can implement the `com.espertech.esper.common.client.util.ClassLoaderProvider` interface to provide an alternate implementation.

For example, this provider returns a pre-determined classloader:

```

ClassLoader classLoader = new CustomClassLoader();
runtime.getConfigurationTransient().put(ClassLoaderProvider.NAME,
    new ClassLoaderProvider() {
        public ClassLoader classloader() {
            return classLoader;
        }
    });

```

17.8. Type Names

Certain configuration values accept type names. Type names can occur in the configuration of variable types, Map-event property types as well as XPath cast types, for example. Types names are not case-sensitive.

The table below outlines all possible type names:

Table 17.6. Variable Type Names

Type Name	Type
string, varchar, varchar2 or java.lang.String	A string value
int, integer OR java.lang.Integer	An integer value
long OR java.lang.Long	A long value

Type Name	Type
bool, boolean OR java.lang.Boolean	A boolean value
double OR java.lang.Double	A double value
float OR java.lang.Float	A float value
short OR java.lang.Short	A short value
char, character OR java.lang.Character	A character value
byte OR java.lang.Byte	A byte value

17.9. Logging Configuration

For NEesper .NET also see [Section J.18, “.NET Configurations - Logging Configuration”](#).

The compiler and runtime log all messages to SLF4J under an appropriate log level. To output log messages you can add Log4j and SLF4J-Log4j (1.2) to classpath and configure Log4j as below.

The only direct dependency for logging is the SLF4J interfaces (`slf4j-api-x.y.z.jar`). Please see the SLF4J documentation on redirecting logs to other logging frameworks.

Statement-level processing information can be output, please see [Section 15.12.1, “@Audit Annotation”](#).

For performance reasons, the runtime does not log any debug-level or informational-level messages for event execution unless explicitly configured via [Section 17.6.2.1, “Execution Path Debug Logging”](#).

A callback API for receiving certain critical runtime reports is available as described in [Section 16.10, “Exception Handling”](#).

More information on configuring runtime-level settings for logging are at [Section 17.6.2, “Runtime Settings Related to Logging”](#).

The next table explains the log levels:

Table 17.7. Log Levels

Log Level	Use
Debug	Displays detailed runtime-internal information that may not be easy to understand for application developers but are useful for runtime support.
Info	Used for a few critical runtime-level log messages.
Warn	Certain important warning or informational messages are displayed under the warning level.
Error	Exceptions reported within the runtime or by plug-in components are reported under the error level.

17.9.1. Log4j Logging Configuration

Log4j is the default logging component. Please find additional information for Log4j configuration and extension in <http://logging.apache.org/log4j>.

The easiest way to configure Log4j is by providing a Log4J configuration file, similar to the `log4j.xml` file shipped in the `etc` folder of the distribution.

Add the `log4j.configuration` system property to the `java` command line and provide the file name of the Log4j configuration file, making sure your classpath also includes the directory of the file:

```
java -Dlog4j.configuration=log4j.xml ...
```


Chapter 18. Inlined Classes

18.1. Overview

Your application can add Java class code (or C# class code for NEsper) directly into the EPL. The EPL compiler compiles the classes your application provides and makes the classes available for use within EPL. Classes can be local i.e. visible to the current module only, or global i.e. visible to other modules according to EPL-object visibility rules. The typical use of classes is to perform imperative programming or provide utility, integration or extension functionality.

For declaring classes that are visible across multiple statements i.e. globally visible classes please consult [Section 18.3, “Declaring a Global Class”](#) that explains the `create inlined_class` clause. Inlined-classes are EPL-objects following visibility rules according to [Section 15.2.2, “EPL-objects”](#).

Inlined classes can provide single-row functions as described in [Section 22.2.1, “Using an Inlined Class to Provide a Single-Row Function”](#).

Inlined classes can provide aggregation single-functions as described in [Section 22.5.1.4, “Using an Inlined Class to Provide an Aggregation Single-Function”](#).

Inlined classes can provide aggregation multi-functions as described in [Section 22.5.2.8, “Using an Inlined Class to Provide an Aggregation Multi-Function”](#).

Inlined classes can serve as a variable type. The `create variable` clause allows the class name of an inlined class as a variable type.

18.2. Declaring a Local Class

A local inlined class is a class that is only visible to the same EPL statement that it is part of. The class is not visible to other EPL statements in the same module and is not visible to other modules.

The syntax for inlined classes is:

```
inlined_class "" class-text ""
```

Use the `inlined_class` keyword to declare a class. Place the `class-text` class code within three double-quotes (“ ”).

The `class-text` class code is a Java class, i.e. `public class class-name{...}` or `public enum class-name{...}`.

The class text may specify a package name and imports. The class text is subject to limitations as listed below.

The next example shows a statement that calls a static method of an inlined-class by name `MyUtility` which computes the Fibonacci total for a given number:

```
inlined_class ""
public class MyUtility {
    public static double fib(int n) {
        if (n <= 1)
            return n;
        return fib(n-1) + fib(n-2);
    }
}
""
select MyUtility.fib(intValue) from SomeEvent
```

18.3. Declaring a Global Class

Use the `create inlined_class` syntax to declare an inlined class. The compiler remembers the class and allows the class to be referenced by other statements of the same module and by other modules.

The below EPL declares a globally visible class by name `MyUtility` that provides a method `midPrice` that computes a mid-price and that a buy and sell parameter:

```
create inlined_class ""
public class MyUtility {
    public static double midPrice(double buy, double sell) {
        return (buy + sell) / 2;
    }
}
""
```

The next EPL returns mid-price for each event:

```
select MyUtility.midPrice(buy, sell) from MarketDataEvent
```

The class name must be unique for global inlined classes. It is not possible to declare the same global inlined-class twice with the same class name and the same module name.

The runtime, at the time your application deploys a module that references global inlined classes, provides a classloader that adds the imported inlined classes that are provided by the deployment that contains the inlined classes. Thus the compiler and runtime never copy or otherwise duplicate the inlined class or class byte code.

18.4. Performance Notes

The EPL compiler compiles the inlined classes to byte code and the runtime loads the byte code using a classloader that is aware of the inlined classes.

It is recommended that inlined class code executes non-blocking.

It is recommended that inlined class code is stateless. Please use plug-in aggregation functions or variables instead.

It is recommended that inlined class code is thread safe. EPL execution generally allows certain EPL statements and partitions to execute lock-free.

18.5. Known Limitations

The compiler for inlined classes is Janino. Janino does not support all of Java 8 and higher. Please see the Janino documentation for more information.

The following limitations apply:

- Annotations; an inlined class cannot be an annotation
- Listeners or subscribers; an inlined class cannot be a listener or subscriber
- Insert-into; for `insert into`, your application cannot populate an instance of an inlined class
- Event type; for `create schema`, an inlined class cannot be a property type and cannot be an event type
- Named windows and tables; for `create window` and for `create table`, an inlined class cannot be a column type
- The `@type` annotation cannot be used with inlined classes
- Inlined classes cannot be view, enumeration method, virtual data window or pattern extension classes
- Script may not use inlined classes

Chapter 19. Script Support

19.1. Overview

EPL allows the use scripting languages within EPL. You may use scripts for imperative programming to execute certain code as part of EPL processing by the runtime.

The syntax and examples outlined below discuss how to declare a script that is visible to the same statement that listed the script.

For declaring scripts that are visible across multiple statements i.e. globally visible scripts please consult [Section 5.18.3, “Global Scripts”](#) that explains the `create expression` clause.

Any scripting language that supports JSR 223 and also the MVEL scripting language can be specified in EPL. This section provides MVEL and JavaScript examples.

For more information on the MVEL scripting language and its syntax, please refer to the MVEL documentation. MVEL is an expression language that has a natural syntax for Java-based applications and compiles to provide fast execution times. To use MVEL with the runtime, please make sure to add the MVEL jar file to the application classpath.

For more information on JSR 223 scripting languages, please refer to external resources. As JSR 223 defines a standard API for script execution, your application may use any script execution that implements the API. Current JVM versions ship with a JavaScript script execution. Other script executors such as Groovy, Ruby and Python scripts can be used as implementations of JSR 223.

As an alternative to a script consider providing a custom single row function as described in [Section 22.2, “Single-Row Function”](#).

19.2. Syntax

The syntax for scripts is:

```
expression [return_type] [@type(eventtype_name)] [dialect_identifier:]
script_name [ (parameters) ] [ script_body ]
```

Use the `expression` keyword to declare a script.

The `return_type` is optional. If the script declaration provides a return type the compiler can perform strong type checking: Any expressions that invoke the script and use the return value are aware of the return type. If no return type is provided the compiler assumes the script returns `java.lang.Object`. A parameterized type such as `java.util.Collection<Integer>` is also allowed as the return type.

If the return type of the script is `EventBean[]` you must provide the `@type(name)` annotation after the return type to name the event type of events returned by the script. The `@type` is allowed only when the return type is `EventBean` instances.

The *dialect_identifier* is optional and identifies the scripting language. Use `mvel` for MVEL, `js` for JavaScript and `python` for Python and similar for other JSR 223 scripting languages. If no dialect identifier is specified, the default dialect that is configured applies, which is `js` unless your application changes the default configuration.

It follows the script name. You may use the same script name multiple times and thus overload providing multiple signatures under the same script name. The combination of script name and number of parameters must be unique however.

If you have script parameters, specify the parameter names for the script as a comma-separated list of identifiers in parenthesis. It is not necessary to list parameter types.

The *script body* is the actual MVEL or JavaScript or other scripting language script and is placed in square brackets: `[... script body ...]`.

19.3. Examples

The next example shows a statement that calls a JavaScript script which computes the Fibonacci total for a given number:

```
expression double js:fib(num) [  
  fib(num);  
  function fib(n) {  
    if(n <= 1)  
      return n;  
    return fib(n-1) + fib(n-2);  
  }  
]  
select fib(intPrimitive) from SupportBean;
```

The `expression` keyword is followed by the return type (`double`), the dialect (`js`) and the script name (`fib`) that declares a single parameter (`num`). The JavaScript code that computes the Fibonacci total is between square brackets `[]`.

The following example shows a statement that calls a MVEL script which outputs all the different colors that are listed in the `colors` property of each `ColorEvent`:

```
expression mvel:printColors(colors) [  
  String c = null;  
  for (c : colors) {  
    System.out.println(c);  
  }  
]  
select printColors(colors) from ColorEvent;
```

This example instead uses JavaScript to print colors and passes the event itself as a script parameter (this example is for Java 8 and Nashorn):

```
expression js:printColors(colorEvent) [
  print(java.util.Arrays.toString(colorEvent.getColors()));
]
select printColors(colorEvent) from ColorEvent as colorEvent
```

The next example creates a globally-visible script that returns `ItemEvent` events, assuming that the `ItemEvent` event type is an event type defined by `create schema ItemEvent(id string):`

```
create expression EventBean[] @type(ItemEvent) js:myScriptReturnsEvents() [
myScriptReturnsEvents();
function myScriptReturnsEvents() {
    var EventBeanArray =
Java.type("\"com.espertech.esper.common.client.EventBean[]\"");
    var events = new EventBeanArray(1);
    events[0] =
\"", \"id1\"), \"ItemEvent\");
    return events;
}

// sample EPL:
// select myScriptReturnsEvents().where(v => v.id in ('id1', 'id3')) from
MyEvent]
```

19.4. Built-In EPL Script Attributes

The compiler provides a built-in script object under the variable name `epl` to all scripts. Your scripts may use this script object to share and retain state by setting and reading script attributes. The runtime maintains a separate script object per context partition or per statement if not declaring a context. Therefore script attributes are not shared between statements, however multiple scripts executed by the same context partition receive the same script object.

The `epl` script object implements the interface `com.espertech.esper.common.client.hook.expr.EPLScriptContext`. Please see the [JavaDoc](#) for services provided by `EPLScriptContext`.

For script state management, the `EPLScriptContext` interface has two methods: The `void setScriptAttribute(String attribute, Object value)` method to set an attribute value and the `Object getScriptAttribute(String attribute)` method to read an attribute value.

The next example demonstrates the use of the `epl` script object. It outputs a flag value `true` when an RFID event matched because the location is `A`, and outputs a flag value `false` when an

RFID event matched because the location is B. The example works the same for either MVEL or JavaScript dialects: You may simply replace the `js` dialect with `mvel`.

```
expression boolean js:setFlag(name, value, returnValue) [  
  if (returnValue) epl.setScriptAttribute(name, value);  
  returnValue;  
]  
expression js:getFlag(name) [  
  epl.getScriptAttribute(name);  
]  
select getFlag('locA') as flag from RFIDEvent(zone = 'Z1' and  
  (setFlag('locA', true, location = 'A') or setFlag('locA', false, location =  
  'B'))) )
```

The example above utilizes two scripts: The `setFlag` script receives an attribute name, attribute value and a return value. The script sets the script attribute only when the return value is true. The `getFlag` script simply returns the script attribute value.

19.5. Performance Notes

Upon statement compilation, the compiler resolves script parameter types and performs script compilation. At runtime the runtime evaluates the script in its compiled form.

As the compiler cannot inspect scripts if it is not possible for the compiler to perform query planning or many optimizations based on the information in scripts. It is thus recommended to structure EPL such that basic filter and join expressions are EPL expressions and not script expressions.

19.6. Additional Notes

Your EPL may declare a return type for the script. If no return type is declared and when using the MVEL dialect, the compiler will infer the return type from the MVEL expression analysis result. If the return type is not provided and cannot be inferred or the dialect is not MVEL, the return type is `Object`.

If the EPL declares a numeric return type then the compiler performs coercion of the numeric result to the return type that is specified.

In the case that the EPL declares a return type that does not match the type of the actual script return value, the compiler does not check return value type.

Chapter 20. EPL Reference: Spatial Methods and Indexes

20.1. Overview

EPL provides spatial methods and spatial indexes.

The compiler analyzes filter criteria and the `where`-clause and considers spatial methods, utilizing spatial filter indexes or spatial event indexes for efficient matching and lookup.

For general information on the dot-operator please consult [Section 9.7, “Dot Operator”](#).

20.2. Spatial Methods

The below table summarizes the built-in spatial methods available:

Table 20.1. Spatial Methods

Method	Result
<code>point(x,y).inside(rectangle(x,y,width,height))</code>	Returns <code>true</code> if the point is inside the rectangle. Section 20.2.1, “Point-Inside-Rectangle” .
<code>rectangle(x,y,width,height).intersects(rectangle(x,y,width,height))</code>	Returns <code>true</code> if the rectangles intersects with the rectangle. Section 20.2.2, “Rectangle-Intersects-Rectangle” .

20.2.1. Point-Inside-Rectangle

The method compares a point to a rectangle and returns true if the point falls inside the rectangle.

The method takes a point as input and a rectangle as a parameter:

```
point(point_x, point_y [,
  filterindex:configexpression]).inside(rectangle(rect_x, rect_y, width, height))
```

For the point, please provide the `point_x` and `point_y` expressions that return the (x, y)-coordinates of the point. The `filterindex` named parameter is for use with filter indexes as described below. The left-hand side point can be subject to point-region quadtree indexing (MX-CIF quadtrees do not apply).

For the rectangle, the `rect_x` expression and `rect_y` expressions return the (x, y)-coordinates of the rectangle and the `width` expression and `height` expressions return the width and height of the rectangle.

All expressions must return a number-type and the implementation compares the `double`-values returned by the expressions.

A point is considered inside the rectangle if `(point_x >= rect_x) and (point_x < rect_x + width) and (point_y >= rect_y) and (point_y < rect_y + height)`.

Table 20.2. Point-Inside-Rectangle Examples

Expression	Result
<code>point(10, 20).inside(rectangle(0, 0, 50, 50))</code>	true
<code>point(10, 20).inside(rectangle(20, 20, 50, 50))</code>	false
<code>point(10, 20).inside(rectangle(9, 19, 1, 1))</code>	false
<code>point(10, 20).inside(rectangle(9, 19, 1.0001, 1.0001))</code>	true

20.2.2. Rectangle-Intersects-Rectangle

The method compares a rectangle to a rectangle and returns true if the rectangles intersect.

The method takes a rectangle as input and a rectangle as a parameter:

```
rectangle(rect_x, rect_y, rect_width, rect_height [,
  filterindex:configexpression]).intersects(rectangle(other_x, other_y, other_width, other_he
```

The left-hand side is the rectangle's `rect_x`, `rects_y`, `rect_width` and `rect_height` expressions that return the (x, y)-coordinates and the size of the rectangle. The `filterindex` named parameter is for use with filter indexes as described below. The left-hand side rectangle can be subject to MX-CIF quadtree indexing (point-region quadtrees do not apply).

For the compared-to rectangle on the right-hand side, the `other_x`, `other_y`, `other_width` and `other_height` expressions return the (x, y)-coordinates and size of the compared-to rectangle.

All expressions must return a number-type and the implementation compares the `double`-values returned by the expressions.

A rectangle is considered to intersect another rectangle if:

- `rect_x + rect_width >= other_x` (a is not left of b) and
- `rect_x <= other_x + other_width` (a is not right of b) and
- `rect_y + rect_height >= other_y` (a is not above b) and
- `rect_y <= other_y + other_height` (a is not below b).

Table 20.3. Rectangle-Intersects-Rectangle Examples

Expression	Result
<code>rectangle(10, 20, 5, 5).intersects(rectangle(0, 0, 50, 50))</code>	true
<code>rectangle(10, 20, 5, 5).intersects(rectangle(20, 20, 50, 50))</code>	false
<code>rectangle(10, 20, 5, 5).intersects(rectangle(9, 19, 1, 1))</code>	true
<code>rectangle(10, 20, 5, 5).intersects(rectangle(9, 19, 0.999, 0.999))</code>	false
<code>rectangle(10, 20, 5, 5).intersects(rectangle(15, 25, 1, 1))</code>	true
<code>rectangle(10, 20, 5, 5).intersects(rectangle(15.001, 25.001, 1, 1))</code>	false

20.3. Spatial Index - Quadtree

20.3.1. Overview

A quadtree is a tree data structure in which each branch node has exactly four children. Quadtrees are often used to partition a two-dimensional space by recursively subdividing it into four quadrants or regions (source:WikiPedia).

Quadtree indexes can be used for:

- Filter indexes, which organize active filters so that they can be searched efficiently. When the runtime receives an event, it consults the filter indexes to determine which statements, if any, must process the event.
- Event indexes, which organize properties of events so that they can be searched efficiently. When the runtime performs statement processing it may use event indexes to find correlated events efficiently.

The *point-region quadtree* is a quadtree for the efficient finding of points that fall inside a given rectangle. Use this index with the point-inside-rectangle method described above.

The *MX-CIF quadtree* is a quadtree for the efficient finding of rectangles that intersect with a given rectangle. Use this index with the rectangle-intersects-rectangle method described above.

While point-region quadtree and MX-CIF quadtree are similar, they are not compatible and are not the same. In point-region quadtree, only leaf nodes have data. In MX-CIF quadtrees both branch and leaf nodes have data as branches hold rectangles that don't fit any given quadrant. The runtime expands and shrinks both types of trees dynamically based on data by promoting or

subdividing a leaf node to branch nodes when adding data and by demoting or merging branches to a leaf node when removing data.

20.3.2. Declaring a Point-Region Quadtree Index

Declaring a point-region quadtree index is the same for both filter indexes and event indexes. Point-region quadtrees are suitable for efficiently finding points inside a rectangle, when there are many points.

The synopsis to declare a point-region quadtree index, as part of a statement, is:

```
pointregionquadtree(min_x_expression, min_y_expression,
                    width, height [, leaf_capacity_expression [, max_tree_height_expression]])
```

The *min_x_expression*, *min_y_expression*, *width*, *height* are index parameter expressions that return the range of the index. The width and height must be greater zero. The index range rectangle is represented by double-type values internally. A point is inside the index range if $x \geq \text{minX}$ and $y \geq \text{minY}$ and $x < \text{minX} + \text{width}$ and $y < \text{minY} + \text{height}$.



Note

An attempt to insert points into the index that are outside of the declared index range causes an exception.

The *leaf_capacity_expression* is optional and must return a positive integer. It defines the number of coordinates a node may contain before it gets split into regions. The default value is 4.

The *max_tree_height_expression* is optional and must return an integer value of 2 or more. It defines the maximum depth of the tree. Upon the tree reaching the maximum depth a leaf node does not get split into regions. The default value is 20.

20.3.3. Using a Point-Region Quadtree as a Filter Index

The section that summarizes filter indexes is [Section 2.18.2, “Filter Indexes”](#). As there could be many `point(...).inside(rectangle)` filters active, having a filter index allows the runtime to efficiently match incoming events to statements.

For use of a point-region quadtree index within filter criteria you must:

- Define an expression that returns the point-region quadtree configuration, making sure it specifies `pointregionquadtree`.
- Add the `filterindex` named parameter providing the expression name.

For defining a local or global expression, please consult [Section 5.2.9, “Expression Declaration”](#).

This sample statement defines the point-region quadtree filter index to have a bounding box of `(0,0,100,100)`:

```

expression myPointRegionQuadtreeSettings { pointregionquadtree(0, 0, 100, 100) }
select      *      from      RectangleEvent(point(0,      0,
      filterindex:myPointRegionQuadtreeSettings).inside(rectangle(x,      y,      width,
      height)))

```

The `filterindex` named parameter instructs the runtime that the settings for the point-region quadtree filter index are provided by the expression `myPointRegionQuadtreeSettings`, a local expression in this example. For sharing point-region quadtree settings across statements you may use a global expression instead. Please see [Section 5.18, “Declaring Global Expressions, Aliases and Scripts: Create Expression”](#).

If your EPL does not specify `filterindex` the runtime does not build a point-region quadtree filter index.

If your EPL specifies `filterindex` the runtime always builds and uses a point-region quadtree filter index. In the case the compiler analyses filter criteria and determines that it cannot use the point-region quadtree filter index, the compiler fails statement validation.

If your EPL specifies `filterindex` and the compiler determines that it cannot use the point-region quadtree filter index it fails statement validation.

The runtime shares point-region quadtree filter indexes across the runtime within the same event type given that:

1. Filters have the same `rectangle` expressions.
2. Filters use the same `filterindex` parameter i.e. the text `myPointRegionQuadtreeSettings` in above example.
3. Filters use the same point-region quadtree index configuration i.e. `pointregionquadtree(0,0,100,100)` in above example.

For use with the `filterindex` named parameter, the following requirements apply towards `point` expressions:

1. Point expressions must be a constant, a context-provided built-in property or an event property provided by a previous pattern match within the same pattern.

For use with the `filterindex` named parameter, the following requirements apply towards `rectangle` expressions:

1. Rectangle expressions must be event properties.

20.3.4. Using a Point-Region Quadtree as an Event Index

The section that summarizes event indexes is [Section 2.18.3, “Event Indexes”](#). The `create index` clause is described in [Section 6.9, “Explicitly Indexing Named Windows and Tables”](#).

Declare a point-region quadtree event index as follows:

```
create index ... on ... (  
  (x_expression, y_expression)  
  pointregionquadtree(pointregion_quadtree_configuration)  
)
```

The *x_expression* and *y_expression* expressions form the index columns. The expressions return the (x, y)-coordinates and must return numeric values. Coordinates are represented as double-type values internally. See above for the *pointregion_quadtree_configuration* point-region quadtree configuration.

For example, assume a table that contains points:

```
create table PointTable(pointId string primary key, px double, py double)
```

This example EPL declares an index on the points, with *px* and *py* becoming index columns that determine (x, y)-coordinates:

```
create index PointIndex on PointTable((px, py) pointregionquadtree(0, 0, 100,  
  100))
```

The above sample quadtree index expects (x, y)-coordinates that are in the range $0 \leq px \leq 100$ and $0 \leq py \leq 100$.

The example schema for events providing rectangles is:

```
create schema RectangleEvent(rx double, ry double, w double, h double)
```

This EPL outputs, upon arrival of a *RectangleEvent*, all points that fall inside the rectangle:

```
on RectangleEvent  
select pointId from PointTable  
where point(px, py).inside(rectangle(rx, ry, w, h))
```

Internally the runtime does not instantiate point or rectangle objects at all but instead optimizes the expression to comparison between double-type values.

20.3.4.1. Point-Region Quadtree Event Index Usage Notes

Point-Region quadtree indexes allow computed values for both index columns and index parameters. For example, the following EPL declares an index wherein (x, y)-coordinates are

(`px/100`, `py/100`)-values. The sample EPL assumes that `context.frame` is a built-in property as provided by context `FramedCtx`:

```
context FramedCtx create index PointIndex on PointTable((Math.round(px/100),
    Math.round(py/100)) pointregionquadtree(context.frame.startx,
    context.frame.starty, context.frame.w, context.frame.h))
```

The compiler compares the index column expressions to the `point-inside-rectangle` left-hand-side expressions to determine which index to use. For example, if the expression is `point(px+1, py+1).inside(rectangle(rx, ry, w, h))` as `(px+1, py+1)` does not match `(Math.round(px/100), Math.round(py/100))` the query planner does not use the index. If the expression is `point(Math.round(px/100), Math.round(py/100)).inside(rectangle(rx, ry, w, h))` the query planner does use the index as index column expressions match.

The query planner prefers point-region quadtree over other index types. Index hints are not yet available for query planning with quadtree indexes.

20.3.5. Declaring a MX-CIF Quadtree Index

Declaring a MX-CIF quadtree index is the same for both filter indexes and event indexes. MX-CIF quadtrees are suitable for efficiently finding rectangles that intersect with a rectangle, when there are many rectangles.

The synopsis to declare a MX-CIF quadtree index, as part of a statement, is:

```
mxcifquadtree(min_x_expression, min_y_expression,
    width, height [, leaf_capacity_expression [, max_tree_height_expression]])
```

The `min_x_expression`, `min_y_expression`, `width`, `height` are index parameter expressions that return the range of the index. The width and height must be greater zero. The index range rectangle is represented by `double`-type values internally. A given rectangle must intersect with the index range.



Note

An attempt to insert rectangles into the index that do not intersect with the declared index range causes an exception.

The `leaf_capacity_expression` is optional and must return a positive integer. It defines the number of coordinates a node may contain before it gets split into regions. The default value is 4.

The `max_tree_height_expression` is optional and must return an integer value of 2 or more. It defines the maximum depth of the tree. Upon the tree reaching the maximum depth a leaf node does not get split into regions. The default value is 20.

20.3.6. Using a MX-CIF Quadtree as a Filter Index

The section that summarizes filter indexes is [Section 2.18.2, “Filter Indexes”](#). As there could be many `rectangle(...).intersects(rectangle)` filters active, having a filter index allows the runtime to efficiently match incoming events to statements.

For use of a MX-CIF quadtree index within filter criteria you must:

- Define an expression that returns the MX-CIF quadtree configuration, making sure it specifies `mxcifquadtree`.
- Add the `filterindex` named parameter providing the expression name.

For defining a local or global expression, please consult [Section 5.2.9, “Expression Declaration”](#).

This sample statement defines the MX-CIF quadtree filter index to have a bounding box of `(0,0,100,100)`:

```
expression myMXCIFQuadtreeSettings { mxcifquadtree(0, 0, 100, 100) }
select * from RectangleEvent(rectangle(10, 20, 5, 5,
    filterindex:myMXCIFQuadtreeSettings).intersects(rectangle(x, y, width,
    height)))
```

The `filterindex` named parameter instructs the compiler that the settings for the MX-CIF quadtree filter index are provided by the expression `myMXCIFQuadtreeSettings`, a local expression in this example. For sharing MX-CIF quadtree settings across statements you may use a global expression instead. Please see [Section 5.18, “Declaring Global Expressions, Aliases and Scripts: Create Expression”](#).

If your EPL does not specify `filterindex` the runtime does not build a MX-CIF quadtree filter index.

If your EPL specifies `filterindex` the runtime always builds and uses a MX-CIF quadtree filter index. In the case the compiler analyses filter criteria and determines that it cannot use the MX-CIF quadtree filter index, the compiler fails statement validation.

If your EPL specifies `filterindex` and the compiler determines that it cannot use the MX-CIF quadtree filter index it fails statement validation.

The runtime shares MX-CIF quadtree filter indexes across the runtime within the same event type given that:

1. Filters have the same `rectangle` expressions.
2. Filters use the same `filterindex` parameter i.e. the text `myMXCIFQuadtreeSettings` in above example.

3. Filters use the same MX-CIF quadtree index configuration i.e. `mxcifquadtree(0,0,100,100)` in above example.

For use with the `filterindex` named parameter, the following requirements apply towards left-hand side `rectangle` expressions:

1. Left-hand side rectangle expressions must be a constant, a context-provided built-in property or an event property provided by a previous pattern match within the same pattern.

For use with the `filterindex` named parameter, the following requirements apply towards right-hand side `rectangle` expressions:

1. Right-hand side rectangle expressions must be event properties.

20.3.7. Using a MX-CIF Quadtree as an Event Index

The section that summarizes event indexes is [Section 2.18.3, “Event Indexes”](#). The `create index` clause is described in [Section 6.9, “Explicitly Indexing Named Windows and Tables”](#).

Declare a MX-CIF quadtree event index as follows:

```
create index ... on ... (
  (x_expression, y_expression, width_expression, height_expression)
  mxcifquadtree(mxcif_quadtree_configuration)
)
```

The `x_expression`, `y_expression`, `width_expression` and `height_expression` expressions form the index columns. The expressions return the (x, y)-coordinates and rectangle size and must return numeric values. Coordinates and sizes are represented as `double`-type values internally. See above for the `mxcif_quadtree_configuration` MX-CIF quadtree configuration.

For example, assume a table that contains rectangles:

```
create table RectangleTable(rectangleId string primary key, rx double, ry double,
  rwidth double, rheight double)
```

This example EPL declares an index on the rectangles, with `rx`, `ry`, `rwidth` and `rheight` becoming index columns that determine the (x, y)-coordinates and the sizes:

```
create index RectangleIndex on RectangleTable((rx, ry, rwidth, rheight)
  mxcifquadtree(0, 0, 100, 100))
```

The above sample quadtree index expects rectangles to intersect the rectangle (0, 0, 100, 100).

The example schema for arriving events is:

```
create schema OtherRectangleEvent(otherX double, otherY double, otherWidth
double, otherHeight double)
```

This EPL outputs, upon arrival of a `OtherRectangleEvent`, all rectangles stored in the table that intersect the arriving-events rectangle:

```
on OtherRectangleEvent
select rectangleId from RectangleTable
where rectangle(rx, ry, rwidth, rheight).intersects(rectangle(otherX, otherY,
otherWidth, otherHeight))
```

Internally the runtime does not instantiate rectangle objects at all but instead optimizes the expression to comparison between `double`-type values.

20.3.7.1. MX-CIF Quadtree Event Index Usage Notes

MX-CIF quadtree indexes allow computed values for both index columns and index parameters. For example, the following EPL declares an index wherein (x, y)-coordinates are (px/100, py/100)-values. The sample EPL assumes that `context.frame` is a built-in property as provided by `context FramedCtx`:

```
context          FramedCtx          create          index          RectangleIndex
          on          RectangleTable((Math.round(rx/100),          Math.round(ry/100),
          Math.round(rwidth/100),          Math.round
          mxcifquadtree(context.frame.startx,          context.frame.starty,          context.frame.w,
          context.frame.h))
```

The compiler compares the index column expressions to the `rectangle-intersects-rectangle` left-hand-side expressions to determine which index to use.

The query planner prefers MX-CIF quadtree over other index types. Index hints are not yet available for query planning with quadtree indexes.

20.4. Spatial Types, Functions and Methods from External Libraries

The scope of the compiler and runtime does not include addressing all geographical, topological or spatial processing. We encourage using external libraries for library calls. EPL makes it easy to use and extend EPL, using functions, methods, data types and data structures provided by external libraries.

For example, assume you would like to use a geometric data type and the geographical distance function. Please consider using the Java Topology Suite (JTS) (<https://www.locationtech.org>) which provides a pretty complete set of geo computing functionality.

To pick an example data type, the compiler and runtime allow any class such as the JTS Geometry class (`org.locationtech.jts.geom.Geometry`) to become an event type, an event property type or a column type in a named window, table. The compiler and runtime also allow the use of such class anywhere within EPL expressions.

The EPL snippet below declares an event type that has a Geometry property:

```
create      schema      ShapeArrivalEvent(shapeId      string,      geometry
org.locationtech.jts.geom.Geometry) // use imports to remove the need to have
a package name
```

EPL can call methods and your application can declare its own functions. Registering an own EPL function is described in [Section 22.2, “Single-Row Function”](#).

This sample EPL outputs events that have a `distance` of more than 100 comparing the current event's `geometry` to the last 1 minute of previous event's `geometry`:

```
select * from ShapeArrivalEvent as e1 unidirectional, ShapeArrivalEvent.time(1
minute) as e2
where e1.geometry.distance(e2.geometry) > 100
```


Chapter 21. EPL Reference: Data Flow

21.1. Introduction

Data flows in EPL have the following purposes:

1. Support for data flow programming and flow-based programming.
2. Declarative and runtime manageable integration of input and output adapters that may be provided by EsperIO or by an application.
3. Remove the need to use an event bus achieving dataflow-only visibility of events and event types for performance gains.

Data flow operators communicate via streams of either underlying event objects or wrapped events. Underlying event objects are POJO, Map, Object-array or DOM/XML. Wrapped events are represented by `EventBean` instances that associate type information to underlying event objects.

For more information on data flow programming or flow-based programming please consult the [Wikipedia FBP Article](http://en.wikipedia.org/wiki/Flow-based_programming) [http://en.wikipedia.org/wiki/Flow-based_programming].

EPL offers a number of useful built-in operators that can be combined in a graph to program a data flow. In addition EsperIO offers prebuilt operators that act as sources or sinks of events. An application can easily create and use its own data flow operators.

Using data flows an application can provide events to the data flow operators directly without using an runtime's event bus. Not using an event bus (as represented by the `sendEventType` methods of `EPEventService`) can achieve performance gains as the runtime does not need to match events to statements and the runtime does not need to wrap underlying event objects in `EventBean` instances.

Data flows also allow for finer-grained control over threading, synchronous and asynchronous operation.

21.2. Usage

21.2.1. Overview

Your application declares a data flow using `create dataflow dataflow-name`. Declaring the data flow causes the EPL compiler to validate the syntax and some aspects of the data flow graph of operators. Declaring the data flow does not actually instantiate or execute a data flow. Resolving event types and instantiating operators (as required) takes place at time of data flow instantiation.

After your application has declared a data flow, it can instantiate the data flow and execute it. A data flow can be instantiated as many times as needed and each data flow instance can only be executed once.

The example EPL below creates a data flow that, upon execution, outputs the text `Hello World` to console and then ends.

```
create dataflow HelloWorldDataFlow
  BeaconSource -> helloworld.stream { text: 'hello world' , iterations: 1}
  LogSink(helloworld.stream) {}
```

The sample data flow above declares a `BeaconSource` operator parameterized by the "hello world" text and 1 iteration. The `->` keyword reads as *produces streams*. The `BeaconSource` operator produces a single stream named `helloworld.stream`. The `LogSink` operator receives this stream and prints it unformatted.

The next program code snippet declares the data flow to the runtime:

```
String epl = "create dataflow HelloWorldDataFlow\n" +
  "BeaconSource -> helloworldStream { text: 'hello world' , iterations: 1}\n" +
  "LogSink(helloworldStream) {}";

Configuration configuration = new Configuration();
CompilerArguments compilerArguments = new CompilerArguments(configuration);
EPCompiled compiled = EPCompilerProvider.getCompiler().compile(epl,
  compilerArguments);
EPDeployment deployment = runtime.getDeploymentService().deploy(compiled);
```

After declaring a data flow to a runtime, your application can then instantiate and execute the data flow.

The following program code snippet instantiates the data flow:

```
EPDataFlowInstance instance =
  runtime.getDataFlowService().instantiate(deployment.getDeploymentId(),
  "HelloWorldDataFlow");
```

A data flow instance is represented by an `EPDataFlowInstance` object.

The next code snippet executes the data flow instance:

```
instance.run();
```

By using the `run` method of `EPDataFlowInstance` the runtime executes the data flow using the same thread (blocking execute) and returns when the data flow completes. A data flow completes when all operators receive final markers.

The hello world data flow simply prints an unformatted `Hello World` string to console. Please check the built-in operator reference for `BeaconSource` and `LogSink` for more options.

21.2.2. Syntax

The synopsis for declaring a data flow is:

```
create dataflow name
  [schema_declarations]
  [operator_declarations]
```

After `create dataflow` follows the data flow name and a mixed list of event type (schema) declarations and operator declarations.

Schema declarations define an event type. Specify any number of `create schema` clauses as part of the data flow declaration followed by a comma character to end each schema declaration. The syntax for `create schema` is described in [Section 5.15, “Declaring an Event Type: Create Schema”](#).

All event types that are defined as part of a data flow are private to the data flow and not available to other statements. To define event types that are available across data flows and other statements, use a `create schema` statement, runtime or static configuration.

Annotations as well as expression declarations and scripts can also be pre-pended to the data flow declaration.

21.2.2.1. Operator Declaration

For each operator, declare the operator name, input streams, output streams and operator parameters.

The syntax for declaring a data flow operator is:

```
operator_name [(input_streams)] [-> output_streams] {
  [parameter_name : parameter_value_expr] [, ...]
}
```

The operator name is an identifier that identifies an operator.

If the operator accepts input streams then those may be listed in parenthesis after the operator name, see [Section 21.2.2.2, “Declaring Input Streams”](#).

If the operator can produce output streams then specify `->` followed by a list of output stream names and types. See [Section 21.2.2.3, “Declaring Output Streams”](#).

Following the input and output stream declaration provide curly brackets (`{}`) containing operator parameters. See [Section 21.2.2.4, “Declaring Operator Parameters”](#).

An operator that receives no input streams, produces no output streams and has no parameters assigned to it is shown in this EPL example data flow:

```
create dataflow MyDataFlow
  MyOperatorSimple {}
```

The next EPL shows a data flow that consists of an operator `MyOperator` that receives a single input stream `myInStream` and produces a single output stream `myOutStream` holding `MyEvent` events. The EPL configures the operator parameter `myParameter` with a value of 10:

```
create dataflow MyDataFlow
  create schema MyEvent as (id string, price double),
  MyOperator(myInStream) -> myOutStream<MyEvent> {
    myParameter : 10
  }
```

The next sections outline input stream, output stream and parameter assignment in greater detail.

21.2.2.2. Declaring Input Streams

In case the operator receives input streams, list the input stream names within parenthesis following the operator name. As part of the input stream declaration you may use the `as` keyword to assign an alias short name to one or multiple input streams.

The EPL shown next declares `myInStream` and assigns the alias `mis`:

```
create dataflow MyDataFlow
  MyOperator(myInStream as mis) {}
```

Multiple input streams can be listed separated by comma. We use the term *input port* to mean the ordinal number of the input stream in the order the input streams are listed.

The EPL as below declares two input streams and assigns an alias to each. The runtime assigns `streamOne` to input port 0 (zero) and `streamTwo` to port 1.

```
create dataflow MyDataFlow
  MyOperator(streamOne as one, streamTwo as two) {}
```

You may assign multiple input streams to the same port and alias by placing the stream names into parenthesis. All input streams for the same port must have the same event type associated.

The next statement declares an operator that receives input streams `streamA` and `streamB` both assigned to port 0 (zero) and alias `streamsAB`:

```
create dataflow MyDataFlow
  MyOperator( (streamA, streamB) as streamsAB) {}
```

Input and output stream names can have the dot-character in their name.

The following is also valid EPL:

```
create dataflow MyDataFlow
  MyOperator(my.in.stream) -> my.out.stream {}
```



Note

Reserved keywords may not appear in the stream name.

21.2.2.3. Declaring Output Streams

In case the operator produces output streams, list the output streams after the `->` keyword. Multiple output streams can be listed separated by comma. We use the term *output port* to mean the ordinal number of the output stream in the order the output streams are listed.

The sample EPL below declares an operator that produces two output streams `my.out.one` and `my.out.two`.

```
create dataflow MyDataFlow
  MyOperator -> my.out.one, my.out.two {}
```

Each output stream can be assigned optional type information within less/greater-than (`<>`). Type information is required if the operator cannot deduce the output type from the input type and the operator does not declare explicit output type(s). The event type name can either be an event type defined within the same data flow or an event type defined in the runtime.

This EPL example declares an `RFIDSchema` event type based on an object-array event representation and associates the output stream `rfid.stream` with the `RFIDSchema` type. The stream `rfid.stream` therefore carries object-array (`Object[]`) typed objects according to schema `RFIDSchema`:

```
create dataflow MyDataFlow
  create objectarray schema RFIDSchema (tagId string, locX double, locY double),
```

```
MyOperator -> rfid.stream<RFIDSchema> {}
```

The keyword `eventbean` is reserved: Use `eventbean<type-name>` to indicate that a stream carries `EventBean` instances of the given type instead of the underlying event object.

This EPL example declares an `RFIDSchema` event type based on an object-array event representation and associates the output stream `rfid.stream` with the event type, such that the stream `rfid.stream` carries `EventBean` objects:

```
create dataflow MyDataFlow
  create objectarray schema RFIDSchema (tagId string, locX double, locY double),
  MyOperator -> rfid.stream<eventbean<RFIDSchema>> {}
```

Use questionmark (?) to indicate that the type of events is not known in advance.

In the next EPL the stream `my.stream` carries `EventBean` instances of any type:

```
create dataflow MyDataFlow
  MyOperator -> my.stream<eventbean<?>> {}
```

21.2.2.4. Declaring Operator Parameters

Operators can receive constants, objects, EPL expressions and complete statements as parameters. All parameters are listed within curly brackets ({}) after input and output stream declarations. Curly brackets are required as a separator even if the operator has no parameters.

The syntax for parameters is:

```
name : value_expr [, ...]
```

The parameter name is an identifier that is followed by the colon (:) or equals (=) character and a value expression. A value expression can be any expression, system property, JSON notation object or statement. Parameters are separated by comma character.

The next EPL demonstrates operator parameters that are scalar values:

```
create dataflow MyDataFlow
  MyOperator {
    stringParam : 'sample',
    secondString : "double-quotes are fine",
    intParam : 10
  }
```


Operator parameters can be any EPL expression including expressions that use variables. Subqueries, aggregations and the `prev` and `prior` functions cannot be applied here.

The EPL shown below lists operator parameters that are expressions:

```
create dataflow MyDataFlow
  MyOperator {
    intParam : 24*60*60,
    threshold : var_threshold // a variable defined in the runtime
  }
```

To obtain the value of a system property, the special `systemProperties` property name is reserved for access to system properties.

The following EPL sets operator parameters to a value obtained from a system property:

```
create dataflow MyDataFlow
  MyOperator {
    someSystemProperty : systemProperties('mySystemProperty')
  }
```

Any JSON value can also be used as a value. Use square brackets `[]` for JSON arrays. Use curly brackets `{}` to hold nested Map or other object values. Provide the special `class` property to instantiate a given instance by class name. The runtime populates the respective array, Map or Object as specified in the JSON parameter value.

The below EPL demonstrates operator parameters that are JSON values:

```
create dataflow MyDataFlow
  MyOperator {
    myStringArray: ['a', "b"],
    myMapOrObject: {
      a : 10,
      b : 'xyz',
    },
    myInstance: {
      class: 'com.myorg.myapp.MyImplementation',
      myValue : 'sample'
    }
  }
```

The special parameter name `select` is reserved for use with EPL select statements. Please see the `Select` built-in operator for an example.

21.3. Built-In Operators

The below table summarizes the built-in data flow operators available:

Table 21.1. Built-in Operators

Operator	Description
BeaconSource	Utility source that generates events. See Section 21.3.1, “BeaconSource” .
Emitter	Special operator for injecting events into a stream. See Section 21.4.5, “Start Captive” .
EPStatementSource	One or more statements act as event sources. See Section 21.3.2, “EPStatementSource” .
EventBusSink	The event bus is the sink: Sends events from the data flow into the event bus. See Section 21.3.3, “EventBusSink” .
EventBusSource	The event bus is the source: Receives events from the event bus into the data flow. See Section 21.3.4, “EventBusSource” .
Filter	Filters an input stream and produces an output stream containing the events passing the filter criteria. See Section 21.3.5, “Filter” .
LogSink	Utility sink that outputs events to console or log. See Section 21.3.6, “LogSink” .
Select	An EPL select statement that executes on the input stream events. See Section 21.3.7, “Select” .

The below table summarizes the built-in EsperIO data flow operators. Please see the EsperIO documentation and source for more information.

Table 21.2. EsperIO Built-in Operators

Operator	Description
AMQPSource	Attaches to AMQP broker to receive messages to process.
AMQPSink	Attaches to AMQP broker to send messages.
FileSource	Reads one or more files and produces events from file data.
FileSink	Write one or more files from events received.

21.3.1. BeaconSource

The BeaconSource operator generates events and populates event properties.

The BeaconSource operator does not accept any input streams and has no input ports.

The BeaconSource operator must have a single output stream. When the BeaconSource operator completed generating events according to the number of iterations provided or when it is cancelled it outputs a final marker to the output stream.

Parameters for the BeaconSource operator are all optional parameters:

Table 21.3. BeaconSource Parameters

Name	Description
initialDelay	Specifies the number of seconds delay before producing events.
interval	Time interval between events. Takes a integer or double-typed value for the number of seconds. The interval is zero when not provided.
iterations	Number of events produced. Takes an integer value. When not provided the operator produces tuples until the data flow instance gets cancelled.

Event properties to be populated can simply be added to the parameters.

If your declaration provides an event type for the output stream then BeaconSource will populate event properties of the underlying events. If no event type is specified, BeaconSource creates an anonymous object-array event type to carry the event properties that are generated and associates this type with its output stream.

Examples are:

```
create dataflow MyDataFlow
  create schema SampleSchema(tagId string, locX double), // sample type

  // BeaconSource that produces empty object-array events without delay
  // or interval until cancelled.
  BeaconSource -> stream.one {}

  // BeaconSource that produces one RFIDSchema event populating event properties
  // from a user-defined function "generateTagId" and the provided values.
  BeaconSource -> stream.two<SampleSchema> {
    iterations : 1,
    tagId : generateTagId(),
    locX : 10
  }

  // BeaconSource that produces 10 object-array events populating
  // the price property with a random value.
  BeaconSource -> stream.three {
    iterations : 10,
    interval : 10, // every 10 seconds
    initialDelay : 5, // start after 5 seconds
    price : Math.random() * 100
  }
```

21.3.2. EPStatementSource

The EPStatementSource operator maintains a subscription to the results of one or more statements. The operator produces the statement output events.

The EPStatementSource operator does not accept any input streams and has no input ports.

The EPStatementSource operator must have a single output stream. It does not generate a final or other marker.

Either the statement name or the statement filter parameter is required:

Table 21.4. EPStatementSource Parameters

Name	Description
collector	Optional parameter, used to transform statement output events to submitted events.
statementName	Name of the statement that produces events. The statement does not need to exist at the time of data flow instantiation.
statementFilter	Implementation of the EPDataFlowEPStatementFilter that returns true for each statement that produces events. Statements do not need to exist at the time of data flow instantiation.

If a statement name is provided, the operator subscribes to output events of the statement if the statement exists or when it gets created at a later point in time.

If a statement filter is provided instead, the operator subscribes to output events of all statements that currently exist and pass the filter `pass` method or that get created at a later point in time and pass the filter `pass` method.

The `collector` can be specified to transform output events. If no collector is specified the operator submits the underlying events of the insert stream received from the statement. The collector object must implement the interface `EPDataFlowIRStreamCollector`.

Examples are:

```
create dataflow MyDataFlow
  create schema SampleSchema(tagId string, locX double), // sample type

  // Consider only the statement named MySelectStatement when it exists.
  // No transformation.
  EPStatementSource -> stream.one<eventbean<?>> {
    statementName : 'MySelectStatement'
  }

  // Consider all statements that match the filter object provided.
  // No transformation.
```

```

EPStatementSource -> stream.two<eventbean<?>> {
  statementFilter : {
    class : 'com.mycompany.filters.MyStatementFilter'
  }
}

// Consider all statements that match the filter object provided.
// With collector that performs transformation.
EPStatementSource -> stream.two<SampleSchema> {
  collector : {
    class : 'com.mycompany.filters.MyCollector'
  },
  statementFilter : {
    class : 'com.mycompany.filters.MyStatementFilter'
  }
}

```

21.3.3. EventBusSink

The `EventBusSink` operator send events received from a data flow into the event bus. Any statement that looks for any of the events gets triggered, equivalent to the `sendEventType` methods on `EPEventService` or the `insert into` clause.

The `EventBusSink` operator accepts any number of input streams. The operator forwards all events arriving on any input ports to the event bus, equivalent to the `sendEventType` methods on `EPEventService`.

The `EventBusSink` operator cannot declare any output streams.

Parameters for the `EventBusSink` operator are all optional parameters:

Table 21.5. EventBusSink Parameters

Name	Description
collector	Optional parameter, used to transform data flow events to event bus events.

The `collector` can be specified to transform data flow events to event bus events. If no collector is specified the operator submits the events directly to the event bus. The collector object must implement the interface `EPDataFlowEventCollector`.

Examples are:

```

create dataflow MyDataFlow
  BeaconSource -> instream<SampleSchema> {} // produces a sample stream

  // Send SampleSchema events produced by beacon to the event bus.
  EventBusSink(instream) {}

```

```

// Send SampleSchema events produced by beacon to the event bus.
// With collector that performs transformation.
EventBusSink(instream) {
  collector : {
    class : 'com.mycompany.filters.MyCollector'
  }
}

```

21.3.4. EventBusSource

The `EventBusSource` operator receives events from the event bus and produces an output stream of the events received. With the term event bus we mean any event visible to the runtime either because the application send the event via any of the `sendEventType` methods on `EPEventService` or because statements populated streams as a result of `insert into`.

The `EventBusSource` operator does not accept any input streams and has no input ports.

The `EventBusSource` operator must have a single output stream. It does not generate a final or other marker. The event type declared for the output stream is the event type of events received from the event bus.

All parameters to `EventBusSource` are optional:

Table 21.6. EventBusSource Parameters

Name	Description
collector	Optional parameter and used to transform event bus events to submitted events.
filter	Filter expression for event bus matching.

The `collector` can be specified to transform output events. If no collector is specified the operator submits the underlying events of the stream received from the event bus. The collector object must implement the interface `EPDataFlowEventBeanCollector`.

The `filter` is an expression that the event bus compiles and efficiently matches even in the presence of a large number of event bus sources. The filter expression must return a boolean-typed value, returning true for those events that the event bus passes to the operator.

Examples are:

```

create dataflow MyDataFlow

// Receive all SampleSchema events from the event bus.
// No transformation.
EventBusSource -> stream.one<SampleSchema> {}

```

```

// Receive all SampleSchema events with tag id '001' from the event bus.
// No transformation.
EventBusSource -> stream.one<SampleSchema> {
  filter : tagId = '001'
}

// Receive all SampleSchema events from the event bus.
// With collector that performs transformation.
EventBusSource -> stream.two<SampleSchema> {
  collector : {
    class : 'com.mycompany.filters.MyCollector'
  },
}

```

21.3.5. Filter

The Filter operator filters an input stream and produces an output stream containing the events passing the filter criteria. If a second output stream is provided, the operator sends events not passing filter criteria to that output stream.

The Filter operator accepts a single input stream.

The Filter operator requires one or two output streams. The event type of the input and output stream(s) must be the same. The first output stream receives the matching events according to the filter expression. If declaring two output streams, the second stream receives non-matching events.

The Filter operator has a single required parameter:

Table 21.7. Filter Parameters

Name	Description
filter	The filter criteria expression.

Examples are:

```

create dataflow MyDataFlow
  create schema SampleSchema(tagId string, locX double), // sample type
  BeaconSource -> samplestream<SampleSchema> {} // sample source

  // Filter all events that have a tag id of '001'
  Filter(samplestream) -> tags_001 {
    filter : tagId = '001'
  }

  // Filter all events that have a tag id of '001',

```

```
// putting all other events into the second stream
Filter(samplestream) -> tags_001, tags_other {
  filter : tagId = '001'
}
```

21.3.6. LogSink

The LogSink operator outputs events to console or log file in either a JSON, XML or built-in format (the default).

The LogSink operator accepts any number of input streams. All events arriving on any input ports are logged.

The LogSink operator cannot declare any output streams.

Parameters for the LogSink operator are all optional parameters:

Table 21.8. LogSink Parameters

Name	Description
format	Specify format as a string value: <code>json</code> for JSON-formatted output, <code>xml</code> for XML-formatted output and <code>summary</code> (default) for a built-in format.
layout	Pattern string according to which output is formatted. Place <code>%df</code> for data flow name, <code>%p</code> for port number, <code>%i</code> for data flow instance id, <code>%t</code> for title, <code>%e</code> for event data.
log	Boolean <code>true</code> (default) for log output, <code>false</code> for console output.
linefeed	Boolean <code>true</code> (default) for line feed, <code>false</code> for no line feed.
title	String title text pre-pended to output.

Examples are:

```
create dataflow MyDataFlow
  BeaconSource -> instream {} // produces sample stream to use below

  // Output textual event to log using defaults.
  LogSink(instream) {}

  // Output JSON-formatted to console.
  LogSink(instream) {
    format : 'json',
    layout : '%t [%e]',
    log : false,
    linefeed : true,
    title : 'My Custom Title:'
  }
```


21.3.7. Select

The Select operator is configured with an EPL select statement. It applies events from input streams to the select statement and outputs results either continuously or when the final marker arrives.

The Select operator accepts one or more input streams.

The Select operator requires a single output stream.

The Select operator requires the `select` parameter, all other parameters are optional:

Table 21.9. Select Operator Parameters

Name	Description
<code>iterate</code>	Boolean indicator whether results should be output continuously or only upon arrival of the final marker.
<code>select</code>	EPL <code>select</code> statement in parenthesis.

Set the optional `iterate` flag to false (the default) to have the operator output results continuously. Set the `iterate` flag to true to indicate that the operator outputs results only when the final marker arrives. If `iterate` is true then output rate limiting clauses are not supported.

The `select` parameter is required and provides an EPL select statement within parenthesis. For each input port the statement should list the input stream name or the alias name in the `from` clause. Only filter-based streams are allowed in the `from` clause and patterns or named windows are not supported. Also not allowed are the `insert into` clause, the `irstream` keyword and subselects.

The Select operator determines the event type of output events based on the `select` clause. It is not necessary to declare an event type for the output stream.

Examples are:

```
create dataflow MyDataFlow
  create schema SampleSchema(tagId string, locX double), // sample type
  BeaconSource -> instream<SampleSchema> {} // sample stream
  BeaconSource -> secondstream<SampleSchema> {} // sample stream

  // Simple continuous count of events
  Select(instream) -> outstream {
    select: (select count(*) from instream)
  }

  // Demonstrate use of alias
  Select(instream as myalias) -> outstream {
    select: (select count(*) from myalias)
  }
```

```
// Output only when the final marker arrives
Select(instream as myalias) -> outstream {
    select: (select count(*) from myalias),
    iterate: true
}

// Same input port for the two sample streams
Select( (instream, secondstream) as myalias) -> outstream {
    select: (select count(*) from myalias)
}

// A join with multiple input streams,
// joining the last event per stream forming pairs
Select(instream, secondstream) -> outstream {
    select: (select a.tagId, b.tagId
            from instream#lastevent as a, secondstream#lastevent as b)
}

// A join with multiple input streams and using aliases.
Select(instream as S1, secondstream as S2) -> outstream {
    select: (select a.tagId, b.tagId
            from S1#lastevent as a, S2#lastevent as b)
}
```

21.4. API

This section outlines the steps to declare, instantiate, execute and cancel or complete data flows.

21.4.1. Declaring a Data Flow

Compile data flow the same as any other statement and deploy the compiled module. The `EPStatementObjectModel` statement object model can also be used to compile a data flow.

Annotations that are listed at the top of the EPL text are applied to all statements and operators in the data flow. Annotations listed for a specific operator apply to that operator only.

The next program code snippet declares a data flow to the runtime:

```
String epl = "@Name('MyStatementName') create dataflow HelloWorldDataFlow\n" +
    "BeaconSource -> helloworldStream { text: 'hello world' , iterations: 1}\n" +
    "LogSink(helloworldStream) {}";

Configuration configuration = new Configuration();
CompilerArguments compilerArguments = new CompilerArguments(configuration);
EPCompiled compiled = EPCompilerProvider.getCompiler().compile(epl,
    compilerArguments);
```

```
EPDeployment deployment = runtime.getDeploymentService().deploy(compiled);
```

The statement name that can be assigned to the statement is used only for statement management. Your application may undeploy the statement declaring the data flow thereby making the data flow unavailable for instantiation. Existing instances of the data flow are not affected by an undeploy of the statement that declares the data flow.

Listeners or the subscriber to the statement declaring a data flow receive no events or other output. The statement declaring a data flow returns no rows when iterated.

21.4.2. Instantiating a Data Flow

The `com.espertech.esper.common.client.dataflow.core.EPDataFlowService` available via `getDataFlowService` on `EPRuntime` manages declared data flows.

Use the `instantiate` method on `EPDataFlowRuntime` to instantiate a data flow after it has been declared. Pass the data flow name and optional instantiation options to the method. A data flow can be instantiated any number of times.

A data flow instance is represented by an instance of `EPDataFlowInstance`. Each instance has a state as well as methods to start, run, join and cancel as well as methods to obtain execution statistics.

Various optional arguments including operator parameters can be passed to `instantiate` via the `EPDataFlowInstantiationOptions` object as explained in more detail below.

The following code snippet instantiates the data flow:

```
EPDataFlowInstance instance =
    runtime.getDataFlowService().instantiate(deployment.getDeploymentId(),
        "HelloWorldDataFlow");
```

The runtime does not track or otherwise retain data flow instances in memory. It is up to your application to retain data flow instances as needed.

Each data flow instance associates to a state. The start state is `EPDataFlowState.INSTANTIATED`. The end state is either `COMPLETED` or `CANCELLED`.

The following table outlines all states:

Table 21.10. Data Flow Instance States

State	Description
INSTANTIATED	Start state, applies when a data flow instance has been instantiated and has not executed.

State	Description
RUNNING	A data flow instance transitions from instantiated to running when any of the <code>start</code> , <code>run</code> or <code>startCaptive</code> methods are invoked.
COMPLETED	A data flow instance transitions from running to completed when all final markers have been processed by all operators.
CANCELLED	A data flow instance transitions from running to cancelled when your application invokes the <code>cancel</code> method on the data flow instance.

21.4.3. Executing a Data Flow

After your application instantiated a data flow instance it can execute the data flow instance using either the `start`, `run` or `startCaptive` methods.

Use the `start` method to have the runtime allocate a thread for each source operator. Execution is non-blocking. Use the `join` method to have one or more threads join a data flow instance execution.

Use the `run` method to have the runtime use the current thread to execute the single source operator. Multiple source operators are not allowed when using `run`.

Use the `startCaptive` method to have the runtime return all `Runnable` instances and emitters, for the purpose of having complete control over execution. The runtime allocates no threads and does not perform any logic for the data flow unless your application employs the `Runnable` instances and emitters returned by the method.

The next code snippet executes the data flow instance as a blocking call:

```
instance.run();
```

By using the `run` method of `EPDataFlowInstance` the runtime executes the data flow instance using the same thread (blocking execute) and returns when the data flow instance completes. A data flow instance completes when all operators receive final markers.

The hello world data flow simply prints an unformatted `Hello World` string to console. The `BeaconSource` operator generates a final marker when it finishes the 1 iteration. The data flow instance thus transitions to complete after the `LogSink` operator receives the final marker, and the thread invoking the `run` method returns.

The next code snippet executes the data flow instance as a non-blocking call:

```
instance.start();
```

Use the `cancel` method to cancel execution of a running data flow instance:

```
instance.cancel();
```

Use the `join` method to join execution of a running data flow instance, causing the joining thread to block until the data flow instance either completes or is cancelled:

```
instance.join();
```

21.4.4. Instantiation Options

The `EPDataFlowInstantiationOptions` object that can be passed to the `instantiate` method may be used to customize the operator graph, operator parameters and execution of the data flow instance.

Passing runtime parameters to data flow operators is easiest using the `addParameterURI` method. The first parameter is the data flow operator name and the operator parameter name separated by the slash character. The second parameter is the value object.

For example, in order to pass the file name to the `FileSource` operator at runtime, use the following code:

```
EPDataFlowInstantiationOptions options = new EPDataFlowInstantiationOptions();
options.addParameterURI("FileSource/file", filename);
EPDataFlowInstance instance =
    new EPDataFlowInstance("MyFileReaderDataFlow", options);
instance.run();
```

The optional `operatorProvider` member takes an implementation of the `EPDataFlowOperatorProvider` interface. The runtime invokes this provider to obtain operator instances.

The optional `parameterProvider` member takes an implementation of the `EPDataFlowOperatorParameterProvider` interface. The runtime invokes this provider to obtain operator parameter values. The values override the values provided via parameter URI above.

The optional `exceptionHandler` member takes an implementation of the `EPDataFlowExceptionHandler` interface. The runtime invokes this provider to when exceptions occur.

The optional `dataFlowInstanceId` can be assigned any string value for the purpose of identifying the data flow instance.

The optional `dataFlowInstanceUserObject` can be assigned any object value for the purpose of associating a user object to the data flow instance.

Set the `operatorStatistics` flag to true to obtain statistics for operator execution.

Set the `cpuStatistics` flag to true to obtain CPU statistics for operator execution.

21.4.5. Start Captive

Use the `startCaptive` method on a `EPDataFlowInstance` data flow instance when your application requires full control over threading. This method returns an `EPDataFlowInstanceCaptive` instance that contains a list of `java.lang.Runnable` instances that represent each source operator.

The special `Emitter` operator can occur in a data flow. This emitter can be used to inject events into the data flow without writing a new operator. `Emitter` takes a single `name` parameter that provides the name of the emitter and that is returned in a map of emitters by `EPDataFlowInstanceCaptive`.

The example EPL below creates a data flow that uses emitter.

```
create dataflow HelloWorldDataFlow
  create objectarray schema SampleSchema(text string), // sample type

  Emitter -> helloworld.stream<SampleSchema> { name: 'myemitter' }
  LogSink(helloworld.stream) {}
```

Your application may obtain the `Emitter` instance and sends events directly into the output stream. This feature is only supported in relationship with `startCaptive` since the runtime does not allocate any threads or run source operators.

The example code snippet below obtains the emitter instance and send events directly into the data flow instance:

```
EPDataFlowInstance instance =
    runtime.getDataFlowService().instantiate(deployment.getDeploymentId(),
    "HelloWorldDataFlow", options);
EPDataFlowInstanceCaptive captiveStart = instance.startCaptive();
Emitter emitter = captiveStart.getEmitters().get("myemitter");
emitter.submit(new Object[] {"this is some text"});
```

When emitting DOM XML events please emit the root element obtained from `document.getDocumentElement()`.

21.4.6. Data Flow Punctuation With Markers

When your application executes a data flow instance by means of the `start` (non-blocking) or `run` (blocking) methods, the data flow instance stays running until either completed or cancelled. While cancellation is always via the `cancel` method, completion occurs when all source operators provide final markers.

The final marker is an object that implements the `EPDataFlowSignalFinalMarker` interface. Some operators may also provide or process data window markers which implement the `EPDataFlowSignalWindowMarker` interface. All such signals implement the `EPDataFlowSignal` interface.

Some source operators such as `EventBusSource` and `EPStatementSource` do not generate final markers as they act continuously.

21.4.7. Exception Handling

All exceptions during the execution of a data flow are logged and reported to the `EPDataFlowExceptionHandler` instance if one was provided.

If no exception handler is provided or the provided exception handler re-throws or generates a new runtime exception, the source operator handles the exception and completes (ends). When all source operators complete then the data flow instance transitions to complete.

21.5. Examples

The following example is a rolling top words count implemented as a data flow, over a 30 second time window and providing the top 3 words every 2 seconds:

```
create dataflow RollingTopWords
  create objectarray schema WordEvent (word string),

  Emitter -> wordstream<WordEvent> {name:'a'} {} // Produces word stream

  Select(wordstream) -> wordcount { // Sliding time window count per word
    select: (select word, count(*) as wordcount
            from wordstream#time(30) group by word)
  }

  Select(wordcount) -> wordranks { // Rank of words
    select: (select window(*) as rankedWords
            from wordcount#sort(3, wordcount desc)
            output snapshot every 2 seconds)
  }

  LogSink(wordranks) {}
```

The next example implements a bargain index computation that separates a mixed trade and quote event stream into a trade and a quote stream, computes a vwap and joins the two streams to compute an index:

```
create dataflow VWAPSample
  create objectarray schema TradeQuoteType as (type string, ticker string, price
  double, volume long, askprice double, asksize long),

  MyObjectArrayGraphSource -> TradeQuoteStream<TradeQuoteType> {}

  Filter(TradeQuoteStream) -> TradeStream {
    filter: type = "trade"
  }

  Filter(TradeQuoteStream) -> QuoteStream {
    filter: type = "quote"
  }

  Select(TradeStream) -> VwapTrades {
    select: (select ticker, sum(price * volume) / sum(volume) as vwap,
    min(price) as minprice
    from TradeStream#groupwin(ticker)#length(4) group by ticker)
  }

  Select(VwapTrades as T, QuoteStream as Q) -> BargainIndex {
    select:
      (select case when vwap > askprice then asksize * (Math.exp(vwap - askprice))
    else 0.0d end as index
    from T#unique(ticker) as t, Q#lastevent as q
    where t.ticker = q.ticker)
  }

  LogSink(BargainIndex) {}
```

The final example is a word count data flow, in which three custom operators tokenize, word count and aggregate. The custom operators in this example are discussed next.

```
create dataflow WordCount
  MyLineFeedSource -> LineOfTextStream {}
  MyTokenizerCounter(LineOfTextStream) -> SingleLineCountStream {}
  MyWordCountAggregator(SingleLineCountStream) -> WordCountStream {}
  LogSink(WordCountStream) {}
```


21.6. Operator Implementation



Note

Implementing an operator requires the use of extension and internal APIs that are not considered stable and may change between versions.

This section discusses how to implement classes that serve as operators in a data flow. The section employs the example data flow as shown earlier.

This example data flow has operators `MyLineFeedSource`, `MyTokenizerCounter` and `MyWordCountAggregator` that are application provided operators:

```
create dataflow WordCount
  MyLineFeedSource -> LineOfTextStream {}
  MyTokenizerCounter(LineOfTextStream) -> SingleLineCountStream {}
  MyWordCountAggregator(SingleLineCountStream) -> WordCountStream {}
  LogSink(WordCountStream) {}
```

Each operator requires implementing the following interfaces:

- Implement the `DataFlowOperatorForge` interface for the compiler to use.
- Implement the `DataFlowOperatorFactory` interface for the runtime to instantiate operator instances.
- Implement either the `DataFlowOperator` interface, the `DataFlowOperatorLifecycle` or the `DataFlowSourceOperator` interface.

The compiler must be able to find the class implementing `DataFlowOperatorForge`. Add the forge package or forge class to imports:

```
// Sample code adds 'package.*' to simply import the package.
Configuration configuration = new Configuration();
configuration.getCommon().addImport(MyLineFeedSourceForge.class.getName());
```

21.6.1. Sample Operator Acting as Source

Every operator has a forge class that implements the `DataFlowOperatorForge` interface and is only used at compile-time. The compiler provides the operator parameter expressions to the forge instance and invokes the `initializeForge` method. When it is time to compile the compiler generates code by invoking the `make` method.

```

// The OutputTypes annotation can be used to specify the type of events
// that are output by the operator.
// If provided, it is not necessary to declare output types in the data flow.
// The event representation is object-array.
@OutputTypes(value = {
    @OutputType(name = "line", typeName = "String")
})

// Provide the DataFlowOpProvideSignal annotation to indicate that
// the source operator provides a final marker.
@DataFlowOpProvideSignal
public class MyLineFeedSourceForge implements DataFlowOperatorForge {

    public DataFlowOpForgeInitializeResult
    initializeForge(DataFlowOpForgeInitializeContext context) throws
    ExprValidationException {
        return null;
    }

    public CodegenExpression make(CodegenMethodScope parent,
    SAIFFInitializeSymbol symbols, CodegenClassScope classScope) {
        return newInstance(MyLineFeedSourceFactory.class);
    }
}

```

The operator factory class must implement the `DataFlowOperatorFactory` interface. At deployment time the operator factory initializes using the code generated in the `make` method. Upon instantiating a data flow the factory must return an operator instance.

The implementation for the sample `MyLineFeedSourceFactory` is:

```

public class MyLineFeedSourceFactory implements DataFlowOperatorFactory {

    public void initializeFactory(DataFlowOpFactoryInitializeContext context) {
    }

    public DataFlowOperator operator(DataFlowOpInitializeContext context) {
        return new MyLineFeedSource(Collections.emptyIterator());
    }
}

```

The operator implementation for the sample `MyLineFeedSource` is:

```

public class MyLineFeedSource implements DataFlowSourceOperator {

```

```

@DataFlowContext
private EPDataFlowEmitter dataFlowEmitter;

private final Iterator<String> lines;

public MyLineFeedSource(Iterator<String> lines) {
    this.lines = lines;
}

public void open(DataFlowOpOpenContext openContext) {
}

public void next() {
    if (lines.hasNext()) {
        dataFlowEmitter.submit(new Object[]{lines.next()});
    } else {
        dataFlowEmitter.submitSignal(new EPDataFlowSignalFinalMarker() {
        });
    }
}

public void close(DataFlowOpCloseContext openContext) {
}
}

```

21.6.2. Sample Tokenizer Operator

The implementation for the sample `MyTokenizerCounter` is a forge, factory and operator in one class:

```

@OutputTypes({
    @OutputType(name = "line", type = int.class),
    @OutputType(name = "wordCount", type = int.class),
    @OutputType(name = "charCount", type = int.class)
})
public class MyTokenizerCounter implements DataFlowOperatorForge,
DataFlowOperatorFactory, DataFlowOperator {
    private static final Logger log =
LoggerFactory.getLogger(MyTokenizerCounter.class);

    @DataFlowContext
    private EPDataFlowEmitter graphContext;

    public DataFlowOpForgeInitializeResult
    initializeForge(DataFlowOpForgeInitializeContext context) throws
ExprValidationException {
        return null;
    }
}

```

```

    }

    public CodegenExpression make(CodegenMethodScope parent,
        SAIFFInitializeSymbol symbols, CodegenClassScope classScope) {
        return newInstance(MyTokenizerCounter.class);
    }

    public void initializeFactory(DataFlowOpFactoryInitializeContext context) {
    }

    public DataFlowOperator operator(DataFlowOpInitializeContext context) {
        return new MyTokenizerCounter();
    }

    public void onInput(String line) {
        StringTokenizer tokenizer = new StringTokenizer(line, " \t");
        int wordCount = tokenizer.countTokens();
        int charCount = 0;
        while (tokenizer.hasMoreTokens()) {
            String token = tokenizer.nextToken();
            charCount += token.length();
        }
        log.debug("Submitting stat words[" + wordCount + "] chars[" + charCount
            + "] for line '" + line + "'");
        graphContext.submit(new Object[]{1, wordCount, charCount});
    }
}

```

21.6.3. Sample Aggregator Operator

The implementation for the sample `MyWordCountAggregator` with comments is:

```

@OutputTypes(value = {
    @OutputType(name = "stats", type = MyWordCountStats.class)
})
public class MyWordCountAggregator implements DataFlowOperatorForge,
    DataFlowOperatorFactory, DataFlowOperator {
    private static final Logger log =
        LoggerFactory.getLogger(MyWordCountAggregator.class);

    @DataFlowContext
    private EPDataFlowEmitter graphContext;

    private final MyWordCountStats aggregate = new MyWordCountStats();

```

```

        public DataFlowOpForgeInitializeResult
        initializeForge(DataFlowOpForgeInitializeContext context) throws
        ExprValidationException {
            return null;
        }

        public CodegenExpression make(CodegenMethodScope parent,
        SAIFFInitializeSymbol symbols, CodegenClassScope classScope) {
            return newInstance(MyWordCountAggregator.class);
        }

        public void initializeFactory(DataFlowOpFactoryInitializeContext context) {
        }

        public DataFlowOperator operator(DataFlowOpInitializeContext context) {
            return new MyWordCountAggregator();
        }

        public void onInput(int lines, int words, int chars) {
            aggregate.add(lines, words, chars);
            log.debug("Aggregated: " + aggregate);
        }

        public void onSignal(EPDataFlowSignal signal) {
            log.debug("Received punctuation, submitting totals: " + aggregate);
            graphContext.submit(aggregate);
        }
    }
}

```

21.6.4. Passing Operator Parameters

The forge instance receives parameters expressions. A forge can declare parameters like so:

```

// Expose a parameter named "file" that takes any expression as parameter
@DataFlowOpParameter
private ExprNode file;

// Expose a parameter named "adapterInputSource" that will be an instance of
// some interface
// Interface implementations as parameters are declare a Map<String, Object>
@DataFlowOpParameter
private Map<String, Object> adapterInputSource;

// Expose a parameter named "propertyNames" that is an array of string constants
@DataFlowOpParameter
private String[] propertyNames;

```

The forge class can obtain the output event type if needed. It should also validate the expression parameters and throw `ExprValidationException` if the parameter expression does not return the expected type. The utility class `DataFlowParameterValidation` has validate utility methods that return a validated expression: For example:

```
public                               DataFlowOpForgeInitializeResult
    initializeForge(DataFlowOpForgeInitializeContext context) throws
    ExprValidationException {
    // Obtain the declared output event type
    outputEventType = context.getOutputPorts().get(0).getOptionalDeclaredType() !
=                                     null                                     ?
    context.getOutputPorts().get(0).getOptionalDeclaredType().getEventType() :
    null;
    if (outputEventType == null) {
        throw new ExprValidationException("No event type provided for output, please
        provide an event type name");
    }

    // validate the "file" parameter expression expected to return a String-typed
    value
    file = DataFlowParameterValidation.validate("file", file, String.class,
    context);
    return null;
}
```

The forge class passes parameters to the factory. We use `SAIFFInitializeBuilder` that is a builder utility for building the factory. For example:

```
public CodegenExpression make(CodegenMethodScope parent, SAIFFInitializeSymbol
    symbols, CodegenClassScope classScope) {
    return new SAIFFInitializeBuilder(FileSourceFactory.class, this.getClass(),
    "factory", parent, symbols, classScope)
        .exprnode("file", file)
        .constant("propertyNames", propertyNames)
        .map("adapterInputSource", adapterInputSource)
        .build();
}
```

The factory class must have setter-methods of the same name that receive the parameters:

```
private ExprEvaluator file;
private String[] propertyNames;
private Map<String, Object> adapterInputSource;
```

```
public void setFile(ExprEvaluator file) {
    this.file = file;
}

public void setPropertyNames(String[] propertyNames) {
    this.propertyNames = propertyNames;
}

public void setAdapterInputSource(Map<String, Object> adapterInputSource) {
    this.adapterInputSource = adapterInputSource;
}
```

The factory class can resolve parameter values by evaluating expressions and by determining whether parameters were passed as options. The `DataFlowParameterResolution` class provides convenience methods. For example:

```
public DataFlowOperator operator(DataFlowOpInitializeContext context) {
    String fileName = DataFlowParameterResolution.resolveWithDefault("file", file,
        null, String.class, context);
    AdapterInputSource adapterInputSourceInstance =
        adapterInputSource, AdapterInputSource.class, context);
    return new MyOperator(fileName, adapterInputSourceInstance);
}
```


Chapter 22. Integration and Extension

22.1. Overview

This chapter summarizes integration and describes in detail each of the extension APIs that allow integrating external data and/or extend runtime functionality.

For information on calling external services via instance method invocation, for instance to integrate with dependency injection frameworks such as Spring or Guice, please see [Section 5.17.5, “Class and Event-Type Variables”](#).

For information on input and output adapters that connect to an event transport and perform event transformation for incoming and outgoing on-the-wire event data, for use with streaming data, please see the EsperIO reference documentation. The data flow instances as described in [Chapter 21, EPL Reference: Data Flow](#) are an easy way to plug in operators that perform input and output. Data flows allow providing parameters and managing individual flows independent of runtime lifecycle. Also consider using the Plug-in Loader API for creating a new adapter that starts or stops as part of the CEP runtime initialization and destroy lifecycle, see [Section 16.15, “Plug-In Loader”](#).

To join data that resides in a relational database and that is accessible via JDBC driver and SQL statement the runtime offers syntax for using SQL within EPL, see [Section 5.13, “Accessing Relational Data via SQL”](#). A relational database input and output adapter for streaming input from and output to a relational database also exists (EsperIO).

To join data that resides in a non-relational store the runtime offers a two means: First, the virtual data window, as described below, for transparently integrating the external store as a named window. The second mechanism is a special join syntax based on static method invocation; see [Section 5.14, “Accessing Non-Relational Data via Method, Script or UDF Invocation”](#).



Tip

The best way to test that your extension code works correctly is to write unit tests against a statement that utilizes the extension code. Samples can be obtained from Esper regression test code base.



Note

For all extension code and similar to listeners and subscribers, to send events into the runtime from extension code the `routeEvent` method should be used (and not `sendEvent`) to avoid the possibility of stack overflow due to event-callback

looping and ensure correct processing of the current and routed event. Note that if outbound-threading is enabled, listeners and subscribers should use `sendEvent` and not `routeEvent`.



Note

For all extension code it is not safe to deploy and undeploy within the extension code. For example, it is not safe to implement a data window that deploys compiled modules and that undeploys deployments.

22.2. Single-Row Function

Single-row functions return a single value. They are not expected to aggregate rows but instead should be stateless non-blocking functions. These functions can appear in any expressions and can be passed any number of parameters.

You may not override a built-in function with a single-row function provided by you. The single-row function you register must have a different name than any of the built-in functions.

The EPL compiler provides two ways to provide plug-in single-row functions:

1. An inlined class that is part of the same EPL module or another EPL module, see next under [Section 22.2.1, “Using an Inlined Class to Provide a Single-Row Function”](#).
2. An external class that your application provides as part of the application, see below under [Section 22.2.2, “Using an Application Class to Provide a Single-Row Function”](#).

An example single-row function can also be found in the examples under the runtime configuration example.

22.2.1. Using an Inlined Class to Provide a Single-Row Function

You may use an inline class that is part of the EPL modules to provide a single-row function. For more information on inline classes see [Chapter 18, Inlined Classes](#). Using an inline class does not require any compiler configuration.

Specify the `ExtensionSingleRowFunction` annotation on the class level and the `name` (the EPL function name) and `methodName` (the name of the exposed method). This annotation instructs the compiler that the inlined class exposes a single-row function.

This sample EPL includes an inlined class by name `MyUtilityClass` that provides a public static method by name `computePercent` to return a percentage value:

```
inlined_class ""  
  
methodName="computePercent")
```

```

public class MyUtilityClass {
    public static double computePercent(double amount, double total) {
        return amount / total * 100;
    }
}
"""
select computePercent(itemQuantity,totalQuantity) from OrderEvent

```

Only one `ExtensionSingleRowFunction` annotation can be specified per class and the annotation is only for use with inlined classes. The method can be overloaded. Using an inline class does not require any compiler configuration.

When using `create inlined_class` the runtime resolves dependencies on EPL objects at time of deployment (the same as for all EPL objects).

22.2.2. Using an Application Class to Provide a Single-Row Function

Your application may provide a class that exposes a single-row function. In this case you must configure the class name, name of the function and function method name as part of compiler configuration. This is not necessary when using inlined classes as discussed before.

22.2.2.1. Implementing a Single-Row Function

Single-row function classes have no further requirement then provide a public static method.

The following sample single-row function simply computes a percentage value based on two number values.

This sample class provides a public static method by name `computePercent` to return a percentage value:

```

public class MyUtilityClass {
    public static double computePercent(double amount, double total) {
        return amount / total * 100;
    }
}

```

22.2.2.2. Configuring the Single-Row Function Name

The class name of the class, the method name and the function name of the new single-row function must be added to the compiler configuration. The configuration shown below is XML however the same options are available through the configuration API:

```
<esper-configuration xmlns="http://www.espertech.com/schema/esper">
```

```
<compiler>
    <plugin-singlerow-function name="percent" function-
class="mycompany.MyUtilityClass" function-method="computePercent" />
</compiler>
</esper-configuration>
```

Note that the function name and method name need not be the same.

The new single-row function is now ready to use in a statement:

```
select percent(fulfilled,total) from MyEvent
```

When selecting from a single stream, you may also pass wildcard to the single-row function and the function receives the underlying event:

```
select percent(*) from MyEvent
```

If the single-row function returns an object that provides further functions, you may chain function calls.

The following demonstrates a chained single-row function. The example assumes that a single-row function by name `calculator` returns an object that provides the `add` function which accepts two parameters:

```
select calculator().add(5, amount) from MyEvent
```

22.2.3. Value Cache

When a single-row function receives parameters that are all constant values or expressions that themselves receive only constant values, the runtime can pre-evaluate the result of the single-row function at time of statement. By default, the runtime does not pre-evaluate the single-row function unless you configure the value cache as enabled.

If using inlined classes and the `ExtensionSingleRowFunction` annotation, to enable specify the value cache as follows (default is disabled):

```
ExtensionSingleRowFunction(...,
    valueCache=com.espertech.esper.common.client.configuration.compiler.ConfigurationCompilerPlug
```

If using application classes and the compiler configuration, the following configuration XML enables the value cache for the single-row function:

```
<esper-configuration xmlns="http://www.espertech.com/schema/esper">
  <compiler>
    <plugin-singlerow-function name="getDate"
      function-class="mycompany.DateUtil" function-method="parseDate"
      value-cache="enabled" />
  </compiler>
</esper-configuration>
```

When the single-row function receives constants as parameters, the runtime computes the result once and returns the cached result for each evaluation:

```
select getDate('2002-05-30T9:00:00.000') from MyEvent
```

22.2.4. Single-Row Functions in Filter Predicate Expressions

Your EPL may use plug-in single row functions among the predicate expressions as part of the filters in a stream or pattern.

For example, the EPL below uses the function `computeHash` as part of a predicate expression:

```
select * from MyEvent(computeHash(field) = 100)
```

When you have many statements or many context partitions that refer to the same function, event type and parameters in a predicate expression, the compiler may optimize evaluation: The function gets evaluated only once per event.

While the optimization is enabled by default for all plug-in single row functions, you can also disable the optimization for a specific single-row function. By disabling the optimization for a single-row function the runtime may use less memory to identify reusable function footprints but may cause the runtime to evaluate each function more frequently than necessary.

If using inlined classes and the `ExtensionSingleRowFunction` annotation, specify the filter optimizable flag as follows (default is enabled):

```
ExtensionSingleRowFunction(...,
  filterOptimizable=com.espertech.esper.common.client.configuration.compiler.ConfigurationCompi
```

If using application classes and the compiler configuration, the following configuration XML disables the filter optimization for a single-row function (by default it is enabled):

```
<esper-configuration xmlns="http://www.espertech.com/schema/esper">
```

```
<compiler>
  <plugin-singlerow-function name="computeHash"
    function-class="mycompany.HashUtil" function-method="computeHash"
    filter-optimizable="disabled" />
</compiler>
</esper-configuration>
```

22.2.5. Single-Row Functions Taking Events as Parameters

EPL allows parameters to a single-row function to be events. In this case, declare the method parameter type to either take `EventBean`, `Collection<EventBean>` or the underlying class as a parameter.

Sample method footprints are:

```
public static double doCompute(EventBean eventBean) {...}
public static boolean doCheck(MyEvent myEvent, String text) {...}
public static String doSearch(Collection<EventBean> events) {...}
```

To pass the event, specify the stream alias, or wildcard (`*`) or the tag name when used in a pattern.

The EPL below shows example uses:

```
select * from MyEvent(doCompute(me) = 100) as me
```

```
select * from MyEvent where doCompute(*) = 100
```

```
select * from pattern[a=MyEvent -> MyEvent(doCheck(a, 'sometext'))]
```

```
select * from MyEvent#time(1 min) having doCompute(last(*))]
```

```
select * from MyEvent#time(1 min) having doSearch(window(*))]
```

Declare the method parameter as `Collection<EventBean>` if the method expects an expression result that returns multiple events.

Declare the method parameter as `EventBean` if the method expects an expression result that returns a single event.

22.2.6. Single-Row Functions Returning Events

A single-row function may return events. Please declare your single-row function method to return `Collection<EventBean>` or `EventBean[]` and configure the event type name.

For example, assuming there is an `MyItem` event type such as created via `create schema MyItem(id string)`:

```
public static EventBean[] myItemProducer(String string,
    EPLMethodInvocationContext context) {
    String[] split = string.split(",");
    EventBean[] events = new EventBean[split.length];
    for (int i = 0; i < split.length; i++) {
        events[i] =
            split[i], "MyItem");
    }
    return events;
}
```

The sample EPL queries items filtering those items that have a given value for the `id` field:

```
select myItemProducer(ordertext).where(v => v.id in ('id1', 'id3')) as c0 from
Order
```

If using inlined classes and the `ExtensionSingleRowFunction` annotation, specify the event type name as follows:

```
ExtensionSingleRowFunction(..., eventName="MyItem")
```

If using application classes and the compiler configuration, this sample code register the `myItemProducer` function as a single-row function with an event type name:

```
ConfigurationCompilerPlugInSingleRowFunction entry = new
    ConfigurationCompilerPlugInSingleRowFunction();
entry.setName("myItemProducer");
entry.setFunctionClassName(...);
entry.setFunctionMethodName(...);
entry.setEventTypeName("MyItem");
Configuration configuration = new Configuration();
configuration.getCompiler().addPlugInSingleRowFunction(entry);
```

If your single row function returns `EventBean[]` and is used with enumeration methods the configuration must provide an event type name.

22.2.7. Receiving a Context Object

The runtime can pass an object containing contextual information such as statement name, function name, runtime URI and context partition id to your method. The container for this information is `EPLMethodInvocationContext` in package `com.espertech.esper.common.client.hook.expr`. Please declare your method to take `EPLMethodInvocationContext` as the last parameter. The runtime then passes the information along.

A sample method footprint and EPL are shown below:

```
public static double computeSomething(double number, EPLMethodInvocationContext
context) {...}
```

```
select computeSomething(10) from MyEvent
```

22.2.8. Exception Handling

By default the runtime logs any exceptions thrown by the single row function and returns a null value. To have exceptions be re-thrown instead, which makes exceptions visible to any registered exception handler, please configure as discussed herein.

If using inlined classes and the `ExtensionSingleRowFunction` annotation, you may set `rethrow` as follows:

```
ExtensionSingleRowFunction(..., rethrowExceptions=true)
```

If using application classes and the compiler configuration, set the `rethrow-exceptions` flag in the XML configuration or the `rethrowExceptions` flag in the API when registering the single row function to have the runtime re-throw any exceptions that the single row function may throw.

22.3. Virtual Data Window

Use a virtual data window if you have a (large) external data store that you want to access as a named window. The access is transparent: There is no need to use special syntax or join syntax. All regular queries including subqueries, joins, on-merge, on-select, on-insert, on-delete, on-update and fire-and-forget are supported with virtual data windows.

There is no need to keep any data or events in memory with virtual data windows. The only requirement for virtual data windows is that all data rows returned are `EventBean` instances.

When implementing a virtual data window it is not necessary to send any events into the runtime or to use insert-into. The event content is simply assumed to exist and accessible to the runtime via the API implementation you provide.

The distribution ships with a sample virtual data window in the examples folder under the name `virtualdw`. The code snippets below are extracts from the example.

We use the term *store* here to mean a source set of data that is managed by the virtual data window. We use the term *store row* or just *row* to mean a single data item provided by the store. We use the term *lookup* to mean a read operation against the store returning zero, one or many rows.

Virtual data windows allow high-performance low-latency lookup by exposing all relevant statement access path information. This makes it possible for the virtual data window to choose the desired access method into its store.

The following steps are required to develop and use a virtual data window:

1. Implement `com.espertech.esper.common.client.hook.vdw.VirtualDataWindowForge`. This class is used by the compiler. `the` `interface`
2. Implement `com.espertech.esper.common.client.hook.vdw.VirtualDataWindowFactoryFactory`. This class is referred to, by class name, by the compiler. It is used at runtime. `the` `interface`
3. Implement `com.espertech.esper.common.client.hook.vdw.VirtualDataWindowFactory` (used at runtime only). `the` `interface`
4. Implement `com.espertech.esper.common.client.hook.vdw.VirtualDataWindow` (used at runtime only). `the` `interface`
5. Implement `com.espertech.esper.common.client.hook.vdw.VirtualDataWindowLookup` (used at runtime only). `the` `interface`
6. Register the factory class in the configuration.

Once you have completed above steps, the virtual data window is ready to use in statements.

From a threading perspective, virtual data window implementation classes must be thread-safe if objects are shared between multiple named windows. If no objects are shared between multiple different named windows, thereby each object is only used for the same named window and other named windows receive a separate instance, it is no necessary that the implementation classes are thread-safe.

22.3.1. How to Use

Your application must first register the virtual data window factory as part of configuration:

```
Configuration config = new Configuration();
```

```
config.getCompiler().addPlugInVirtualDataWindow("sample", "samplevdw",
    SampleVirtualDataWindowForge.class.getName());
```

Your application may then create a named window backed by a virtual data window.

For example, assume that the `SampleEvent` event type is declared as follows:

```
create schema SampleEvent as (key1 string, key2 string, value1 int, value2 double)
```

The next statement creates a named window `MySampleWindow` that provides `SampleEvent` events and is backed by a virtual data window:

```
create window MySampleWindow.sample:samplevdw() as SampleEvent
```

You may then access the named window, same as any other named window, for example by subquery, join, on-action, fire-and-forget query or by consuming its insert and remove stream. While this example uses Map-type events, the example code is the same for POJO or other events.

Your application may obtain a reference to the virtual data window from the runtime context.

This code snippet looks up the virtual data window by the named window name:

```
try {
    return (VirtualDataWindow) runtime.getContext().lookup("/virtualdw/
MySampleWindow");
}
catch (NamingException e) {
    throw new RuntimeException("Failed to look up virtual data window, is it
created yet?");
}
```

22.3.1.1. Query Access Path

When your application registers a subquery, join or on-action query or executes a fire-and-forget query against a virtual data window the runtime interacts with the virtual data window. The interaction is a two-step process.

At time of deployment (once), the runtime uses the information the compiler collected by analyzing the EPL where-clause, if present. It then creates a list of hash-index and binary tree (btree, i.e. sorted) index properties. It passes the property names that are queried as well as the operators (i.e. =, >, range etc.) to the virtual data window. The virtual data window returns a lookup strategy object to the runtime.

At time of statement execution (repeatedly as triggered), the runtime uses that lookup strategy object to execute a lookup. It passes to the lookup all actual key values (hash, btree including ranges) to make fast and efficient lookup achievable.

To explain in detail, assume that your application creates a statement with a subquery as follows:

```
select (select * from MySampleWindow where key1 = 'A1') from OtherEvent
```

At the time of compilation of the statement above the compiler analyzes the statement. It determines that the subquery queries a virtual data window. It determines from the where-clause that the lookup uses property `key1` and hash-equals semantics. The runtime then provides this information as part of `VirtualDataWindowLookupContext` passed to the `getLookup` method. Your application may inspect hash and btree properties and may determine the appropriate store access method to use.

The hash and btree property lookup information is for informational purposes, to enable fast and performant queries that return the smallest number of rows possible. Your implementation classes may use some or none of the information provided and may also instead return some or perhaps even all rows, as is practical to your implementation. The where-clause still remains in effect and gets evaluated on all rows that are returned by the lookup strategy.

Following the above example, the sub-query executes once when a `OtherEvent` event arrives. At time of execution the runtime delivers the string value `A1` to the `VirtualDataWindowLookup` lookup implementation provided by your application. The lookup object queries the store and returns store rows as `EventBean` instances.

As a second example, consider an EPL join statement as follows:

```
select * from MySampleWindow, MyTriggerEvent where key1 = trigger1 and key2 = trigger2
```

The compiler analyzes the statement and the runtime passes to the virtual data window the information that the lookup occurs on properties `key1` and `key2` under hash-equals semantics. When a `MyTriggerEvent` arrives, it passes the actual value of the `trigger1` and `trigger2` properties of the current `MyTriggerEvent` to the lookup.

As a last example, consider a fire-and-forget query as follows:

```
select * from MySampleWindow key1 = 'A2' and value1 between 0 and 1000
```

The compiler analyzes the statement and the runtime passes to the virtual data window the lookup information. The lookup occurs on property `key1` under hash-equals semantics and on property

`value1` under `btree-open-range` semantics. When your application executes the fire-and-forget query the runtime passes `A2` and the range endpoints `0` and `1000` to the lookup.

For more information, please consult the JavaDoc API documentation for class `VirtualDataWindow`, `VirtualDataWindowLookupContext` or `VirtualDataWindowLookupFieldDesc`.

22.3.2. Implementing the Forge

For each named window that refers to the virtual data window, the runtime instantiates one instance of the forge at compile-time.

A virtual data window forge class is responsible for the following functions:

- Implement the `initialize` method that accepts a virtual data window forge context object as a parameter.
- Implement the `getFactoryMode` method that information how to initialize the factory-factory class (the class that acts as a factory for virtual data window factories).
- Implement the `getUniqueKeyPropertyNames` method that can return the set of property names that are unique keys, for the purpose of query planning.

The compiler instantiates a `VirtualDataWindowForge` instance for each named window created by `create window`. The compiler invokes the `initialize` method once in respect to the named window being created passing a `VirtualDataWindowForgeContext` context object.

The sample code shown here can be found among the examples in the distribution under `virtualdw`:

```
public class SampleVirtualDataWindowForge implements VirtualDataWindowForge {

    public void initialize(VirtualDataWindowForgeContext initializeContext) {
    }

    public VirtualDataWindowFactoryMode getFactoryMode() {
        // The injection strategy defines how to obtain and configure the
        factory-factory.
        InjectionStrategy injectionStrategy = new
        InjectionStrategyClassNewInstance(SampleVirtualDataWindowFactoryFactory.class);

        // The managed-mode is the default. It uses the provided injection strategy.
        VirtualDataWindowFactoryModeManaged managed = new
        VirtualDataWindowFactoryModeManaged();
        managed.setInjectionStrategyFactoryFactory(injectionStrategy);

        return managed;
    }
}
```

```

public Set<String> getUniqueKeyPropertyNames() {
    // lets assume there is no unique key property names
    return null;
}
}

```

Your forge class must implement the `getFactoryMode` method which instructs the compiler how to obtain a factory class that returns a factory for creating virtual data window instances (a factory-factory). The class acting as the factory-factory will be `SampleVirtualDataWindowFactoryFactory`.

22.3.3. Implementing the Factory-Factory

At deployment time, the runtime instantiates the factory-factory and obtains a factory for virtual data windows.

A virtual data window factory-factory class is responsible for the following functions:

- Implement the `createFactory` method that accepts a factory-factory context and that returns the virtual data window factory.

The sample code shown here can be found among the examples in the distribution under `virtualdw`:

```

public class SampleVirtualDataWindowFactoryFactory implements
VirtualDataWindowFactoryFactory {

    public VirtualDataWindowFactory
createFactory(VirtualDataWindowFactoryFactoryContext ctx) {
    return new SampleVirtualDataWindowFactory();
}
}

```

22.3.4. Implementing the Factory

For each named window that refers to the virtual data window, the runtime instantiates one instance of the factory.

A virtual data window factory class is responsible for the following functions:

- Implement the `initialize` method that accepts a virtual data window factory context object as a parameter.
- Implement the `create` method that accepts a virtual data window context object as a parameter and returns a `VirtualDataWindow` implementation.

- Implement the `destroy` method that gets called once when the named window is undeployed.

The runtime instantiates a `VirtualDataWindowFactory` instance for each named window created via `create window`. The runtime invokes the `initialize` method once in respect to the named window being created passing a `VirtualDataWindowFactoryContext` context object.

If not using contexts, the runtime calls the `create` method once after calling the `initialize` method. If using contexts, the runtime calls the `create` method every time it allocates a context partition. If using contexts and your virtual data window implementation operates thread-safe, you may return the same virtual data window implementation object for each context partition. If using contexts and your implementation object is not thread safe, return a separate thread-safe implementation object for each context partition.

The runtime invokes the `destroy` method once when the named window is undeployed. If not using contexts, the runtime calls the `destroy` method of the virtual data window implementation object before calling the `destroy` method on the factory object. If using contexts, the runtime calls the `destroy` method on each instance associates to a context partition at the time the associated context partition terminates.

The sample code shown here can be found among the examples in the distribution under `virtualdw`:

```
public class SampleVirtualDataWindowFactory implements VirtualDataWindowFactory
{
    public void initialize(VirtualDataWindowFactoryContext factoryContext) {
    }

    public VirtualDataWindow create(VirtualDataWindowContext context) {
        return new SampleVirtualDataWindow(context);
    }

    public void destroy() {
        // cleanup can be performed here
    }

    public Set<String> getUniqueKeyPropertyNames() {
        // lets assume there is no unique key property names
        return null;
    }
}
```

Your factory class must implement the `create` method which receives a `VirtualDataWindowContext` object. This method is called once for each EPL that creates a virtual data window (see example `create window` above).

The `VirtualDataWindowContext` provides to your application:

```
String namedWindowName; // Name of named window being created.
Object[] parameters; // Any optional parameters provided as part of create-
window.
EventType eventType; // The event type of events.
EventBeanFactory eventFactory; // A factory for creating EventBean instances
from store rows.
VirtualDataWindowOutputStream outputStream; // For stream output to consuming
statements.
AgentInstanceContext agentInstanceContext; // Other statement information in
statement context.
```

When using contexts you can decide whether your factory returns a new virtual data window for each context partition or returns the same virtual data window instance for all context partitions. Your extension code may refer to the named window name to identify the named window and may refer to the agent instance context that holds the agent instance id which is the id of the context partition.

22.3.5. Implementing the Virtual Data Window

A virtual data window implementation is responsible for the following functions:

- Accept the lookup context object as a parameter and return the `VirtualDataWindowLookup` implementation.
- Optionally, post insert and remove stream data.
- Implement the `destroy` method, which the runtime calls for each context partition when the named window is stopped or destroyed, or once when a context partition is ended/terminated.

The sample code shown here can be found among the examples in the distribution under `virtualdw`.

The implementation class must implement the `VirtualDataWindow` interface like so:

```
public class SampleVirtualDataWindow implements VirtualDataWindow {

    private final VirtualDataWindowContext context;

    public SampleVirtualDataWindow(VirtualDataWindowContext context) {
        this.context = context;
    } ...
}
```

When the compiler compiles a statement and detects a virtual data window, the compiler compiles access path information and the runtime invokes the `getLookup` method indicating hash and btree access path information by passing a `VirtualDataWindowLookupContext` context. The lookup method must return a `VirtualDataWindowLookup` implementation that the statement uses for all lookups until the statement is stopped or destroyed.

The sample implementation does not use the hash and btree access path information and simply returns a lookup object:

```
public VirtualDataWindowLookup getLookup(VirtualDataWindowLookupContext desc) {  
  
    // Place any code that interrogates the hash-index and btree-index fields here.  
  
    // Return the lookup strategy.  
    return new SampleVirtualDataWindowLookup(context);  
}
```

The runtime calls the `update` method when data changes because of on-merge, on-delete, on-update or insert-into. For example, if you have an on-merge statement that is triggered and that updates the virtual data window, the `newData` parameter receives the new (updated) event and the `oldData` parameter receives the event prior to the update. Your code may use these events to update the store or delete from the store, if needed.

If your application plans to consume data from the virtual data window, for example via `select *` from `MySampleWindow`, then the code must implement the `update` method to forward insert and remove stream events, as shown below, to receive the events in consuming statements. To post insert and remove stream data, use the `VirtualDataWindowOutputStream` provided by the context object as follows.

```
public void update(EventBean[] newData, EventBean[] oldData) {  
    // This sample simply posts into the insert and remove stream what is received.  
    context.getOutputStream().update(newData, oldData);  
}
```

Your application should not use `VirtualDataWindowOutputStream` to post new events that originate from the store. The object is intended for use with on-action statements. Use insert-into instead for any new events that originate from the store.

22.4. Data Window View and Derived-Value View

Views in EPL are used to derive information from an event stream, and to represent data windows onto an event stream. This chapter describes how to plug-in a new, custom view.

The following steps are required to develop and use a custom view.

1. Implement a view forge class. View forges are compile-time classes that accept and check view parameters and refer to the appropriate view factory for the runtime.
2. Implement a view factory class. View factories are classes that instantiate the appropriate view class at runtime.

3. Implement a view class. A view class commonly represents a data window or derives new information from a stream at runtime.
4. Configure the view factory class supplying a view namespace and name in the compiler configuration.

The example view factory and view class that are used in this chapter can be found in the examples source folder in the OHLC (open-high-low-close) example. The class names are `OHLCBarPlugInViewForge`, `OHLCBarPlugInViewFactory` and `OHLCBarPlugInView`.

Views can make use of the runtime services available via `StatementContext`, for example:

- The `SchedulingService` interface allows views to schedule timer callbacks to a view

[Section 22.4.4, “View Contract”](#) outlines the requirements for correct behavior of your custom view within the runtime.

Note that custom views may use runtime services and APIs that can be subject to change between major releases. The runtime services discussed above and view APIs are considered part of the runtime internal API and are only limited stable. Please also consider contributing your custom view to the project by submitting the view code.

22.4.1. Implementing a View Forge

A view forge class is a compile-time class and is responsible for the following functions:

- Accept zero, one or more view parameters. View parameters are themselves expressions. The view forge must validate the expressions.
- Build the view factory class. At deployment-time this code executes and builds the view factory.
- Provide information about the event type of events posted by the view.

View forge classes must implement the `ViewFactoryForge` interface. Additionally a view forge class must implement the `DataWindowViewForge` interface if the view is a data window (retains events provided to it).

```
public class OHLCBarPlugInViewForge implements ViewFactoryForge { ...
```

Your view forge class must implement the `setViewParameters` method to accept view parameters and the `attach` method to attach the view to a stream:

```
public class OHLCBarPlugInViewForge implements ViewFactoryForge {
    private List<ExprNode> viewParameters;
    private ExprNode timestampExpression;
    private ExprNode valueExpression;
```

```

private EventType eventType;

    public void setViewParameters(List<ExprNode> parameters, ViewForgeEnv
viewForgeEnv, int streamNumber) throws ViewParameterException {
    this.viewParameters = parameters;
}

    public void attach(EventType parentEventType, int streamNumber, ViewForgeEnv
env, boolean grouped) throws ViewParameterException {
    if (viewParameters.size() != 2) {
        throw new ViewParameterException("View requires a two parameters: the
expression returning timestamps and the expression supplying OHLC data points");
    }
    ExprNode[] validatedNodes = ViewForgeSupport.validate("OHLC view",
parentEventType, viewParameters, false, env, streamNumber);

    timestampExpression = validatedNodes[0];
    valueExpression = validatedNodes[1];

                                                                    if (!
JavaClassHelper.isTypeLong(timestampExpression.getForge().getEvaluationType()))
{
    throw new ViewParameterException("View requires long-typed timestamp
values in parameter 1");
}
                                                                    if (!
JavaClassHelper.isTypeDouble(valueExpression.getForge().getEvaluationType())) {
    throw new ViewParameterException("View requires double-typed values
for in parameter 2");
}
    ....

```

After the compiler supplied view parameters to the forge, the compiler will ask the view to attach to its parent and validate any parameter expressions against the parent view's event type. If the view will be generating events of a different type than the events generated by the parent view, then the view factory can allocate the new event type.

Finally, the compiler asks the view forge to generate code that initializes the view factory:

```

public CodegenExpression make(CodegenMethodScope parent, SAIFFInitializeSymbol
symbols, CodegenClassScope classScope) {
    return new SAIFFInitializeBuilder(new
EPTTypeClass(OHLCBarPlugInViewFactory.class), this.getClass(), "factory",
parent, symbols, classScope)
        .exprnode("timestampExpression", timestampExpression)
        .exprnode("valueExpression", valueExpression)
        .build();
}

```

```
}

```

Use the internal `SAIFFInitializeBuilder` to build your view factory providing it the expressions and other values it needs.

22.4.2. Implementing a View Factory

A view factory class is responsible for the following functions:

- Implement initialization code when required.
- Instantiate the actual view class.
- Provide information about the event type of events posted by the view.

View factory classes implement the `ViewFactory` interface. Additionally a view factory class must implement the `DataWindowViewFactory` interface if the view is a data window (retains events provided to it).

```
public class OHLCBarPlugInViewFactory implements ViewFactory { ...

```

The runtime initializes a view factory by calling its `init` method.

The runtime asks the view factory to create a view instance, and asks for the type of event generated by the view:

```
public          View          makeView(AgentInstanceViewFactoryChainContext
agentInstanceViewFactoryContext) {
    return new OHLCBarPlugInView(this, agentInstanceViewFactoryContext);
}

public EventType getEventType() {
    return eventType;
}

```

22.4.3. Implementing a View

A view class is responsible for:

- The `update` method receives insert streams and remove stream events from its parent view
- The `iterator` method supplies an (optional) iterator to allow an application to pull or request results from an `EPStatement`

View classes subclass `ViewSupport`. Additionally a view class must implement the `DataWindowView` interface if the view is a data window (retains events provided to it).

```
public class OHLCBarPlugInView extends ViewSupport { ...
```

Your view's `update` method will be processing incoming (insert stream) and outgoing (remove stream) events posted by the parent view (if any), as well as providing incoming and outgoing events to child views. The convention required of your update method implementation is that the view releases any insert stream events (`EventBean` object references) which the view generates as reference-equal remove stream events (`EventBean` object references) at a later time.

The view implementation must call `child.update(...)` to post outgoing insert and remove stream events. Similar to the `update` method, the `child.update` takes insert and remove stream events as parameters.

A sample `update` method implementation is provided in the OHLC example.

22.4.4. View Contract

The `update` method must adhere to the following conventions, to prevent memory leaks and to enable correct behavior within the runtime:

- A view implementation that posts events to the insert stream must post unique `EventBean` object references as insert stream events, and cannot post the same `EventBean` object reference multiple times. The underlying event to the `EventBean` object reference can be the same object reference, however the `EventBean` object reference posted by the view into the insert stream must be a new instance for each insert stream event.
- If the custom view posts a continuous insert stream, then the views must also post a continuous remove stream (second parameter to the `updateChildren` method). If the view does not post remove stream events, it assumes unbound keep-all semantics.
- `EventBean` events posted as remove stream events must be the same object reference as the `EventBean` events posted as insert stream by the view. Thus remove stream events posted by the view (the `EventBean` instances, does not affect the underlying representation) must be reference-equal to insert stream events posted by the view as part of an earlier invocation of the `update` method, or the same invocation of the `update` method.
- `EventBean` events represent a unique observation. The values of the observation can be the same, thus the underlying representation of an `EventBean` event can be reused, however event property values must be kept immutable and not be subject to change.
- Array elements of the insert and remove stream events must not carry null values. Array size must match the number of `EventBean` instances posted. It is recommended to use a null value for no insert or remove stream events rather than an empty zero-size array.

Your view implementation must implement the `AgentInstanceStopCallback` interface to receive a callback when the view gets destroyed.

Please refer to the sample views for a code sample on how to implement the `iterator` method.

In terms of multiple threads accessing view state, there is no need for your custom view factory or view implementation to perform any synchronization to protect internal state. The iterator of the custom view implementation does also not need to be thread-safe. The runtime ensures the custom view executes in the context of a single thread at a time. If your view uses shared external state, such external state must be still considered for synchronization when using multiple threads.

22.4.5. Configuring View Namespace and Name

The view factory class name as well as the view namespace and name for the new view must be added to the compiler configuration. The configuration shown below is XML however the same options are available through configuration:

```
<esper-configuration xmlns="http://www.espertech.com/schema/esper">
  <compiler>
    <plugin-view namespace="custom" name="ohlcv"
      forge-class="com.espertech.esper.example.ohlcv.OHLCVPlugInViewFactory" /
    >
  </compiler>
</esper-configuration>
```

The new view is now ready to use in a statement:

```
select * from StockTick.custom:ohlcv(timestamp, price)
```

Note that the view must implement additional interfaces if it acts as a data window view, or works in a grouping context, as discussed in detail below.

22.4.6. Requirement for Data Window Views

Your custom view may represent an expiry policy and may retain events and thus act as a data window view. In order to allow the compiler to validate that your view can be used with named windows, which allow only data window views, this section documents any additional requirement that your classes must fulfill.

Your view forge class must implement the `DataWindowViewForge` interface. This marker interface (no methods required) indicates that your views are data window views.

Your view factory class must implement the `DataWindowViewFactory` interface. This marker interface (no methods required) indicates that your views are data window views.

Your view class must implement the `DataWindowView` interface. This interface indicates that your view is a data window view and therefore eligible to be used in any construct that requires a data window view. The `DataWindowView` interface extends the `ViewDataVisitable` interface. Please provide an empty implementation method for the `visitView` method as required by `ViewDataVisitable` (the default behavior is sufficient).

22.4.7. Requirement for Derived-Value Views

Your custom view may compute derived information from the arriving stream, instead of retaining events, and thus act as a derived-value view.

Your view class should implement the `DerivedValueView` interface. This marker interface indicates that your view is a derived-value view, affecting correct behavior of the view when used in joins.

22.5. Aggregation Function

Aggregation functions are stateful functions that aggregate events, event property values or expression results. Examples for built-in aggregation functions are `count(*)`, `sum(price * volume)`, `window(*)` or `maxby(volume)`.

EPL allows two different ways for your application to provide aggregation functions. We use the name *aggregation single-function* and *aggregation multi-function* for the two independent extension APIs for aggregation functions.

The aggregation single-function API is simple to use however it imposes certain restrictions on how expressions that contain aggregation functions share state and how they are evaluated.

The aggregation multi-function API is more powerful and provides control over how expressions that contain aggregation functions share state and are evaluated.

The next table compares the two aggregation function extension API's:

Table 22.1. Aggregation Function Extension API's

	Single-Function	Multi-Function
Return Value	Can only return a single value or object. Cannot return an <code>EventBean</code> event, collection of <code>EventBean</code> events or collection or array of values for use with enumeration methods, for example.	Can return an <code>EventBean</code> event, a collection of <code>EventBean</code> events or a collection or array of objects for use with enumeration methods or to access event properties.
Complexity of API	Simple (consists of 2 interfaces).	More complex (consists of 6 interfaces).
State Sharing	State and parameter evaluation shared if multiple aggregation functions of the same name in the same statement (and context partition) take the exact same parameter expressions.	State and parameter evaluation sharable when multiple aggregation functions of a related name (related thru configuration) for the same statement (and context partition) exist, according

	Single-Function	Multi-Function
		to a sharing-key provided by your API implementation.
Function Name	Each aggregation function expression receives its own factory object.	Multiple related aggregation function expressions share a single factory object.
Distinct Keyword	Handled by the runtime transparently depending on mode.	Indicated to the API implementation only.

The following sections discuss developing an aggregation single-function first, followed by the subject of developing an aggregation multi-function.



Note

The aggregation multi-function API is a powerful and lower-level API to extend the runtime. Any classes that are not part of the `client` package should be considered unstable and are subject to change between minor and major releases.

22.5.1. Aggregation Single-Function Development

This section describes the *aggregation single-function* extension API for providing aggregation functions.

The EPL compiler provides two ways to provide aggregation single-functions:

1. An inlined class that is part of the same EPL module or another EPL module, see next under [Section 22.5.1.4, “Using an Inlined Class to Provide an Aggregation Single-Function”](#).
2. An external class that your application provides as part of the application, see below under [Section 22.5.1.5, “Using an Application Class to Provide the Aggregation Single-Function”](#).

In either case, the following steps are required to develop and use a custom aggregation single-function.

1. Implement an aggregation function forge by implementing the interface `com.espertech.esper.common.client.hook.aggfunc.AggregationFunctionForge`. This class provides compile-time information.
2. Implement an aggregation function factory by implementing the interface `com.espertech.esper.common.client.hook.aggfunc.AggregationFunctionFactory` (used at runtime).
3. Implement an aggregation function by implementing the interface `com.espertech.esper.common.client.hook.aggfunc.AggregationFunction` (used at runtime).

Custom aggregation functions can also be passed multiple parameters, as further described in [Section 22.5.1.6, “Aggregation Single-Function: Accepting Multiple Parameters”](#). In the example below the aggregation function accepts a single parameter.

The code for the example aggregation function as shown in this chapter can be found in the runtime configuration example in the package `com.espertech.esper.example.runtimeconfig` by the name `MyConcatAggregationFunction`. The sample function simply concatenates string-type values.

22.5.1.1. Implementing an Aggregation Single-Function Forge

An aggregation function forge class is only used at compile-time and is responsible for the following functions:

- Implement a `setFunctionName` method that receives the function name (optional, the default implementation is empty).
- Implement a `validate` method that validates the value type of the data points that the function must process.
- Implement a `getValueType` method that returns the type of the aggregation value generated by the aggregation function instances. For example, the built-in `count` aggregation function returns `Long.class` as it generates `long`-typed values.
- Implement a `getAggregationFunctionMode` which provided information about the factory class to the compiler.

Aggregation forge classes implement the interface `AggregationFunctionForge`:

```
public class MyConcatAggregationFunctionForge implements
    AggregationFunctionForge { ...
```

The compiler constructs one instance of the aggregation function forge class for each time the function is listed in a statement, however the compiler may decide to reduce the number of aggregation forge instances if it finds equivalent aggregations.

The aggregation function forge instance receives the aggregation function name via `setFunctionName` method.

The sample concatenation function forge provides an empty `setFunctionName` method:

```
public void setFunctionName(String functionName) {
    // no action taken
}
```

An aggregation function forge must provide an implementation of the `validate` method that is passed a `AggregationFunctionValidationContext` validation context object. Within the validation context you find the result type of each of the parameters expressions to the aggregation

function as well as information about constant values and data window use. Please see the JavaDoc API documentation for a comprehensive list of validation context information.

Since the example concatenation function requires string types it implements a type check:

```
public void validate(AggregationValidationContext validationContext) {
    if (validationContext.getParameterTypes().length != 1 || !
        JavaClassHelper.isTypeString(validationContext.getParameterTypes()[0])) {
        throw new IllegalArgumentException("Concat aggregation requires a single
        parameter of type String");
    }
}
```

In order for the compiler to validate the type returned by the aggregation function against the types expected by enclosing expressions, the `getValueType` must return the result type of any values produced by the aggregation function:

```
public ETypeClass getValueType() {
    return ETypePremade.STRING.getEType();
}
```

Finally the forge implementation must provide a `getAggregationFunctionMode` method that returns information about the factory. The compiler uses this information to build the aggregation function factory.

```
public AggregationFunctionMode getAggregationFunctionMode() {
    // Inject a factory by using "new"
    InjectionStrategy injectionStrategy = new
    InjectionStrategyClassNewInstance(MyConcatAggregationFunctionFactory.class);

    // The managed mode means there is no need to write code that generates code
    AggregationFunctionModeManaged mode = new AggregationFunctionModeManaged();
    mode.setInjectionStrategyAggregationFunctionFactory(injectionStrategy);

    return mode;
}
```

22.5.1.2. Implementing an Aggregation Single-Function Factory

An aggregation function factory class is responsible for the following functions:

- Implement a `newAggregator` method that instantiates and returns an aggregation function instance.

Aggregation function factory classes implement the interface `AggregationFunctionFactory`:

```
public class MyConcatAggregationFunctionFactory implements
    AggregationFunctionFactory { ...
```

The runtime constructs the aggregation function factory at time of deployment.

The factory must provide a `newAggregator` method that returns instances of `AggregationFunction`. The runtime invokes this method for each new aggregation state to be allocated.

```
public AggregationFunction newAggregator() {
    return new MyConcatAggregationFunction();
}
```

22.5.1.3. Implementing an Aggregation Single-Function

An aggregation function class is responsible for the following functions:

- Implement an `enter` method that the runtime invokes to add a data point into the aggregation, when an event enters a data window
- Implement a `leave` method that the runtime invokes to remove a data point from the aggregation, when an event leaves a data window
- Implement a `getValue` method that returns the current value of the aggregation.
- Implement a `clear` method that resets the current value.

Aggregation function classes implement the interface `AggregationFunction`:

```
public class MyConcatAggregationFunction implements AggregationFunction { ...
```

The class that provides the aggregation and implements `AggregationFunction` does not have to be threadsafe.

The constructor initializes the aggregation function:

```
public class MyConcatAggregationFunction implements AggregationFunction {
    private final static char DELIMITER = ' ';
    private StringBuilder builder;
    private String delimiter;

    public MyConcatAggregationFunction() {
        builder = new StringBuilder();
        delimiter = " ";
    }
}
```

```
}  
...
```

The `enter` method adds a datapoint to the current aggregation value. The example `enter` method shown below adds a delimiter and the string value to a string buffer:

```
public void enter(Object value) {  
    if (value != null) {  
        builder.append(delimiter);  
        builder.append(value.toString());  
        delimiter = String.valueOf(DELIMITER);  
    }  
}
```

Conversly, the `leave` method removes a datapoint from the current aggregation value. The example `leave` method removes from the string buffer:

```
public void leave(Object value) {  
    if (value != null) {  
        builder.delete(0, value.toString().length() + 1);  
    }  
}
```

Finally, the runtime obtains the current aggregation value by means of the `getValue` method:

```
public Object getValue() {  
    return builder.toString();  
}
```

For on-demand queries the aggregation function must support resetting its value to empty or start values. Implement the `clear` function to reset the value as shown below:

```
public void clear() {  
    builder = new StringBuilder();  
    delimiter = "";  
}
```

22.5.1.4. Using an Inlined Class to Provide an Aggregation Single-Function

You may use an inline class that is part of the EPL modules to provide an aggregation function. For more information on inline classes see [Chapter 18, Inlined Classes](#). Using an inline class does not require any compiler configuration.

Specify the `ExtensionAggregationFunction` annotation on the class level of the `AggregationFunctionForge` implementation class and the `name` (the EPL aggregation function name). This annotation instructs the compiler that the inlined class exposes an aggregation function.

This sample EPL includes an inlined class by name `ConcatAggForge` that provides a `concat` aggregation function that concatenates:

```

inlined_class ""
import com.espertech.esper.common.client.hook.aggfunc.*;
import com.espertech.esper.common.client.hook.forgeinject.*;
import com.espertech.esper.common.client.serde.*;
import java.io.*;
import com.espertech.esper.common.internal.epl.expression.core.*;
@ExtensionAggregationFunction(name="concat")
public class ConcatAggForge implements AggregationFunctionForge {
    public void validate(AggregationFunctionValidationContext validationContext)
    throws ExprValidationException {
        EType paramType = validationContext.getParameterTypes()[0];
        if (paramType == ETypeNull.INSTANCE || ((ETypeClass) paramType).getType() !
= String.class) {
            throw new ExprValidationException("Invalid parameter type '" + paramType
+ "'");
        }
    }

    public ETypeClass getValueType() {
        return new ETypeClass(String.class);
    }

    public AggregationFunctionMode getAggregationFunctionMode() {
        AggregationFunctionModeManaged mode = new AggregationFunctionModeManaged();
        mode.setHashA(true);
        mode.setSerde(ConcatAggSerde.class);
        mode.setInjectionStrategyAggregationFunctionFactory(new
InjectionStrategyClassNewInstance(ConcatAggFactory.class.getName()));
        return mode;
    }

    public static class ConcatAggFactory implements AggregationFunctionFactory {

```

```
    public AggregationFunction newAggregator(AggregationFunctionFactoryContext
ctx) {
        return new ConcatAggFunction();
    }
}

public static class ConcatAggFunction implements AggregationFunction {
    private final static String DELIMITER = ",";
    private StringBuilder builder;
    private String delimiter;

    public ConcatAggFunction() {
        super();
        builder = new StringBuilder();
        delimiter = "";
    }

    public void enter(Object value) {
        if (value != null) {
            builder.append(delimiter);
            builder.append(value.toString());
            delimiter = DELIMITER;
        }
    }

    public void leave(Object value) {
        if (value != null) {
            builder.delete(0, value.toString().length() + 1);
        }
    }

    public String getValue() {
        return builder.toString();
    }

    public void clear() {
        builder = new StringBuilder();
        delimiter = "";
    }
}

// the serializer-deserializer is only for high availability and is not required
otherwise
public static class ConcatAggSerde {
    public static void write(DataOutput output, AggregationFunction value) throws
IOException {
        ConcatAggFunction agg = (ConcatAggFunction) value;
        output.writeUTF(agg.getValue());
    }
}
```

```
public static AggregationFunction read(DataInput input) throws IOException {
    ConcatAggFunction concatAggFunction = new ConcatAggFunction();
    String current = input.readUTF();
    if (!current.isEmpty()) {
        concatAggFunction.enter(current);
    }
    return concatAggFunction;
}
}
}
}
"""
select concat(personName) from PersonEvent
```

Only one `ExtensionAggregationFunction` annotation can be specified per class and the annotation is only for use with inlined classes. Using an inline class does not require any compiler configuration.

When using `create inlined_class` the runtime resolves dependencies on EPL objects at time of deployment (the same as for all EPL objects).

22.5.1.5. Using an Application Class to Provide the Aggregation Single-Function

The aggregation function class name as well as the function name for the new aggregation function must be added to the compiler configuration. The configuration shown below is XML however the same options are available through the configuration API. Configuring the function is not necessary when using inlined classes as discussed before.

```
<esper-configuration xmlns="http://www.espertech.com/schema/esper">
  <compiler>
    <plugin-aggregation-function name="concat"
                                forge-
                                class="com.espertech.esper.example.runtimeconfig.MyConcatAggregationFunctionFactory"
    >
  </compiler>
</esper-configuration>
```

The new aggregation function is now ready to use in a statement:

```
select concat(symbol) from StockTick#length(3)
```

22.5.1.6. Aggregation Single-Function: Accepting Multiple Parameters

Your plug-in aggregation function may accept multiple parameters. You must provide a different mode however:

```
public AggregationFunctionMode getAggregationFunctionMode() {
    InjectionStrategy injectionStrategy = new
InjectionStrategyClassNewInstance(SupportCountBackAggregationFunctionFactory.class);

    AggregationFunctionModeMultiParam multiParam = new
AggregationFunctionModeMultiParam();

    multiParam.setInjectionStrategyAggregationFunctionFactory(injectionStrategy);

    return multiParam;
}
```

For instance, assume an aggregation function `rangeCount` that counts all values that fall into a range of values. The EPL that calls this function and provides a lower and upper bounds of 1 and 10 is:

```
select rangeCount(1, 10, myValue) from MyEvent
```

The `enter` method of the plug-in aggregation function may look as follows:

```
public void enter(Object value) {
    Object[] params = (Object[]) value;
    int lower = (Integer) params[0];
    int upper = (Integer) params[1];
    int val = (Integer) params[2];
    if ((val >= lower) && (val <= upper)) {
        count++;
    }
}
```

Your plug-in aggregation function may want to validate parameter types or may want to know which parameters are constant-value expressions. Constant-value expressions are evaluated only once by the runtime and could therefore be cached by your aggregation function for performance reasons. The runtime provides constant-value information as part of the `AggregationValidationContext` passed to the `validate` method.

22.5.1.7. Aggregation Single-Function: The Filter Parameter

When using `AggregationFunctionModeManaged` the runtime already takes care of filters.

When using `AggregationFunctionModeMultiParam`, the compiler takes the `filter` named parameter filter expression as a `boolean`-type value and the runtime provides the value to your `enter` method as the last value in the parameter array.

For instance, assume an aggregation function `concat` that receives a `word` value and that has a `filter` expression as parameters:

```
select concat(word, filter: word not like '%jim%') from MyWordEvent
```

The `enter` method of the plug-in aggregation function may look as follows:

```
public void enter(Object value) {
    Object[] arr = (Object[]) value;
    Boolean pass = (Boolean) arr[1];
    if (pass != null && pass) {
        buffer.append(arr[0].toString());
    }
}
```

Your code can obtain the actual filter expression from the `AggregationValidationContext` that is passed to the `validate` method and that returns the named parameters via `getNamedParameters`.

22.5.1.8. Aggregation Single-Function: Distinct

When using `AggregationFunctionModeManaged` the runtime already takes care of `distinct`.

When using `AggregationFunctionModeMultiParam` your application code must determine and process `distinct`.

22.5.1.9. Aggregation Single-Function: Dot-Operator Use

When the custom aggregation function returns an object as a return value, the EPL can use parenthesis and the dot-operator to invoke methods on the return value.

The following example assumes that the `myAggregation` custom aggregation function returns an object that has `getValueOne` and `getValueTwo` methods:

```
select
    (myAggregation(myValue)).getValueOne(),
    (myAggregation(myValue)).getValueTwo() from MyEvent
```


Since the above EPL aggregates the same value, the runtime internally uses a single aggregation to represent the current value of `myAggregation` (and not two instances of the aggregation, even though `myAggregation` is listed twice).

22.5.2. Aggregation Multi-Function Development

This section introduces the aggregation multi-function API. Aggregation multi-functions can offer multiple functions, methods, modifiers or views onto sharable aggregation state. Please refer to the JavaDoc for more complete class and method-level documentation.

The EPL compiler provides two ways to provide aggregation multi-functions:

1. An inlined class that is part of the same EPL module or another EPL module, see next under [Section 22.5.2.8, “Using an Inlined Class to Provide an Aggregation Multi-Function”](#).

An external class that your application provides as part of the application, see below under [Section 22.5.2.7, “Using an Application Class to Provide the Aggregation Multi-Function”](#).

In either case, the following steps are required to develop and use a custom aggregation multi-function.

1. Implement an aggregation multi-function forge by implementing the interface `com.espertech.esper.common.client.hook.aggmultifunc.AggregationMultiFunctionForge`.
2. Implement one or more handlers for aggregation functions by implementing the interface `com.espertech.esper.common.client.hook.aggmultifunc.AggregationMultiFunctionHandler`.
3. Implement an aggregation state key by implementing the interface `com.espertech.esper.common.client.hook.aggmultifunc.AggregationMultiFunctionStateKey`.
4. Implement an aggregation state factory by implementing the interface `com.espertech.esper.common.client.hook.aggmultifunc.AggregationMultiFunctionStateFactory`.
5. Implement an aggregation state holder by implementing the interface `com.espertech.esper.common.client.hook.aggmultifunc.AggregationMultiFunctionState`.
6. Implement a state accessor factory by implementing the interface `com.espertech.esper.common.client.hook.aggmultifunc.AggregationMultiFunctionAccessorFactory`.
7. Implement a state accessor by implementing the interface `com.espertech.esper.common.client.hook.aggmultifunc.AggregationMultiFunctionAccessor`.
8. For use with tables, implement an agent factory by implementing the interface `com.espertech.esper.common.client.hook.aggmultifunc.AggregationMultiFunctionAgentFactory`.
9. For use with tables, implement an agent by implementing the interface `com.espertech.esper.common.client.hook.aggmultifunc.AggregationMultiFunctionAgent`.
10. For use with aggregation methods, implement an aggregation method factory by implementing the interface `com.espertech.esper.common.client.hook.aggmultifunc.AggregationMultiFunctionAggregationMethodFactory`.
11. For use with aggregation methods, implement an aggregation method by implementing the interface `com.espertech.esper.common.client.hook.aggmultifunc.AggregationMultiFunctionAggregationMethod`.

12. When using an inlined class, use the `ExtensionAggregationMultiFunction` annotation and by providing the function names. When providing external application classes, register the aggregation multi-function forge class with the compiler by supplying one or more function names, via the compiler configuration file or the runtime and static configuration API.

There are two examples for aggregation multi-function. The first example uses inlined classes and can be found at [Section 22.5.2.8, “Using an Inlined Class to Provide an Aggregation Multi-Function”](#). The second example for aggregation multi-function is called Cycle-Detect and is used for the step-by-step below.

Cycle-Detect takes incoming transaction events that have from-account and to-account fields. The example detects a cycle in the transactions between accounts in order to detect a possible transaction fraud. Please note that the graph and cycle detection logic of the example is not part of the distribution: The example utilizes the `jgrapht` library.

In the Cycle-Detect example, the vertices of a graph are the account numbers. For example the account numbers `Acct-1`, `Acct-2` and `Acct-3`. In the graph the edges are transaction events that identify a from-account and a to-account. An example edge is `{from:Acct-1, to:Acct-2}`. An example cycle is therefore in the three transactions `{from:Acct-1, to:Acct-2}`, `{from:Acct-2, to:Acct-3}` and `{from:Acct-3, to:Acct-1}`.

The code for the example aggregation multi-function as shown in this chapter can be found in the Cycle-Detect example in the package `com.espertech.esper.example.cycledetect`. The example provides two aggregation functions named `cycledetected` and `cycleoutput`:

1. The `cycledetected` function returns a boolean value whether a graph cycle is found or not.
2. The `cycleoutput` function outputs the vertices (account numbers) that are part of the graph cycle.

In the Cycle-Detect example, the following statement utilizes the two functions `cycledetected` and `cycleoutput` that share the same graph state to detect a cycle among the last 1000 events:

```
@Name('CycleDetector') select cycleoutput() as cyclevertices
from TransactionEvent#length(1000)
having cycledetected(fromAcct, toAcct)
```

If instead the goal is to run graph cycle detection every 1 second (and not upon arrival of a new event), this sample statement uses a pattern to trigger cycle detection:

```
@Name('CycleDetector')
select (select cycleoutput(fromAcct, toAcct) from TransactionEvent#length(1000))
as cyclevertices
from pattern [every timer:interval(1)]
```

22.5.2.1. Implementing an Aggregation Multi-Function Forge

An aggregation multi-function forge class is a compile-time class responsible for the following functions:

- Implement the `addAggregationFunction` method that receives an invocation for each aggregation function declared in the statement that matches any of the function names provided at configuration time.
- Implement the `validateGetHandler` method that receives an invocation for each aggregation function to be validated in the statement that matches any of the function names provided at configuration time.

Aggregation multi-function factory classes implement the interface `AggregationMultiFunctionForge`:

```
public class CycleDetectorAggregationForge implements
    AggregationMultiFunctionForge { ...
```

The compiler constructs a single instance of the aggregation multi-function forge class that is shared for all aggregation function expressions in a statement that have one of the function names provided in the configuration object.

The compiler invokes the `addAggregationFunction` method at the time it compiles a statement. The method receives a declaration-time context object that provides the function name as well as additional information.

The sample Cycle-Detect factory class provides an empty `addAggregationFunction` method:

```
public void addAggregationFunction(AggregationMultiFunctionDeclarationContext
    declarationContext) {
    // provides an opportunity to inspect where used
}
```

The compiler invokes the `validateGetHandler` method at the time of expression validation. It passes a `AggregationMultiFunctionValidationContext` validation context object that contains actual parameters expressions. Please see the JavaDoc API documentation for a comprehensive list of validation context information.

The `validateGetHandler` method must return a handler object that implements the `AggregationMultiFunctionHandler` interface. Return a handler object for each aggregation function expression according to the aggregation function name and its parameters that are provided in the validation context.

The example `cycledetect` function takes two parameters that provide the cycle edge (from-account and to-account):

```
public                               AggregationMultiFunctionHandler

validationContext) {
    if (validationContext.getParameterExpressions().length == 2) {
        fromExpression = validationContext.getParameterExpressions()[0];
        toExpression = validationContext.getParameterExpressions()[1];
    }
    return new CycleDetectorAggregationHandler(this, validationContext);
}
```

22.5.2.2. Implementing an Aggregation Multi-Function Handler

An aggregation multi-function handler class is a compile-time class that must implement the `AggregationMultiFunctionHandler` interface and is responsible for the following functions:

- Implement the `getReturnType` method that returns information about the type of return values provided.
- Implement the `getAggregationStateUniqueKey` method that provides a key object used by the compiler to determine which aggregation functions share state.
- Implement the `getStateMode` method that returns information to the compiler that the compiler uses to initialize the state factory at deployment time.
- Implement the `getAccessorMode` method that returns information to the compiler that the compiler uses to initialize the accessor factory at deployment time.
- Implement the `getAgentMode` method that returns information to the compiler that the compiler uses to initialize the agent factory at deployment time, for use with tables.
- Implement the `getTableReaderMode` method that returns information to the compiler that the compiler uses to initialize the table reader factory at deployment time, for use with tables.

In the Cycle-Detect example, the class `CycleDetectorAggregationHandler` is the handler for all aggregation functions.

```
public      class      CycleDetectorAggregationHandler      implements
    AggregationMultiFunctionHandler { ...
```

The `getReturnType` method provided by the handler instructs the compiler about the return type of each aggregation accessor. The class `EPChainableType` holds return type information.

In the Cycle-Detect example the `cycledetected` function returns a single boolean value. The `cycleoutput` returns a collection of vertices:

```
public EPChainableType getReturnType() {
                                                                    if
{
```

```

        return EPChainableTypeHelper.collectionOfSingleValue((EPTypEClass)
forge.getFromExpression().getForge().getEvaluationType());
    }
    return EPChainableTypeHelper.singleValue(Boolean.class);
}

```

The compiler invokes the `getAggregationStateUniqueKey` method to determine whether multiple aggregation function expressions in the same statement can share the same aggregation state or should receive different aggregation state instances.

The `getAggregationStateUniqueKey` method must return an instance of `AggregationMultiFunctionStateKey`. The compiler uses equals-semantics (the `hashCode` and `equals` methods) to determine whether multiple aggregation function share the state object. If the key object returned for each aggregation function by the handler is an equal key object then the compiler shares aggregation state between such aggregation functions for the same statement and context partition.

In the Cycle-Detect example the state is shared, which it achieves by simply returning the same key instance:

```

private static final AggregationMultiFunctionStateKey CYCLE_KEY = new
    AggregationMultiFunctionStateKey() {};

public AggregationMultiFunctionStateKey getAggregationStateUniqueKey() {
    return CYCLE_KEY;
}

```

The compiler invokes the `getStateMode` method to obtain an instance of `AggregationMultiFunctionStateMode`. The state mode is responsible to obtaining and configuring an aggregation state factory instance at time of deployment.

In the Cycle-Detect example the method passes the expression evaluators providing the from-account and to-account expressions to the state factory:

```

public AggregationMultiFunctionStateMode getStateMode() {
    AggregationMultiFunctionStateModeManaged managed = new
    AggregationMultiFunctionStateModeManaged();
    InjectionStrategyClassNewInstance injection = new
    InjectionStrategyClassNewInstance(CycleDetectorAggregationStateFactory.class);
    injection.addExpression("from", forge.getFromExpression());
    injection.addExpression("to", forge.getToExpression());
    managed.setInjectionStrategyAggregationStateFactory(injection);
    return managed;
}

```

The compiler invokes the `getAccessorMode` method to obtain an instance of `AggregationMultiFunctionAccessorMode`. The accessor mode is responsible to obtaining and configuring an accessor factory instance at time of deployment.

The `getAccessorMode` method provides information about the accessor factories according to whether the aggregation function name is `cycledetected` or `cycleoutput`:

```
public AggregationMultiFunctionAccessorMode getAccessorMode() {
    Class accessor;
    if
    {
        accessor = CycleDetectorAggregationAccessorOutputFactory.class;
    }
    else {
        accessor = CycleDetectorAggregationAccessorDetectFactory.class;
    }
    AggregationMultiFunctionAccessorModeManaged managed = new
    AggregationMultiFunctionAccessorModeManaged();
    InjectionStrategyClassNewInstance injection = new
    InjectionStrategyClassNewInstance(accessor);
    managed.setInjectionStrategyAggregationAccessorFactory(injection);
    return managed;
}
```

22.5.2.3. Implementing an Aggregation Multi-Function State Factory

An aggregation multi-function state factory class must implement the `AggregationMultiFunctionStateFactory` interface and is responsible for the following functions:

- Implement the `newState` method that returns an aggregation state holder.

The runtime invokes the `newState` method to obtain a new aggregation state instance before applying aggregation state. If using `group by` in your statement, the runtime invokes the `newState` method to obtain a state holder for each group.

In the Cycle-Detect example, the class `CycleDetectorAggregationStateFactory` is the state factory for all aggregation functions:

```
public class CycleDetectorAggregationStateFactory implements
    AggregationMultiFunctionStateFactory {

    private ExprEvaluator from;
    private ExprEvaluator to;
```

```

        public AggregationMultiFunctionState
newState(AggregationMultiFunctionStateFactoryContext ctx) {
    return new CycleDetectorAggregationState(this);
}

public void setFrom(ExprEvaluator from) {
    this.from = from;
}

public void setTo(ExprEvaluator to) {
    this.to = to;
}

public ExprEvaluator getFrom() {
    return from;
}

public ExprEvaluator getTo() {
    return to;
}
}

```

22.5.2.4. Implementing an Aggregation Multi-Function State

An aggregation multi-function state class must implement the `AggregationMultiFunctionState` interface and is responsible for the following functions:

- Implement the `applyEnter` method that enters events, event properties or computed values.
- Implement the `applyLeave` method that can remove events or computed values.
- Implement the `clear` method to clear state.

In the Cycle-Detect example, the class `CycleDetectorAggregationState` is the state for all aggregation functions. Please review the example for more information.

22.5.2.5. Implementing an Aggregation Multi-Function Accessor Factory

An aggregation multi-function accessor factory class must implement the `AggregationMultiFunctionAccessorFactory` interface and is responsible for the following functions:

- Implement the `newAccessor` method that returns a new accessor.

In the Cycle-Detect example, the class `CycleDetectorAggregationAccessorDetectFactory` returns the accessor like so:

```
public class CycleDetectorAggregationAccessorDetectFactory implements
    AggregationMultiFunctionAccessorFactory {
    public AggregationMultiFunctionAccessor
    newAccessor(AggregationMultiFunctionAccessorFactoryContext ctx) {
        return new CycleDetectorAggregationAccessorDetect();
    }
}
```

22.5.2.6. Implementing an Aggregation Multi-Function Accessor

An aggregation multi-function accessor class must implement the `AggregationMultiFunctionAccessor` interface and is responsible for the following functions:

- Implement the `Object getValue(AggregationMultiFunctionState state, ...)` method that returns a result object for the aggregation state.
- Implement the `Collection<EventBean> getEnumerableEvents(AggregationMultiFunctionState state, ...)` method that returns a collection of events for enumeration, if applicable (or null).
- Implement the `EventBean getEnumerableEvent(AggregationMultiFunctionState state, ...)` method that returns an event, if applicable (or null).
- Implement the `Collection getEnumerableScalar(AggregationMultiFunctionState state, ...)` method that returns an event, if applicable (or null).

In the Cycle-Detect example, the class `CycleDetectorAggregationAccessorDetect` returns state for the `cycledetected` aggregation function and the `CycleDetectorAggregationAccessorOutput` returns the state for the `cycleoutput` aggregation function.

22.5.2.7. Using an Application Class to Provide the Aggregation Multi-Function

An aggregation multi-function configuration can receive one or multiple function names. You must also set a factory class name.

The sample XML snippet below configures an aggregation multi-function that is associated with the function names `func1` and `func2`.

```
<esper-configuration xmlns="http://www.espertech.com/schema/esper">
  <compiler>
    <plugin-aggregation-multifunction
      function-names="cycledetected,cycleoutput "
      forge-
class="com.espertech.esper.example.cycledetect.CycleDetectorAggregationFactory"/
    >
  </compiler>
```



```
</esper-configuration>
```

The next example uses the configuration API to register the same:

```
String[] functionNames = new String[] {"cycledetected", "cycleoutput"};
ConfigurationPlugInAggregationMultiFunction config = new
    CycleDetectorAggregationFactory.class.getName());
Configuration configuration = new Configuration();
configuration.getCompiler().addPlugInAggregationMultiFunction(config);
```

22.5.2.8. Using an Inlined Class to Provide an Aggregation Multi-Function

You may use an inline class that is part of the EPL modules to provide an aggregation multi-function. For more information on inline classes see [Chapter 18, Inlined Classes](#). Using an inline class does not require any compiler configuration.

Specify the `ExtensionAggregationMultiFunction` annotation on the class level of the `AggregationMultiFunctionForge` implementation class and the function names (names of states and aggregation methods). This annotation instructs the compiler that the inlined class exposes an aggregation multi-function.

This sample EPL includes an inlined class by name `TrieAggForge` that uses a Trie data structures to store person names. A trie is a tree-like data structure whose nodes store the letters of an alphabet. Here, the Trie stores person names. The implementation uses the Trie provided by the Apache Commons Collections library.

The following sample EPL uses the Trie to store persons by person name and return a prefix-map, which is a sorted map of all persons that have the same prefix:

```
// The PersonEvent provides a person name and person id
@public @buseventtype create schema PersonEvent(name string, id string);

// This provides the aggregation multi-function
create inlined_class ""
import com.espertech.esper.common.client.*;
import com.espertech.esper.common.client.type.*;
import com.espertech.esper.common.client.hook.aggmultifunc.*;
import com.espertech.esper.common.client.hook.forgeinject.*;
import com.espertech.esper.common.internal.epl.expression.core.*;
import com.espertech.esper.common.internal.rettype.*;
import com.espertech.esper.common.internal.epl.agg.core.*;
import org.apache.commons.collections4.Trie;
import org.apache.commons.collections4.trie.PatriciaTrie;
```

```
import java.util.*;
import java.util.function.*;

// We have 3 function names:
// - "trieState" for use with create-table to hold the Trie
// - "trieEnter" for entering person events into the Trie by person name, for
// use with into-table aggregation
// - "triePrefixMap" for returning a prefix map of all persons with the same
// prefix as provided by its parameter
@ExtensionAggregationMultiFunction(names="trieState,trieEnter,triePrefixMap")
/**
 * The trie aggregation forge is the entry point for providing the multi-function
 * aggregation.
 */
public class TrieAggForge implements AggregationMultiFunctionForge {
    public AggregationMultiFunctionHandler

validationContext) {
    String name = validationContext.getFunctionName();
    if (name.equals("trieState")) {
        return new TrieAggHandlerTrieState();
    } else if (name.equals("trieEnter")) {
        return new
TrieAggHandlerTrieEnter(validationContext.getParameterExpressions());
    } else if (name.equals("triePrefixMap")) {
        return new TrieAggHandlerTriePrefixMap();
    }
    throw new IllegalStateException("Unrecognized name '" + name + "' for use
with trie");
}

/**
 * This handler handles the "trieState"-type table column, for use with create-
table.
 */
    public static class TrieAggHandlerTrieState implements
AggregationMultiFunctionHandler {
        public EPChainableType getReturnType() {
            return EPChainableTypeHelper.singleValue(Trie.class);
        }

        public AggregationMultiFunctionStateKey getAggregationStateUniqueKey() {
            return new AggregationMultiFunctionStateKey() {};
        }

        public AggregationMultiFunctionStateMode getStateMode() {
            InjectionStrategyClassNewInstance injection = new
InjectionStrategyClassNewInstance(TrieAggStateFactory.class);
            return new AggregationMultiFunctionStateModeManaged(injection);
        }
    }
}
```

```

    }

    public AggregationMultiFunctionAccessorMode getAccessorMode() {
        // accessor that returns the trie itself
        InjectionStrategyClassNewInstance injection = new
InjectionStrategyClassNewInstance(TrieAggAccessorFactory.class);
        return new AggregationMultiFunctionAccessorModeManaged(injection);
    }

    public AggregationMultiFunctionAgentMode getAgentMode() {
        throw new UnsupportedOperationException("Trie aggregation access is only
by the 'triePrefixMap' method");
    }

        public AggregationMultiFunctionAggregationMethodMode
getAggregationMethodMode(AggregationMultiFunctionAggregationMethodContext ctx)
{
        throw new UnsupportedOperationException("Trie aggregation access is only
by the 'triePrefixMap' method");
    }
}

/**
 * This handler handles the "trieEnter"-operation that updates trie state,
for use with into-table aggregation
 */
    public static class TrieAggHandlerTrieEnter implements
AggregationMultiFunctionHandler {
        private final ExprNode[] parameters;

        public TrieAggHandlerTrieEnter(ExprNode[] parameters) {
            this.parameters = parameters;
        }

        public EPChainableType getReturnType() {
            return EPChainableTypeHelper.singleValue(Trie.class); // we return the
Trie itself
        }

        public AggregationMultiFunctionStateKey getAggregationStateUniqueKey() {
            throw new UnsupportedOperationException("Not a trie state");
        }

        public AggregationMultiFunctionStateMode getStateMode() {
            throw new UnsupportedOperationException("Not a trie state");
        }

        public AggregationMultiFunctionAccessorMode getAccessorMode() {
            // accessor that returns the trie itself

```

```

        InjectionStrategyClassNewInstance injection = new
InjectionStrategyClassNewInstance(TrieAggAccessorFactory.class);
        return new AggregationMultiFunctionAccessorModeManaged(injection);
    }

    public AggregationMultiFunctionAgentMode getAgentMode() {
        if (parameters.length != 1 || ((EPTTypeClass)
parameters[0].getForge().getEvaluationType()).getType() != String.class) {
            throw new IllegalArgumentException("Requires a single parameter returning
a string value");
        }

        InjectionStrategyClassNewInstance injection = new
InjectionStrategyClassNewInstance(TrieAggAgentFactory.class);
        injection.addExpression("keyExpression", parameters[0]);
        return new AggregationMultiFunctionAgentModeManaged(injection);
    }

    public AggregationMultiFunctionAggregationMethodMode
getAggregationMethodMode(AggregationMultiFunctionAggregationMethodContext ctx)
    {
        throw new UnsupportedOperationException("Trie aggregation access is only
by the 'triePrefixMap' method");
    }
}

/**
 * This handler handles the "triePrefixMap" accessor for returning a prefix
map of same-prefix person events
 */
    public static class TrieAggHandlerTriePrefixMap implements
AggregationMultiFunctionHandler {
        public EPChainableType getReturnType() {
            return EPChainableTypeHelper.singleValue(Map.class);
        }

        public AggregationMultiFunctionStateKey getAggregationStateUniqueKey() {
            throw new UnsupportedOperationException("Not implemented for 'triePrefixMap'
trie method");
        }

        public AggregationMultiFunctionStateMode getStateMode() {
            throw new UnsupportedOperationException("Not implemented for 'triePrefixMap'
trie method");
        }

        public AggregationMultiFunctionAccessorMode getAccessorMode() {
            throw new UnsupportedOperationException("Not implemented for 'triePrefixMap'
trie method");
        }
    }

```

```

    public AggregationMultiFunctionAgentMode getAgentMode() {
        throw new UnsupportedOperationException("Not implemented for 'triePrefixMap'
        trie method");
    }

    public AggregationMultiFunctionAggregationMethodMode
    getAggregationMethodMode(AggregationMultiFunctionAggregationMethodContext ctx)
    {
        if (ctx.getParameters().length != 1 || ((EPTypesClass) ctx.getParameters()
        [0]).getForge().getEvaluationType().getType() != String.class) {
            throw new IllegalArgumentException("Requires a single parameter returning
            a string value");
        }

        InjectionStrategyClassNewInstance injection = new
        InjectionStrategyClassNewInstance(TrieAggMethodFactoryPrefixMap.class);
        injection.addExpression("keyExpression", ctx.getParameters()[0]);
        return new AggregationMultiFunctionAggregationMethodModeManaged(injection);
    }
}

/**
 * The agent state factory is responsible for producing a state holder that
 * holds the trie state
 */
public static class TrieAggStateFactory implements
AggregationMultiFunctionStateFactory {
    public AggregationMultiFunctionState
    newState(AggregationMultiFunctionStateFactoryContext ctx) {
        return new TrieAggState();
    }
}

/**
 * The agent state is the state holder that holds the trie state
 */
public static class TrieAggState implements AggregationMultiFunctionState {
    private final Trie<String, List<Object>> trie = new PatriciaTrie<>();

    public void applyEnter(EventBean[] eventsPerStream, ExprEvaluatorContext
    exprEvaluatorContext) {
        throw new UnsupportedOperationException("Not used since the agent updates
        the table");
    }

    public void applyLeave(EventBean[] eventsPerStream, ExprEvaluatorContext
    exprEvaluatorContext) {
        throw new UnsupportedOperationException("Not used since the agent updates
        the table");
    }
}

```

```
    }

    public void clear() {
        trie.clear();
    }

    public void add(String key, Object underlying) {
        List<Object> existing = (List<Object>) trie.get(key);
        if (existing != null) {
            existing.add(underlying);
            return;
        }
        List<Object> events = new ArrayList<>(2);
        events.add(underlying);
        trie.put(key, events);
    }

    public void remove(String key, Object underlying) {
        List<Object> existing = (List<Object>) trie.get(key);
        if (existing != null) {
            existing.remove(underlying);
            if (existing.isEmpty()) {
                trie.remove(key);
            }
        }
    }
}

/**
 * The accessor factory is responsible for producing an accessor that returns
 * the result of the trie table column when accessed without an aggregation method
 */
    public static class TrieAggAccessorFactory implements
AggregationMultiFunctionAccessorFactory {
        public AggregationMultiFunctionAccessor
newAccessor(AggregationMultiFunctionAccessorFactoryContext ctx) {
            return new TrieAggAccessor();
        }
    }

/**
 * The accessor returns the result of the trie table column when accessed
 * without an aggregation method
 */
    public static class TrieAggAccessor implements AggregationMultiFunctionAccessor
    {
        // This is the value return when just referring to the trie table column by
        // itself without a method name such as "prefixMap".
    }
}
```

```

    public Object getValue(AggregationMultiFunctionState state, EventBean[]
eventsPerStream, boolean isNewData, ExprEvaluatorContext exprEvaluatorContext)
{
    TrieAggState trie = (TrieAggState) state;
    return trie.trie;
}
}

/**
 * The agent factory is responsible for producing an agent that handles all
changes to the trie table column.
 */
    public static class TrieAggAgentFactory implements
AggregationMultiFunctionAgentFactory {
    private ExprEvaluator keyExpression;

    public void setKeyExpression(ExprEvaluator keyExpression) {
        this.keyExpression = keyExpression;
    }

    public AggregationMultiFunctionAgent
newAgent(AggregationMultiFunctionAgentFactoryContext ctx) {
        return new TrieAggAgent(this);
    }
}

/**
 * The agent is responsible for all changes to the trie table column.
 */
    public static class TrieAggAgent implements AggregationMultiFunctionAgent {
    private final TrieAggAgentFactory factory;

    public TrieAggAgent(TrieAggAgentFactory factory) {
        this.factory = factory;
    }

    public void applyEnter(EventBean[] eventsPerStream, ExprEvaluatorContext
exprEvaluatorContext, AggregationRow row, int column) {
        String key = (String) factory.keyExpression.evaluate(eventsPerStream, true,
exprEvaluatorContext);
        TrieAggState trie = (TrieAggState) row.getAccessState(column);
        trie.add(key, eventsPerStream[0].getUnderlying());
    }

    public void applyLeave(EventBean[] eventsPerStream, ExprEvaluatorContext
exprEvaluatorContext, AggregationRow row, int column) {
        String key = (String) factory.keyExpression.evaluate(eventsPerStream,
false, exprEvaluatorContext);
        TrieAggState trie = (TrieAggState) row.getAccessState(column);

```

```
        trie.remove(key, eventsPerStream[0].getUnderlying());
    }
}

/**
 * The aggregation method factory is responsible for producing an aggregation
 * method for the "trie" return result of the trie table column.
 */
public static class TrieAggMethodFactoryTrieColumn implements
AggregationMultiFunctionAggregationMethodFactory {
    public AggregationMultiFunctionAggregationMethod
newMethod(AggregationMultiFunctionAggregationMethodFactoryContext context) {
    return new AggregationMultiFunctionAggregationMethod() {
        public Object getValue(int aggColNum, AggregationRow row, EventBean[]
eventsPerStream, boolean isNewData, ExprEvaluatorContext exprEvaluatorContext)
{
            TrieAggState trie = (TrieAggState) row.getAccessState(aggColNum);
            return trie.trie;
        }
    };
}

/**
 * The aggregation method factory is responsible for producing an aggregation
 * method for the "triePrefixMap" expression of the trie table column.
 */
public static class TrieAggMethodFactoryPrefixMap implements
AggregationMultiFunctionAggregationMethodFactory {
    private ExprEvaluator keyExpression;

    public void setKeyExpression(ExprEvaluator keyExpression) {
        this.keyExpression = keyExpression;
    }

    public AggregationMultiFunctionAggregationMethod
newMethod(AggregationMultiFunctionAggregationMethodFactoryContext context) {
    return new TrieAggMethodPrefixMap(this);
}

/**
 * The aggregation method is responsible for the "triePrefixMap" expression
 * result of the trie table column.
 */
public static class TrieAggMethodPrefixMap implements
AggregationMultiFunctionAggregationMethod {
    private final TrieAggMethodFactoryPrefixMap factory;
```



```
public TrieAggMethodPrefixMap(TrieAggMethodFactoryPrefixMap factory) {
    this.factory = factory;
}

public Object getValue(int aggColNum, AggregationRow row, EventBean[]
eventsPerStream, boolean isNewData, ExprEvaluatorContext exprEvaluatorContext)
{
    String key = (String) factory.keyExpression.evaluate(eventsPerStream,
false, exprEvaluatorContext);
    TrieAggState trie = (TrieAggState) row.getAccessState(aggColNum);
    return trie.trie.prefixMap(key);
}
}
}
}
}
}
}
}
}

// We use a table to store the Trie. The Trie is effectively a Trie<String,
List<PersonEvent>> holding a list of person events in branch and leaf nodes.
@name('table') create table TableWithTrie(nameTrie trieState(string));

// We aggregate directly into the table using the person name as the Trie key
and the event as value
@Priority(1) into table TableWithTrie select trieEnter(name) as nameTrie from
PersonEvent;

// For each person output the prefix map, a sorted map (SortedMap<String,
List<PersonEvent>>) with the same prefixes as the person name
@Priority(0) @name('s0') select TableWithTrie.nameTrie.triePrefixMap(name) from
PersonEvent;
```

Only one `ExtensionAggregationMultiFunction` annotation can be specified per class and the annotation is only for use with inlined classes. Using an inline class does not require any compiler configuration.

When using `create_inlined_class` the runtime resolves dependencies on EPL objects at time of deployment (the same as for all EPL objects).

22.5.2.9. Aggregation Multi-Function Thread Safety

The runtime shares an `AggregationAccessor` instance between threads. The accessor should be designed stateless and should not use any locking of any kind in the `AggregationAccessor` implementation unless your implementation uses other state. Since the runtime passes an aggregation state instance to the accessor it is thread-safe as long as it relies only on the aggregation state passed to it.

The runtime does not share an `AggregationState` instance between threads. There is no need to use locking of any kind in the `AggregationState` implementation unless your implementation uses other state.

22.5.2.10. Aggregation Multi-Function Use With Tables

Tables allow columns to hold aggregation state including the state for multi-function aggregations. This section provides API pointers.

When a statement accesses a table column that declares aggregation state of a multi-function aggregation, the `AggregationMultiFunctionValidationContext` contains an `optionalTableColumnRead` field that provides information about the table column.

To find out the statement type, such as to determine whether the current statement is a `create-table` statement, use `context.getValidationContext().getExprEvaluatorContext().getStatementType()`.

To find out whether the statement aggregates into a table, use `context.getValidationContext().getIntoTableName()` that returns the table name or null if not aggregating into a table.

The compiler uses `AggregationMultiFunctionStateKey` to determine whether an aggregation function listed with `into table` is compatible with the aggregation type that a table column declares. The `equals` method of the object must return true for compatible and false for incompatible.

Your handler may provide a agent and aggregation method modes. Please follow the JavaDoc or inspect the regression test suite.

22.5.2.11. Aggregation Multi-Function Use Filter Expression

The filter expression is passed to you in `PlugInAggregationMultiFunctionValidationContext` as part of `getNamedParameters` under the name `filter`. When use with tables the filter expression is part of `PlugInAggregationMultiFunctionAgentContext`.

Your application must invoke the filter expression as the runtime does not evaluate the filter expression for you. For example:

```
ExprEvaluator          filterEval          =
validationContext.getNamedParameters().get("filter").get(0).getExprEvaluator();
```

```
public void applyEnter(EventBean[] eventsPerStream, ExprEvaluatorContext
exprEvaluatorContext) {
    Boolean pass = (Boolean) filterEval.evaluate(eventsPerStream, true,
exprEvaluatorContext); // note: pass "false" for applyLeave
    if (pass != null && pass) {
        Object value = valueEval.evaluate(eventsPerStream, true,
exprEvaluatorContext); // note: pass "false" for applyLeave
        // do something
    }
}
```

```
}
}
```

22.6. Pattern Guard

Pattern guards are pattern objects that control the lifecycle of the guarded sub-expression, and can filter the events fired by the subexpression.

The following steps are required to develop and use a custom guard object.

1. Implement a guard forge class, responsible for compile-time guard information.
2. Implement a guard factory class, responsible for creating guard object instances at runtime.
3. Implement a guard class (used at runtime).
4. Register the guard forge class with the compiler by supplying a namespace and name, via the compiler configuration.

The code for the example guard object as shown in this chapter can be found in the test source folder in the package `com.espertech.esper.regressionlib.support.extend.pattern` by the name `MyCountToPatternGuardForge`. The sample guard discussed here counts the number of events occurring up to a maximum number of events, and end the sub-expression when that maximum is reached.

Some of the APIs that you use to implement a pattern guard are internal APIs and are not stable and may change between releases. The `client` package contains all the stable interface classes.

22.6.1. Implementing a Guard Forge

A guard forge class is only used by the compiler and is responsible for the following functions:

- Implement a `setGuardParameters` method that takes guard parameters, which are themselves expressions.
- Implement a `collectSchedule` method that collects guard schedule objects if any.
- Implement a `makeCodegen` method that provides the code to construct a guard factory at time of deployment.

Guard forge classes implement the `GuardForge`:

```
public class MyCountToPatternGuardForge implements GuardForge { ...
```

The compiler constructs one instance of the guard forge class for each time the guard is listed in a statement.

The guard forge class implements the `setGuardParameters` method that is passed the parameters to the guard as supplied by the statement. It verifies the guard parameters, similar to the code snippet shown next. Our example counter guard takes a single numeric parameter:

```

public void setGuardParameters(List<ExprNode> guardParameters,
    MatchedEventConvertorForge convertor, StatementCompileTimeServices services)
    throws GuardParameterException {
    String message = "Count-to guard takes a single integer-value expression
as parameter";
    if (guardParameters.size() != 1) {
        throw new GuardParameterException(message);
    }

    Class paramType = guardParameters.get(0).getForge().getEvaluationType();
    if (paramType != Integer.class && paramType != int.class) {
        throw new GuardParameterException(message);
    }

    this.numCountToExpr = guardParameters.get(0);
    this.convertor = convertor;
}

```

The `makeCodegen` method is called by the compiler to receive the code that builds a guard factory. Use the `SAIFFInitializeBuilder` to build factory initialization code:

```

public CodegenExpression makeCodegen(CodegenMethodScope parent,
    SAIFFInitializeSymbol symbols, CodegenClassScope classScope) {
    SAIFFInitializeBuilder builder = new
    SAIFFInitializeBuilder(MyCountToPatternGuardFactory.class, this.getClass(),
"guardFactory", parent, symbols, classScope);
    return builder.exprnode("numCountToExpr", numCountToExpr)
        .expression("convertor",
convertor.makeAnonymous(builder.getMethod(), classScope))
        .build();
}

```

22.6.2. Implementing a Guard Factory

A guard factory class is responsible for the following functions:

- Implement a `makeGuard` method that constructs a new guard instance.

Guard factory classes implements the `GuardFactory`:

```

public class MyCountToPatternGuardFactory implements GuardFactory { ...

```

The runtime obtains an instance of the guard factory class at time of deployment.

The `makeGuard` method is called by the runtime to create a new guard instance. The example `makeGuard` method shown below passes the maximum count of events to the guard instance. It also passes a `QuitTable` implementation to the guard instance. The guard uses `QuitTable` to indicate that the sub-expression contained within must stop (quit) listening for events.

```
public Guard makeGuard(PatternAgentInstanceContext context, MatchedEventMap
beginState, QuitTable quitable, Object guardState) {
    EventBean[] events = convertor == null ? null : convertor.convert(beginState);
    Object parameter = PatternExpressionUtil.evaluateChecked("Count-to guard",
numCountToExpr, events, context.getAgentInstanceContext());
    if (parameter == null) {
        throw new EPEException("Count-to guard parameter evaluated to a null
value");
    }

    Integer numCountTo = (Integer) parameter;
    return new MyCountToPatternGuard(numCountTo, quitable);
}
```

22.6.3. Implementing a Guard Class

A guard class has the following responsibilities:

- Provides a `startGuard` method that initializes the guard.
- Provides a `stopGuard` method that stops the guard, called by the runtime when the whole pattern is stopped, or the sub-expression containing the guard is stopped.
- Provides an `inspect` method that the pattern runtime invokes to determine if the guard lets matching events pass for further evaluation by the containing expression.

Guard classes implement the `GuardSupport` interface as shown here:

```
public class MyCountToPatternGuard implements Guard {
```

The compiler invokes the guard factory class to construct an instance of the guard class for each new sub-expression instance within a statement.

A guard class must provide an implementation of the `startGuard` method that the runtime invokes to start a guard instance. In our example, the method resets the guard's counter to zero:

```
public void startGuard() {
    counter = 0;
}
```

The runtime invokes the `inspect` method for each time the sub-expression indicates a new event result. Our example guard needs to count the number of events matched, and quit if the maximum number is reached:

```
public boolean inspect(MatchedEventMap matchEvent) {
    counter++;
    if (counter > numCountTo) {
        quitable.guardQuit();
        return false;
    }
    return true;
}
```

The `inspect` method returns true for events that pass the guard, and false for events that should not pass the guard.

22.6.4. Configuring Guard Namespace and Name

The guard factory class name as well as the namespace and name for the new guard must be added to the compiler configuration. The configuration shown below is XML however the same options are available through the configuration API:

```
<esper-configuration xmlns="http://www.espertech.com/schema/esper">
  <compiler>
    <plugin-pattern-guard namespace="myplugin" name="count_to"
                          forge-
class="com.espertech.esper.regressionlib.support.extend.pattern.MyCountToPatternGuardForge"/
    >
  </compiler>
</esper-configuration>
```

The new guard is now ready to use in a statement. The next pattern statement detects the first 10 MyEvent events:

```
select * from pattern [(every MyEvent) where myplugin:count_to(10)]
```

Note that the `every` keyword was placed within parentheses to ensure the guard controls the repeated matching of events.

22.7. Pattern Observer

Pattern observers are pattern objects that are executed as part of a pattern expression and can observe events or test conditions. Examples for built-in observers are `timer:at` and `timer:interval`. Some suggested uses of observer objects are:

- Implement custom scheduling logic using the runtime's own scheduling and timer services
- Test conditions related to prior events matching an expression

The following steps are required to develop and use a custom observer object within pattern statements:

1. Implement an observer forge class, which is used by the compiler only and is responsible for validating parameters and for initializing an observer factory.
2. Implement an observer factory class, responsible for creating observer object instances.
3. Implement an observer class.
4. Register an observer factory class with the compiler by supplying a namespace and name, via the compiler configuration file or the configuration API.

The code for the example observer object as shown in this chapter can be found in the test source folder in package `com.espertech.esper.regression.client` by the name `MyFileExistsObserver`. The sample observer discussed here very simply checks if a file exists, using the filename supplied by the pattern statement, and via the `java.io.File` class.

Some of the APIs that you use to implement a pattern observer are internal APIs and are not stable and may change between releases. The `client` package contains all the stable interface classes.

22.7.1. Implementing an Observer Forge

An observer forge class is responsible for the following functions:

- Implement a `setObserverParameters` method that takes observer parameters, which are themselves expressions.
- Implement a `collectSchedule` method that collects observer schedule objects if any.
- Implement a `makeCodegen` method that provides the code to construct an observer factory at time of deployment.

Observer forge classes implement the `ObserverForge` interface:

```
public class MyFileExistsObserverForge implements ObserverForge { ...
```

The compiler constructs one instance of the observer forge class for each time the observer is listed in a statement.

The observer forge class implements the `setObserverParameters` method that is passed the parameters to the observer as supplied by the statement. It verifies the observer parameters,

similar to the code snippet shown next. Our example file-exists observer takes a single string parameter:

```
public void setObserverParameters(List<ExprNode> observerParameters,
    MatchedEventConvertorForge convertor, ExprValidationContext validationContext)
    throws ObserverParameterException {
    String message = "File exists observer takes a single string filename
parameter";
    if (observerParameters.size() != 1) {
        throw new ObserverParameterException(message);
    }
    if (!(observerParameters.get(0).getForge().getEvaluationType() ==
String.class)) {
        throw new ObserverParameterException(message);
    }

    this.filenameExpression = observerParameters.get(0);
    this.convertor = convertor;
}
```

The compiler calls the `makeCodegen` method to provide code that initializes the observer factory at time of deployment. It uses the `SAIFFInitializeBuilder` to build the code.

```
public CodegenExpression makeCodegen(CodegenMethodScope parent,
    SAIFFInitializeSymbol symbols, CodegenClassScope classScope) {
    SAIFFInitializeBuilder builder = new
    SAIFFInitializeBuilder(MyFileExistsObserverFactory.class, this.getClass(),
"observerFactory", parent, symbols, classScope);
    return builder.exprnode("filenameExpression", filenameExpression)
        .expression("convertor", convertor.makeAnonymous(builder.getMethod(),
classScope))
        .build();
}
```

22.7.2. Implementing an Observer Factory

An observer factory class is responsible for the following functions:

- Implement a `makeObserver` method that returns a new observer instance.

Observer factory classes implement the `ObserverFactory`:

```
public class MyFileExistsObserverFactory implements ObserverFactory { ...
```


The runtime obtains an instance of the observer factory class at time of deployment.

The runtime calls the `makeObserver` method to create a new observer instance. The example `makeObserver` method shown below passes parameters to the observer instance:

```
public EventObserver makeObserver(PatternAgentInstanceContext context,
    MatchedEventMap beginState, ObserverEventEvaluator observerEventEvaluator,
    Object observerState, boolean isFilterChildNonQuitting) {
    EventBean[] events = convertor == null ? null : convertor.convert(beginState);
    Object filename = PatternExpressionUtil.evaluateChecked("File-exists observer
", filenameExpression, events, context.getAgentInstanceContext());
    if (filename == null) {
        throw new EPEException("Filename evaluated to null");
    }
    return new MyFileExistsObserver(beginState, observerEventEvaluator,
    filename.toString());
}
```

The `ObserverEventEvaluator` parameter allows an observer to indicate events, and to indicate change of truth value to permanently false. Use this interface to indicate when your observer has received or witnessed an event, or changed its truth value to true or permanently false.

The `MatchedEventMap` parameter provides a `Map` of all matching events for the expression prior to the observer's start. For example, consider a pattern as below:

```
a=MyEvent -> myplugin:my_observer(...)
```

The above pattern tagged the `MyEvent` instance with the tag "a". The runtime starts an instance of `my_observer` when it receives the first `MyEvent`. The observer can query the `MatchedEventMap` using "a" as a key and obtain the tagged event.

22.7.3. Implementing an Observer Class

An observer class has the following responsibilities:

- Provides a `startObserve` method that starts the observer.
- Provides a `stopObserve` method that stops the observer, called by the runtime when the whole pattern is stopped, or the sub-expression containing the observer is stopped.

Observer classes subclass `com.espertech.esper.pattern.observer.ObserverSupport` as shown here:

```
public class MyFileExistsObserver implements EventObserver { ...
```

The runtime invokes the observer factory class to construct an instance of the observer class for each new sub-expression instance within a statement.

An observer class must provide an implementation of the `startObserve` method that the runtime invokes to start an observer instance. In our example, the observer checks for the presence of a file and indicates the truth value to the remainder of the expression:

```
public void startObserve() {
    File file = new File(filename);
    if (file.exists()) {
        observerEventEvaluator.observerEvaluateTrue(beginState);
    }
    else {
        observerEventEvaluator.observerEvaluateFalse();
    }
}
```

Note the observer passes the `ObserverEventEvaluator` an instance of `MatchedEventMap`. The observer can also create one or more new events and pass these events through the Map to the remaining expressions in the pattern.

22.7.4. Configuring Observer Namespace and Name

The observer factory class name as well as the namespace and name for the new observer must be added to the compiler configuration via the configuration API or using the XML configuration file. The configuration shown below is XML however the same options are available through the configuration API:

```
<esper-configuration xmlns="http://www.espertech.com/schema/esper">
  <compiler>
    <plugin-pattern-observer namespace="myplugin" name="file_exists"
                                forge-
class="com.espertech.esper.regressionlib.support.extend.pattern.MyFileExistsObserverForge"
    >
  </compiler>
</esper-configuration>
```

The new observer is now ready to use in a statement. The next pattern statement checks every 10 seconds if the given file exists, and indicates to the listener when the file is found.

```
select * from pattern [every timer:interval(10 sec) ->
myplugin:file_exists("myfile.txt")]
```

22.8. Date-Time Method

Your application can provide additional date-time methods by implementing the extension API as shown below. The steps are as follows:

1. Implement the `DateTimeMethodForgeFactory` interface (package `com.espertech.esper.common.client.hook.datetimemethod`) that the compiler invokes for validation and to receive information on the public static methods that your application exposes that provide the date-time method logic.
2. Implement a static method (or multiple static methods) that receives the respective date-time value and additional parameters, if any, and that may return a new value, following the rules outlined below.
3. Add the class name of the `DateTimeMethodForgeFactory` implementation to the compiler configuration.
4. Use the new date-time method(s).

The EPL compiler distinguishes between two types of date-time methods:

- A *modifying* date-time method modifies the date-time value, while the type of the result is the same as the type of the date-time value (i.e. input and result is a `Calendar` or `LocalDateTime` or other value).
- A *reformatting* date-time method transforms the date-time value into a result that has a different return type.

The example herein builds a value-changing date-time method by name `roll` that rolls a field forward or backward and that receives the name of the field and an up/down flag as parameters.

The second example herein builds a reformatting date-time method by name `asArrayOfString` that returns an array of strings containing the day, month and year values of the date-time value.

22.8.1. Implement the `DateTimeMethodForgeFactory` Interface

The implementation of the `DateTimeMethodForgeFactory` interface is responsible for:

1. The `initialize` method returns the available footprints.
2. The `validate` method may validate actual provided parameters and always returns either a `DateTimeMethodOpsModify` (for modify) or a `DateTimeMethodOpsReformat` (for reformat).

The EPL compiler calls the `initialize` method to obtain the allowed footprints. It compares the footprints to the number and type of parameters actually provided.

For example, if there is a single footprint with no parameters, use this:

```
DotMethodFP[] footprints = new DotMethodFP[] {
    new DotMethodFP(DotMethodFPInputEnum.SCALAR_ANY)
```

```
};  
return new DateTimeMethodDescriptor(footprints);
```

For example, if there is a single footprint with a single string-type parameter, use this:

```
DotMethodFP[] footprints = new DotMethodFP[] {  
    new DotMethodFP(DotMethodFPInputEnum.SCALAR_ANY,  
        new DotMethodFPParam("provide a descriptive name of parameter",  
            EPLEExpressionParamType.SPECIFIC, String.class)  
        )  
};
```

In the case that the date-time method modifies the date-time value, make the `validate` method returns an instance of `DateTimeMethodModifyOps`.

In the case that the date-time method reformats the date-time value, make the `validate` method returns an instance of `DateTimeMethodReformatOps`.

Use the `DateTimeMethodModeStaticMethod` class to provide the class and the name of the public static method providing the respective operation.

It is not required to provide a static method for each of the different types of date-time values. You may leave an operation at a null-value to indicate it is not provided for that date-time value type.

The following class handles the new `roll` date-time method, which has single footprint that has a string-type and a boolean-type parameter:

```
public class MyLocalDTMForgeFactoryRoll implements DateTimeMethodForgeFactory {  
    private final static DotMethodFP[] FOOTPRINTS = new DotMethodFP[] {  
        new DotMethodFP(DotMethodFPInputEnum.SCALAR_ANY,  
            new DotMethodFPParam("an string-type calendar field name",  
                EPLEExpressionParamType.SPECIFIC, String.class),  
            new DotMethodFPParam("a boolean-type up/down indicator",  
                EPLEExpressionParamType.SPECIFIC, boolean.class))  
    };  
  
    public DateTimeMethodDescriptor initialize(DateTimeMethodInitializeContext  
context) {  
        return new DateTimeMethodDescriptor(FOOTPRINTS);  
    }  
  
    public DateTimeMethodOps validate(DateTimeMethodValidateContext context) {  
        // this is an opportunity to do additional validation or evaluation when  
desired  
        // however the footprint is already validated  
        DateTimeMethodOpsModify roll = new DateTimeMethodOpsModify();  
    }  
}
```

```

// see below for MyLocalDTMRollUtility
roll.setCalendarOp(new
DateTimeMethodModeStaticMethod(MyLocalDTMRollUtility.class, "roll"));
roll.setLdtOp(new
DateTimeMethodModeStaticMethod(MyLocalDTMRollUtility.class, "roll"));
roll.setZdtOp(new
DateTimeMethodModeStaticMethod(MyLocalDTMRollUtility.class, "roll"));
return roll;
}
}

```

The following class handles the new `asArrayOfString` date-time method, which has single footprint that has a no parameters:

```

public class MyLocalDTMForgeFactoryArrayOfString implements
DateTimeMethodForgeFactory {
private final static DotMethodFP[] FOOTPRINTS = new DotMethodFP[]{
new DotMethodFP(DotMethodFPInputEnum.SCALAR_ANY)
};

public DateTimeMethodDescriptor initialize(DateTimeMethodInitializeContext
context) {
return new DateTimeMethodDescriptor(FOOTPRINTS);
}

public DateTimeMethodOps validate(DateTimeMethodValidateContext context) {
DateTimeMethodOpsReformat asArrayOfString = new DateTimeMethodOpsReformat();
asArrayOfString.setReturnType(String[].class);

// see below for MyLocalDTMArrayOfStringUtility
asArrayOfString.setLongOp(new
"asArrayOfString"));
asArrayOfString.setDateOp(new
"asArrayOfString"));
asArrayOfString.setCalendarOp(new
"asArrayOfString"));
asArrayOfString.setLdtOp(new
"asArrayOfString"));
asArrayOfString.setZdtOp(new
"asArrayOfString"));
return asArrayOfString;
}
}

```

```
}  
}
```

22.8.2. Implement the Static Methods

For value-changing date-time methods that operate on `long`, `Date` and `Calendar`, the static method must return `void`, its first parameter must be `Calendar` and the remaining parameters much match the expression parameters, such as:

```
public static void roll(Calendar calendar, String fieldName, boolean  
    flagValue) {
```

For value-changing date-time methods that operate on `LocalDateTime`, the static method must return `LocalDateTime`, its first parameter must be `LocalDateTime` and the remaining parameters much match the expression parameters, such as:

```
public static LocalDateTime roll(LocalDateTime ldt, String fieldName,  
    boolean flagValue) {
```

For value-changing date-time methods that operate on `ZonedDateTime`, the static method must return `ZonedDateTime`, its first parameter must be `ZonedDateTime` and the remaining parameters much match the expression parameters, such as:

```
public static ZonedDateTime roll(ZonedDateTime zdt, String fieldName,  
    boolean flagValue) {
```

For reformatting date-time methods, the static method must return the same type as provided by the `getReturnType` method of `DateTimeMethodReformatMode`, its first parameter must be any of the below and the remaining parameters much match the expression parameters (see example below).

- `long`
- `Date` (from `java.util`)
- `Calendar`
- `LocalDateTime`
- `ZonedDateTime`

The class providing the static methods for the `roll` date-time method is shown next.

```
public class MyLocalDTMRollUtility {  
    public static void roll(Calendar calendar, String fieldName, boolean flagValue)  
    {  
        switch (fieldName) {
```

```

        case "date": calendar.roll(Calendar.DATE, flagValue); break;
        default: throw new EPEException("Invalid field name '" + fieldName + "'");
    }
}

public static LocalDateTime roll(LocalDateTime ldt, String fieldName, boolean
flagValue) {
    switch (fieldName) {
        case "date": return ldt.plusDays(1);
        default: throw new EPEException("Invalid field name '" + fieldName + "'");
    }
}

public static ZonedDateTime roll(ZonedDateTime zdt, String fieldName, boolean
flagValue) {
    switch (fieldName) {
        case "date": return zdt.plusDays(1);
        default: throw new EPEException("Invalid field name '" + fieldName + "'");
    }
}
}
}

```

The class providing the static methods for the `asArrayOfString` date-time method is shown next.

```

public class MyLocalDTMArrayOfStringUtility {
    public static String[] asArrayOfString(long date) {
        Calendar calendar = Calendar.getInstance();
        calendar.setTimeInMillis(date);
        return asArrayOfString(calendar);
    }

    public static String[] asArrayOfString(Date date) {
        Calendar calendar = Calendar.getInstance();
        calendar.setTime(date);
        return asArrayOfString(calendar);
    }

    public static String[] asArrayOfString(Calendar calendar) {
        return new String[] {Integer.toString(calendar.get(Calendar.DAY_OF_MONTH)),
            Integer.toString(calendar.get(Calendar.MONTH) + 1),
            Integer.toString(calendar.get(Calendar.YEAR))};
    }

    public static String[] asArrayOfString(LocalDateTime ldt) {
        return new String[] {Integer.toString(ldt.getDayOfMonth()),
            Integer.toString(ldt.getMonthValue()),
            Integer.toString(ldt.getYear())};
    }
}

```

```
}  
  
public static String[] asArrayOfString(ZonedDateTime zdt) {  
    return new String[] {Integer.toString(zdt.getDayOfMonth()),  
        Integer.toString(zdt.getMonthValue()),  
        Integer.toString(zdt.getYear())};  
}  
}  
}
```

22.8.3. Add the Date-Time Method Extension to the Compiler Configuration

You must provide the date-time method name and the forge factory class name to the compiler configuration.

The sample XML snippet below configures the two example date-time methods:

```
<esper-configuration xmlns="http://www.espertech.com/schema/esper">  
    <compiler>  
        <plugin-method-datetime method-name="roll" forge-  
class="packagename.MyLocalDTMForgeFactoryRoll"/>  
        <plugin-method-datetime method-name="asArrayOfString" forge-  
class="packagename.MyLocalDTMForgeFactoryArrayOfString"/>  
    </compiler>  
</esper-configuration>
```

The next example uses the configuration API to register the same:

```
Configuration configuration = new Configuration();  
configuration.getCompiler().addPlugInDateTimeMethod("roll",  
    MyLocalDTMForgeFactoryRoll.class.getName());  
configuration.getCompiler().addPlugInDateTimeMethod("asArrayOfString",  
    MyLocalDTMForgeFactoryArrayOfString.class.getName());
```

22.8.4. Use the new Date-Time Methods

The sample EPL below uses the new methods:

```
select caldate.roll('date', true) as calroll,  
    longdate.roll('date', true) as longroll,  
    utildate.roll('date', true) as utilroll,  
    localdate.roll('date', true) as localdateroll,
```



```

zoneddate.roll('date', true) as zoneddateroll,
caldate.asArrayOfString() as arraystring_from_cal,
longdate.asArrayOfString() as arraystring_from_long,
utildate.asArrayOfString() as arraystring_from_util,
localdate.asArrayOfString() as arraystring_from_local,
zoneddate.asArrayOfString() as arraystring_from_zoned
from MyDateTimeEvent

```

22.9. Enumeration Method

Your application can provide additional enumeration methods by implementing the extension API as shown below. The steps are as follows:

1. Implement the `EnumMethodForgeFactory` interface (package `com.espertech.esper.common.client.hook.enummethod`) that the compiler invokes for validation and to receive information on the state class and the public static methods that your application exposes that provide the enumeration method logic.
2. Implement the `EnumMethodState` that holds the state for enumerating over input values.
3. Implement a static method (the processing method) that receives the state and each of the items of the collection of events, scalar values or object values and the result of lambda parameter expression evaluations.
4. Add the class name of the `EnumMethodForgeFactory` implementation to the compiler configuration.
5. Use the new enumeration method(s).

The example herein builds a simple enumeration method by name `median` that computes the median for a set of integer-typed input values and that returns a double-type median.

22.9.1. Implement the `EnumMethodForgeFactory` Interface

The implementation of the `EnumMethodForgeFactory` interface is responsible for:

1. The `initialize` method returns the available footprints.
2. The `validate` method may validate actual provided parameters and returns an `EnumMethodModeStaticMethod` descriptor.

The EPL compiler calls the `initialize` method to obtain the allowed footprints. It compares the footprints to the number and type of parameters actually provided.

The example `median` enumeration method takes a scalar numeric values as input and has no parameters.

```

DotMethodFP[] footprints = new DotMethodFP[] {

```

```

new DotMethodFP(DotMethodFPInputEnum.SCALAR_NUMERIC)
};
return new EnumMethodDescriptor(footprints);

```

Additional examples for footprint are:

Table 22.2. Enumeration Method Footprint Examples

Sample Footprint and Processing Method	Comment
<pre> new DotMethodFP(DotMethodFPInputEnum.EVENTCOLL, new DotMethodFPParam(1, EPLExpressionParamType.BOOLEAN)) </pre>	<p>Enumeration method taking events as input and that has a single lambda expression that is a predicate and that returns a boolean value</p>
<pre> process(State_class state, EventBean event, Boolean pass) </pre>	
<pre> new DotMethodFP(DotMethodFPInputEnum.SCALAR_ANY, new DotMethodFPParam(1, EPLExpressionParamType.NUMERIC)) </pre>	<p>Enumeration method taking any type of scalar values as input and that has a single lambda expression that is a value-selector and that returns a numeric value</p>
<pre> process(State_class state, Object value, Object lambdaResult) </pre>	
<pre> new DotMethodFP(DotMethodFPInputEnum.SCALAR_NUMERIC, new DotMethodFPParam("from", EPLExpressionParamType.NUMERIC), new DotMethodFPParam("to", EPLExpressionParamType.NUMERIC)) </pre>	<p>Enumeration method taking any type of numeric scalar values as input and that has no lambda expressions as parameter but two non-lambda expressions as parameter both returning a numeric value</p>
<pre> process(State_class state, Object value) </pre>	

Sample Footprint and Processing Comment Method

```
new
DotMethodFP(DotMethodFPInputEnum.EVENTCOLL,
    new DotMethodFPParam(1, "v1",
        EPLExpressionParamType.ANY),
    new DotMethodFPParam(1, "v2",
        EPLExpressionParamType.ANY))
```

Enumeration method taking events as input and that has two lambda expressions as parameter both returning any object value

```
process(State_class state,
    EventBean event, Object
    v1, Object v2)
```

```
new
DotMethodFP(DotMethodFPInputEnum.ANY,
    new DotMethodFPParam(2,
        "value,
        index",
        EPLExpressionParamType.BOOLEAN))
```

Enumeration method taking any type of scalar values as input and that a single lambda expression that has 2 parameters (value and index, similar to takeWhile with index) and that returns a boolean value

```
process(State_class state,
    EventBean event, Boolean
    pass)
```

Use the `EnumMethodModeStaticMethod` class to provide the class of the state object and the class and the name of the public static method that is the processing method.

The following class handles the new `median` enumeration method, which has single footprint that has no parameters:

```
public static class MyLocalEnumMethodForgeMedian implements
EnumMethodForgeFactory {
    private static final DotMethodFP[] FOOTPRINTS = new DotMethodFP[]{
        new DotMethodFP(DotMethodFPInputEnum.SCALAR_NUMERIC)
    };

    public EnumMethodDescriptor initialize(EnumMethodInitializeContext context) {
        return new EnumMethodDescriptor(FOOTPRINTS);
    }

    public EnumMethodModeStaticMethod validate(EnumMethodValidateContext context)
    {
        Class stateClass = MyLocalEnumMethodMedianState.class; // the class providing
        state, must implement EnumMethodState
    }
}
```

```
Class serviceClass = MyLocalEnumMethodMedianService.class; // the class
providing the processing method (any class)
String methodName = "next"; // the name of the method for processing an
item of input values (any method name)
        EPChainableType          returnType          =
EPChainableTypeHelper.singleValue(Double.class); // indicate that we are
returning a Double-type value
    boolean earlyExit = false;
    return new EnumMethodModeStaticMethod(stateClass, serviceClass, methodName,
returnType, earlyExit);
}
}
```

The `EnumMethodModeStaticMethod` provides multiple settings to the EPL compiler:

- The class that implements the `EnumMethodState` interface which holds enumeration state.
- The class and method name of the method that processes values and that receives the result of lambda parameter evaluation.
- The return type of the enumeration method which is an `EPChainableType` value.
- An indicator whether the state requires early-access checking.

The `EPChainableType` return type has the following choices:

- For a method returning a collection of events, always use `EPChainableTypeHelper.collectionOfEvents(context.getInputEventType())`.
- For a method returning a collection of objects, use `EPChainableTypeHelper.collectionOfSingleValue(class_of_value)`.
- For a method returning a single scalar value, use `EPChainableTypeHelper.singleValue(class_of_value)`.

22.9.2. Implement the `EnumMethodState` Interface

The implementation of the `EnumMethodState` interface is responsible for holding the transient state of one pass over input values to the enumeration method. The runtime allocates a new instance of the provided class for each execution of the enumeration method. The implementation class must have a default constructor.

The state class does this:

1. The `state` method returns the final result.

2. (Optional) Override the `setParameter` method to receive non-lambda expression parameter results.
3. (Optional) Override the `completed` method to indicate early-exit.

The following class handles the state for the `median` enumeration method and computes the median:

```
public class MyLocalEnumMethodMedianState implements EnumMethodState {
    private List<Integer> list = new ArrayList<>();

    public Object state() {
        Collections.sort(list);
        // get count of scores
        int totalElements = list.size();
        if (totalElements < 2) {
            return null;
        }
        // check if total number of scores is even
        if (totalElements % 2 == 0) {
            int sumOfMiddleElements = list.get(totalElements / 2) +
list.get(totalElements / 2 - 1);
            // calculate average of middle elements
            return ((double) sumOfMiddleElements) / 2;
        }
        return (double) list.get(totalElements / 2);
    }

    public void add(Integer value) {
        list.add(value);
    }
}
```

The example does not have additional non-lambda parameters and therefore does not override `setParameter`. Your application can receive any non-lambda expression values by overriding `setParameter`.

The example does not have early-exit and therefore does not override `completed`. Your application can override `completed` to indicate an early exit. Please make sure `EnumMethodModeStaticMethod` has the early-exit flag set.

22.9.3. Implement the Static Method for Processing

The processing method is the method that the runtime invokes for each input element. There is no interface for the class providing the method and the method must be public and static.

The processing method, that your application specified as part of `EnumMethodModeStaticMethod`, receives these values:

1. The first parameter is always the state class as provided in the previous step.
2. The second parameter is always the item value of type `EventBean` when the input is events, or type `Object` when the input is not events.
3. The remaining parameters are the result of the runtime evaluating the expression bodies of lambda expression parameters to the enumeration method.

The example `median` enumeration method takes scalar values as input and has no lambda expression parameters:

```
public static class MyLocalEnumMethodMedianService {
    public static void next(MyLocalEnumMethodMedianState state, Object element) {
        state.add((Integer) element);
    }
}
```

22.9.4. Add the Enumeration Method Extension to the Compiler Configuration

You must provide the enumeration method name and the forge factory class name to the compiler configuration.

The sample XML snippet below configures the two example date-time methods:

```
<esper-configuration xmlns="http://www.espertech.com/schema/esper">
  <compiler>
    <plugin-method-enum method-name="median" forge-
class="packagename.MyLocalEnumMethodForgeMedian" />
  </compiler>
</esper-configuration>
```

The next example uses the configuration API to register the same:

```
Configuration configuration = new Configuration();
configuration.getCompiler().addPlugInEnumerationMethod("median",
    MyLocalEnumMethodForgeMedian.class.getName());
```

22.9.5. Use the new Enumeration Method

The sample EPL below uses the new method, assuming that the `MyIntegerValuesEvent` has an event property by name `intvalues` that returns an array or collection of int-type values:

```
select intvalues.median() as median from MyIntegerValuesEvent
```

22.9.6. Further Information to Lambda Parameters

There are three types of lambda parameters supported.

When a lambda parameter is the value itself it is represented by `EnumMethodLambdaParameterTypeValue`. For example, in `orderItems.where(v => v.price > 0)` the `v` parameter is the input item value itself, i.e. the event or scalar value depending on input. This is always the default and no additional code is required.

When a lambda parameter is the index of the value it is represented by `EnumMethodLambdaParameterTypeIndex`. For example, in `orderItems.takeWhile((v, ind) => ind < 10)` the `ind` parameter is the numeric index of the item starting at zero.

The below code snippet sets the lambda parameter types for value and index:

```
mode.setLambdaParameters(descriptor -> {
    if (descriptor.getLambdaParameterNumber() == 0) {
        return EnumMethodLambdaParameterTypeValue.INSTANCE;
    }
    return EnumMethodLambdaParameterTypeIndex.INSTANCE;
});
```

When a lambda parameter is provided by the state class itself it is represented by `EnumMethodLambdaParameterTypeStateGetter`. For example, in `orderItems.aggregate(0, (result, v) => result + v.price)` the `result` parameter is provided by the state itself.

The below code snippet sets the lambda parameter types for state-provided and index:

```
mode.setLambdaParameters(descriptor -> {
    if (descriptor.getLambdaParameterNumber() == 0) {
        // the state class has a getResult method returning string
        return new EnumMethodLambdaParameterTypeStateGetter(int.class, "getResult");
    }
    return EnumMethodLambdaParameterTypeValue.INSTANCE;
});
```

Note that the example above assumes that the state class has a `getResult` method returning an int-type value.

For additional information and examples please consult the JavaDoc and regression testing code.

Chapter 23. Examples, Tutorials, Case Studies

23.1. Examples Overview

This chapter outlines the examples that come with the distribution in the `examples` folder of the distribution. Each sample is in a separate folder that contains all files needed by the example, excluding jar files.

Here is an overview over the examples in alphabetical order:

Table 23.1. Examples

Name	Description
Section 23.3, “AutoID RFID Reader”	<p>An array of RFID readers sense RFID tags as pallets are coming within the range of one of the readers.</p> <p>Shows the use of an XSD schema and XML event representation. A single statement shows a rolling time window, a where-clause filter on a nested property and a group-by.</p>
Section 23.6, “Market Data Feed Monitor”	<p>Processes a raw market data feed and reports throughput statistics and detects when the data rate of a feed falls off unexpectedly.</p> <p>Demonstrates a batch time window and a rolling time window with a having-clause. Multi-threaded example with a configurable number of threads and a simulator for generating feed data.</p>
Section 23.12, “MatchMaker”	<p>In the MatchMaker example every mobile user has an X and Y location and the task of the event patterns created by this example is to detect mobile users that are within proximity given a certain range, and for which certain properties match preferences.</p> <p>Uses an overlapping context to find matching mobile users based on mobile user events.</p>
Section 23.13, “Named Window Query”	<p>A mini-benchmark that handles temperature sensor events. The sample creates a named window and fills it with a large number of events. It then executes a large number of pre-compiled statements as well as fire-and-forget queries and reports times.</p> <p>Study this example if you are interested in named windows, Map event type representation, fire-and-forget queries as well as pre-defined statements via on-select, and the performance aspects.</p>

Name	Description
Section 23.14, "Sample Virtual Data Window"	This example demonstrates the use of virtual data window to expose a (large) external data store, without any need to keep events in memory, and without sacrificing statement performance.
Section 23.15, "Sample Cycle Detection"	This example showcases the aggregation multi-function extension API for use with a cycle-detection problem detecting cycles in transactions between accounts.
Section 23.7, "OHLC Plug-In Data Window"	<p>A plug-in custom data window addressing a problem in the financial space: Computes open-high-low-close bars for minute-intervals of events that may arrive late, based on each event's timestamp.</p> <p>A custom plug-in data window based on the extension API can be a convenient and reusable way to express a domain-specific analysis problem as a unit, and this example includes the code for the OHLC data window factory and window as well as simulator to test the window.</p>
Section 24.3, "Using the Performance Kit"	A benchmark that is further described in the performance section of this document under performance kit.
Section 23.16, "Quality of Service"	<p>This example develops some code for measuring quality-of-service levels such as for a service-level agreement (SLA).</p> <p>This example combines patterns with select-statements, shows the use of the timer 'at' operator and followed-by operator ->, and uses the iterator API to poll for current results.</p>
Section 23.10, "Assets Moving Across Zones - An RFID Example"	<p>An example out of the RFID domain processes location report events. The example includes a simple Swing-based GUI for visualization allows moving tags from zone to zone visually. It also contains comprehensive simulator to generate data for a large number of asset groups and their tracking.</p> <p>The example uses non-overlapping context to detect patterns in the aggregated data to determine when an asset group constraint is violated.</p>
Section 23.4, "Runtime Configuration"	Example code to demonstrate various key compile-time and runtime actions such as adding event types on-the-fly, adding new variables, adding plug-in single-row and aggregation functions and adding variant streams.
Section 23.5, "JMS Server Shell and Client"	The server shell is a Java Messaging Service (JMS) -based server and client that send and listens to messages on a JMS destination. It also demonstrates a simple Java Management Extension (JMX) MBean for remote statement management.

Name	Description
	A single statement computes an average duration for each IP address on a rolling time window and outputs a snapshot every 2 seconds.
Section 23.11, "StockTicker"	<p>An example from the financial domain that features event patterns to filter stock tick events based on price and symbol. The example is designed to provide a high volume of events and includes multithreaded unit test code as well as a simulating data generator.</p> <p>The example uses overlapping context to find when price spikes happen based on price limit events received.</p>
Section 23.9, "Self-Service Terminal"	<p>A J2EE-based self-service terminal managing system in an airport that gets a lot of events from connected terminals.</p> <p>Contains a message-driven bean (EJB-MDB) for use in a J2EE container, a client and a simulator, as well as statements for detecting various conditions. A version that runs outside of a J2EE container is also available.</p>
Section 23.17, "Trivia Geeks Club"	<p>Trivia Geeks Club demonstrates EPL for a scoring system computing scores in a trivia game.</p>

23.2. Running the Examples

In order to compile and run the samples please follow the below instructions:

1. Make sure Java 1.6 or greater is installed and the JAVA_HOME environment variable is set.
2. Open a console window and change directory to `examples/example_name/etc`.
3. Run "setenv.bat" (Windows) or "setenv.sh" (Unix) to verify your environment settings.
4. Run "compile.bat" (Windows) or "compile.sh" (Unix) to compile an example.
5. Now you are ready to run an example. Some examples require mandatory parameters that are also described in the file "readme.txt" in the "etc" folder.
6. Modify the logger logging level in the "log4j.xml" configuration file changing DEBUG to INFO on a class or package level to control the volume of text output.

Each example also provides Eclipse project `.classpath` and `.project` files. The Eclipse projects expect an `esper_runtime` user library that includes the runtime dependencies.

JUnit tests exist for the example code. The JUnit test source code for the examples can be found in each example's `src/test` folder. To build and run the example JUnit tests, use the Maven 2 goal `test`.

23.3. AutoID RFID Reader

In this example an array of RFID readers sense RFID tags as pallets are coming within the range of one of the readers. A reader generates XML documents with observation information such as reader sensor ID, observation time and tags observed. A statement computes the total number of tags per reader sensor ID within the last 60 seconds.

This example demonstrates how XML documents unmarshalled to `org.w3c.dom.Node` DOM document nodes can natively be processed by the runtime without requiring Java object event representations. The example uses an XPath expression for an event property counting the number of tags observed by a sensor. The XML documents follow the AutoID (<http://www.autoid.org/>) organization standard.

The classes for this example can be found in package `com.espertech.esper.example.autoid`. As events are XML documents with no Java object representation, the example does not have event classes.

A simulator that can be run from the command line is also available for this example. The simulator generates a number of XML documents as specified by a command line argument and prints out the totals per sensor. Run "run_autoid.bat" (Windows) or "run_autoid.sh" (Unix) to start the AutoID simulator. Please see the readme file in the same folder for build instructions and command line parameters.

The code snippet below shows the simple statement to compute the total number of tags per sensor. The statement is created by class `com.espertech.esper.example.autoid.RFIDTagsPerSensorStmt`.

```
select ID as sensorId, sum(countTags) as numTagsPerSensor
from AutoIdRFIDExample#time(60 seconds)
where Observation[0].Command = 'READ_PALLET_TAGS_ONLY'
group by ID
```

23.4. Runtime Configuration

This example demonstrates various key runtime configuration options such as adding event types on-the-fly, adding new variables, adding plug-in single-row and aggregation functions and adding variant streams.

The classes for this example live in package `com.espertech.esper.example.runtimeconfig`.

23.5. JMS Server Shell and Client

23.5.1. Overview

The server shell is a Java Messaging Service (JMS) -based server that listens to messages on a JMS destination, and sends the received events into the runtime. The example also

demonstrates a Java Management Extension (JMX) MBean that allows remote dynamic statement management. This server has been designed to run with either Tibco (TM) Enterprise Messaging System (Tibco EMS), or with Apache ActiveMQ, controlled by a properties file.

The server shell has been created as an alternative to the EsperIO Spring JMSTemplate adapter. The server shell is a low-latency processor for byte messages. It employs JMS listeners to process message in multiple threads, this model reduces thread context switching for many JMS providers. The server is configurable and has been tested with two JMS providers. It consists of only 10 classes and is thus easy to understand.

The server shell sample comes with a client (server shell client) that sends events into the JMS-based server, and that also creates a statement on the server remotely through a JMX MBean proxy class.

The server shell classes for this example live in package `com.espertech.esper.example.servershell`. Configure the server to point to your JMS provider by changing the properties in the file `servershell_config.properties` in the `etc` folder. Make sure your JMS provider (ActiveMQ or Tibco EMS) is running, then run "run_servershell.bat" (Windows) or "run_servershell.sh" (Unix) to start the JMS server.

Start the server shell process first before starting the client, since the client also demonstrates remote statement management through JMX by attaching to the server process.

The client classes to the server shell can be found in package `com.espertech.esper.example.servershellclient`. The client shares the same configuration file as the server shell. Run "run_servershellclient.bat" (Windows) or "run_servershellclient.sh" (Unix) to start the JMS producer client that includes a JMX client as well.

23.5.2. JMS Messages as Events

The server shell starts a configurable number of JMS `MessageListener` instances that listen to a given JMS destination. The listeners expect a `BytesMessage` that contain a `String` payload. The payload consists of an IP address and a double-typed duration value separated by a comma.

Each listener extracts the payload of a message, constructs an event object and sends the event into the shared runtime instance.

At startup time, the server creates a single statement with the runtime that prints out the average duration per IP address for the last 10 seconds of events, and that specifies an output rate of 2 seconds. By running the server and then the client, you can see the output of the averages every 2 seconds.

The server shell client acts as a JMS producer that sends 1000 events with random IP addresses and durations.

23.5.3. JMX for Remote Dynamic Statement Management

The server shell is also a JMX server providing an RMI-based connector. The server shell exposes a JMX MBean that allows remote statement management. The JMX MBean allows to create a statement remotely, attach a listener to the statement and undeploy a statement remotely.

The server shell client, upon startup, obtains a remote instance of the management MBean exposed by the server shell. It creates a statement through the MBean that filters out all durations greater than the value 9.9. After sending 1000 events, the client then undeploys the statement remotely on the server.

23.6. Market Data Feed Monitor

This example processes a raw market data feed. It reports throughput statistics and detects when the data rate of a feed falls off unexpectedly. A rate fall-off may mean that the data is stale and you want to alert when there is a possible problem with the feed.

The classes for this example live in package `com.espertech.esper.example.marketdatafeed`. Run "run_mktdatafeed.bat" (Windows) or "run_mktdatafeed.sh" (Unix) in the `examples/etc` folder to start the market data feed simulator.

23.6.1. Input Events

The input stream consists of 1 event stream that contains 2 simulated market data feeds. Each individual event in the stream indicates the feed that supplies the market data, the security symbol and some pricing information:

```
String symbol;  
FeedEnum feed;  
double bidPrice;  
double askPrice;
```

23.6.2. Computing Rates per Feed

For throughput statistics and to detect rapid fall-off, the example calculates a ticks per second rate for each market data feed.

You can use a statement that specifies a data window onto the market data event stream that batches together 1 second of events. You specify the feed and a count of events per feed as output values. To make this data available for further processing, you insert output events into the TicksPerSecond event stream:

```
insert into TicksPerSecond  
select feed, count(*) as cnt
```

```
from MarketDataEvent#time_batch(1 second)
group by feed
```

23.6.3. Detecting a Fall-Off

We define a rapid fall-off by alerting when the number of ticks per second for any second falls below 75% of the average number of ticks per second over the last 10 seconds.

We can compute the average number of ticks per second over the last 10 seconds simply by using the TicksPerSecond events computed by the prior statement and averaging the last 10 seconds. Next, the example compares the current rate with the moving average and filter out any rates that fall below 75% of the average:

```
select feed, avg(cnt) as avgCnt, cnt as feedCnt
  from TicksPerSecond#time(10 seconds)
 group by feed
having cnt < avg(cnt) * 0.75
```

23.6.4. Event generator

The simulator generates market data events for 2 feeds, feed A and feed B. The first parameter to the simulator is a number of threads. Each thread sends events for each feed in an endless loop. Note that as the Java VM garbage collection kicks in, the example generates rate drop-offs during such pauses.

The second parameter is a rate drop probability parameter specifies the probability in percent that the simulator drops the rate for a randomly chosen feed to 60% of the target rate for that second. Thus rate fall-off alerts can be generated.

The third parameter defines the number of seconds to run the example.

23.7. OHLC Plug-In Data Window

This example contains a fully-functional custom data window based on the extension API that computes OHLC open-high-low-close bars for events that provide a long-typed timestamp and a double-typed value.

OHLC bar is a problem out of the financial domain. The "Open" refers to the first datapoint and the "Close" to the last datapoint in an interval. The "High" refers to the maximum and the "Low" to the minimum value during each interval. The term "bar" is used to describe each interval results of these 4 values.

The example provides an OHLC data window that is hardcoded to 1-minute bars. It considers the timestamp value carried by each event, and not the system time. The cutoff time after which an event is no longer considered for a bar is hardcoded to 5 seconds.

The window assumes that events arrive in timestamp order: Each event's timestamp value is equal to or higher than the timestamp value provided by the prior event.

The window may also be used together with `#groupwin` to group per criteria, such as symbol. In this case the assumption of timestamp order applies per symbol.

The window gracefully handles no-event and late-event scenarios. Interval boundaries are defined by system time, thus event timestamp and system time must roughly be in-sync, unless using external timer events.

23.8. Transaction 3-Event Challenge

The classes for this example live in package `com.espertech.esper.example.transaction`. Run "run_txnsim.bat" (Windows) or "run_txnsim.sh" (Unix) to start the transaction simulator. Please see the readme file in the same folder for build instructions and command line parameters.

23.8.1. The Events

The use case involves tracking three components of a transaction. It's important that the example uses at least three components, since some runtimes have different performance or coding for only two events per transaction. Each component comes to the runtime as an event with the following fields:

- Transaction ID
- Time stamp

In addition, the example has the following extra fields:

In event A:

- Customer ID

In event C:

- Supplier ID (the ID of the supplier that the order was filled through)

23.8.2. Combined Event

We need to take in events A, B and C and produce a single, combined event with the following fields:

- Transaction ID
- Customer ID
- Time stamp from event A
- Time stamp from event B
- Time stamp from event C

What we're doing here is matching the transaction IDs on each event, to form an aggregate event. If all these events were in a relational database, this could be done as a simple SQL join... except that with 10,000 events per second, you will need some serious database hardware to do it.

23.8.3. Real-Time Summary Data

Further, the example produces the following:

- Min,Max,Average total latency from the events (difference in time between A and C) over the past 30 minutes.
- Min,Max,Average latency grouped by (a) customer ID and (b) supplier ID. In other words, metrics on the the latency of the orders coming from each customer and going to each supplier.
- Min,Max,Average latency between events A/B (time stamp of B minus A) and B/C (time stamp of C minus B).

23.8.4. Find Problems

The example detects a transaction that did not make it through all three events. In other words, a transaction with events A or B, but not C. Note that, in this case, what you care about is event C. The lack of events A or B could indicate a failure in the event transport and should be ignored. Although the lack of an event C could also be a transport failure, it merits looking into.

23.8.5. Event Generator

To make testing easier, standard and to demonstrate how the example works, the example is including an event generator. The generator generates events for a given number of transactions, using the following rules:

- One in 5,000 transactions will skip event A
- One in 1,000 transactions will skip event B
- One in 10,000 transactions will skip event C.
- Transaction identifiers are randomly generated
- Customer and supplier identifiers are randomly chosen from two lists
- The time stamp on each event is based on the system time. Between events A and B as well as B and C, between 0 and 999 is added to the time. So, you have an expected time difference of around 500 milliseconds between each event
- Events are randomly shuffled as described below

To make things harder, the example doesn't have transaction events coming in order. This code ensures that they come completely out of order. To do this, the example fills in a bucket with events and, when the bucket is full, it shuffles it. The buckets are sized so that some transactions' events will be split between buckets. So, you have a fairly randomized flow of events, representing the worst case from a big, distributed infrastructure.

The generator lets you change the size of the bucket (small, medium, large, larger, largerer). The larger the bucket size, the more events potentially come in between two events in a given

transaction and so, the more the performance characteristics like buffers, hashes/indexes and other structures are put to the test as the bucket size increases.

23.9. Self-Service Terminal

The example is about a J2EE-based self-service terminal managing system in an airport that gets a lot of events from connected terminals. The event rate is around 500 events per second. Some events indicate abnormal situations such as 'paper low' or 'terminal out of order'. Other events observe activity as customers use a terminal to check in and print boarding tickets.

23.9.1. Events

Each self-service terminal can publish any of the 6 events below.

- Checkin - Indicates a customer started a check-in dialog
- Cancelled - Indicates a customer cancelled a check-in dialog
- Completed - Indicates a customer completed a check-in dialog
- OutOfOrder - Indicates the terminal detected a hardware problem
- LowPaper - Indicates the terminal is low on paper
- Status - Indicates terminal status, published every 1 minute regardless of activity as a terminal heartbeat

All events provide information about the terminal that published the event, and a timestamp. The terminal information is held in a property named "term" and provides a terminal id. Since all events carry similar information, it models each event as a subtype to a base class BaseTerminalEvent, which will provide the terminal information that all events share. This enables us to treat all terminal events polymorphically, that is you can treat derived event types just like their parent event types. This helps simplify our statements.

All terminals publish Status events every 1 minute. In normal cases, the Status events indicate that a terminal is alive and online. The absence of status events may indicate that a terminal went offline for some reason and that may need to be investigated.

23.9.2. Detecting Customer Check-In Issues

A customer may be in the middle of a check-in when the terminal detects a hardware problem or when the network goes down. In that situation the example alerts a team member to help the customer. When the terminal detects a problem, it issues an OutOfOrder event. A pattern can find situations where the terminal indicates out-of-order and the customer is in the middle of the check-in process:

```
select * from pattern [ every a=Checkin ->
    ( OutOfOrder(term.id=a.term.id) and not
      (Cancelled(term.id=a.term.id) or Completed(term.id=a.term.id)) ) ]
```

23.9.3. Absence of Status Events

Since Status events arrive in regular intervals of 60 seconds, you can make use of temporal pattern matching using timer to find events that didn't arrive. You can use the every operator and timer:interval() to repeat an action every 60 seconds. Then you combine this with a not operator to check for absence of Status events. A 65 second interval during which you look for Status events allows 5 seconds to account for a possible delay in transmission or processing:

```
select 'terminal 1 is offline' from pattern
  [every timer:interval(60 sec) -> (timer:interval(65 sec) and not Status(term.id
  = 'T1'))]
output first every 5 minutes
```

23.9.4. Activity Summary Data

By presenting statistical information about terminal activity to our staff in real-time you enable them to monitor the system and spot problems. The next example statement simply gives us a count per event type every 1 minute. You could further use this data, available through the CountPerType event stream, to join and compare against a recorded usage pattern, or to just summarize activity in real-time.

```
insert into CountPerType
select type, count(*) as countPerType
from BaseTerminalEvent#time(10 minutes)
group by type
output all every 1 minutes
```

23.9.5. Sample Application for J2EE Application Server

The example code in the distribution package implements a message-driven enterprise java bean (MDB EJB). The example uses an MDB as a convenient place for processing incoming events via a JMS message queue or topic. The example uses 2 JMS queues: One queue to receive events published by terminals, and a second queue to indicate situations detected via statement and listener back to a receiving process.

This example has been packaged for deployment into a JBoss Java application server (see <http://www.jboss.org>) with default deployment configuration. JBoss is an open-source application server available under LGPL license. Of course the choice of application server does not indicate a requirement or preference for the use of the compiler and/or runtime in a J2EE container. Other quality J2EE application servers are available and perhaps more suitable to run this example or a similar application.

The complete example code can be found in the "examples/terminalsvc" folder of the distribution. The standalone version that does not require a J2EE container is in "examples/terminalsvc-jse".

23.9.5.1. Running the Example

The pre-build EAR file contains the MDB for deployment to a JBoss application server with default deployment options. The JBoss default configuration provides 2 queues that this example utilizes: queue/A and queue/B. The queue/B is used to send events into the MDB, while queue/A is used to indicate back the any data received by listeners to statements.

The application can be deployed by copying the ear file in the "examples/terminalsvc/terminalsvc-ear" folder to your JBoss deployment directory located under the JBoss home directory under "standalone/deployments".

The example contains an event simulator and an event receiver that can be invoked from the command line. See the folder "examples/terminalsvc/etc" folder readme file and start scripts for Windows and Unix, and the documentation set for further information on the simulator.

23.9.5.2. Building the Example

This example requires Maven 2 to build. To build the example, change directory to the folder "examples/terminalsvc" and type "mvn package". The instructions have been tested with JBoss AS 7.1.1 and Maven 3.0.4.

The Maven build packages the EAR file for deployment to a JBoss application server with default deployment options.

23.9.5.3. Running the Event Simulator and Receiver

The example also contains an event simulator that generates meaningful events. The simulator can be run from the directory "examples/terminalsvc/etc" via the command "run_terminalsvc_sender.bat" (Windows) and "run_terminalsvc_sender.sh" (Linux). The event simulator generates a batch of at least 200 events every 1 second. Randomly, with a chance of 1 in 10 for each batch of events, the simulator generates either an OutOfOrder or a LowPaper event for a random terminal. Each batch the simulator generates 100 random terminal ids and generates a Checkin event for each. It then generates either a Cancelled or a Completed event for each. With a chance of 1 in 1000, it generates an OutOfOrder event instead of the Cancelled or Completed event for a terminal.

The event receiver listens to the MDB-outcoming queue for alerts and prints these out to console. The receiver can be run from the directory "examples/terminalsvc/etc" via the command "run_terminalsvc_receiver.bat" (Windows) and "run_terminalsvc_receiver.sh" (Linux). Before running please copy the `jboss-client.jar` file from your JBoss AS installation bin directory to the "terminalsvc/lib" folder.

The receiver and sender code use "guest" as user and "pass" as password. Add the "guest" user using the Jboss "add-user" script and assign the role "guest". Your JBoss server may need to start with "-c standalone-full.xml" to have the messaging subsystem available.

Add queue configurations to the messaging subsystem configuration as follows:

```
<jms-queue name="queue_a">
  <entry name="queue_a"/>
  <entry name="java:jboss/exported/jms/queue/queue_a"/>
</jms-queue>
<jms-queue name="queue_b">
  <entry name="queue_b"/>
  <entry name="java:jboss/exported/jms/queue/queue_b"/>
</jms-queue>
```

Disable persistence in the messaging subsystem for this example so it is not running out of disk space:

```
<persistence-enabled>>false</persistence-enabled>
```

23.10. Assets Moving Across Zones - An RFID Example

This example out of the RFID domain processes location report events. Each location report event indicates an asset id and the current zone of the asset. The example solves the problem that when a given set of assets is not moving together from zone to zone, then an alert must be fired.

Each asset group is tracked by 2 statements. The two statements to track a single asset group consisting of assets identified by asset ids {1, 2, 3} are as follows:

```
insert into CountZone_G1
select 1 as groupId, zone, count(*) as cnt
from LocationReport(assetId in 1, 2, 3)#unique(assetId)
group by zone

select Part.zone from pattern [
  every Part=CountZone_G1(cnt in (1,2)) ->
  (timer:interval(10 sec) and not CountZone_G1(zone=Part.zone, cnt in (0,3)))]
```

The classes for this example can be found in package `com.espertech.esper.example.rfid`.

This example provides a Swing-based GUI that can be run from the command line. The GUI allows drag-and-drop of three RFID tags that form one asset group from zone to zone. Each time you move an asset across the screen the example sends an event into the runtime indicating the asset id and current zone. The example detects if within 10 seconds the three assets do not join each other within the same zone, but stay split across zones. Run "run_rfid_swing.bat" (Windows) or "run_rfid_swing.sh" (Unix) to start the example's Swing GUI.

The example also provides a simulator that can be run from the command line. The simulator generates a number of asset groups as specified by a command line argument and starts a

number of threads as specified by a command line argument to send location report events into the runtime. Run "run_rfid_sim.bat" (Windows) or "run_rfid_sim.sh" (Unix) to start the RFID location report event simulator. Please see the readme file in the same folder for build instructions and command line parameters.

23.11. StockTicker

The StockTicker example comes from the stock trading domain. The example creates event patterns to filter stock tick events based on price and symbol. When a stock tick event is encountered that falls outside the lower or upper price limit, the example simply displays that stock tick event. The price range itself is dynamically created and changed. This is accomplished by an overlapping context that uses price limit event to determine how to look for price spikes.

The classes `StockTick` and `PriceLimit` represent our events. The event patterns are created by the class `StockTickerEPLUtil`.

Summary:

- Good example to learn the API and get started with contexts and patterns.
- When price limit events arrive allocates patterns that find the price spike.
- Simple, highly-performant filter expressions for event properties in the stock tick event such as symbol and price.

23.12. MatchMaker

In the MatchMaker example every mobile user has an X and Y location, a set of properties (gender, hair color, age range) and a set of preferences (one for each property) to match. The task of the event patterns created by this example is to detect mobile users that are within proximity given a certain range, and for which the properties match preferences.

The event class representing mobile users is `MobileUserBean`. The `MatchMakerEPL` class contains the patterns for detecting matches.

Summary:

- Uses overlapping context to find matching mobile user events
- Uses range matching for X and Y properties of mobile user events

23.13. Named Window Query

This example handles very minimal temperature sensor events which are represented by `java.util.Map`. It creates a named window and fills it with a large number of events. It then executes a large number of pre-defined statements via `on-select` as well as performs a large number of fire-and-forget queries against the named window, and reports execution times.

23.14. Sample Virtual Data Window

Virtual data windows are an extension API used to integrate external stores and expose the data therein as a named window.

See the `virtualdw` folder for example code, compile and run scripts.

23.15. Sample Cycle Detection

The example is also discussed in the section on extension APIs specifically the aggregation multi-function development. The example uses the `jgrapht` library for a cycle-detection problem detecting cycles in transactions between accounts.

See the `examples/cycledetect` folder for example code, compile and run scripts.

23.16. Quality of Service

This example develops some code for measuring quality-of-service levels such as for a service-level agreement (SLA). A SLA is a contract between 2 parties that defines service constraints such as maximum latency for service operations or error rates.

The example measures and monitors operation latency and error counts per customer and operation. When one of our operations oversteps these constraints, you want to be alerted right away. Additionally, you would like to have some monitoring in place that checks the health of our service and provides some information on how the operations are used.

Some of the constraints you need to check are:

- That the latency (time to finish) of some of the operations is always less than X seconds.
- That the latency average is always less than Y seconds over Z operation invocations.

The `com.espertech.esper.example.qos_sla.events.OperationMeasurement` event class with its latency and status properties is the main event used for the SLA analysis. The other event `LatencyLimit` serves to set latency limits on the fly.

The `com.espertech.esper.example.qos_sla.monitor.AverageLatencyMonitor` creates a statement that computes latency statistics per customer and operation for the last 100 events. The `DynaLatencySpikeMonitor` uses an event pattern to listen to spikes in latency with dynamically set limits. The `ErrorRateMonitor` uses the timer 'at' operator in an event pattern that wakes up periodically and polls the error rate within the last 10 minutes. The `ServiceHealthMonitor` simply alerts when 3 errors occur, and the `SpikeAndErrorMonitor` alerts when a fixed latency is overstepped or an error status is reported.

Summary:

- This example combines event patterns with statements for event stream analysis.

- Shows the use of the timer 'at' operator and followed-by operator -> in event patterns.
- Outlines basic statements.
- Shows how to pull data out of statements rather than subscribing to events a statement publishes.

23.17. Trivia Geeks Club

This example was developed for the DEBS 2011 conference and demonstrates how scoring rules for a trivia game can be implemented in EPL.

The module that implements all scoring rules is located in the `etc` folder in file `trivia.epl`. The EPL is all required to run the solution without any custom functions required.

The trivia geeks club rules (the requirements) are provided in the `etc` folder in file `trivia_scoring_requirements.htm`.

The implementation provided tests the questions, answers and scoring according to the data provided in `trivia_test_questions_small.htm` and `trivia_test_questions_large.htm`.

Chapter 24. Performance

24.1. Big O Notation

The big O notation is used to classify algorithms according to how their running time grows as the input size grows. This chapter discusses big O complexity of algorithms implemented by the EPL runtime.

For hash lookups the O-notation value is approximate. For logarithmic running-time function we use $O(\log N)$ but mean $O(\log_t N)$ with an unspecified value for t .



Note

Big-O provided here is general guidance. This section may not be entirely complete and may not list all exceptions.

24.1.1. Big-O Complexity of Matching Events to Statements and Context Partitions

The **runtime determines**, for each event, which EPL statements must process the event. For EPL statements that are context partitioned with multiple partitions, such as for overlapping, keyed, hash or category contexts (see [Chapter 4, Context and Context Partitions](#)), the runtime determines, for each event, which partitions of each statement must process the event.

This operation **takes place when**:

- When an application calls the `sendEvent` method of `EPEventService`.

For example, the application invokes `eventService.sendEventBean(new StockTickEvent(...), "StockTick")` and the runtime determines which EPL statement and partition must process the `StockTick` event.

- When the runtime evaluates a statement that uses `insert into`.

For example, the application creates a statement `insert into StockTickOverPrice100 select * as price from StockTick(price>100)`. After processing a `StockTick` event with a price greater 100, the runtime allocates a new `StockTickOverPrice100` event and determines which EPL statement and partition must process the new `StockTickOverPrice100` event.

The **parameter to the operation** is the individual event e.g. the `StockTick` or the `StockTickOverPrice100` event.

The **data structure** is the filter indexes, a nestable tree of indexes organized by event type, see [Section 2.18.2, "Filter Indexes"](#).

The **algorithm** takes the individual event and walks the filter indexes to determine which statements and context partitions must process the event.

The **input** is the presence and nature of filter expressions of EPL statements and the number of partitions, including where-clauses (see [Section 5.5, “Specifying Search Conditions: The Where Clause”](#) for where-clause rewrites).

The **big-o complexity** depends on the input. It always includes a hash lookup by event type that is constant time $O(1)$.

24.1.1.1. Example 1

Assume the input is N statements as follows.

```
select * from Event(property=value)
```

The complexity is constant time $O(1)$ as the same property appears in all filter expressions and with the equals-operator (=) and therefore hash lookup.

As for example in this EPL:

```
select * from StockTick(symbol='A');  
select * from StockTick(symbol='B');
```

The runtime obtains the symbol value of the stock tick event once and performs a single hash lookup.

24.1.1.2. Example 2

Assume the input is N statements as follows wherein each property name is a different event property name:

```
select * from Event(property_n=value)
```

The complexity is linear time $O(N)$ as a different property appears in all filter expressions.

As for example in this EPL:

```
select * from StockTick(symbol='A');  
select * from StockTick(feed='001');
```

24.1.1.3. Example 3

Assume the input is N statements as follows.

```
select * from Event(property_1=constant and property_2>value)
```

The complexity is $O(\log N)$. The same property names appears in all filter expressions. The relational greater-than operator ($>$) is a btree lookup.

As for example in this EPL:

```
select * from StockTick(symbol='A', price>100);
select * from StockTick(symbol='A', price>200);
```

The runtime obtains the symbol value of the stock tick event once and performs a single hash lookup. It obtains the price value of the stock tick event once and performs a single btree lookup.

24.1.2. Big-O Complexity of Matching Time to Statements and Context Partitions

The **runtime determines**, when time advances, which EPL statements must process the new runtime time. For EPL statements that are context partitioned with multiple partitions, such as for overlapping, keyed, hash or category contexts (see [Chapter 4, Context and Context Partitions](#)), the runtime determines which partitions of each statement must process the new runtime time.

This operation **takes place when**:

- When an application calls the `advanceTime` or `advanceTimeSpan` method of `EPEventService` (when using external timer).

For example, the application invokes `eventService.advanceTime(DateTime.parse("2002-05-30T09:01:02.003"))` and the runtime determines which EPL statement and partition must process the new runtime time.

- When the runtime uses the internal timer (aka. system time) and the current system time becomes current runtime time.

The **parameter to the operation** is the new runtime time.

The **data structure** is the schedule maintained internally by the runtime which is a data structure sorted by time.

The **algorithm** takes the new runtime time and performs a lookup.

The **input** is the presence and nature of time-related expressions of EPL statements and the number of partitions.

The **big-o complexity** is $O(\log N)$.

24.1.3. Big-O Complexity of Joins, Subqueries, On-Select, On-Merge, On-Update, On-Delete

The **runtime performs** a join, a subquery, an on-select, an on-merge, an on-update, an on-delete or a fire-and-forget query. The runtime determines the subset of events (or rows of a table) by performing an index lookup. It performs additional actions on the subset.

The query planner is responsible for determining the indexes to use. The query planner uses the `where`-clause (if any) and the `on`-clause (if any) to plan index use. Use query plan logging to obtain information about the query plans.

This operation **takes place when**:

- It is a join and the runtime performs a lookup into a stream's events (or named window or table) to resolve the subset of events for that stream (or named window or table) to determine final join results.
- It is a subquery and the runtime performs a lookup into subqueries's events (or aggregation rows) to resolve the subset of subquery result events and to process these.
- It is an `on`-action statement such as `on-select`, `on-merge`, `on-update` and `on-delete` and the runtime performs a lookup into a named window events or table rows to resolve the subset and process these.
- It is a fire-and-forget select, update or delete query.

The **parameters to the operation** are the events of the `from`-clause and `on-trigger`. For fire-and-forget queries the parameters originate from the filter expressions and `where`-clause.

The **data structure** is the event index, see [Section 2.18.3, "Event Indexes"](#).

The **algorithm** takes event data and performs an index lookup according to the chosen index organization, to determine and process the subset of events.

The **input** is the indexed events (or table rows).

The **big-o complexity** depends on the type of lookup operation.

- For lookups that are hash only the complexity is constant time $O(1)$.
- For lookups that are btree or that combine hash and btree the complexity is $O(\log N)$.
- Otherwise the complexity is $O(N)$. Without indexes a scan has to inspect every event which means it will scale with the number of events.

24.1.3.1. Example 1

This example is a subquery. When an `RFIDEvent` arrives the runtime finds `Zone` events for the same zone id:

```
select * from RFIDEvent as rfid where exists (select * from
Zone#unique(zoneId) as zone where rfid.zoneId = zone.zoneId)
```

The `where`-clause uses equals (`=`) and the query planner plans a hash index lookup. The operation is constant time $O(1)$.

24.1.3.2. Example 2

This example declares a `TickWindow` named `window` holding `StockTick` events. It uses `on-select` to select all stock ticks with a price greater the price provided by `PriceQuery`:

```
create window TickWindow#time(10) from StockTick;
on PriceQuery as priceQuery select * from TickWindow as ticks where
ticks.price > priceQuery.price;
```

The `where`-clause uses the relational greater operator (`>`) and the query planner plans a btree index lookup. The operation is $O(\log N)$ with N related to the number of `TickWindow` events.

24.1.3.3. Example 3

This example is an unidirectional join. When an `RFIDEvent` arrives it outputs a row for each `Zone` event unique by zone id:

```
select * from RFIDEvent unidirectional, Zone#unique(zoneId)
```

There is no `where`-clause and the query planner cannot use an index. The operation is linear time $O(N)$ with N related to the number of `Zone` events.

24.1.4. Big-O Complexity of Enumeration Methods

The **runtime evaluates** enumeration methods by applying an operation to each element in a collection.

This operation **takes place** for each enumeration method.

The **parameters to the operation** are the parameters passed to the enumeration method.

The **algorithm** iterates the collection and performs the operation.

The **input** are the collection of events or scalar values.

The **big-o complexity** depends on the enumeration method.

- For `take` and `takeLast` the complexity is constant time $O(1)$ for a small number of elements, when the size parameter is small, and linear time $O(N)$ in the worst case, when the size parameter is large.
- For `countOf` the complexity is constant time $O(1)$ and can be linear time $O(N)$ for data structures that don't provide a size.
- For all other enumeration methods the complexity is linear time $O(N)$.

24.1.5. Big-O Complexity of Aggregation Methods

The **runtime evaluates** aggregation methods by applying an operation to aggregation state.

This operation **takes place** for each aggregation method.

The **parameters to the operation** are the parameters passed to the aggregation method.

The **algorithm** evaluates parameters and queries aggregation state.

The **input** is the number of aggregated events held by the aggregation state.

The **big-o complexity** for sorted aggregations is:

- For `eventsBetween` the complexity is $O(\log N)$ (for small ranges) and can be linear time $O(N)$ in the worst case (for large ranges) .
- For all other aggregation methods on sorted aggregations the complexity is $O(\log N)$.

The **big-o complexity** for aggregation methods on window aggregations is constant $O(1)$.

24.2. Performance Tips

24.2.1. Understand How to Tune Your Java Virtual Machine

The compiler and runtime run on a JVM and you need to be familiar with JVM tuning. Key parameters to consider include minimum and maximum heap memory and nursery heap sizes. Statements with time-based or length-based data windows can consume large amounts of memory as their size or length can be large.

For time-based data windows, one needs to be aware that the memory consumed depends on the actual event stream input throughput. Event pattern instances also consume memory, especially when using the "every" keyword in patterns to repeat pattern sub-expressions - which again will depend on the actual event stream input throughput.

24.2.2. Input and Output Bottlenecks

Your application receives output events from statements through the `UpdateListener` interface or via the strongly-typed subscriber POJO object. Such output events are delivered by the application or timer thread(s) that sends an input event into the runtime instance.

The processing of output events that your listener or subscriber performs temporarily blocks the thread until the processing completes, and may thus reduce throughput. It can therefore be beneficial for your application to process output events asynchronously and not block the runtime while an output event is being processed by your listener, especially if your listener code performs blocking IO operations.

For example, your application may want to send output events to a JMS destination or write output event data to a relational database. For optimal throughput, consider performing such blocking operations in a separate thread.

Additionally, when reading input events from a store or network in a performance test, you may find that the runtime processes events faster than you are able to feed events into the runtime. In such case you may want to consider an in-memory driver for use in performance testing. Also consider decoupling your read operation from the event processing operation (`sendEvent` method) by having multiple readers or by pre-fetching your data from the store.

24.2.3. Threading

We recommend using multiple threads to send events into the runtime. There is a test class below. Our test class does not use a blocking queue and thread pool so as to avoid a point of contention.

A sample code for testing performance with multiple threads is provided:

```
public class SampleClassThreading {

    public static void main(String[] args) throws InterruptedException {

        int numEvents = 1000000;
        int numThreads = 3;

        Configuration config = new Configuration();

        config.getRuntime().getThreading().setListenerDispatchPreserveOrder(false);
        config.getRuntime().getThreading().setInternalTimerEnabled(false); //
        // remove thread that handles time advancing
        config.getCommon().addEventType(MyEvent.class);

        String epl = "create context MyContext coalesce by consistent_hash_crc32(id)
" +
                    "from MyEvent granularity 64 preallocate;\n" +
                    "@name('result') context MyContext select count(*) from
MyEvent group by id;\n";
        EPCompiled compiled;
        try {
            compiled = EPCompilerProvider.getCompiler().compile(epl, new
CompilerArguments(config);
        }
        catch (EPCompileException ex) {
            throw new RuntimeException(ex.getMessage(), ex);
        }

        EPRuntime runtime = EPRuntimeProvider.getDefaultRuntime(config);
        EPDeployment deployment;
        try {
            deployment = runtime.getDeploymentService().deploy(compiled);
        }
        catch (EPDeployException ex) {
            throw new RuntimeException(ex.getMessage(), ex);
        }

        EPStatement stmt
= runtime.getDeploymentService().getStatement(deployment.getDeploymentId(),
"result");
        stmt.setSubscriber(new MySubscriber());
    }
}
```

```
Thread[] threads = new Thread[numThreads];
CountDownLatch latch = new CountDownLatch(numThreads);

int eventsPerThreads = numEvents / numThreads;
for (int i = 0; i < numThreads; i++) {
    threads[i] = new Thread(
        new MyRunnable(latch, eventsPerThreads, runtime.getEventService()));
}
long startTime = System.currentTimeMillis();
for (int i = 0; i < numThreads; i++) {
    threads[i].start();
}

latch.await(10, TimeUnit.MINUTES);
if (latch.getCount() > 0) {
    throw new RuntimeException("Failed to complete in 10 minute");
}
long delta = System.currentTimeMillis() - startTime;
System.out.println("Took " + delta + " millis");
}

public static class MySubscriber {
    public void update(Object[] args) {
    }
}

public static class MyRunnable implements Runnable {
    private final CountDownLatch latch;
    private final int numEvents;
    private final EPEventService eventService;

    public MyRunnable(CountDownLatch latch, int numEvents, EPEventService
eventService) {
        this.latch = latch;
        this.numEvents = numEvents;
        this.eventService = eventService;
    }

    public void run() {
        Random r = new Random();
        for (int i = 0; i < numEvents; i++) {
            eventService.sendEventBean(new MyEvent(r.nextInt(512)), "MyEvent");
        }
        latch.countDown();
    }
}

public static class MyEvent {
    private final int id;
}
```



```
public MyEvent(int id) {
    this.id = id;
}

public int getId() {
    return id;
}
}
```

We recommend using Java threads as above, or a blocking queue and thread pool with `sendEventType` or alternatively we recommend configuring inbound threading if your application does not already employ threading. The runtime provides the configuration option to use runtime-level queues and threadpools for inbound, outbound and internal executions. See [Section 16.8.1, “Advanced Threading”](#) for more information.

We recommend the outbound threading if your listeners are blocking. For outbound threading also see the section below on tuning and disabling listener delivery guarantees.

If enabling advanced threading options keep in mind that the runtime will maintain a queue and thread pool. There is additional overhead associated with entering work units into the queue, maintaining the queue and the hand-off between threads. The Java blocking queues are not necessarily fast on all JVM. It is not necessarily true that your application will perform better with any of the advanced threading options.

We found scalability better on Linux systems and running Java with `-server` and pinning threads to exclusive CPUs and after making sure CPUs are available on your system.

We recommend looking at LMAX Disruptor, an inter-thread messaging library, for setting up processing stages. Disruptor, however, is reportedly less suitable for setting up a worker pool.

24.2.3.1. Thread Pool Pattern

The sample code below may help you get started setting up a thread pool of workers with back pressure and consideration for IO threads and clean shutdown.

The sample code starts by setting up a thread factory:

```
private static class RuntimeThreadFactory implements ThreadFactory {
    private AtomicInteger id = new AtomicInteger(0);

    public Thread newThread(Runnable r) {
        Thread t = new Thread(r, "Event Runtime Thread #" + id.incrementAndGet());
        t.setDaemon(true);
        t.setPriority(Thread.NORM_PRIORITY);
        return t;
    }
}
```

```
}
```

The sample uses a fixed-size array blocking queue. To handle the situation where the queue is full and accepts no more messages, it uses a rejection handler that counts the number of rejections and retries:

```
private class RuntimeRejectionHandler implements RejectedExecutionHandler {
    private volatile long spinCount = 0;

    public long getSpinCount() {
        return spinCount;
    }

    public void rejectedExecution(Runnable r, ThreadPoolExecutor executor) {
        ++spinCount;

        try {
            boolean isAccepted = false;
            while (!isAccepted) {
                isAccepted = executorQueue.offer(r, 120, TimeUnit.MICROSECONDS);
            }
        }
        catch (InterruptedException e) {
            log.warn("could not queue work entry");
        }
    }
}
```

The Runnable that submits an event for processing could look like this:

```
class Holder implements Runnable {
    public void run() {
        // do any stuff needed to "prepare" event which doesn't involve IO
        runtime.getEventService().sendEventBean(lm, "LMEventType");
    }
}
```

Initialize the queue and worker pool as follows:

```
private final static int CAPACITY = 10000;
private final static int THREAD_COUNT = 4;

private static EPRuntime runtime;
private ThreadFactory threadFactory = new RuntimeThreadFactory();
```

```
private RuntimeRejectionHandler rejectionHandler = new
RuntimeRejectionHandler();
private BlockingQueue<Runnable> executorQueue;
private ThreadPoolExecutor executor;

public void start() {
    executorQueue = new ArrayBlockingQueue<Runnable>(CAPACITY);
    executor = new ThreadPoolExecutor(THREAD_COUNT, THREAD_COUNT, 0,
TimeUnit.SECONDS,
    executorQueue, threadFactory, rejectionHandler);
    executor.allowCoreThreadTimeOut(false);
    while (executor.getPoolSize() < executor.getCorePoolSize()) {
        executor.prestartCoreThread();
    }
}
```

To shut down cleanly, and before destroying the runtime, the sample code is:

```
executor.shutdown();
while (!executor.isTerminated()) {
    Thread.sleep(100);
}
```

The next sample code goes into the IO or input thread(s) such as NIO mapped file, file channel, socket channel, or zmq / nanomsg etc., and submits a work unit to the queue:

```
while (programAlive) {
    // deserialize event to POJO, Map, Array, etc.,
    // pass along an event type name when needed
    executor.execute(new Holder(myeventobject));
}
```

You could periodically dump the `spinCount` variable to get an idea of queue depth. You can tune the size of the Executor's pool, and the size of the `TimeUnit`'s of sleep used inside the `rejectedExecution` method, until you get 1) stable performance at highest level (determined by optimal number of threads in pool, 2) avoid wasting CPU in IO thread(s) (determined by optimal sleeping time between each attempt to re-queue rejected events to the thread pool).

24.2.4. Select the Underlying Event Rather Than Individual Fields

By selecting the underlying event in the `select`-clause you can reduce load on the runtime, since the runtime does not need to generate a new output event for each input event.

For example, the following statement returns the underlying event to update listeners:

```
// Better performance
select * from RFIDEvent
```

In comparison, the next statement selects individual properties. This statement requires the runtime to generate an output event that contains exactly the required properties:

```
// Less good performance
select assetId, zone, xlocation, ylocation from RFIDEvent
```

24.2.5. Prefer Stream-Level Filtering Over Where-Clause Filtering

The runtime stream-level filtering is very well optimized, while filtering via the where-clause post any data windows is not optimized.

The same is true for named windows. If your application is only interested in a subset of named window data and such filters are not correlated to arriving events, place the filters into parenthesis after the named window name.

24.2.5.1. Examples Without Named Windows

Consider the example below, which performs stream-level filtering:

```
// Better performance : stream-level filtering
select * from MarketData(ticker = 'GOOG')
```

The example below is the equivalent (same semantics) statement and performs post-data-window filtering without a data window. The compiler does not optimize statements that filter in the where-clause for the reason that data windows are generally present.

```
// Less good performance : post-data-window filtering
select * from Market where ticker = 'GOOG'
```

Thus this optimization technique applies to statements without any data window.

When a data window is used, the semantics change. Let's look at an example to better understand the difference: In the next statement only GOOG market events enter the length window:

```
select avg(price) from MarketData(ticker = 'GOOG')#length(100)
```

The above statement computes the average price of GOOG market data events for the last 100 GOOG market data events.

Compare the filter position to a filter in the where clause. The following statement is NOT equivalent as all events enter the data window (not just GOOG events):

```
select avg(price) from Market#length(100) where ticker = 'GOOG'
```

The statement above computes the average price of all market data events for the last 100 market data events, and outputs results only for GOOG.

24.2.5.2. Examples Using Named Windows

The next two example statements put the account number filter criteria directly into parenthesis following the named window name:

```
// Better performance : stream-level filtering
select * from WithdrawalNamedWindow(accountNumber = '123')
```

```
// Better performance : example with subquery
select *, (select * from LoginSucceededWindow(accountNumber = '123'))
from WithdrawalNamedWindow(accountNumber = '123')
```

24.2.5.3. Common Computations in Where-Clauses

If you have a number of statements performing a given computation on incoming events, consider moving the computation from the where-clause to a plug-in user-defined function that is listed as part of stream-level filter criteria. The compiler optimizes evaluation of user-defined functions in filters such that an incoming event can undergo the computation just once even in the presence of N statements.

```
// Prefer stream-level filtering with a user-defined function
select * from MarketData(vstCompare(*))
```

```
// Less preferable when there are N similar statements:
// Move the computation in the where-clause to the "vstCompare" function.
```

```
select * from MarketData where (VST * RT) - (VST / RT) > 1
```

24.2.6. Reduce the Use of Arithmetic in Expressions

The compiler and runtime do not yet pre-evaluate arithmetic expressions that produce constant results, however since the compiler generates byte code the JVM byte code optimization takes place and may pre-evaluate certain expressions.

Therefore, a filter expression as below is optimized:

```
// Better performance : no arithmetic
select * from MarketData(price>40)
```

While the compiler cannot currently optimize this expression:

```
// Less good performance : with arithmetic
select * from MarketData(price+10>50)
```

24.2.7. Remove Unnecessary Constructs

If your statement uses `order by` to order output events, consider removing `order by` unless your application does indeed require the events it receives to be ordered.

If your statement specifies `group by` but does not use aggregation functions, consider removing `group by`.

If your statement specifies `group by` but the filter criteria only allows one group, consider removing `group by`:

```
// Prefer:
select * from MarketData(symbol = 'GE') having sum(price) > 1000

// Don't use this since the filter specifies a single symbol:
select * from MarketData(symbol = 'GE') group by symbol having sum(price) > 1000
```

If your statement specifies the grouped data window `#groupwin` but the window being grouped retains the same set of events regardless of grouping, remove `#groupwin`, for example:

```
// Prefer:
create window MarketDataWindow#keepall as MarketDataEventType

// Don't use this, since keeping all events
```

```
// or keeping all events per symbol is the same thing:
create window MarketDataWindow#groupwin(symbol)#keepall as MarketDataEventType

// Don't use this, since keeping the last 1-minute of events
// or keeping 1-minute of events per symbol is the same thing:
create window MarketDataWindow#groupwin(symbol)#time(1 min) as
MarketDataEventType
```

It is not necessary to specify a data window for each stream.

```
// Prefer:
select * from MarketDataWindow

// Don't have a data window if just listening to events, prefer the above
select * from MarketDataWindow#lastevent
```

If your statement specifies unique data window but the filter criteria only allows one unique criteria, consider removing the unique data window:

```
// Prefer:
select * from MarketDataWindow(symbol = 'GE')#lastevent

// Don't have a unique-key data window if your filter specifies a single value
select * from MarketDataWindow(symbol = 'GE')#unique(symbol)
```

24.2.8. End Pattern Sub-Expressions

In patterns, the `every` keyword in conjunction with followed by (`->`) starts a new sub-expression per match.

For example, the following pattern starts a sub-expression looking for a B event for every A event that arrives.

```
every A -> B
```

Determine under what conditions a subexpression should end so the runtime can stop looking for a B event. Here are a few generic examples:

```
every A -> (B and not C)
every A -> B where timer:within(1 sec)
```

24.2.9. Consider Using EventPropertyGetter for Fast Access to Event Properties

The EventPropertyGetter interface is useful for obtaining an event property value without property name table lookup given an EventBean instance that is of the same event type that the property getter was obtained from.

When compiling a statement, the EPStatement instance lets us know the EventType via the getEventType() method. From the EventType you can obtain EventPropertyGetter instances for named event properties.

To demonstrate, consider the following simple statement:

```
select symbol, avg(price) from Market group by symbol
```

After compiling and deploying the module, obtain the EventType and pass the type to the listener:

```
EPStatement stmt = runtime.getDeploymentService().getStatement(deploymentId,
    statementName);
MyGetterUpdateListener listener = new
    MyGetterUpdateListener(stmt.getEventType());
```

The listener can use the type to obtain fast getters for property values of events for the same type:

```
public class MyGetterUpdateListener implements StatementAwareUpdateListener {
    private final EventPropertyGetter symbolGetter;
    private final EventPropertyGetter avgPriceGetter;

    public MyGetterUpdateListener(EventType eventType) {
        symbolGetter = eventType.getGetter("symbol");
        avgPriceGetter = eventType.getGetter("avg(price)");
    }
}
```

Last, the update method can invoke the getters to obtain event property values:

```
public void update(EventBean[] eventBeans, EventBean[] oldBeans, EPStatement
epStatement, EPRuntime runtime) {
    String symbol = (String) symbolGetter.get(eventBeans[0]);
    long volume = (Long) volumeGetter.get(eventBeans[0]);
    // some more logic here
}
```


24.2.10. Consider Casting the Underlying Event

When an application requires the value of most or all event properties, it can often be best to simply select the underlying event via wildcard and cast the received events.

Let's look at the sample statement:

```
select * from MarketData(symbol regexp 'E[a-z]')
```

An update listener to the statement may want to cast the received events to the expected underlying event class:

```
public void update(EventBean[] eventBeans, EventBean[] eventBeans) {
    MarketData md = (MarketData) eventBeans[0].getUnderlying();
    // some more logic here
}
```

24.2.11. Turn Off Logging and Audit

Even if you don't have a log4j configuration file in place, the runtime will make sure to minimize execution path logging overhead. For prior versions, and to reduce logging overhead overall, we recommend the "WARN" log level or the "INFO" log level.

Please see the log4j configuration file in "etc/infoonly_log4j.xml" for example log4j settings.

EPL provides the `@Audit` annotation for statements. For performance testing and production deployment, we recommend removing `@Audit`.

24.2.12. Tune or Disable Delivery Order Guarantees

If your application is not a multithreaded application, or your application is not sensitive to the order of delivery of result events to your application listeners, then consider disabling the delivery order guarantees the runtime makes towards ordered delivery of results to listeners:

```
Configuration config = new Configuration();
config.getRuntime().getThreading().setListenerDispatchPreserveOrder(false);
```

If your application is not a multithreaded application, or your application uses the `insert into` clause to make results of one statement available for further consuming statements but does not require ordered delivery of results from producing statements to consuming statements, you may disable delivery order guarantees between statements:

```
Configuration config = new Configuration();
```

```
config.getRuntime().getThreading().setInsertIntoDispatchPreserveOrder(false);
```

If your application declares only stateless statements then the settings described herein are not relevant.

Additional configuration options are available and described in the configuration section that specify timeout values and spin or thread context switching.

the runtime logging will log the following informational message when guaranteed delivery order to listeners is enabled and spin lock times exceed the default or configured timeout: `Spin wait timeout exceeded in listener dispatch`. The respective message for delivery from insert into statements to consuming statements is `Spin wait timeout exceeded in insert-into dispatch`.

If your application sees messages that spin lock times are exceeded, your application has several options: First, disabling preserve order is an option. Second, ensure your listener does not perform (long-running) blocking operations before returning, for example by performing output event processing in a separate thread. Third, change the timeout value to a larger number to block longer without logging the message.

24.2.13. Use a Subscriber Object to Receive Events

The subscriber object is a technique to receive result data that has performance advantages over the `UpdateListener` interface. Please refer to [Section 16.5.2, “Setting a Subscriber Object”](#).

24.2.14. Consider Data Flows

Data flows offer a high-performance means to execute EPL select statements and use other built-in data flow operators. The data flow `Emitter` operator allows sending underlying event objects directly into a data flow. Thereby the runtime does not need to wrap each underlying event into a `EventBean` instance and the runtime does not need to match events to statements. Instead, the underlying event directly applies to only that data flow instance that your application submits the event to, and no other statements or data flows see the same event.

Data flows are described in [Chapter 21, EPL Reference: Data Flow](#).

24.2.15. High-Arrival-Rate Streams and Single Statements

A context partition is associated with certain context partition state that consists of current aggregation values, partial pattern matches, data windows depending on whether your statement uses such constructs. When an runtime receives events it updates context partition state under locking such that context partition state remains consistent under concurrent multi-threaded access.

For high-volume streams, the locking required to protected context partition state may slow down or introduce blocking for very high arrival rates of events that apply to the very same context partition and its state.

Your first choice should be to utilize a context that allows for multiple context partitions, such as the hash segmented context. The hash segmented context usually performs better compared to the keyed segmented context since in the keyed segmented context the runtime must check whether a partition exists or must be created for a given key.

Your second choice is to split the statement into multiple statements that each perform part of the intended function or that each look for a certain subset of the high-arrival-rate stream. There is very little cost in terms of memory or CPU resources per statement, the runtime can handle larger number of statements usually as efficiently as single statements.

For example, consider the following statement:

```
// less effective in a highly threaded environment
select venue, ccyPair, side, sum(qty)
from CumulativePrice
where side='O'
group by venue, ccyPair, side
```

The runtime protects state of each context partition by a separate lock for each context partition, as discussed in the API section. In highly threaded applications threads may block on a specific context partition. You would therefore want to use multiple context partitions.

Consider creating either a hash segmented context or a keyed segmented context. In the hash segmented context incoming data is simply assigned to one of the buckets using a small computation. In the keyed segmented context the runtime must check keys to see if a partition already exists or whether a new partition must be allocated. We'll discuss both below. For both types of context, since locking is on the level of context partition, the locks taken by the runtime are very fine grained allowing for highly concurrent processing.

This sample EPL declares a hash segmented context. In a hash segmented context the runtime can pre-allocate context partitions and therefore does not need to check whether a partition exists already. In a hash segmented context the runtime simply assigns events to context partitions based on result of a hash function and modulo operation.

```
create context MyContext coalesce by consistent_hash_crc32(venue) from
CumulativePrice(side='O') granularity 16 preallocate
```

This sample EPL declares a keyed segmented context. The keyed segmented context instructs the runtime to employ a context partition per `venue, ccyPair, side` key combination. The runtime must check for each event whether a partition exists for that combination of `venue, ccyPair` and `side`:

```
create context MyContext partition by venue, ccyPair, side from
CumulativePrice(side='O')
```

After declaring the context using `create context`, make sure all your statements, including those statements that create named windows and tables, specify that context. This is done by prefixing each statement with `context context_name`

The new statement that refers to the context as created above is below. Note the `context MyContext` which tells the runtime that this statement executes context partitioned. This must be provided otherwise the statement does not execute context partitioned.

```
context MyContext select venue, ccyPair, side, sum(qty) from CumulativePrice
```

For testing purposes or if your application controls concurrency, you may disable context partition locking, see [Section 17.6.10.3, “Disable Locking”](#).

24.2.16. Subqueries Versus Joins and Where-Clause and Data Windows

When joining streams the runtime builds a product of the joined data windows based on the `where` clause. It analyzes the `where` clause at time of statement compilation and builds the appropriate indexes and query strategy. Avoid using expressions in the join `where` clause that require evaluation, such as user-defined functions or arithmetic expressions.

When joining streams and not providing a `where` clause, consider using the `#unique` data window or `#lastevent` data window to join only the last event or the last event per unique key(s) of each stream.

The sample statement below can produce up to 5,000 rows when both data windows are filled and an event arrives for either stream:

```
// Avoid joins between streams with data windows without where-clause
select * from StreamA#length(100), StreamB#length(50)
```

Consider using a subquery, consider using separate statements with `insert-into` and consider providing a `where` clause to limit the product of rows.

Below examples show different approaches, that are not semantically equivalent, assuming that an `MyEvent` is defined with the properties symbol and value:

```
// Replace the following statement as it may not perform well
```

```

select a.symbol, avg(a.value), avg(b.value)
from MyEvent#length(100) a, MyEvent#length(50) b

// Join with where-clause
select a.symbol, avg(a.value), avg(b.value)
from MyEvent#length(100) a, MyEvent#length(50) b
where a.symbol = b.symbol

// Unidirectional join with where-clause
select a.symbol, avg(b.value)
from MyEvent unidirectional, MyEvent#length(50) b
where a.symbol = b.symbol

// Subquery
select
  (select avg(value) from MyEvent#length(100)) as avgA,
  (select avg(value) from MyEvent#length(50)) as avgB,
  a.symbol
from MyEvent

// Since streams cost almost nothing, use insert-into to populate and a
  unidirectional join
insert into StreamAvgA select symbol, avg(value) as avgA from MyEvent#length(100)
insert into StreamAvgB select symbol, avg(value) as avgB from MyEvent#length(50)
select  a.symbol,    avgA,    avgB    from    StreamAvgA    unidirectional,
  StreamAvgB#unique(symbol) b
where a.symbol = b.symbol

```

A join is multidirectionally evaluated: When an event of any of the streams participating in the join arrive, the join gets evaluated, unless using the unidirectional keyword. Consider using a subquery instead when evaluation only needs to take place when a certain event arrives:

```

// Rewrite this join since you don't need to join when a LoginSucceededWindow
  arrives
// Also rewrite because the account number always is the value 123.
select * from LoginSucceededWindow as l, WithdrawalWindow as w
where w.accountNumber = '123' and w.accountNumber = l.accountNumber

// Rewritten as a subquery,
select *, (select * from LoginSucceededWindow where accountNumber='123')
from WithdrawalWindow(accountNumber='123') as w

```

24.2.17. Patterns and Pattern Sub-Expression Instances

The `every` and `repeat` operators in patterns control the number of sub-expressions that are active. Each sub-expression can consume memory as it may retain, depending on the use of tags in the

pattern, the matching events. A large number of active sub-expressions can reduce performance or lead to out-of-memory errors.

During the design of the pattern statement consider the use of `timer:within` to reduce the amount of time a sub-expression lives, or consider the `not` operator to end a sub-expression.

The examples herein assume an `AEvent` and a `BEvent` event type that have an `id` property that may correlate between arriving events of the two event types.

In the following sample pattern the runtime starts, for each arriving `AEvent`, a new pattern sub-expression looking for a matching `BEvent`. Since the `AEvent` is tagged with `a` the runtime retains each `AEvent` until a match is found for delivery to listeners or subscribers:

```
every a=AEvent -> b=BEvent(b.id = a.id)
```

One way to end a sub-expression is to attach a time how long it may be active.

The next statement ends sub-expressions looking for a matching `BEvent` 10 seconds after arrival of the `AEvent` event that started the sub-expression:

```
every a=AEvent -> (b=BEvent(b.id = a.id) where timer:within(10 sec))
```

A second way to end a sub-expression is to use the `not` operator. You can use the `not` operator together with the `and` operator to end a sub-expression when a certain event arrives.

The next statement ends sub-expressions looking for a matching `BEvent` when, in the order of arrival, the next `BEvent` that arrives after the `AEvent` event that started the sub-expression does not match the `id` of the `AEvent`:

```
every a=AEvent -> (b=BEvent(b.id = a.id) and not BEvent(b.id != a.id))
```

The `every-distinct` operator can be used to keep one sub-expression alive per one or more keys. The next pattern demonstrates an alternative to `every-distinct`. It ends sub-expressions looking for a matching `BEvent` when an `AEvent` arrives that matches the `id` of the `AEvent` that started the sub-expression:

```
every a=AEvent -> (b=BEvent(b.id = a.id) and not AEvent(b.id = a.id))
```

24.2.18. Pattern Sub-Expression Instance Versus Data Window Use

For some use cases you can either specify one or more data windows as the solution, or you can specify a pattern that also solves your use case.

For patterns, you should understand that the runtime employs a dynamic state machine. For data windows, the runtime employs a delta network and collections. Generally you may find patterns that require a large number of sub-expression instances to consume more memory and more CPU than data windows.

For example, consider the following statement that filters out duplicate transaction ids that occur within 20 seconds of each other:

```
select * from TxnEvent#firstunique(transactionId)#time(20 sec)
```

You could also address this solution using a pattern:

```
select * from pattern [every-distinct(a.transactionId) a=TxnEvent where  
timer:within(20 sec)]
```

If you have a fairly large number of different transaction ids to track, you may find the pattern to perform less well than the data window solution as the pattern asks the runtime to manage a pattern sub-expression per transaction id. The data window solution asks the runtime to manage expiry, which can give better performance in many cases.

Similar to this, it is generally preferable to use EPL join syntax over a pattern that cardinally detects relationships i.e. `pattern [every-distinct(...) ... -> every-distinct(...) ...]`. Join query planning is a powerful compiler and runtime feature that implements fast relational joins.

24.2.19. The Keep-All Data Window

The `#keepall` data window is a data window that retains all arriving events. The data window can be useful during the development phase and to implement a custom expiry policy using `on-delete` and named windows. Care should be taken to timely remove from the keep-all data window however. Use `on-select` or fire-and-forget queries to count the number of rows currently held by a named window with keep-all expiry policy.

24.2.20. Statement Design for Reduced Memory Consumption - Diagnosing OutOfMemoryError

This section describes common sources of out-of-memory problems.

If using the keep-all data window please consider the information above. If using pattern statements please consider pattern sub-expression instantiation and lifetime as discussed prior to this section.

When using the `group-by` clause or `#groupwin` grouped data windows please consider the hints as described below. Make sure your grouping criteria are fields that don't have an unlimited number of possible values or specify hints otherwise.

The `#unique` unique data window can also be a source for error. If your uniqueness criteria include a field which is never unique the memory use of the data window can grow, unless your application deletes events.

When using the `every-distinct` pattern construct parameterized by distinct value expressions that generate an unlimited number of distinct values, consider specifying a time period as part of the parameters to indicate to the runtime how long a distinct value should be considered.

In a match-recognize pattern consider limiting the number of optional events if optional events are part of the data reported in the `measures` clause. Also when using the partition clause, if your partitioning criteria include a field which is never unique the memory use of the match-recognize runtime can grow.

A further source of memory use is when your application deploys modules but fails to undeploy modules when they are no longer needed.

In your application design you may also want to be conscious when the application listener or subscriber objects retain output data.

A runtime, uniquely identified by a `runtime URI` is a relatively heavyweight object. Optimally your application allocates less than one-thousand (1000) runtime instances per JVM. A statement instance is associated to one runtime instance, is uniquely identified by a statement name and is a medium weight object. We have seen applications allocate 100,000 statements easily. A statement's context partition instance is associated to one statement, is uniquely identified by a context partition id and is a light weight object. We have seen applications allocate 5000 context partitions for 100 statements easily, i.e. 5,000,000 context partitions. An aggregation row, data window row, pattern etc. is associated to a statement context partition and is a very lightweight object itself.

The `prev`, `prevwindow` and `prevtail` functions access a data window directly. The runtime does not need to maintain a separate data structure and grouping is based on the use of the `#groupwin` grouped data window. Compare this to the use of event aggregation functions such as `first`, `window` and `last` which group according to the `group by` clause. If your statement utilizes both together consider reformulating to use `prev` instead.

24.2.21. Performance, JVM, OS and Hardware

Performance will also depend on your JVM (Sun HotSpot, BEA JRockit, IBM J9), your operating system and your hardware. A JVM performance index such as specJBB at spec.org [http://

www.spec.org] can be used. For memory intensive statement, you may want to consider 64bit architecture that can address more than 2GB or 3GB of memory, although a 64bit JVM usually comes with a slow performance penalty due to more complex pointer address management.

The choice of JVM, OS and hardware depends on a number of factors and therefore a definite suggestion is hard to make. The choice depends on the number of statements, and number of threads. A larger number of threads would benefit of more CPU and cores. If you have very low latency requirements, you should consider getting more GHz per core, and possibly soft real-time JVM to enforce GC determinism at the JVM level, or even consider dedicated hardware such as Azul. If your statements utilize large data windows, more RAM and heap space will be utilized hence you should clearly plan and account for that and possibly consider 64bit architectures or consider [EsperHA](http://www.espertech.com/products/) [http://www.espertech.com/products/].

The number and type of statements is a factor that cannot be generically accounted for. The benchmark kit can help test out some requirements and establish baselines, and for more complex use cases a simulation or proof of concept would certainly works best. EsperTech' experts can be available to help write interfaces in a consulting relationship.

24.2.22. Consider Using Hints

The @Hint annotation provides a single keyword or a comma-separated list of keywords that provide instructions to the compiler and runtime towards statement execution that affect runtime performance and memory-use of statements. Also see [Section 5.2.7.9, “@Hint”](#).

The query planning in general is described in [Section 24.2.31, “Notes on Query Planning”](#).

The hint for influencing query planning expression analysis is described at [Section 24.2.32, “Query Planning Expression Analysis Hints”](#).

The hint for influencing query planning index choice is described at [Section 24.2.33, “Query Planning Index Hints”](#).

Further hints, also related to query planning, for use with joins, outer joins, unidirectional joins, relational and non-relational joins are described in [Section 5.12.6, “Hints Related to Joins”](#).

The hint for use with `group by` to specify how state for groups is reclaimed is described in [Section 5.6.2.1, “Hints Pertaining to Group-By”](#) and [Section 14.3.15, “Grouped Data Window \(groupwin or std:groupwin\)”](#).

The hint for use with `group by` to specify aggregation state reclaim for unbound streams and timestamp groups is described in [Section 5.6.2.1, “Hints Pertaining to Group-By”](#).

The hint for use with `match_recognize` to specify iterate-only is described in [Section 8.4.7, “Eliminating Duplicate Matches”](#).

To tune subquery performance when your subquery selects from a named window, consider the hints discussed in [Section 5.11.8, “Hints Related to Subqueries”](#).

The `@NoLock` hint to remove context partition locking (also read caution note) is described at [Section 16.8, “Runtime Threading and Concurrency”](#).

The hint to control expansion of filter expressions, further described at [Section 17.5.8.1, “Filter Service Max Filter Width”](#).

24.2.23. Optimizing Stream Filter Expressions

Assume your statement invokes a static method in the stream filter as the below statement shows as an example:

```
select * from MyEvent(MyHelperLibrary.filter(field1, field2, field3,
field4*field5))
```

As a result of starting above statement, the runtime must evaluate each `MyEvent` event invoking the `MyHelperLibrary.filter` method and passing certain event properties. The same applies to pattern filters that specify functions to evaluate.

If possible, consider moving some of the checking performed by the function back into the filter or consider splitting the function into a two parts separated by `and` conjunction. In general for all expressions, the runtime evaluates expressions left of the `and` first and can skip evaluation of the further expressions in the conjunction in the case when the first expression returns false. In addition the compiler can determine filter index fields and the runtime can build a filter index for fields provided in stream or pattern filters.

For example, the below statement could be faster to evaluate:

```
select * from MyEvent(field1="value" and
MyHelperLibrary.filter(field1, field2, field3, field4*field5))
```

24.2.24. Statement and Runtime Metric Reporting

You can use statement and runtime metric reporting as described in [Section 16.12, “Runtime and Statement Metrics Reporting”](#) to monitor performance or identify slow statements.

24.2.25. Expression Evaluation Order and Early Exit

The term "early exit" or "short-circuit evaluation" refers to when the runtime can evaluate an expression without a complete evaluation of all sub-expressions.

Consider an expression such as follows:

```
where expr1 and expr2 and expr3
```

If `expr1` is false the runtime does not need to evaluate `expr2` and `expr3`. Therefore when using the `AND` logical operator consider reordering expressions placing the most-selective expression first and less selective expressions thereafter.

The same is true for the `OR` logical operator: If `expr1` is true the runtime does not need to evaluate `expr2` and `expr3`. Therefore when using the `OR` logical operator consider reordering expressions placing the least-selective expression first and more selective expressions thereafter.

The order of expressions (here: `expr1`, `expr2` and `expr3`) does not make a difference for the join and subquery query planner.

Note that the runtime does not guarantee short-circuit evaluation in all cases. The runtime may rewrite the where-clause or filter conditions into another order of evaluation so that it can perform index lookups.

24.2.26. Large Number of Threads

When using a large number of threads with the runtime, such as more than 100 threads, you can provide a setting in the configuration that instructs the runtime to reduce the use of thread-local variables. Please see [Section 17.6.10, “Runtime Settings Related to Execution of Statements”](#) for more information.

24.2.27. Filter Evaluation Tuning

We offer a switch for tuning evaluation of incoming events against filters. Please see [Section 17.6.10, “Runtime Settings Related to Execution of Statements”](#) for more information.

24.2.28. Context Partition Related Information

As the runtime locks on the level of context partition, high concurrency under threading can be achieved by using context partitions.

Generally context partitions require more memory than the more fine-grained grouping that can be achieved by `group by` or `#groupwin`.

24.2.29. Prefer Constant Variables Over Non-Constant Variables

The create-variable syntax as well as the APIs can identify a variable as a constant value. When a variable's value is not intended to change it is best to declare the variable as constant.

For example, consider the following two statements that each declares a variable. The first statement declares a constant variable and the second statement declares a non-constant variable:

```
// declare a constant variable
create constant variable CONST_DEPARTMENT = 'PURCHASING'
```

```
// declare a non-constant variable
create variable VAR_DEPARTMENT = 'SALES'
```

When your application compiles a statement that has filters for events according to variable values, the compiler internally inspects such expressions and performs filter optimizations for constant variables that are more effective in evaluation.

For example, consider the following two statements that each look for events related to persons that belong to a given department:

```
// prefer the constant
select * from PersonEvent(department=CONST_DEPARTMENT)
```

```
// less efficient
select * from PersonEvent(department=VAR_DEPARTMENT)
```

The runtime can more efficiently evaluate the expression using a variable declared as constant. The same observation can be made for subquery and join query planning.

24.2.30. Prefer Object-Array Events

Object-array events offer the best read access performance for access to event property values. In addition, object-array events use much less memory than Map-type events. They also offer the best write access performance.

A comparison of different event representations is in [Section 3.5, “Comparing Event Representations”](#).

First, we recommend that your application sends object-array events into the runtime, instead of Map-type events. See [Appendix F, Event Representation: Object-Array \(Object\[\]\) Events](#) for more information.

Second, we recommend that your application sets the compiler configuration of the default event representation to object array, as described in [Section 17.4.9.1, “Default Event Representation”](#). Alternatively you can use the `@EventRepresentation(objectarray)` annotation with individual statements.

24.2.31. Notes on Query Planning

Query planning takes place for subqueries, joins (any type), named window and table on-actions (on-select, on-merge, on-insert, on-update, on-select) and fire-and-forget queries. Query planning affects query execution speed. Enable query plan logging to output query plan information.

For query planning, the compiler draws information from:

1. The `where`-clauses, if any are specified. `Where`-clauses correlate streams, patterns, named windows, tables etc. with more streams, patterns, tables and named windows and are thus the main source of information for query planning.
2. The data window(s) declared on streams and named windows. The `#unique` and the `#firstunique` data window instruct the compiler to retain the last event per unique criteria.
3. For named windows and tables, the explicit indexes created via `create unique index` or `create index`.
4. For named windows (and not tables), the previously created implicit indexes. The compiler can plan to create implicit indexes automatically if explicit indexes do not match correlation requirements.
5. Any hints specified for the statement in question and including hints specified during the creation of named windows with `create window`.

The compiler prefers unique indexes over non-unique indexes.

The compiler prefers hash-based lookups (equals) and combination hash-btree lookups (equals and relational-operator or range) over btree lookups (relational-operator or range) over in-keyword (single and multi-index) lookup plans. This behavior can be controlled by hints that are discussed next.

24.2.32. Query Planning Expression Analysis Hints

The expression analysis hints impact query planning for any statement and fire-and-forget query that performs a join or subquery. They also impact named window and table on-action statements.

This hint instructs the compiler which expressions, operators or streams should be excluded and therefore not considered for query planning. The hint applies to the `where`-clause and, for outer joins, to the `on`-clause when present.

The hint takes a single expression as its sole parameter, which is placed in parenthesis. The expression must return a boolean value.

When the provided expression returns true for a given combination, that combination will not be considered for the query plan. A combination consists of a from-stream (name or number), a to-stream (name or number), an operator (i.e. equals, relational, in-keyword) and a set of expressions.

Table 24.1. Built-In Properties of the Expression Analysis Hint

Name	Type	Description
<code>exprs</code>	string-array (<code>String[]</code>)	Expression texts with minified whitespace.

Name	Type	Description
from_streamname	string	The stream name of the stream providing lookup values as provided by the <code>as</code> keyword.
from_streamnum	int	The integer ordinal number of the stream providing lookup values as listed in the from-clause.
opname	string	The operator name. Valid values are <code>equals</code> , <code>relop</code> (relational operators and ranges) and <code>inkw</code> (in-keyword).
to_streamname	string	The stream name of the stream providing indexable values as provided by the <code>as</code> keyword.
to_streamnum	int	The integer ordinal number of the stream providing indexable values as listed in the from-clause.

Consider two event types A and B. Event type A has a property `aprop` and event type B has a property `bprop`. Let's assume A and B are related by `aprop` and `bprop`.

An inner join of all A and B events might look like this:

```
select * from A#keepall as a, B#keepall as b where apro = bprop
```

In the default query plan, when an A event comes in, the runtime obtains the value of `aprop` and performs an index lookup against `bprop` values to obtain matching B events. Vice versa, when a B event comes in, the runtime obtains the value of `bprop` and performs an index lookup against `aprop` values to obtain matching A events.

The compiler evaluates the hint expression for each combination. The table below outlines the two rows provided to the hint expression:

Table 24.2. Built-In Properties of the Expression Analysis Hint

exprs	from_stream	from_stream	opname	to_streamnum	to_streamnum
["aprop", "bprop"]	a	0	equals	b	1
["bprop", "aprop"]	b	1	equals	a	0

The following statement with hint causes the analyzer to exclude all combinations since the expression passed in always returns true, in effect causing the query planner to always execute the statement as a full table scan.

```
@hint('exclude_plan(true)')
select * from A#keepall as a, B#keepall as b where apro = bprop
```

This hint instructs the compiler to ignore all equals-operators for query planning:

```
@hint('exclude_plan(opname="equals")') select ....
```

The next hint instructs the compiler to ignore the equals-operator for the direction of lookup from A to B:

```
@hint('exclude_plan(opname="equals" and from_streamname="a")') select ....
```

Conversely, this hint instructs the compiler to ignore the equals-operator for the direction of lookup from B to A:

```
@hint('exclude_plan(opname="equals" and from_streamname="b")') select ....
```

Use the `exprs` array of expression texts to exclude specific expressions:

```
@hint('exclude_plan(exprs[0]="aprof")') select ....
```

For subqueries the stream number zero is the subquery from-clause itself and 1 to N are the enclosing statement's from-clause streams. For named window and table on-action statements the stream number zero is the named window or table and stream number 1 refers to the triggering pattern or event.

To specify multiple expressions, please specify multiple hints. The compiler excludes a specific combination when any of the hint expressions returns true.

To inspect values passed to the hint expression, please enable query plan logging. To inspect expression evaluation, please use `@Audit`.

24.2.33. Query Planning Index Hints

Currently index hints are only supported for the following types of statements:

1. Named window and table on-action statements (on-select, on-merge, on-insert, on-update, on-select).
2. Statements that have subselects against named windows that have index sharing enabled (the default is disabled).
3. Statements that have subselects against tables.
4. Fire-and-forget queries.

For the above statements, you may dictate to the compiler which explicit index (created via `create index` syntax) to use.

Specify the name of the explicit index in parentheses following `@Hint` and the `index` literal.

The following example instructs the compiler to use the `UserProfileIndex` if possible:

```
@Hint('index(UserProfileIndex)')
```

Add the literal `bust` to instruct the compiler to use the index, or if the compiler cannot use the index fail query planning with an exception and therefore fail statement compilation.

The following example instructs the compiler to use the `UserProfileIndex` if possible or fail with an exception if the index cannot be used:

```
@Hint('index(UserProfileIndex, bust)')
```

Multiple indexes can be listed separated by comma (,).

The next example instructs the compiler to consider the `UserProfileIndex` and the `SessionIndex` or fail with an exception if either index cannot be used:

```
@Hint('index(UserProfileIndex, SessionIndex, bust)')
```

The literal `explicit` can be added to instruct the compiler to use only explicitly created indexes.

The final example instructs the compiler to consider any explicitly create index or fail with an exception if any of the explicitly created indexes cannot be used:

```
@Hint('index(explicit, bust)')
```

24.2.34. Measuring Throughput

We recommend using `System.nanoTime()` to measure elapsed time when processing a batch of, for example, 1000 events.

Note that `System.nanoTime()` provides nanosecond precision, but not necessarily nanosecond resolution.

Therefore don't try to measure the time spent by the runtime processing a single event: The resolution of `System.nanoTime()` is not sufficient. Also, there are reports that `System.nanoTime()` can be actually go "backwards" and may not always behave as expected under threading. Please check your JVM platform documentation.

In the default configuration, the best way to measure performance is to take nano time, send a large number of events, for example 10.000 events, and take nano time again reporting on the difference between the two numbers.

If your configuration has inbound threading or other threading options set, you should either monitor the queue depth to determine performance, or disable threading options when measuring performance, or have your application use multiple threads to send events instead.

24.2.35. Do Not Create the Same or Similar Statement X Times

It is vastly more efficient to create a statement once and attach multiple listeners, then to create the same statement X times.

It is vastly more efficient to use context declarations to factor out commonalities between statements then creating X similar statements.

EPL, the compiler and runtime are optimized for low-latency and high-throughput execution. In order to accomplish that the compiler analyzes and query-plans. Certain information within each statement can effectively shared in the runtime (indexes) so that the runtime can remove duplication of processing and thus the runtime can achieve low-latency and high-throughput. The tradeoff is that the compiler must, for each statement, perform some upfront analysis.

Since your goal will be to make all test code as realistic, real-world and production-like as possible, we recommend against production code or test code deploying the same exact statement multiple times. Instead consider creating the same statement once and attaching multiple listeners. The compiler and runtime do not try to detect duplicate statements, since that can easily be done by your application.

Let's assume your test statement computes an aggregation over a 1-minute time window, for example `select symbol, count(*) from StockTick#time(1 min) group by symbol`. If your code creates the same statement 100 times the code instructs the runtime to track 100 logically independent time windows and to track aggregations for each group 100 times. Obviously, this is not a good use of EPL and the design of your statements and code may not be optimal.

Consider the world of relational databases. Your code could attach to a relational database, create the same table with a different name 100 times, and populate each of the 100 different tables with the same row data. A relational database administrator would probably recommend against creating 100 identical tables holding the same row data. Compare a statement to a relational database table in respect to how many there should be. In a good design there are limited number of statements. The runtime is not specifically designed for very large number of statements. Similarly a relational database schema design that has 100,000 tables would be something one would seriously question. It depends on the statement itself in respect to how many statements fit into memory and there is no general guideline.

EPL allows you the freedom to design your EPL in a way that reuses state and processing. For example, your EPL design could utilize a named window instead of allocating 100 independent time window. Since named windows are shared, the runtime only needs to track one time window

instead of 100. And your EPL design could use an EPL table to maintain aggregations once and in a central place, so that tracking counts per symbol is done once instead of 100 times.

Context declarations can be an efficient way to take commonalities between statements (things that are similar between multiple statements) and factor them out into a context declaration. Instead of creating X similar statements, declare a context and attach one statement to the context, thus having X context partitions. This eliminates compiling and/or deploying X same statements. Using context the compiler only needs to analyze the context declaration and the statement. Your application can send start and stop events to control which context partitions exist and what events each context partition analyzes. Use the context partition administrative API to browse or terminate context partitions.

For example, assume you need to create 100000 similar statements that all filter `GeoEvent` events:

```
create schema GeoEvent(id string, value int, marker string)
```

```
@name('statement-1) select * from GeoEvent(id = '0001', value between 10 and 20,
marker in ('a', 'b'))
```

```
@name('statement-N) select * from GeoEvent(id = '0002', value between 20 and 30,
marker in ('c', 'd'))
```

If your application compiles and deploys 100k statements as above, the compiler must analyze and query plan each statement separately, and the runtime must enter each set of filter criteria into a shared filter index tree. Remember that the runtime can process incoming events very fast, with low latency and high throughput, even for 100k statements. However compiling and deploying 100k individual statements does take CPU time.

In this example, the statements have similar filters: `id = an_id`, `value between start_range and end_range` and `marker in (markers)`. You could say that statements are similar and look like:

```
select * from GeoEvent(id=an_id, value between start_range and end_range, marker
in (markers))
```

The *an_id*, *start_range*, *end_range* and *markers* are essential parameters to an instance of the filtering statement. Instances of statements are context partitions. Declare a context to refactor and change our design so the common filters are in one place. This approach just requires two statements: the context declaration and the statement with the filters. You may declare two event types: one to allocate new context partitions and one to terminate context partitions.

Start by creating an event type that controls which instances of the filtering statement (the context partitions) are active:

```
create schema InitEvent(id string, startRange int, endRange int, markers
string[])
```

Next, create an event type that controls when a context partition terminates:

```
create schema TermEvent(id string)
```

The context declaration tells the runtime that when an `InitEvent` arrives you want have a new instance that is parameterized by the `InitEvent` properties:

```
create context GeoEventFilterContext
  initiated by InitEvent as initevent
  terminated by by TermEvent(id=initevent.id)
```

Define the statement that filters:

```
context GeoEventFilterContext select * from GeoEvent(id = context.initevent.id,
value between context.initevent.startRange and context.initevent.endRange,
marker in (context.initevent.markers))
```

Your application can now send `InitEvent` instances, for example (notation from the online EPL tool):

```
InitEvent={id='0001', startRange=10, endRange=20, markers={'a', 'b'}}
InitEvent={id='0002', startRange=20, endRange=30, markers={'c', 'd'}}
```

When the runtime receives an `InitEvent` instance, it can simply take the `id`, `startRange`, `endRange` and `markers` values and instantiate the EPL filter statement (aka. allocate a new context partition) and start looking for matching `GeoEvent` events.

To stop looking for a given id, send a `TermEvent`, like so:

```
TermEvent={id='0001'}
```

24.2.36. Comparing Single-Threaded and Multi-Threaded Performance

The Java Virtual Machine optimizes locks such that the time to obtain a read lock, for example, differs widely between single-threaded and multi-threaded applications. We compared code that obtains an unfair `ReentrantReadWriteLock` read lock 100 million times, without any writer. We measured 3 seconds for a single-threaded application and 15 seconds for an application with 2 threads. It can therefore not be expected that scaling from single-threaded to 2 threads will always double performance. There is a base cost for multiple threads to coordinate.

24.2.37. Incremental Versus Recomputed Aggregation for Named Window Events

Whether aggregations of named window rows are computed incrementally or are recomputed from scratch depends on the type of statement.

When the runtime computes aggregation values incrementally, meaning it continuously updates the aggregation value as events enter and leave a named window, it means that the runtime internally subscribes to named window updates and applies these updates as they occur. For some applications this is the desired behavior.

For some applications re-computing aggregation values from scratch when a certain condition occurs, for example when a triggering event arrives or time passes, is beneficial. Re-computing an aggregation can be less expensive if the number of rows to consider is small and/or when the triggering event or time condition triggers infrequently.

The next paragraph assumes that a named window has been created to hold some historical financial data per symbol and minute:

```
create window HistoricalWindow#keepall as (symbol string, int minute, double price)
```

```
insert into HistoricalWindow select symbol, minute, price from HistoricalTick
```

For statements that simply select from a named window (excludes on-select) the runtime computes aggregation values incrementally, continuously updating the aggregation, as events enter and leave the named window.

For example, the below statement updates the total price incrementally as events enter and leave the named window. If events in the named window already exist at the time the statement gets created, the total price gets pre-computed once when the statement gets created and incrementally updated when events enter and leave the named window:

```
select sum(price) from HistoricalWindow(symbol='GE')
```

The same is true for uncorrelated subqueries. For statements that sub-select from a named window, the runtime computes aggregation values incrementally, continuously updating the aggregation, as events enter and leave the named window. This is only true for uncorrelated subqueries that don't have a where-clause.

For example, the below statement updates the total price incrementally as events enter and leave the named window. If events in the named window already exist at the time the statement gets created, the total price gets pre-computed once when the statement gets created and incrementally updated when events enter and leave the named window:

```
// Output GE symbol total price, incrementally computed
// Outputs every 15 minutes on the hour.
select (sum(price) from HistoricalWindow(symbol='GE'))
from pattern [every timer:at(0, 15, 30, 45), *, *, *, *, 0]
```

If instead your application uses `on-select` or a correlated subquery, the runtime recomputes aggregation values from scratch every time the triggering event fires.

For example, the below statement does not incrementally compute the total price (use a plain select or subselect as above instead). Instead the runtime computes the total price from scratch based on the where-clause and matching rows:

```
// Output GE symbol total price (recomputed from scratch) every 15 minutes on
the hour
on pattern [every timer:at(0, 15, 30, 45), *, *, *, *, 0]]
select sum(price) from HistoricalWindow where symbol='GE'
```

Unidirectional joins against named windows also do not incrementally compute aggregation values.

Joins and outer joins, that are not unidirectional, compute aggregation values incrementally.

24.2.38. When Does Memory Get Released

Java Virtual Machines (JVMs) release memory only when a garbage collection occurs. Depending on your JVM settings a garbage collection can occur frequently or infrequently and may consider all or only parts of heap memory.

The runtime is optimized towards latency and throughput. The runtime does not force garbage collection or interfere with garbage collection. For performance-sensitive code areas, the runtime utilizes thread-local buffers such as arrays or ringbuffers that can retain small amounts of recently

processed state. The runtime does not try to clean such buffers after every event for performance reasons. It does clean such buffers when destroying the runtime and undeploying. It is therefore normal to see a small non-increasing amount of memory to be retained after processing events that the garbage collector may not free immediately.

24.2.39. Measure Throughput of Non-Matches as Well as Watches

When an event comes in and the event does not match any statement, the runtime can discard that event since the event is a non-match. When measuring throughput, we suggest including non-matching events. The fact that the runtime can discard non-matching events extremely fast is an important aspect of processing.

Many use cases look for a needle-in-a-haystack situation or rarely occurring pattern. For example, a use case looking for security breaches may analyze 10 million events and find only a single situation consisting, for example, of 5 correlated events of the 10 million input events. We'd recommend your benchmark to closely mimic or to play back production data and watch the expected ratio of input and output events. Reducing the number of output events generally increases performance.

For example, assume you have 10 statements:

```
select * from pattern[A -> B(id = 1)];
select * from pattern[A -> B(id = 2)];
.....
select * from pattern[A -> B(id = 10)];
```

The above patterns each match once when an A event comes in followed by a B event with a given id between 1 and 10.

We recommend to measure throughput by sending in B events that have a value of minus one (-1) for id, for example, to determine how fast such events are discarded.

24.2.40. Options for When an Event Type has a Large Number of Event Properties i.e. Large Events

We would consider an event type that has more than 1000 event properties to be an event type with a large number of properties. Here are some of the available options for handling large events (not in order of preference, this is just a list):

- One can design the EPL so that only those event properties that matter for the specific use case are retained and the Esper runtime can thus garbage collect the original event and retain only the few event properties that the specific use case needs. For example using `insert into ReducedEvent select a,b from LargeEvent and select ... from ReducedEvent....`

- One can design the EPL so that there is no need for the runtime to hold on to the large event objects themselves. This documentation and the FAQ page describe in detail when the runtime does and does not retain events.
- Use EsperHA since EsperHA has the ability to remove state from memory and swap it back into memory when needed.
- The JVM in general needs more memory for objects like strings or arrays. Making sure that event properties have the smallest memory footprint can help, i.e. a primitive integer uses less memory than a string.
- Instead of keeping all event properties on the event, reduce the event properties to only those properties that matter. The application code could lazy-fetch the remaining properties from an external source when they are needed.
- Event properties could be stored binary-encoded which also uses less memory (use an external library or write your own binary encoding; Esper does not provide a binary encoding). The application code could for instance provide "getter"-methods that query the encoded data.

24.3. Using the Performance Kit

24.3.1. How to Use the Performance Kit

The benchmark application is basically an event server build with the runtime that listens to remote clients over TCP. Remote clients send MarketData(ticker, price, volume) streams to the event server. The event server is started with 1000 statements of one single kind (unless otherwise written), with one statement per ticker symbol, unless the statement kind does not depend on the symbol. The statement prototype is provided along the results with a '\$' instead of the actual ticker symbol value. The event server is entirely multithreaded and can leverage the full power of 32bit or 64bit underlying hardware multi-processor multi-core architecture.

The kit also prints out when starting up the event size and the theoretical maximal throughput you can get on a 100 Mbit/s and 1 Gbit/s network. Keep in mind a 100 Mbit/s network will be overloaded at about 400 000 event/s when using our kit despite the small size of events.

Results are posted on our Wiki page at [Performance Wiki](http://www.espertech.com/esper) [http://www.espertech.com/esper]. Reported results do not represent best ever obtained results. Reported results may help you better compare Esper to other solutions (for latency, throughput and CPU utilization) and also assess your target hardware and JVMs.

The event server, client and statement prototypes are provided in the source repository `esper/trunk/examples/benchmark/`. Refer to <http://www.espertech.com/esper> for source access.

If you use the kit you should:

1. Choose the statement you want to benchmark, add it to `etc/statements.properties` under your own KEY and use the `-mode KEY` when you start the event server.

2. Prepare your `runServer.sh/runServer.cmd` and `runClient.sh/runclient.cmd` scripts. You'll need to drop required jar libraries in `lib/`, make sure the classpath is configured in those script to include `build` and `etc`. The required libraries are Esper (any compatible version, we have tested started with Esper 1.7.0) and its dependencies. Note that `./etc` and `./build` have to be in the classpath. At that stage you should also start to set min and max JVM heap. A good start is 1GB as in `-Xms1g -Xmx1g`
3. Write the statement you want to benchmark given that client will send a stream `MarketData(String ticker, int volume, double price)`, add it to `etc/statements.properties` under your own KEY and use the `-mode KEY` when you start the event server. Use '\$' in the statement to create a prototype. For every symbol, a statement will get registered with all '\$' replaced by the actual symbol value (f.e. 'GOOG')
4. Ensure client and server are using the same `-Desper.benchmark.symbol=1000` value. This sets the number of symbol to use (thus may set the number of statement if you are using a statement prototype, and governs how `MarketData` event are represented over the network. Basically all events will have the same size over the network to ensure predictability and will be ranging between `S0AA` and `S999A` if you use 1000 as a value here (prefix with S and padded with A up to a fixed length string. Volume and price attributes will be randomized.
5. By default the benchmark registers a subscriber to the statement(s). Use `-Desper.benchmark.ul` to use an `UpdateListener` instead. Note that the subscriber contains suitable `update(..)` methods for the default proposed statement in the `etc/statements.properties` file but might not be suitable if you change statements due to the strong binding with statement results. Refer to [Table 16.2, "Choices For Receiving Statement Results"](#).
6. Establish a performance baseline in simulation mode (without clients). Use the `-rate 1x5000` option to simulate one client (one thread) sending 5000 evt/s. You can ramp up both the number of client simulated thread and their emission rate to maximize CPU utilization. The right number should mimic the client emission rate you will use in the client/server benchmark and should thus be consistent with what your client machine and network will be able to send. On small hardware, having a lot of thread with slow rate will not help getting high throughput in this simulation mode.
7. Do performance runs with client/server mode. Remove the `-rate NxM` option from the `runServer` script or Ant task. Start the server with `-help` to display the possible server options (listen port, statistics, fan out options etc). On the remote machine, start one or more client. Use `-help` to display the possible client options (remote port, host, emission rate). The client will output the actual number of event it is sending to the server. If the server gets overloaded (or if you turned on `-queue` options on the server) the client will likely not be able to reach its target rate.

Usually you will get better performance by using server side `-queue -1` option so as to have each client connection handled by a single thread pipeline. If you change to 0 or more, there will be intermediate structures to pass the event stream in an asynchronous fashion. This will increase context switching, although if you are using many clients, or are using the `-sleep xxx` (xxx in milliseconds) to simulate a listener delay you may get better performance.

The most important server side option is `-stat xxx` (xxx in seconds) to print out throughput and latency statistics aggregated over the last xxx seconds (and reset every time). It will produce both internal latency (in nanosecond) and also end to end latency (in millisecond, including network time). If you are measuring end to end latency you should make sure your server and client machine(s) are having the same time with f.e. ntpd with a good enough precision. The stat format is like:

```

---Stats - runtime (unit: ns)
  Avg: 2528 #4101107
    0 < 5000: 97.01% 97.01% #3978672
    5000 < 10000: 2.60% 99.62% #106669
    10000 < 15000: 0.35% 99.97% #14337
    15000 < 20000: 0.02% 99.99% #971
    20000 < 25000: 0.00% 99.99% #177
    25000 < 50000: 0.00% 100.00% #89
    50000 < 100000: 0.00% 100.00% #41
    100000 < 500000: 0.00% 100.00% #120
    500000 < 1000000: 0.00% 100.00% #2
    1000000 < 2500000: 0.00% 100.00% #7
    2500000 < 5000000: 0.00% 100.00% #5
    5000000 < more: 0.00% 100.00% #18
---Stats - endToEnd (unit: ms)
  Avg: -2704829444341073400 #4101609
    0 < 1: 75.01% 75.01% #3076609
    1 < 5: 0.00% 75.01% #0
    5 < 10: 0.00% 75.01% #0
    10 < 50: 0.00% 75.01% #0
    50 < 100: 0.00% 75.01% #0
    100 < 250: 0.00% 75.01% #0
    250 < 500: 0.00% 75.01% #0
    500 < 1000: 0.00% 75.01% #0
    1000 < more: 24.99% 100.00% #1025000
Throughput 412503 (active 0 pending 0 cnx 4)

```

This one reads as:

"Throughput is 412 503 event/s with 4 client connected. No `-queue` options was used thus no event is pending at the time the statistics are printed. latency average is at 2528 ns (that is 2.5 us) for 4 101 107 events (which means we have 10 seconds stats here). Less than 10us latency was achieved for 106 669 events that is 99.62%. Latency between 5us and 10us was achieved for those 2.60% of all the events in the interval."

"End to end latency was ... in this case likely due to client clock difference

we ended up with unusable end to end statistics."

Consider the second output paragraph on end-to-end latency:

```
---Stats - endToEnd (unit: ms)
  Avg: 15 #863396
    0 <    1:  0.75%  0.75% #6434
    1 <    5:  0.99%  1.74% #8552
    5 <   10:  2.12%  3.85% #18269
   10 <   50: 91.27% 95.13% #788062
   50 <  100:  0.10% 95.32% #827
  100 <  250:  4.36% 99.58% #37634
  250 <  500:  0.42% 100.00% #3618
  500 < 1000:  0.00% 100.00% #0
 1000 < more:  0.00% 100.00% #0
```

This would read:

"End to end latency average is at 15 milliseconds for the 863 396 events considered for this statistic report. 95.13% ie 788 062 events were handled (end to end) below 50ms, and 91.27% were handled between 10ms and 50ms."

Chapter 25. References

25.1. Reference List

- Luckham, David. 2002. *The Power of Events*. Addison-Wesley.
- The Stanford Rapide (TM) Project. <http://pavg.stanford.edu/rapide>.
- Arasu, Arvind, et.al.. 2004. Linear Road: A Stream Data Management Benchmark, Stanford University http://www.cs.brown.edu/research/aurora/Linear_Road_Benchmark_Homepage.html.

Appendix A. Output Reference and Samples

This section specifies the output of a subset of statements, for two purposes: First, to help application developers understand streaming runtime output in response to incoming events and in response to time passing. Second, to document and standardize output for statements in a testable and trackable fashion.

The section focuses on a subset of features, namely the time window, aggregation, grouping, and output rate limiting. The section does not currently provide examples for many of the other language features, thus there is no example for other data windows (the time window is used here), joins, sub-selects or named windows etc.

Rather than just describe syntax and output, this section provides detailed examples for each of the types of statements presented. The input for each type of statement is always the same set of events, and the same timing. Each event has three properties: symbol, volume and price. The property types are string, long and double, respectively.

The chapters are organized by the type of statement: The presence or absence of aggregation functions, as well as the presence or absence of a `group by` clause change statement output as described in [Section 2.15, “Basic Aggregated Statement Types”](#).

You will notice that some statements utilize the `order by` clause for sorting output. The reason is that when multiple output rows are produced at once, the output can be easier to read if it is sorted.

With output rate limiting, the runtime invokes your listener even if there are no results to indicate when the output condition has been reached. Such is indicated as `(empty result)` in the output result columns.

The output columns show both insert and remove stream events. Insert stream events are delivered as an array of `EventBean` instances to listeners in the `newData` parameter, while remove stream events are delivered to the `oldData` parameter of listeners. Delivery to observers follows similar rules.

A.1. Introduction and Sample Data

For the purpose of illustration and documentation, the example data set demonstrates input and remove streams based on a time window of a 5.5 second interval. The statement utilizing the time window could look as follows:

```
select symbol, volume, price from MarketData#time(5.5 sec)
```

We have picked a time window to demonstrate the output for events entering and leaving a data window with an expiration policy. The time window provides a simple expiration policy based on

Appendix A. Output Reference ...

time: if an event resides in the time window more then 5.5 seconds, the runtime expires the event from the time window.

The input events and their timing are below. The table should be read, starting from top, as "The time starts at 0.2 seconds. Event E1 arrives at 0.2 seconds with properties [S1, 100, 25]. At 0.8 second event E2 arrives with properties [S2, 5000, 9.0]" and so on.

Input				
Time	Symbol	Volume	Price	
0.2				
	S1	100	25.0	Event E1 arrives
0.8				
	S2	5000	9.0	Event E2 arrives
1.0				
1.2				
1.5				
	S1	150	24.0	Event E3 arrives
	S3	10000	1.0	Event E4 arrives
2.0				
2.1				
	S1	155	26.0	Event E5 arrives
2.2				
2.5				
3.0				
3.2				
3.5				
	S3	11000	2.0	Event E6 arrives
4.0				
4.2				
4.3				
	S1	150	22.0	Event E7 arrives
4.9				
	S3	11500	3.0	Event E8 arrives
5.0				
5.2				
5.7				Event E1 leaves the time window
5.9				
	S3	10500	1.0	Event E9 arrives
6.0				
6.2				
6.3				Event E2 leaves the time window
7.0				Event E3 and E4 leave the time window
7.2				

The event data set assumes a time window of 5.5 seconds. Thus at time 5.7 seconds the first arriving event (E1) leaves the time window.

The data set as above shows times between 0.2 seconds and 7.2 seconds. Only a couple of time points have been picked for the table to keep the set of time points constant between statements, and thus make the test data and output easier to understand.

A.2. Output for Un-Aggregated and Un-Grouped Statements

This chapter provides sample output for statements that do not have aggregation functions and do not have a `group by` clause.

A.2.1. No Output Rate Limiting

Without an `output` clause, the runtime dispatches to listeners as soon as events arrive, or as soon as time passes such that events leave data windows.

The statement for this sample reads:

```
select irstream symbol, volume, price from MarketData#time(5.5 sec)
```

The output is as follows:

Input				Output	
Time	Symbol	Volume	Price	Insert Stream	Remove Stream
0.2	IBM	100	25.0	Event E1 arrives	[IBM, 100, 25.0]
0.8	MSFT	5000	9.0	Event E2 arrives	[MSFT, 5000, 9.0]
1.0					
1.2					
1.5	IBM	150	24.0	Event E3 arrives	[IBM, 150, 24.0]
	YAH	10000	1.0	Event E4 arrives	[YAH, 10000, 1.0]
2.0					
2.1	IBM	155	26.0	Event E5 arrives	

```

                                                    [IBM, 155, 26.0]
2.2
2.5
3.0
3.2
3.5
    YAH    11000    2.0    Event E6 arrives
                                [YAH, 11000, 2.0]
4.0
4.2
4.3
    IBM     150    22.0    Event E7 arrives
                                [IBM, 150, 22.0]
4.9
    YAH    11500    3.0    Event E8 arrives
                                [YAH, 11500, 3.0]
5.0
5.2
5.7
                                Event E1 leaves the time window
                                                [IBM, 100, 25.0]
5.9
    YAH    10500    1.0    Event E9 arrives
                                [YAH, 10500, 1.0]
6.0
6.2
6.3
                                Event E2 leaves the time window
                                                [MSFT, 5000, 9.0]
7.0
                                Event E3 and E4 leave the time window
                                                [IBM, 150, 24.0]
                                                [YAH, 10000, 1.0]
7.2

```

A.2.2. Output Rate Limiting - Default

With an `output` clause, the runtime dispatches to listeners when the output condition occurs. Here, the output condition is a 1-second time interval. The runtime thus outputs every 1 second, starting from the first event, even if there are no new events or no expiring events to output.

The default (no keyword) and the `ALL` keyword result in the same output.

The statement for this sample reads:

```

select irstream symbol, volume, price from MarketData#time(5.5 sec)
output every 1 seconds

```

The output is as follows:

Input				Output	
				Insert Stream	Remove Stream

Time	Symbol	Volume	Price		
0.2	IBM	100	25.0	Event E1 arrives	
0.8	MSFT	5000	9.0	Event E2 arrives	
1.0					
1.2				[IBM, 100, 25.0]	
				[MSFT, 5000, 9.0]	
1.5	IBM	150	24.0	Event E3 arrives	
	YAH	10000	1.0	Event E4 arrives	
2.0					
2.1	IBM	155	26.0	Event E5 arrives	
2.2				[IBM, 150, 24.0]	
				[YAH, 10000, 1.0]	
				[IBM, 155, 26.0]	
2.5					
3.0					
3.2				(empty result)	(empty result)
3.5	YAH	11000	2.0	Event E6 arrives	
4.0					
4.2				[YAH, 11000, 2.0]	
4.3	IBM	150	22.0	Event E7 arrives	
4.9	YAH	11500	3.0	Event E8 arrives	
5.0					
5.2				[IBM, 150, 22.0]	
				[YAH, 11500, 3.0]	
5.7				Event E1 leaves the time window	
5.9	YAH	10500	1.0	Event E9 arrives	
6.0					
6.2				[YAH, 10500, 1.0]	[IBM, 100, 25.0]
6.3				Event E2 leaves the time window	
7.0				Event E3 and E4 leave the time window	

7.2

```
[MSFT, 5000, 9.0]
[IBM, 150, 24.0]
[YAH, 10000, 1.0]
```

A.2.3. Output Rate Limiting - Last

Using the `LAST` keyword in the `output` clause, the runtime dispatches to listeners only the last event of each insert and remove stream.

The statement for this sample reads:

```
select irstream symbol, volume, price from MarketData#time(5.5 sec)
output last every 1 seconds
```

The output is as follows:

Input				Output	
				Insert Stream	Remove Stream

Time	Symbol	Volume	Price		
0.2					
	IBM	100	25.0	Event E1 arrives	
0.8					
	MSFT	5000	9.0	Event E2 arrives	
1.0					
1.2					[MSFT, 5000, 9.0]
1.5					
	IBM	150	24.0	Event E3 arrives	
	YAH	10000	1.0	Event E4 arrives	
2.0					
2.1					
	IBM	155	26.0	Event E5 arrives	
2.2					[IBM, 155, 26.0]
2.5					
3.0					
3.2					
				(empty result)	(empty result)
3.5					
	YAH	11000	2.0	Event E6 arrives	
4.0					
4.2					[YAH, 11000, 2.0]

```

4.3      IBM      150      22.0    Event E7 arrives
4.9      YAH      11500     3.0     Event E8 arrives
5.0
5.2
                    [YAH, 11500, 3.0]
5.7      Event E1 leaves the time window
5.9      YAH      10500     1.0     Event E9 arrives
6.0
6.2
                    [YAH, 10500, 1.0] [IBM, 100, 25.0]
6.3      Event E2 leaves the time window
7.0      Event E3 and E4 leave the time window
7.2
                                                [YAH, 10000, 1.0]

```

A.2.4. Output Rate Limiting - First

Using the `FIRST` keyword in the `output` clause, the runtime dispatches to listeners only the first event of each insert or remove stream, and does not output further events until the output condition is reached.

The statement for this sample reads:

```

select irstream symbol, volume, price from MarketData#time(5.5 sec)
output first every 1 seconds

```

The output is as follows:

Input				Output	
Time	Symbol	Volume	Price	Insert Stream	Remove Stream
0.2	IBM	100	25.0	Event E1 arrives	[IBM, 100, 25.0]
0.8	MSFT	5000	9.0	Event E2 arrives	
1.5	IBM	150	24.0	Event E3 arrives	[IBM, 150, 24.0]

```

    YAH  10000  1.0  Event E4 arrives
2.0
2.1
    IBM   155   26.0  Event E5 arrives
2.2
2.5
3.0
3.2
3.5
    YAH  11000  2.0  Event E6 arrives
                        [YAH, 11000, 2.0]
4.0
4.2
4.3
    IBM   150   22.0  Event E7 arrives
                        [IBM, 150, 22.0]
4.9
    YAH  11500  3.0  Event E8 arrives
5.0
5.2
5.7
                        Event E1 leaves the time window
                        [IBM, 100, 25.0]
5.9
    YAH  10500  1.0  Event E9 arrives
6.0
6.2
6.3
                        Event E2 leaves the time window
                        [MSFT, 5000, 9.0]
7.0
                        Event E3 and E4 leave the time window
7.2

```

A.2.5. Output Rate Limiting - Snapshot

Using the `SNAPSHOT` keyword in the `output` clause, the runtime posts data window contents when the output condition is reached.

The statement for this sample reads:

```

select istream symbol, volume, price from MarketData#time(5.5 sec)
output snapshot every 1 seconds

```

The output is as follows:

Input	Output
	Insert Stream Remove Stream

```

-----
-----
Time Symbol  Volume  Price
0.2
    IBM      100    25.0  Event E1 arrives
0.8
    MSFT     5000    9.0   Event E2 arrives
1.0
1.2
                                [IBM, 100, 25.0]
                                [MSFT, 5000, 9.0]
1.5
    IBM      150    24.0  Event E3 arrives
    YAH     10000    1.0   Event E4 arrives
2.0
2.1
    IBM      155    26.0  Event E5 arrives
2.2
                                [IBM, 100, 25.0]
                                [MSFT, 5000, 9.0]
                                [IBM, 150, 24.0]
                                [YAH, 10000, 1.0]
                                [IBM, 155, 26.0]
2.5
3.0
3.2
                                [IBM, 100, 25.0]
                                [MSFT, 5000, 9.0]
                                [IBM, 150, 24.0]
                                [YAH, 10000, 1.0]
                                [IBM, 155, 26.0]
3.5
    YAH     11000    2.0   Event E6 arrives
4.0
4.2
                                [IBM, 100, 25.0]
                                [MSFT, 5000, 9.0]
                                [IBM, 150, 24.0]
                                [YAH, 10000, 1.0]
                                [IBM, 155, 26.0]
                                [YAH, 11000, 2.0]
4.3
    IBM      150    22.0  Event E7 arrives
4.9
    YAH     11500    3.0   Event E8 arrives
5.0
5.2
                                [IBM, 100, 25.0]
                                [MSFT, 5000, 9.0]

```

```

[IBM, 150, 24.0]
[YAH, 10000, 1.0]
[IBM, 155, 26.0]
[YAH, 11000, 2.0]
[IBM, 150, 22.0]
[YAH, 11500, 3.0]
5.7          Event E1 leaves the time window
5.9
    YAH    10500    1.0  Event E9 arrives
6.0
6.2
[MSFT, 5000, 9.0]
[IBM, 150, 24.0]
[YAH, 10000, 1.0]
[IBM, 155, 26.0]
[YAH, 11000, 2.0]
[IBM, 150, 22.0]
[YAH, 11500, 3.0]
[YAH, 10500, 1.0]
6.3          Event E2 leaves the time window
7.0          Event E3 and E4 leave the time window
7.2
[IBM, 155, 26.0]
[YAH, 11000, 2.0]
[IBM, 150, 22.0]
[YAH, 11500, 3.0]
[YAH, 10500, 1.0]

```

A.3. Output for Fully-Aggregated and Un-Grouped Statements

This chapter provides sample output for statements that have aggregation functions, and that do not have a `group by` clause, and in which all event properties are under aggregation.

A.3.1. No Output Rate Limiting

The statement for this sample reads:

```
select irstream sum(price) from MarketData#time(5.5 sec)
```

The output is as follows:

Input	Output
	Insert Stream Remove Stream

```

-----
-----
Time Symbol  Volume  Price
0.2
    IBM      100    25.0  Event E1 arrives
                                [25.0]      [null]
0.8
    MSFT     5000    9.0   Event E2 arrives
                                [34.0]      [25.0]
1.0
1.2
1.5
    IBM      150    24.0  Event E3 arrives
                                [58.0]      [34.0]
    YAH     10000    1.0   Event E4 arrives
                                [59.0]      [58.0]
2.0
2.1
    IBM      155    26.0  Event E5 arrives
                                [85.0]      [59.0]
2.2
2.5
3.0
3.2
3.5
    YAH     11000    2.0   Event E6 arrives
                                [87.0]      [85.0]
4.0
4.2
4.3
    IBM      150    22.0  Event E7 arrives
                                [109.0]     [87.0]
4.9
    YAH     11500    3.0   Event E8 arrives
                                [112.0]     [109.0]
5.0
5.2
5.7
                                Event E1 leaves the time window
                                [87.0]      [112.0]
5.9
    YAH     10500    1.0   Event E9 arrives
                                [88.0]      [87.0]
6.0
6.2
6.3
                                Event E2 leaves the time window
                                [79.0]      [88.0]
7.0
                                Event E3 and E4 leave the time window
                                [54.0]      [79.0]

```

7.2

A.3.2. Output Rate Limiting - Default

Output occurs when the output condition is reached after each 1-second time interval. For each event arriving, the new aggregation value is output as part of the insert stream. As part of the remove stream, the prior aggregation value is output. This is useful for getting a delta-change for each event or group. If there is a `having` clause, the filter expression applies to each row.

Here also the default (no keyword) and the `ALL` keyword result in the same output.

The statement for this sample reads:

```
select irstream sum(price) from MarketData#time(5.5 sec)
output every 1 seconds
```

The output is as follows:

Input				Output	
				Insert Stream	Remove Stream

Time	Symbol	Volume	Price		
0.2					
	IBM	100	25.0	Event E1 arrives	
0.8					
	MSFT	5000	9.0	Event E2 arrives	
1.0					
1.2				[25.0]	[null]
				[34.0]	[25.0]
1.5					
	IBM	150	24.0	Event E3 arrives	
	YAH	10000	1.0	Event E4 arrives	
2.0					
2.1					
	IBM	155	26.0	Event E5 arrives	
2.2					
				[58.0]	[34.0]
				[59.0]	[58.0]
				[85.0]	[59.0]
2.5					
3.0					
3.2					
				[85.0]	[85.0]
3.5					

4.0	YAH	11000	2.0	Event E6 arrives		
4.2					[87.0]	[85.0]
4.3						
4.9	IBM	150	22.0	Event E7 arrives		
5.0	YAH	11500	3.0	Event E8 arrives		
5.2					[109.0]	[87.0]
					[112.0]	[109.0]
5.7				Event E1 leaves the time window		
5.9	YAH	10500	1.0	Event E9 arrives		
6.0					[87.0]	[112.0]
6.2					[88.0]	[87.0]
6.3				Event E2 leaves the time window		
7.0				Event E3 and E4 leave the time window		
7.2					[79.0]	[88.0]
					[54.0]	[79.0]

A.3.3. Output Rate Limiting - Last

With the `LAST` keyword, the insert stream carries one event that holds the last aggregation value, and the remove stream carries the prior aggregation value.

The statement for this sample reads:

```
select irstream sum(price) from MarketData#time(5.5 sec)
output last every 1 seconds
```

The output is as follows:

Input				Output	
Time	Symbol	Volume	Price	Insert Stream	Remove Stream
0.2	IBM	100	25.0	Event E1 arrives	
0.8	MSFT	5000	9.0	Event E2 arrives	

```

1.0
1.2
                                [34.0]          [null]
1.5
    IBM      150      24.0  Event E3 arrives
    YAH      10000     1.0  Event E4 arrives
2.0
2.1
    IBM      155      26.0  Event E5 arrives
2.2
                                [85.0]          [34.0]
2.5
3.0
3.2
                                [85.0]          [85.0]
3.5
    YAH      11000     2.0  Event E6 arrives
4.0
4.2
                                [87.0]          [85.0]
4.3
    IBM      150      22.0  Event E7 arrives
4.9
    YAH      11500     3.0  Event E8 arrives
5.0
5.2
                                [112.0]         [87.0]
5.7
                                Event E1 leaves the time window
5.9
    YAH      10500     1.0  Event E9 arrives
6.0
6.2
                                [88.0]          [112.0]
6.3
                                Event E2 leaves the time window
7.0
                                Event E3 and E4 leave the time window
7.2
                                [54.0]          [88.0]

```

A.3.4. Output Rate Limiting - First

The statement for this sample reads:

```

select irstream sum(price) from MarketData#time(5.5 sec)
output first every 1 seconds

```

The output is as follows:

Input				Output	
				Insert Stream	Remove Stream

Time	Symbol	Volume	Price		
0.2	IBM	100	25.0	Event E1 arrives	
				[25.0]	[null]
0.8	MSFT	5000	9.0	Event E2 arrives	
1.0					
1.2					
1.5	IBM	150	24.0	Event E3 arrives	
				[58.0]	[34.0]
	YAH	10000	1.0	Event E4 arrives	
2.0					
2.1	IBM	155	26.0	Event E5 arrives	
2.2					
2.5					
3.0					
3.2					
3.5	YAH	11000	2.0	Event E6 arrives	
				[87.0]	[85.0]
4.0					
4.2					
4.3	IBM	150	22.0	Event E7 arrives	
				[109.0]	[87.0]
4.9	YAH	11500	3.0	Event E8 arrives	
5.0					
5.2					
5.7				Event E1 leaves the time window	
				[87.0]	[112.0]
5.9	YAH	10500	1.0	Event E9 arrives	
6.0					
6.2					
6.3				Event E2 leaves the time window	
				[79.0]	[88.0]
7.0				Event E3 and E4 leave the time window	
7.2					

A.3.5. Output Rate Limiting - Snapshot

The statement for this sample reads:

```
select irstream sum(price) from MarketData#time(5.5 sec)
output snapshot every 1 seconds
```

The output is as follows:

Input				Output	
Time	Symbol	Volume	Price	Insert Stream	Remove Stream
0.2	IBM	100	25.0	Event E1 arrives	
0.8	MSFT	5000	9.0	Event E2 arrives	
1.0					
1.2					[34.0]
1.5	IBM	150	24.0	Event E3 arrives	
	YAH	10000	1.0	Event E4 arrives	
2.0					
2.1	IBM	155	26.0	Event E5 arrives	
2.2					[85.0]
2.5					
3.0					
3.2					[85.0]
3.5	YAH	11000	2.0	Event E6 arrives	
4.0					
4.2					[87.0]
4.3	IBM	150	22.0	Event E7 arrives	
4.9	YAH	11500	3.0	Event E8 arrives	
5.0					
5.2					[112.0]
5.7				Event E1 leaves the time window	

```

5.9      YAH  10500    1.0  Event E9 arrives
6.0
6.2
                                [88.0]
6.3      Event E2 leaves the time window
7.0      Event E3 and E4 leave the time window
7.2
                                [54.0]

```

A.4. Output for Aggregated and Un-Grouped Statements

This chapter provides sample output for statements that have aggregation functions, and that do not have a `group by` clause, and in which there are event properties that are not under aggregation.

A.4.1. No Output Rate Limiting

The statement for this sample reads:

```
select irstream symbol, sum(price) from MarketData#time(5.5 sec)
```

The output is as follows:

Input				Output	
Time	Symbol	Volume	Price	Insert Stream	Remove Stream
0.2	IBM	100	25.0	Event E1 arrives	[IBM, 25.0]
0.8	MSFT	5000	9.0	Event E2 arrives	[MSFT, 34.0]
1.5	IBM	150	24.0	Event E3 arrives	[IBM, 58.0]
2.0	YAH	10000	1.0	Event E4 arrives	[YAH, 59.0]

```

2.1      IBM      155      26.0    Event E5 arrives
                                     [IBM, 85.0]
2.2
2.5
3.0
3.2
3.5
      YAH      11000      2.0    Event E6 arrives
                                     [YAH, 87.0]
4.0
4.2
4.3
      IBM      150      22.0    Event E7 arrives
                                     [IBM, 109.0]
4.9
      YAH      11500      3.0    Event E8 arrives
                                     [YAH, 112.0]
5.0
5.2
5.7
                                     Event E1 leaves the time window
                                               [IBM, 87.0]
5.9
      YAH      10500      1.0    Event E9 arrives
                                     [YAH, 88.0]
6.0
6.2
6.3
                                     Event E2 leaves the time window
                                               [MSFT, 79.0]
7.0
                                     Event E3 and E4 leave the time window
                                               [IBM, 54.0]
                                               [YAH, 54.0]
7.2

```

A.4.2. Output Rate Limiting - Default

The statement for this sample reads:

```

select irstream symbol, sum(price) from MarketData#time(5.5 sec)
output every 1 seconds

```

The output is as follows:

Input	Output	
	Insert Stream	Remove Stream

```

-----
-----
Time Symbol  Volume  Price
0.2
    IBM      100    25.0  Event E1 arrives
0.8
    MSFT     5000    9.0   Event E2 arrives
1.0
1.2
                                [IBM, 25.0]
                                [MSFT, 34.0]
1.5
    IBM      150    24.0  Event E3 arrives
    YAH     10000    1.0   Event E4 arrives
2.0
2.1
    IBM      155    26.0  Event E5 arrives
2.2
                                [IBM, 58.0]
                                [YAH, 59.0]
                                [IBM, 85.0]
2.5
3.0
3.2
                                (empty result)  (empty result)
3.5
    YAH     11000    2.0   Event E6 arrives
4.0
4.2
                                [YAH, 87.0]
4.3
    IBM      150    22.0  Event E7 arrives
4.9
    YAH     11500    3.0   Event E8 arrives
5.0
5.2
                                [IBM, 109.0]
                                [YAH, 112.0]
5.7
                                Event E1 leaves the time window
5.9
    YAH     10500    1.0   Event E9 arrives
6.0
6.2
                                [YAH, 88.0]  [IBM, 87.0]
6.3
                                Event E2 leaves the time window
7.0
                                Event E3 and E4 leave the time window
7.2
                                [MSFT, 79.0]
                                [IBM, 54.0]

```

[YAH, 54.0]

A.4.3. Output Rate Limiting - Last

The statement for this sample reads:

```
select irstream symbol, sum(price) from MarketData#time(5.5 sec)
output last every 1 seconds
```

The output is as follows:

Input				Output	
Time	Symbol	Volume	Price	Insert Stream	Remove Stream
0.2	IBM	100	25.0	Event E1 arrives	
0.8	MSFT	5000	9.0	Event E2 arrives	
1.0					
1.2					[MSFT, 34.0]
1.5	IBM	150	24.0	Event E3 arrives	
	YAH	10000	1.0	Event E4 arrives	
2.0					
2.1	IBM	155	26.0	Event E5 arrives	
2.2					[IBM, 85.0]
2.5					
3.0					
3.2				(empty result)	(empty result)
3.5	YAH	11000	2.0	Event E6 arrives	
4.0					
4.2					[YAH, 87.0]
4.3	IBM	150	22.0	Event E7 arrives	
4.9	YAH	11500	3.0	Event E8 arrives	
5.0					
5.2					


```

                    [YAH, 112.0]
5.7                Event E1 leaves the time window
5.9
    YAH    10500    1.0  Event E9 arrives
6.0
6.2
                    [YAH, 88.0]    [IBM, 87.0]
6.3                Event E2 leaves the time window
7.0                Event E3 and E4 leave the time window
7.2
                                                [YAH, 54.0]

```

A.4.4. Output Rate Limiting - First

The statement for this sample reads:

```

select irstream symbol, sum(price) from MarketData#time(5.5 sec)
output first every 1 seconds

```

The output is as follows:

Input				Output	
Time	Symbol	Volume	Price	Insert Stream	Remove Stream
0.2	IBM	100	25.0	Event E1 arrives	[IBM, 25.0]
0.8	MSFT	5000	9.0	Event E2 arrives	
1.5	IBM	150	24.0	Event E3 arrives	[IBM, 58.0]
1.5	YAH	10000	1.0	Event E4 arrives	
2.1	IBM	155	26.0	Event E5 arrives	
3.5	YAH	11000	2.0	Event E6 arrives	


```
2.0
2.1      IBM      155      26.0  Event E5 arrives
2.2
                                     [IBM, 85.0]
                                     [MSFT, 85.0]
                                     [IBM, 85.0]
                                     [YAH, 85.0]
                                     [IBM, 85.0]
2.5
3.0
3.2
                                     [IBM, 85.0]
                                     [MSFT, 85.0]
                                     [IBM, 85.0]
                                     [YAH, 85.0]
                                     [IBM, 85.0]
3.5      YAH     11000      2.0  Event E6 arrives
4.0
4.2
                                     [IBM, 87.0]
                                     [MSFT, 87.0]
                                     [IBM, 87.0]
                                     [YAH, 87.0]
                                     [IBM, 87.0]
                                     [YAH, 87.0]
4.3      IBM      150      22.0  Event E7 arrives
4.9      YAH     11500      3.0  Event E8 arrives
5.0
5.2
                                     [IBM, 112.0]
                                     [MSFT, 112.0]
                                     [IBM, 112.0]
                                     [YAH, 112.0]
                                     [IBM, 112.0]
                                     [YAH, 112.0]
                                     [IBM, 112.0]
                                     [YAH, 112.0]
5.7
                                     Event E1 leaves the time window
5.9      YAH     10500      1.0  Event E9 arrives
6.0
6.2
                                     [MSFT, 88.0]
                                     [IBM, 88.0]
                                     [YAH, 88.0]
```

```

[IBM, 88.0]
[YAH, 88.0]
[IBM, 88.0]
[YAH, 88.0]
[YAH, 88.0]
6.3      Event E2 leaves the time window
7.0      Event E3 and E4 leave the time window
7.2

[IBM, 54.0]
[YAH, 54.0]
[IBM, 54.0]
[YAH, 54.0]
[YAH, 54.0]

```

A.5. Output for Fully-Aggregated and Grouped Statements

This chapter provides sample output for statements that have aggregation functions, and that have a `group by` clause, and in which all event properties are under aggregation or appear in the `group by` clause.

A.5.1. No Output Rate Limiting

The statement for this sample reads:

```

select irstream symbol, sum(price) from MarketData#time(5.5 sec)
group by symbol
order by symbol

```

The output is as follows:

Input				Output	
Time	Symbol	Volume	Price	Insert Stream	Remove Stream
0.2	IBM	100	25.0	[IBM, 25.0]	[IBM, null]
0.8	MSFT	5000	9.0	[MSFT, 9.0]	[MSFT, null]
1.0					
1.2					

```

1.5      IBM      150      24.0    Event E3 arrives
          [IBM, 49.0]      [IBM, 25.0]
      YAH      10000      1.0    Event E4 arrives
          [YAH, 1.0]      [YAH, null]
2.0
2.1      IBM      155      26.0    Event E5 arrives
          [IBM, 75.0]      [IBM, 49.0]
2.2
2.5
3.0
3.2
3.5      YAH      11000      2.0    Event E6 arrives
          [YAH, 3.0]      [YAH, 1.0]
4.0
4.2
4.3      IBM      150      22.0    Event E7 arrives
          [IBM, 97.0]      [IBM, 75.0]
4.9      YAH      11500      3.0    Event E8 arrives
          [YAH, 6.0]      [YAH, 3.0]
5.0
5.2
5.7                      Event E1 leaves the time window
          [IBM, 72.0]      [IBM, 97.0]
5.9      YAH      10500      1.0    Event E9 arrives
          [YAH, 7.0]      [YAH, 6.0]
6.0
6.2
6.3                      Event E2 leaves the time window
          [MSFT, null]      [MSFT, 9.0]
7.0                      Event E3 and E4 leave the time window
          [IBM, 48.0]      [IBM, 72.0]
          [YAH, 6.0]      [YAH, 7.0]
7.2

```

A.5.2. Output Rate Limiting - Default

The default (no keyword) and the `ALL` keyword do not result in the same output. The default generates an output row per input event, while the `ALL` keyword generates a row for all groups.

The statement for this sample reads:

```
select irstream symbol, sum(price) from MarketData#time(5.5 sec)
```

Appendix A. Output Reference ...

```
group by symbol
output every 1 seconds
```

The output is as follows:

Input				Insert Stream	Output	Remove Stream
Time	Symbol	Volume	Price			
0.2	IBM	100	25.0	Event E1 arrives		
0.8	MSFT	5000	9.0	Event E2 arrives		
1.0						
1.2					[IBM, 25.0]	[IBM, null]
					[MSFT, 9.0]	[MSFT, null]
1.5	IBM	150	24.0	Event E3 arrives		
	YAH	10000	1.0	Event E4 arrives		
2.0						
2.1	IBM	155	26.0	Event E5 arrives		
2.2					[IBM, 49.0]	[IBM, 25.0]
					[YAH, 1.0]	[YAH, null]
					[IBM, 75.0]	[IBM, 49.0]
2.5						
3.0						
3.2					(empty result)	(empty result)
3.5	YAH	11000	2.0	Event E6 arrives		
4.0						
4.2					[YAH, 3.0]	[YAH, 1.0]
4.3	IBM	150	22.0	Event E7 arrives		
4.9	YAH	11500	3.0	Event E8 arrives		
5.0						
5.2					[IBM, 97.0]	[IBM, 75.0]
					[YAH, 6.0]	[YAH, 3.0]
5.7				Event E1 leaves the time window		
5.9						

```

        YAH  10500    1.0  Event E9 arrives
6.0
6.2
                                [IBM, 72.0]    [IBM, 97.0]
                                [YAH, 7.0]    [YAH, 6.0]
6.3
        Event E2 leaves the time window
7.0
        Event E3 and E4 leave the time window
7.2
                                [MSFT, null]    [MSFT, 9.0]
                                [YAH, 6.0]    [YAH, 7.0]
                                [IBM, 48.0]    [IBM, 72.0]

```

A.5.3. Output Rate Limiting - All

The statement for this sample reads:

```

select irstream symbol, sum(price) from MarketData#time(5.5 sec)
group by symbol
output all every 1 seconds
order by symbol

```

The output is as follows:

Input				Output	
Time	Symbol	Volume	Price	Insert Stream	Remove Stream
0.2					
	IBM	100	25.0		
					Event E1 arrives
0.8					
	MSFT	5000	9.0		
					Event E2 arrives
1.0					
1.2					
				[IBM, 25.0]	[IBM, null]
				[MSFT, 9.0]	[MSFT, null]
1.5					
	IBM	150	24.0		
					Event E3 arrives
	YAH	10000	1.0		
					Event E4 arrives
2.0					
2.1					
	IBM	155	26.0		
					Event E5 arrives
2.2					
				[IBM, 75.0]	[IBM, 25.0]
				[MSFT, 9.0]	[MSFT, 9.0]
				[YAH, 1.0]	[YAH, null]

2.5						
3.0						
3.2						
					[IBM, 75.0]	[IBM, 75.0]
					[MSFT, 9.0]	[MSFT, 9.0]
					[YAH, 1.0]	[YAH, 1.0]
3.5						
	YAH	11000	2.0	Event E6 arrives		
4.0						
4.2						
					[IBM, 75.0]	[IBM, 75.0]
					[MSFT, 9.0]	[MSFT, 9.0]
					[YAH, 3.0]	[YAH, 1.0]
4.3						
	IBM	150	22.0	Event E7 arrives		
4.9						
	YAH	11500	3.0	Event E8 arrives		
5.0						
5.2						
					[IBM, 97.0]	[IBM, 75.0]
					[MSFT, 9.0]	[MSFT, 9.0]
					[YAH, 6.0]	[YAH, 3.0]
5.7				Event E1 leaves the time window		
5.9						
	YAH	10500	1.0	Event E9 arrives		
6.0						
6.2						
					[IBM, 72.0]	[IBM, 97.0]
					[MSFT, 9.0]	[MSFT, 9.0]
					[YAH, 7.0]	[YAH, 6.0]
6.3				Event E2 leaves the time window		
7.0				Event E3 and E4 leave the time window		
7.2						
					[IBM, 48.0]	[IBM, 72.0]
					[MSFT, null]	[MSFT, 9.0]
					[YAH, 6.0]	[YAH, 7.0]

A.5.4. Output Rate Limiting - Last

The statement for this sample reads:

```
select irstream symbol, sum(price) from MarketData#time(5.5 sec)
group by symbol
output last every 1 seconds
order by symbol
```


The output is as follows:

Input				Output	
				Insert Stream	Remove Stream

Time	Symbol	Volume	Price		
0.2					
	IBM	100	25.0	Event E1 arrives	
0.8					
	MSFT	5000	9.0	Event E2 arrives	
1.0					
1.2					
				[IBM, 25.0]	[IBM, null]
				[MSFT, 9.0]	[MSFT, null]
1.5					
	IBM	150	24.0	Event E3 arrives	
	YAH	10000	1.0	Event E4 arrives	
2.0					
2.1					
	IBM	155	26.0	Event E5 arrives	
2.2					
				[IBM, 75.0]	[IBM, 25.0]
				[YAH, 1.0]	[YAH, null]
2.5					
3.0					
3.2					
				(empty result)	(empty result)
3.5					
	YAH	11000	2.0	Event E6 arrives	
4.0					
4.2					
				[YAH, 3.0]	[YAH, 1.0]
4.3					
	IBM	150	22.0	Event E7 arrives	
4.9					
	YAH	11500	3.0	Event E8 arrives	
5.0					
5.2					
				[IBM, 97.0]	[IBM, 75.0]
				[YAH, 6.0]	[YAH, 3.0]
5.7				Event E1 leaves the time window	
5.9					
	YAH	10500	1.0	Event E9 arrives	
6.0					
6.2					
				[IBM, 72.0]	[IBM, 97.0]
				[YAH, 7.0]	[YAH, 6.0]

```

6.3          Event E2 leaves the time window
7.0          Event E3 and E4 leave the time window
7.2
              [IBM, 48.0]          [IBM, 72.0]
              [MSFT, null]        [MSFT, 9.0]
              [YAH, 6.0]          [YAH, 7.0]
    
```

A.5.5. Output Rate Limiting - First

The statement for this sample reads:

```

select irstream symbol, sum(price) from MarketData#time(5.5 sec)
group by symbol
output first every 1 seconds
    
```

The output is as follows:

Input				Output	
Time	Symbol	Volume	Price	Insert Stream	Remove Stream
0.2	IBM	100	25.0	Event E1 arrives [IBM, 25.0]	[IBM, null]
0.8	MSFT	5000	9.0	Event E2 arrives [MSFT, 9.0]	[MSFT, null]
1.0					
1.2					
1.5	IBM	150	24.0	Event E3 arrives [IBM, 49.0]	[IBM, 25.0]
	YAH	10000	1.0	Event E4 arrives [YAH, 1.0]	[YAH, null]
2.0					
2.1	IBM	155	26.0	Event E5 arrives	
2.2					
2.5					
3.0					
3.2					
3.5	YAH	11000	2.0	Event E6 arrives [YAH, 3.0]	[YAH, 1.0]

```

4.0
4.2
4.3      IBM      150      22.0  Event E7 arrives
                                     [IBM, 97.0]      [IBM, 75.0]
4.9      YAH     11500      3.0  Event E8 arrives
                                     [YAH, 6.0]      [YAH, 3.0]
5.0
5.2
5.7                                     Event E1 leaves the time window
                                     [IBM, 72.0]      [IBM, 97.0]
5.9      YAH     10500      1.0  Event E9 arrives
                                     [YAH, 7.0]      [YAH, 6.0]
6.0
6.2
6.3                                     Event E2 leaves the time window
                                     [MSFT, null]     [MSFT, 9.0]
7.0                                     Event E3 and E4 leave the time window
                                     [IBM, 48.0]     [IBM, 72.0]
                                     [YAH, 6.0]     [YAH, 7.0]
7.2

```

A.5.6. Output Rate Limiting - Snapshot

The statement for this sample reads:

```

select irstream symbol, sum(price) from MarketData#time(5.5 sec)
group by symbol
output snapshot every 1 seconds
order by symbol

```

The output is as follows:

Input				Output	
Time	Symbol	Volume	Price	Insert Stream	Remove Stream
0.2	IBM	100	25.0	Event E1 arrives	
0.8	MSFT	5000	9.0	Event E2 arrives	
1.0					
1.2					

```

[IBM, 25.0]
[MSFT, 9.0]
1.5
  IBM    150    24.0  Event E3 arrives
  YAH   10000    1.0  Event E4 arrives
2.0
2.1
  IBM    155    26.0  Event E5 arrives
2.2
[IBM, 75.0]
[MSFT, 9.0]
[YAH, 1.0]
2.5
3.0
3.2
[IBM, 75.0]
[MSFT, 9.0]
[YAH, 1.0]
3.5
  YAH   11000    2.0  Event E6 arrives
4.0
4.2
[IBM, 75.0]
[MSFT, 9.0]
[YAH, 3.0]
4.3
  IBM    150    22.0  Event E7 arrives
4.9
  YAH   11500    3.0  Event E8 arrives
5.0
5.2
[IBM, 97.0]
[MSFT, 9.0]
[YAH, 6.0]
5.7
  Event E1 leaves the time window
5.9
  YAH   10500    1.0  Event E9 arrives
6.0
6.2
[IBM, 72.0]
[MSFT, 9.0]
[YAH, 7.0]
6.3
  Event E2 leaves the time window
7.0
  Event E3 and E4 leave the time window
7.2
[IBM, 48.0]
[YAH, 6.0]
```

A.6. Output for Aggregated and Grouped Statements

This chapter provides sample output for statements that have aggregation functions, and that have a `group by` clause, and in which some event properties are not under aggregation.

A.6.1. No Output Rate Limiting

The statement for this sample reads:

```
select irstream symbol, volume, sum(price) from MarketData#time(5.5 sec) group
by symbol
```

The output is as follows:

Input				Output	
Time	Symbol	Volume	Price	Insert Stream	Remove Stream
0.2	IBM	100	25.0	Event E1 arrives	[IBM, 100, 25.0]
0.8	MSFT	5000	9.0	Event E2 arrives	[MSFT, 5000, 9.0]
1.0					
1.2					
1.5	IBM	150	24.0	Event E3 arrives	[IBM, 150, 49.0]
	YAH	10000	1.0	Event E4 arrives	[YAH, 10000, 1.0]
2.0					
2.1	IBM	155	26.0	Event E5 arrives	[IBM, 155, 75.0]
2.2					
2.5					
3.0					
3.2					
3.5	YAH	11000	2.0	Event E6 arrives	[YAH, 11000, 3.0]
4.0					
4.2					
4.3					

	IBM	150	22.0	Event E7 arrives	
					[IBM, 150, 97.0]
4.9					
	YAH	11500	3.0	Event E8 arrives	
					[YAH, 11500, 6.0]
5.0					
5.2					
5.7				Event E1 leaves the time window	
					[IBM, 100, 72.0]
5.9					
	YAH	10500	1.0	Event E9 arrives	
					[YAH, 10500, 7.0]
6.0					
6.2					
6.3				Event E2 leaves the time window	
					[MSFT, 5000, null]
7.0				Event E3 and E4 leave the time window	
					[IBM, 150, 48.0]
					[YAH, 10000, 6.0]
7.2					

A.6.2. Output Rate Limiting - Default

The default (no keyword) and the ALL keyword do not result in the same output. The default generates an output row per input event, while the ALL keyword generates a row for all groups based on the last new event for each group.

The statement for this sample reads:

```
select irstream symbol, volume, sum(price) from MarketData#time(5.5 sec)
group by symbol
output every 1 seconds
```

The output is as follows:

Input				Output	
				Insert Stream	Remove Stream

Time	Symbol	Volume	Price		
0.2					
	IBM	100	25.0	Event E1 arrives	
0.8					
	MSFT	5000	9.0	Event E2 arrives	
1.0					
1.2					

```

[IBM, 100, 25.0]
[MSFT, 5000, 9.0]
1.5
  IBM      150      24.0  Event E3 arrives
  YAH     10000      1.0  Event E4 arrives
2.0
2.1
  IBM      155      26.0  Event E5 arrives
2.2
[IBM, 150, 49.0]
[YAH, 10000, 1.0]
[IBM, 155, 75.0]
2.5
3.0
3.2
      (empty result)      (empty result)
3.5
  YAH     11000      2.0  Event E6 arrives
4.0
4.2
[      YAH, 11000, 3.0]
4.3
  IBM      150      22.0  Event E7 arrives
4.9
  YAH     11500      3.0  Event E8 arrives
5.0
5.2
[      IBM, 150, 97.0]
[      YAH, 11500, 6.0]
5.7
      Event E1 leaves the time window
5.9
  YAH     10500      1.0  Event E9 arrives
6.0
6.2
[      YAH, 10500, 7.0] [IBM, 100, 72.0]
6.3
      Event E2 leaves the time window
7.0
      Event E3 and E4 leave the time window
7.2
[MSFT, 5000, null]
[IBM, 150, 48.0]
[YAH, 10000, 6.0]

```

A.6.3. Output Rate Limiting - All

The statement for this sample reads:

```
select irstream symbol, volume, sum(price) from MarketData#time(5.5 sec)
```

Appendix A. Output Reference ...

```
group by symbol
output all every 1 seconds
order by symbol
```

The output is as follows:

	Input			Output	
				Insert Stream	Remove Stream

Time	Symbol	Volume	Price		
0.2					
	IBM	100	25.0	Event E1 arrives	
0.8					
	MSFT	5000	9.0	Event E2 arrives	
1.0					
1.2					
				[IBM, 100, 25.0]	
				[MSFT, 5000, 9.0]	
1.5					
	IBM	150	24.0	Event E3 arrives	
	YAH	10000	1.0	Event E4 arrives	
2.0					
2.1					
	IBM	155	26.0	Event E5 arrives	
2.2					
				[IBM, 150, 49.0]	
				[IBM, 155, 75.0]	
				[MSFT, 5000, 9.0]	
				[YAH, 10000, 1.0]	
2.5					
3.0					
3.2					
				[IBM, 155, 75.0]	
				[MSFT, 5000, 9.0]	
				[YAH, 10000, 1.0]	
3.5					
	YAH	11000	2.0	Event E6 arrives	
4.0					
4.2					
				[IBM, 155, 75.0]	
				[MSFT, 5000, 9.0]	
				[YAH, 11000, 3.0]	
4.3					
	IBM	150	22.0	Event E7 arrives	
4.9					
	YAH	11500	3.0	Event E8 arrives	


```

5.0
5.2
                                [IBM, 150, 97.0]
                                [MSFT, 5000, 9.0]
                                [YAH, 11500, 6.0]
5.7
                                Event E1 leaves the time window
5.9
    YAH  10500    1.0  Event E9 arrives
6.0
6.2
                                [IBM, 150, 72.0]  [IBM, 100, 72.0]
                                [MSFT, 5000, 9.0]
                                [YAH, 10500, 7.0]
6.3
                                Event E2 leaves the time window
7.0
                                Event E3 and E4 leave the time window
7.2
                                [IBM, 150, 48.0]  [IBM, 150, 48.0]
                                [MSFT, 5000, null] [MSFT, 5000, null]
                                [YAH, 10500, 6.0] [YAH, 10000, 6.0]

```

A.6.4. Output Rate Limiting - Last

The statement for this sample reads:

```

select irstream symbol, volume, sum(price) from MarketData#time(5.5 sec)
group by symbol
output last every 1 seconds
order by symbol

```

The output is as follows:

Input				Output	
Time	Symbol	Volume	Price	Insert Stream	Remove Stream
0.2	IBM	100	25.0		Event E1 arrives
0.8	MSFT	5000	9.0		Event E2 arrives
1.0					
1.2				[IBM, 100, 25.0]	
				[MSFT, 5000, 9.0]	
1.5	IBM	150	24.0		Event E3 arrives

```

    YAH  10000   1.0  Event E4 arrives
2.0
2.1
    IBM   155   26.0  Event E5 arrives
2.2
                                [IBM, 155, 75.0]
                                [YAH, 10000, 1.0]
2.5
3.0
3.2
                                (empty result)  (empty result)
3.5
    YAH  11000   2.0  Event E6 arrives
4.0
4.2
                                [YAH, 11000, 3.0]
4.3
    IBM   150   22.0  Event E7 arrives
4.9
    YAH  11500   3.0  Event E8 arrives
5.0
5.2
                                [IBM, 150, 97.0]
                                [YAH, 11500, 6.0]
5.7
                                Event E1 leaves the time window
5.9
    YAH  10500   1.0  Event E9 arrives
6.0
6.2
                                [YAH, 10500, 7.0] [IBM, 100, 72.0]
6.3
                                Event E2 leaves the time window
7.0
                                Event E3 and E4 leave the time window
7.2
                                [IBM, 150, 48.0]
                                [MSFT, 5000, null]
                                [YAH, 10000, 6.0]

```

A.6.5. Output Rate Limiting - First

The statement for this sample reads:

```

select irstream symbol, volume, sum(price) from MarketData#time(5.5 sec)
group by symbol
output first every 1 seconds

```

The output is as follows:

Input				Output	
Time	Symbol	Volume	Price	Insert Stream	Remove Stream
0.2	IBM	100	25.0	Event E1 arrives [IBM, 100, 25.0]	
0.8	MSFT	5000	9.0	Event E2 arrives [MSFT, 5000, 9.0]	
1.0					
1.2					
1.5	IBM	150	24.0	Event E3 arrives [IBM, 150, 49.0]	
	YAH	10000	1.0	Event E4 arrives [YAH, 10000, 1.0]	
2.0					
2.1	IBM	155	26.0	Event E5 arrives	
2.2					
2.5					
3.0					
3.2					
3.5	YAH	11000	2.0	Event E6 arrives [YAH, 11000, 3.0]	
4.0					
4.2					
4.3	IBM	150	22.0	Event E7 arrives [IBM, 150, 97.0]	
4.9	YAH	11500	3.0	Event E8 arrives [YAH, 11500, 6.0]	
5.0					
5.2					
5.7				Event E1 leaves the time window [IBM, 100, 72.0]	
5.9	YAH	10500	1.0	Event E9 arrives [YAH, 10500, 7.0]	
6.0					
6.2					
6.3				Event E2 leaves the time window [MSFT, 5000, null]	
7.0				Event E3 and E4 leave the time window	

```

7.2
[IBM, 150, 48.0]
[YAH, 10000, 6.0]

```

A.6.6. Output Rate Limiting - Snapshot

The statement for this sample reads:

```

select irstream symbol, volume, sum(price) from MarketData#time(5.5 sec)
group by symbol
output snapshot every 1 seconds

```

The output is as follows:

Input				Output	
Time	Symbol	Volume	Price	Insert Stream	Remove Stream
0.2	IBM	100	25.0		Event E1 arrives
0.8	MSFT	5000	9.0		Event E2 arrives
1.0					
1.2				[IBM, 100, 25.0]	
				[MSFT, 5000, 9.0]	
1.5	IBM	150	24.0		Event E3 arrives
	YAH	10000	1.0		Event E4 arrives
2.0					
2.1	IBM	155	26.0		Event E5 arrives
2.2				[IBM, 100, 75.0]	
				[MSFT, 5000, 9.0]	
				[IBM, 150, 75.0]	
				[YAH, 10000, 1.0]	
				[IBM, 155, 75.0]	
2.5					
3.0					
3.2				[IBM, 100, 75.0]	
				[MSFT, 5000, 9.0]	
				[IBM, 150, 75.0]	
				[YAH, 10000, 1.0]	

```

[IBM, 155, 75.0]
3.5
YAH 11000 2.0 Event E6 arrives
4.0
4.2
[IBM, 100, 75.0]
[MSFT, 5000, 9.0]
[IBM, 150, 75.0]
[YAH, 10000, 3.0]
[IBM, 155, 75.0]
[YAH, 11000, 3.0]
4.3
IBM 150 22.0 Event E7 arrives
4.9
YAH 11500 3.0 Event E8 arrives
5.0
5.2
[IBM, 100, 97.0]
[MSFT, 5000, 9.0]
[IBM, 150, 97.0]
[YAH, 10000, 6.0]
[IBM, 155, 97.0]
[YAH, 11000, 6.0]
[IBM, 150, 97.0]
[YAH, 11500, 6.0]
5.7 Event E1 leaves the time window
5.9
YAH 10500 1.0 Event E9 arrives
6.0
6.2
[MSFT, 5000, 9.0]
[IBM, 150, 72.0]
[YAH, 10000, 7.0]
[IBM, 155, 72.0]
[YAH, 11000, 7.0]
[IBM, 150, 72.0]
[YAH, 11500, 7.0]
[YAH, 10500, 7.0]
6.3 Event E2 leaves the time window
7.0 Event E3 and E4 leave the time window
7.2
[IBM, 155, 48.0]
[YAH, 11000, 6.0]
[IBM, 150, 48.0]
[YAH, 11500, 6.0]
[YAH, 10500, 6.0]

```

A.7. Output for Fully-Aggregated, Grouped Statements With Rollup

This chapter provides sample output for statements that have aggregation functions, and that have a `group by` clause, and in which all event properties are under aggregation or appear in the `group by` clause, and the `group by` clause has a `rollup`, `cube` or `grouping sets` keyword(s) instructing the runtime to perform multi-level aggregation.

A.7.1. No Output Rate Limiting

The statement for this sample reads:

```
select irstream symbol, volume, sum(price)
from MarketData#time(5.5 sec)
group by rollup(symbol)
```

The output is as follows:

Input				Output	
Time	Symbol	Volume	Price	Insert Stream	Remove Stream
0.2	IBM	100	25.0	[IBM, 25.0]	[IBM, null]
				[null, 25.0]	[null, null]
0.8	MSFT	5000	9.0	[MSFT, 9.0]	[MSFT, null]
				[null, 34.0]	[null, 25.0]
1.0					
1.2					
1.5	IBM	150	24.0	[IBM, 49.0]	[IBM, 25.0]
				[null, 58.0]	[null, 34.0]
	YAH	10000	1.0	[YAH, 1.0]	[YAH, null]
				[null, 59.0]	[null, 58.0]
2.0					
2.1	IBM	155	26.0	[IBM, 75.0]	[IBM, 49.0]
				[null, 85.0]	[null, 59.0]

```

2.2
2.5
3.0
3.2
3.5
    YAH    11000    2.0    Event E6 arrives
                                [YAH, 3.0]    [YAH, 1.0]
                                [null, 87.0]    [null, 85.0]
4.0
4.2
4.3
    IBM     150    22.0    Event E7 arrives
                                [IBM, 97.0]    [IBM, 75.0]
                                [null, 109.0]    [null, 87.0]
4.9
    YAH    11500    3.0    Event E8 arrives
                                [YAH, 6.0]    [YAH, 3.0]
                                [null, 112.0]    [null, 109.0]
5.0
5.2
5.7
                                Event E1 leaves the time window
                                [IBM, 72.0]    [IBM, 97.0]
                                [null, 87.0]    [null, 112.0]
5.9
    YAH    10500    1.0    Event E9 arrives
                                [YAH, 7.0]    [YAH, 6.0]
                                [null, 88.0]    [null, 87.0]
6.0
6.2
6.3
                                Event E2 leaves the time window
                                [MSFT, null]    [MSFT, 9.0]
                                [null, 79.0]    [null, 88.0]
7.0
                                Event E3 and E4 leave the time window
                                [IBM, 48.0]    [IBM, 72.0]
                                [YAH, 6.0]    [YAH, 7.0]
                                [null, 54.0]    [null, 79.0]
7.2

```

A.7.2. Output Rate Limiting - Default

The statement for this sample reads:

```

select irstream symbol, volume, sum(price)
from MarketData#time(5.5 sec)
group by rollup(symbol)
output every 1 seconds

```

The output is as follows:

Input				Output	
				Insert Stream	Remove Stream

Time	Symbol	Volume	Price		
0.2					
	IBM	100	25.0	Event E1 arrives	
0.8					
	MSFT	5000	9.0	Event E2 arrives	
1.0					
1.2					
				[IBM, 25.0]	[IBM, null]
				[null, 25.0]	[null, null]
				[MSFT, 9.0]	[MSFT, null]
				[null, 34.0]	[null, 25.0]
1.5					
	IBM	150	24.0	Event E3 arrives	
	YAH	10000	1.0	Event E4 arrives	
2.0					
2.1					
	IBM	155	26.0	Event E5 arrives	
2.2					
				[IBM, 49.0]	[IBM, 25.0]
				[null, 58.0]	[null, 34.0]
				[YAH, 1.0]	[YAH, null]
				[null, 59.0]	[null, 58.0]
				[IBM, 75.0]	[IBM, 49.0]
				[null, 85.0]	[null, 59.0]
2.5					
3.0					
3.2					
				(empty result)	(empty result)
3.5					
	YAH	11000	2.0	Event E6 arrives	
4.0					
4.2					
				[YAH, 3.0]	[YAH, 1.0]
				[null, 87.0]	[null, 85.0]
4.3					
	IBM	150	22.0	Event E7 arrives	
4.9					
	YAH	11500	3.0	Event E8 arrives	
5.0					
5.2					
				[IBM, 97.0]	[IBM, 75.0]
				[null, 109.0]	[null, 87.0]


```

                    [YAH, 6.0]      [YAH, 3.0]
                    [null, 112.0]   [null, 109.0]
5.7                Event E1 leaves the time window
5.9
    YAH    10500    1.0  Event E9 arrives
6.0
6.2
                    [IBM, 72.0]     [IBM, 97.0]
                    [null, 87.0]    [null, 112.0]
                    [YAH, 7.0]     [YAH, 6.0]
                    [null, 88.0]    [null, 87.0]
6.3                Event E2 leaves the time window
7.0                Event E3 and E4 leave the time window
7.2
                    [MSFT, null]    [MSFT, 9.0]
                    [null, 79.0]    [null, 88.0]
                    [IBM, 48.0]    [IBM, 72.0]
                    [YAH, 6.0]     [YAH, 7.0]
                    [null, 54.0]    [null, 79.0]

```

A.7.3. Output Rate Limiting - All

The statement for this sample reads:

```

select irstream symbol, volume, sum(price)
from MarketData#time(5.5 sec)
group by rollup(symbol)
output all every 1 seconds

```

The output is as follows:

Input				Output	
Time	Symbol	Volume	Price	Insert Stream	Remove Stream
0.2	IBM	100	25.0	Event E1 arrives	
0.8	MSFT	5000	9.0	Event E2 arrives	
1.0					
1.2				[IBM, 25.0]	[IBM, null]
				[MSFT, 9.0]	[MSFT, null]
				[null, 34.0]	[null, null]
1.5					

	IBM	150	24.0	Event E3 arrives		
	YAH	10000	1.0	Event E4 arrives		
2.0						
2.1						
	IBM	155	26.0	Event E5 arrives		
2.2					[IBM, 75.0]	[IBM, 25.0]
					[MSFT, 9.0]	[MSFT, 9.0]
					[YAH, 1.0]	[YAH, null]
					[null, 85.0]	[null, 34.0]
2.5						
3.0						
3.2					[IBM, 75.0]	[IBM, 75.0]
					[MSFT, 9.0]	[MSFT, 9.0]
					[YAH, 1.0]	[YAH, 1.0]
					[null, 85.0]	[null, 85.0]
3.5						
	YAH	11000	2.0	Event E6 arrives		
4.0						
4.2					[IBM, 75.0]	[IBM, 75.0]
					[MSFT, 9.0]	[MSFT, 9.0]
					[YAH, 3.0]	[YAH, 1.0]
					[null, 87.0]	[null, 85.0]
4.3						
	IBM	150	22.0	Event E7 arrives		
4.9						
	YAH	11500	3.0	Event E8 arrives		
5.0						
5.2					[IBM, 97.0]	[IBM, 75.0]
					[MSFT, 9.0]	[MSFT, 9.0]
					[YAH, 6.0]	[YAH, 3.0]
					[null, 112.0]	[null, 87.0]
5.7				Event E1 leaves the time window		
5.9						
	YAH	10500	1.0	Event E9 arrives		
6.0						
6.2					[IBM, 72.0]	[IBM, 97.0]
					[MSFT, 9.0]	[MSFT, 9.0]
					[YAH, 7.0]	[YAH, 6.0]
					[null, 88.0]	[null, 112.0]
6.3				Event E2 leaves the time window		
7.0				Event E3 and E4 leave the time window		
7.2					[IBM, 48.0]	[IBM, 72.0]
					[MSFT, null]	[MSFT, 9.0]

```
[YAH, 6.0]      [YAH, 7.0]
      [null, 54.0]      [null, 88.0]
```

A.7.4. Output Rate Limiting - Last

The statement for this sample reads:

```
select irstream symbol, volume, sum(price)
from MarketData#time(5.5 sec)
group by rollup(symbol)
output last every 1 seconds
```

The output is as follows:

Input				Output	
Time	Symbol	Volume	Price	Insert Stream	Remove Stream
0.2	IBM	100	25.0		
0.8	MSFT	5000	9.0		
1.0					
1.2				[IBM, 25.0]	[IBM, null]
				[MSFT, 9.0]	[MSFT, null]
				[null, 34.0]	[null, null]
1.5	IBM	150	24.0		
	YAH	10000	1.0		
2.0					
2.1	IBM	155	26.0		
2.2					
				[IBM, 75.0]	[IBM, 25.0]
				[YAH, 1.0]	[YAH, null]
				[null, 85.0]	[null, 34.0]
2.5					
3.0					
3.2					
				(empty result)	(empty result)
3.5	YAH	11000	2.0		
4.0					
4.2					

					[YAH, 3.0]	[YAH, 1.0]
					[null, 87.0]	[null, 85.0]
4.3	IBM	150	22.0	Event E7 arrives		
4.9	YAH	11500	3.0	Event E8 arrives		
5.0						
5.2					[IBM, 97.0]	[IBM, 75.0]
					[YAH, 6.0]	[YAH, 3.0]
					[null, 112.0]	[null, 87.0]
5.7				Event E1 leaves the time window		
5.9	YAH	10500	1.0	Event E9 arrives		
6.0						
6.2					[IBM, 72.0]	[IBM, 97.0]
					[YAH, 7.0]	[YAH, 6.0]
					[null, 88.0]	[null, 112.0]
6.3				Event E2 leaves the time window		
7.0				Event E3 and E4 leave the time window		
7.2					[MSFT, null]	[MSFT, 9.0]
					[IBM, 48.0]	[IBM, 72.0]
					[YAH, 6.0]	[YAH, 7.0]
					[null, 54.0]	[null, 88.0]

A.7.5. Output Rate Limiting - First

The statement for this sample reads:

```
select irstream symbol, volume, sum(price)
from MarketData#time(5.5 sec)
group by rollup(symbol)
output first every 1 seconds
```

The output is as follows:

Input				Output	
Time	Symbol	Volume	Price	Insert Stream	Remove Stream
0.2	IBM	100	25.0	Event E1 arrives	
				[IBM, 25.0]	[IBM, null]

					[null, 25.0]	[null, null]
0.8						
	MSFT	5000	9.0	Event E2 arrives		
					[MSFT, 9.0]	[MSFT, null]
1.0						
1.2						
1.5						
	IBM	150	24.0	Event E3 arrives		
					[IBM, 49.0]	[IBM, 25.0]
					[null, 58.0]	[null, 34.0]
	YAH	10000	1.0	Event E4 arrives		
					[YAH, 1.0]	[YAH, null]
2.0						
2.1						
	IBM	155	26.0	Event E5 arrives		
2.2						
2.5						
3.0						
3.2						
3.5						
	YAH	11000	2.0	Event E6 arrives		
					[YAH, 3.0]	[YAH, 1.0]
					[null, 87.0]	[null, 85.0]
4.0						
4.2						
4.3						
	IBM	150	22.0	Event E7 arrives		
					[IBM, 97.0]	[IBM, 75.0]
4.9						
	YAH	11500	3.0	Event E8 arrives		
					[YAH, 6.0]	[YAH, 3.0]
					[null, 112.0]	[null, 109.0]
5.0						
5.2						
5.7				Event E1 leaves the time window		
					[IBM, 72.0]	[IBM, 97.0]
5.9						
	YAH	10500	1.0	Event E9 arrives		
					[YAH, 7.0]	[YAH, 6.0]
					[null, 88.0]	[null, 87.0]
6.0						
6.2						
6.3				Event E2 leaves the time window		
					[MSFT, null]	[MSFT, 9.0]
7.0				Event E3 and E4 leave the time window		
					[IBM, 48.0]	[IBM, 72.0]
					[YAH, 6.0]	[YAH, 7.0]
					[null, 54.0]	[null, 79.0]

A.7.6. Output Rate Limiting - Snapshot

The statement for this sample reads:

```
select irstream symbol, volume, sum(price)
from MarketData#time(5.5 sec)
group by rollup(symbol)
output snapshot every 1 seconds
```

The output is as follows:

Input				Output	
Time	Symbol	Volume	Price	Insert Stream	Remove Stream
0.2	IBM	100	25.0		Event E1 arrives
0.8	MSFT	5000	9.0		Event E2 arrives
1.0					
1.2				[IBM, 25.0]	
				[MSFT, 9.0]	
				[null, 34.0]	
1.5	IBM	150	24.0		Event E3 arrives
	YAH	10000	1.0		Event E4 arrives
2.0					
2.1	IBM	155	26.0		Event E5 arrives
2.2				[IBM, 75.0]	
				[MSFT, 9.0]	
				[YAH, 1.0]	
				[null, 85.0]	
2.5					
3.0					
3.2				[IBM, 75.0]	
				[MSFT, 9.0]	
				[YAH, 1.0]	
				[null, 85.0]	
3.5	YAH	11000	2.0		Event E6 arrives
4.0					

```
4.2
                                     [IBM, 75.0]
                                     [MSFT, 9.0]
                                     [YAH, 3.0]
                                     [null, 87.0]

4.3  IBM      150      22.0  Event E7 arrives

4.9  YAH     11500      3.0  Event E8 arrives

5.0
5.2
                                     [IBM, 97.0]
                                     [MSFT, 9.0]
                                     [YAH, 6.0]
                                     [null, 112.0]

5.7
                                     Event E1 leaves the time window

5.9  YAH     10500      1.0  Event E9 arrives

6.0
6.2
                                     [MSFT, 9.0]
                                     [IBM, 72.0]
                                     [YAH, 7.0]
                                     [null, 88.0]

6.3
                                     Event E2 leaves the time window

7.0
                                     Event E3 and E4 leave the time window

7.2
                                     [IBM, 48.0]
                                     [YAH, 6.0]
                                     [null, 54.0]
```

Appendix B. Runtime Considerations for Output Rate Limiting

Output rate limiting provides output events to your application in regular intervals. Between intervals, the runtime may use a buffer to hold data until the output condition is reached, as described below. If your application has high-volume streams, you may need to be mindful of the memory needs for buffers especially if the output condition triggers infrequently.

The `output` clause with the `snapshot` keyword does not require a buffer for any type of statement.

The `output` clause with the `first` keyword does not require a buffer for any type of statement.

We use the term *change set* to describe all insert and remove stream events that occur since the last triggering of the output condition.

You can override the default behavior for some types of statements by specifying a hint.

Please see [Section 2.15, “Basic Aggregated Statement Types”](#) for information on the types of statements discussed below.

B.1. For Un-Aggregated and Un-Grouped Statements

B.1.1. `Output Last`

For statements that define `output last` the runtime retains only the first remove stream event and the last insert stream event, both matching the `having`-clause, if present, to compute insert and remove stream output when the output condition triggers.

B.1.2. `Output All`

Without an `order-by` clause:

- Upon arrival of any row the runtime applies the `having`-clause and retains only matching events, or retains all events if there is no `having`-clause.
- Upon triggering of the output condition the runtime computes the insert and remove stream output events according to the `select`-clause for output.

With an `order-by` clause or when your EPL specifies the `@Hint('disable_outputlimit_opt')` hint:

- The runtime retains the change set and computes output from the change set at the time the output condition triggers, after which it discards the change set.

B.2. For Fully Aggregated and Un-Grouped Statements

B.2.1. Output Last

Without an order-by clause:

- Upon arrival of the first row since the last triggering of the output condition the runtime computes the remove stream output event according to the `select`-clause for later output (when applicable).
- Upon triggering of the output condition the runtime computes the insert stream output event according to the `select`-clause for output.

With an order-by clause or when your EPL specifies the `@Hint('disable_outputlimit_opt')` hint:

- The runtime retains the change set and computes output from the change set at the time the output condition triggers, after which it discards the change set.

B.2.2. Output All

Without an order-by clause:

- Upon arrival of rows the runtime applies the `having`-clause and computes the insert and remove stream output event according to the `select`-clause for later output (when applicable).
- Upon triggering of the output condition the runtime outputs the insert and remove stream output events.

With an order-by clause or when your EPL specifies the `@Hint('disable_outputlimit_opt')` hint:

- The runtime retains the change set and computes output from the change set at the time the output condition triggers, after which it discards the change set.

B.3. For Aggregated and Un-Grouped Statements

B.3.1. Output Last

Without an order-by clause:

- Upon arrival of the first row since the last triggering of the output condition the runtime computes the insert and remove stream output event according to the `having`-clause (if present) and the `select`-clause for later output (when applicable), retaining only the last computed insert and remove stream output event.
- Upon triggering of the output condition the runtime outputs the pre-computed last insert stream and remove stream output event.

With an order-by clause or when your EPL specifies the `@Hint('disable_outputlimit_opt')` hint:

- The runtime retains the change set and computes output from the change set at the time the output condition triggers, after which it discards the change set.

B.3.2. Output All

Without an order-by clause:

- Upon arrival of rows the runtime computes the insert and remove stream output events according to the `having`-clause (if present) and the `select`-clause for later output, retaining only the computed insert and remove stream output events.
- Upon triggering of the output condition the runtime outputs the retained output events.

With an order-by clause or when your EPL specifies the `@Hint('disable_outputlimit_opt')` hint:

- The runtime retains the change set and computes output from the change set at the time the output condition triggers, after which it discards the change set.

B.4. For Fully Aggregated and Grouped Statements (Includes Rollup)

B.4.1. Output Last

Without an order-by clause:

- Upon arrival of the first row for a given group since the last triggering of the output condition the runtime computes the remove stream output event for that group according to the `select`-clause for later output (when applicable), and also retains a single insert stream event per group.
- Upon triggering of the output condition the runtime uses the retained insert stream events per group to compute output events according to the `select`-clause.

With an order-by clause or when your EPL specifies the `@Hint('disable_outputlimit_opt')` hint:

- The runtime retains the change set and computes output from the change set at the time the output condition triggers, after which it discards the change set.

B.4.2. Output All

Without an order-by clause:

- The runtime retains, for each group, a row to represent the group.
- Upon arrival of rows the runtime computes the remove stream output events according to the `having`-clause (if present) and the `select`-clause for later output.
- Upon triggering of the output condition the runtime computes the insert stream output events according to the `having`-clause (if present) and the `select`-clause for output, for each group.

With an `order-by` clause or when your EPL specifies the `@Hint('disable_outputlimit_opt')` hint:

- The runtime retains the change set and computes output from the change set at the time the output condition triggers, after which it discards the change set.

B.5. For Aggregated and Grouped Statements

B.5.1. `Output Last`

Without an `order-by` clause:

- Upon arrival of the first row for a given group since the last triggering of the output condition the runtime computes the insert and remove stream output event for that group according to the `select`-clause for later output (when applicable), and retains a last insert and remove stream event per group.
- Upon triggering of the output condition the runtime outputs the retained insert and remove stream output events per group.

With an `order-by` clause or when your EPL specifies the `@Hint('disable_outputlimit_opt')` hint:

- The runtime retains the change set and computes output from the change set at the time the output condition triggers, after which it discards the change set.

B.5.2. `Output All`

Without an `order-by` clause:

- The runtime retains, for each group, a row to represent the group.
- Upon arrival of rows the runtime computes the insert and remove stream output events according to the `having`-clause (if present) and the `select`-clause for later output.
- Upon triggering of the output condition the runtime computes insert stream output events according to the `having`-clause (if present) and the `select`-clause for output for each group that does not have output events yet, and outputs all events.

With an `order-by` clause or when your EPL specifies the `@Hint('disable_outputlimit_opt')` hint:

- The runtime retains the change set and computes output from the change set at the time the output condition triggers, after which it discards the change set.

Appendix C. Reserved Keywords

The words in the following table are explicitly reserved in EPL, however certain keywords are allowed as event property names in expressions and as column names in the rename syntax of the `select` clause.

Most of the words in the table are forbidden by standard SQL as well. A few are reserved because EPL needs them.

Names of built-in functions and certain auxiliary keywords are permitted as identifiers for use either as event property names in expressions and for the column rename syntax. The second column in the table below indicates which keywords are acceptable. For example, `count` is acceptable.

An example of permitted use is:

```
select last, count(*) as count from MyEvent
```

This example shows an incorrect use of a reserved keyword:

```
// incorrect
select insert from MyEvent
```

The table of explicitly reserved keywords and permitted keywords:

Table C.1. Reserved Keywords

Keyword	Property Name and Rename Syntax
after	-
all	-
and	-
as	-
at	yes
asc	-
avedev	yes
avg	yes
between	-
by	-
case	-
cast	yes

Appendix C. Reserved Keywords

Keyword	Property Name and Rename Syntax
coalesce	yes
context	-
count	yes
create	-
current_timestamp	-
cube	-
dataflow	-
day	-
days	-
delete	-
define	yes
desc	-
distinct	-
else	-
end	-
escape	yes
events	yes
every	yes
exists	-
expression	-
false	yes
first	yes
for	yes
from	-
full	yes
group	-
grouping	-
grouping_id	-
having	-
hour	-
hours	-
in	-
initiated	-
inner	-

Keyword	Property Name and Rename Syntax
insert	-
instanceof	yes
into	-
irstream	-
is	-
istream	-
join	yes
last	yes
lastweekday	yes
left	yes
limit	-
like	-
max	yes
match_recognize	-
matched	-
matches	-
median	yes
measures	yes
merge	-
metadatasql	yes
min	yes
minute	yes
minutes	yes
microsecond	yes
microseconds	yes
millisecond	yes
milliseconds	yes
msec	yes
new	-
not	-
null	-
offset	-
on	-
or	-

Appendix C. Reserved Keywords

Keyword	Property Name and Rename Syntax
order	-
outer	yes
output	-
partition	-
pattern	yes
prev	yes
prior	yes
regex	-
retain-union	yes
retain-intersection	yes
right	yes
rollup	yes
rstream	-
sec	-
second	-
seconds	-
select	-
set	-
sets	-
some	-
snapshot	yes
sql	yes
start	-
stddev	yes
sum	yes
terminated	-
then	-
true	-
unidirectional	yes
until	yes
update	-
usec	yes
using	yes
variable	yes

Keyword	Property Name and Rename Syntax
values	yes
weekday	yes
when	-
where	-
while	-
window	yes

Appendix D. Event Representation: Plain-Old Java Object Events

This section provides information for using Plain-Old or Bean Java Objects to represent events.

For NEsper .NET also see [Section J.7, “.NET Object Events”](#).

D.1. Overview

Plain-old Java object events are object instances that expose event properties through JavaBeans-style getter methods. Events classes or interfaces do not have to be fully compliant to the JavaBean specification; however for the compiler to obtain event properties, the required JavaBean getter methods must be present or an accessor-style and accessor-methods may be defined via configuration.

The compiler and runtime supports JavaBeans-style event classes that extend a superclass or implement one or more interfaces.

Classes that represent events should be made immutable. As events are recordings of a state change or action that occurred in the past, the relevant event properties should not be changeable. However this is not a hard requirement and the runtime accepts events that are mutable as well.

The `hashCode` and `equals` methods do not need to be implemented. The implementation of these methods by a Java event class does not affect the behavior of the runtime in any way.

Please see [Chapter 17, Configuration](#) on options for naming event types represented by Java object event classes. Java classes that do not follow JavaBean conventions, such as legacy Java classes that expose public fields, or methods not following naming conventions, require additional configuration. Via configuration it is also possible to control case sensitivity in property name resolution. The relevant section in the chapter on configuration is [Section 17.4.3.2, “Non-JavaBean and Legacy Java Event Classes”](#).



Note

Event classes must have `public` visibility.

D.2. Java Object Event Properties

As outlined earlier, the different property types are supported by the standard JavaBeans specification, and some of which are uniquely supported by EPL:

- *Simple* properties have a single value that may be retrieved. The underlying property type might be a Java language primitive (such as `int`, a simple object (such as a `java.lang.String`), or a

more complex object whose class is defined either by the Java language, by the application, or by a class library included with the application.

- *Indexed* - An indexed property stores an ordered collection of objects (all of the same type) that can be individually accessed by an integer-valued, non-negative index (or subscript).
- *Mapped* - As an extension to standard JavaBeans APIs, EPL considers any property that accepts a String-valued key a mapped property.
- *Nested* - A nested property is a property that lives within another Java object which itself is a property of an event.

Assume there is an `NewEmployeeEvent` event class as shown below. The mapped and indexed properties in this example return Java objects but could also return Java language primitive types (such as `int` or `String`). The `Address` object and `Employee` can themselves have properties that are nested within them, such as a street name in the `Address` object or a name of the employee in the `Employee` object.

```
public class NewEmployeeEvent {
    public String getFirstName();
    public Address getAddress(String type);
    public Employee getSubordinate(int index);
    public Employee[] getAllSubordinates();
}
```

Simple event properties require a getter-method that returns the property value. In this example, the `getFirstName` getter method returns the `firstName` event property of type `String`.

Indexed event properties require either one of the following getter-methods. A method that takes an integer-type key value and returns the property value, such as the `getSubordinate` method, or a method that returns an array-type, or a class that implements `Iterable`. An example is the `getAllSubordinates` getter method, which returns an array of `Employee` but could also return an `Iterable`. In an EPL or event pattern statement, indexed properties are accessed via the `property[index]` syntax.

Mapped event properties require a getter-method that takes a String-typed key value and returns the property value, such as the `getAddress` method. In an EPL or event pattern statement, mapped properties are accessed via the `property('key')` syntax.

Nested event properties require a getter-method that returns the nesting object. The `getAddress` and `getSubordinate` methods are mapped and indexed properties that return a nesting object. In an EPL or event pattern statement, nested properties are accessed via the `property.nestedProperty` syntax.

All event pattern and statements allow the use of indexed, mapped and nested properties (or a combination of these) anywhere where one or more event property names are expected. The below example shows different combinations of indexed, mapped and nested properties in filters of event pattern expressions (each line is a separate statement):

```

every NewEmployeeEvent(firstName='myName')
every NewEmployeeEvent(address('home').streetName='Park Avenue')
every NewEmployeeEvent(subordinate[0].name='anotherName')
every NewEmployeeEvent(allSubordinates[1].name='thatName')
every      NewEmployeeEvent(subordinate[0].address('home').streetName='Water
Street')

```

Similarly, the syntax can be used in statements in all places where an event property name is expected, such as in select lists, where-clauses or join criteria.

```

select firstName, address('work'), subordinate[0].name, subordinate[1].name
from NewEmployeeEvent(address('work').streetName = 'Park Ave')

```

D.3. Property Names

Property names follows Java standards: the class `java.beans.Introspector` and method `getBeanInfo` returns the property names as derived from the name of getter methods. In addition, configuration provides a flag to turn off case-sensitive property names. A sample list of getter methods and property names is:

Table D.1. JavaBeans-Style Getter Methods and Property Names

Method	Property Name	Example
<code>getPrice()</code>	price	<code>select price from MyEvent</code>
<code>getName()</code>	NAME	<code>select NAME from MyEvent</code>
<code>getItemDesc()</code>	itemDesc	<code>select itemDesc from MyEvent</code>
<code>getQ()</code>	q	<code>select q from MyEvent</code>
<code>getQN()</code>	QN	<code>select QN from MyEvent</code>
<code>getqn()</code>	qn	<code>select qn from MyEvent</code>
<code>gets()</code>	s	<code>select s from MyEvent</code>

D.4. Parameterized Types

When your getter methods or accessor fields return a parameterized type, for example `Iterable<MyEventData>` for an indexed property or `Map<String, MyEventData>` for a mapped

property, then property expressions may refer to the properties available through the class that is the type parameter.

An example event that has properties that are parameterized types is:

```
public class NewEmployeeEvent {
    public String getName();
    public Iterable<EducationHistory> getEducation();
    public Map<String, Address> getAddresses();
}
```

A sample of valid property expressions for this event is shown next:

```
select name, education, education[0].date, addresses('home').street
from NewEmployeeEvent
```

D.5. Setter Methods for Indexed and Mapped Properties

A statement may update indexed or mapped properties of an event, provided the event class exposes the required setter method.

The setter method for indexed properties must be named `set $PropertyName$` and must take two parameters: the `int`-type index and the `Object` type new value.

The setter method for mapped properties must be named `set $PropertyName$` and must take two parameters: the `String`-type map key and the `Object` type new map value.

The following is an example event that features a setter method for the `props` mapped property and for the `array` indexed property:

```
public class MyEvent {
    private Map props = new HashMap();
    private Object[] array = new Object[10];

    public void setProps(String name, Object value) {
        props.put(name, value);
    }

    public void setArray(int index, Object value) {
        array[index] = value;
    }
    // ... also provide regular JavaBean getters and setters for all properties
}
```

This sample statement updates mapped and indexed property values:


```
update istream MyEventStream set props('key') = 'abc', array[2] = 100
```

Appendix E. Event Representation:

Events

`java.util.Map`

This section provides information for using objects that implement the `java.util.Map` interface to represent events.

For NESper .NET also see [Section J.8, “.NET IDictionary Events”](#).

E.1. Overview

Events can also be represented by objects that implement the `java.util.Map` interface. Event properties of `Map` events are the values in the map accessible through the `get` method exposed by the `java.util.Map` interface.

Similar to the Object-array event type, the Map event type takes part in the comprehensive type system that can eliminate the need to use Java classes as event types, thereby making it easier to change types at runtime or generate type information from another source.

A given Map event type can have one or more supertypes that must also be Map event types. All properties available on any of the Map supertypes are available on the type itself. In addition, anywhere within EPL that an event type name of a Map supertype is used, any of its Map subtypes and their subtypes match that expression.

After your application configures a Map event type by providing a type name, the type name can be used when defining further Map or Object-array event types by specifying the type name as a property type or an array property type.

One-to-Many relationships in Map event types are represented via arrays. A property in a Map event type may be an array of primitive, an array of Java object, an array of Map or an an array of Object-array.

The runtime can process `java.util.Map` events via the `sendEventMap(Map map, String eventName)` method on the `EPEventService` interface. Entries in the Map represent event properties. Keys must be of type `java.util.String` for the compiler to be able to look up event property names specified by statements.

The runtime does not validate Map event property names or values. Your application should ensure that objects passed in as event properties match the `create schema` property names and types, or the configured event type information when using runtime or static configuration.

E.2. Map Properties

Map event properties can be of any type. Map event properties that are Java application objects or that are of type `java.util.Map` (or arrays thereof) or that are of type `Object[]` (object-array) (or arrays thereof) offer additional power:

- Properties that are Java application objects can be queried via the nested, indexed, mapped and dynamic property syntax as outlined earlier.
- Properties that are of type `Map` allow Maps to be nested arbitrarily deep and thus can be used to represent complex domain information. The nested, indexed, mapped and dynamic property syntax can be used to query Maps within Maps and arrays of Maps within Maps.
- Properties that are of type `Object[]` (object-array) allow object-arrays to be nested arbitrarily deep. The nested, indexed, mapped and dynamic property syntax can be used to query nested Maps and object-arrays alike.

In order to use `Map` events, the event type name and property names and types must be made known to the compiler via Configuration or `create schema` EPL syntax. Please see examples in [Section 5.15, “Declaring an Event Type: Create Schema”](#) and [Section 17.4.4, “Events Represented by `java.util.Map`”](#).

The code snippet below defines a `Map` event type, creates a `Map` event and sends the event into the runtime. The sample defines the `CarLocUpdateEvent` event type via configuration (`create schema` could have been used instead).

```
// Define CarLocUpdateEvent event type
Map<String, Object> def = new HashMap<String, Object>;
def.put("carId", String.class);
def.put("direction", int.class);

Configuration configuration = new Configuration();
configuration.getCommon().addEventType("CarLocUpdateEvent", def);
```

The `CarLocUpdateEvent` can now be used in a statement:

```
select carId from CarLocUpdateEvent(direction = 1)#time(1 min)
```

```
// Create a CarLocUpdateEvent event and send it into the runtime for processing
Map<String, Object> event = new HashMap<String, Object>();
event.put("carId", carId);
event.put("direction", direction);

runtime.getEventService().sendEventMap(event, "CarLocUpdateEvent");
```

The runtime can also query Java objects as values in a `Map` event via the nested property syntax. Thus `Map` events can be used to aggregate multiple data structures into a single event and query the composite information in a convenient way. The example below demonstrates a `Map` event with a transaction and an account object.

```
Map event = new HashMap();
event.put("txn", txn);
event.put("account", account);
runtime.getEventService().sendEventMap(event, "TxnEvent");
```

An example statement could look as follows.

```
select account.id, account.rate * txn.amount
from TxnEvent#time(60 sec)
group by account.id
```

E.3. Map Supertypes

Your `Map` event type may declare one or more supertypes when configuring the type.

Supertypes of a `Map` event type must also be `Map` event types. All property names and types of a supertype are also available on a subtype and override such same-name properties of the subtype. In addition, anywhere within EPL that an event type name of a `Map` supertype is used, any of its `Map` subtypes also matches that expression (similar to the concept of interface in Java).

This example assumes that the `BaseUpdate` event type has been declared and acts as a supertype to the `AccountUpdate` event type (both `Map` event types):

```
Configuration configuration = new Configuration();
configuration.getCommon().addEventType("AccountUpdate", accountUpdateDef, new
String[] {"BaseUpdate"});
```

Your application statements may select `BaseUpdate` events and receive both `BaseUpdate` and `AccountUpdate` events, as well as any other subtypes of `BaseUpdate` and their subtypes.

```
// Receive BaseUpdate and any subtypes including subtypes of subtypes
select * from BaseUpdate
```

Your application `Map` event type may have multiple supertypes. The multiple inheritance hierarchy between `Maps` can be arbitrarily deep, however cyclic dependencies are not allowed. If using configuration, supertypes must exist before a subtype to a supertype can be added.

See [Section 17.4.4, “Events Represented by `java.util.Map`”](#) for more information on configuring `Map` event types.

E.4. Advanced Map Property Types

E.4.1. Nested Properties

Strongly-typed nested `Map-within-Map` events can be used to build rich, type-safe event types on the fly. Use the `addEventType` method on `Configuration` or the `create schema` EPL syntax.

Noteworthy points are:

- JavaBean (POJO) objects can appear as properties in `Map` event types.
- One may represent `Map-within-Map` and `Map-Array` within `Map` (same for `object-array`) using the name of a previously registered `Map` (or `object-array`) event type.
- There is no limit to the number of nesting levels.
- Dynamic properties can be used to query `Map-within-Map` keys that may not be known in advance.
- The runtime returns a `null` value for properties for which the access path into the nested structure cannot be followed where map entries do not exist.

For demonstration, in this example our top-level event type is an `AccountUpdate` event, which has an `UpdatedFieldType` structure as a property. Inside the `UpdatedFieldType` structure the example defines various fields, as well as a property by name 'history' that holds a JavaBean class `UpdateHistory` to represent the update history for the account. The code snippet to define the event type is thus:

```
Map<String, Object> updatedFieldDef = new HashMap<String, Object>();
updatedFieldDef.put("name", String.class);
updatedFieldDef.put("addressLine1", String.class);
updatedFieldDef.put("history", UpdateHistory.class);
Configuration configuration = new Configuration();
configuration.getCommon().addEventType("UpdatedFieldType", updatedFieldDef);

Map<String, Object> accountUpdateDef = new HashMap<String, Object>();
accountUpdateDef.put("accountId", long.class);
accountUpdateDef.put("fields", "UpdatedFieldType");
// the latter can also be: accountUpdateDef.put("fields", updatedFieldDef);

configuration.getCommon().addEventType("AccountUpdate", accountUpdateDef);
```

The next code snippet populates a sample event and sends the event into the runtime:

```
Map<String, Object> updatedField = new HashMap<String, Object>();
updatedField.put("name", "Joe Doe");
updatedField.put("addressLine1", "40 Popular Street");
updatedField.put("history", new UpdateHistory());
```

```
Map<String, Object> accountUpdate = new HashMap<String, Object>();
accountUpdate.put("accountId", 10009901);
accountUpdate.put("fields", updatedField);

runtime.getEventService().sendEventMap(accountUpdate, "AccountUpdate");
```

Last, a sample statement to interrogate `AccountUpdate` events is as follows:

```
select accountId, fields.name, fields.addressLine1, fields.history.lastUpdate
from AccountUpdate
```

E.4.2. One-to-Many Relationships

To model repeated properties within a Map, you may use arrays as properties in a Map. You may use an array of primitive types or an array of JavaBean objects or an array of a previously declared Map or object-array event type.

When using a previously declared Map event type as an array property, the literal `[]` must be appended after the event type name.

This following example defines a Map event type by name `sale` to hold array properties of the various types. It assumes a `SalesPerson` Java class exists and a Map event type by name `OrderItem` was declared:

```
Map<String, Object> sale = new HashMap<String, Object>();
sale.put("userids", int[].class);
sale.put("salesPersons", SalesPerson[].class);
sale.put("items", "OrderItem[]"); // The property type is the name itself
    appended by []

Configuration configuration = new Configuration();
configuration.getCommon().addEventType("SaleEvent", sale);
```

The three properties that the above example declares are:

- An integer array of user ids.
- An array of `SalesPerson` Java objects.
- An array of Maps for order items.

The next statement is a sample statement asking for property values held by arrays:

```
select userids[0], salesPersons[1].name,
```

```
items[1], items[1].price.amount from SaleEvent
```

Appendix F. Event Representation: Object-Array (`Object[]`) Events

This section provides information for using Object-array (`Object[]`) to represent events.

F.1. Overview

An event can also be represented by an array of objects. Event properties of `Object[]` events are the array element values.

Similar to the Map event type, the object-array event type takes part in the comprehensive type system that can eliminate the need to use Java classes as event types.

A given Object-array event type can have only a single supertype that must also be an Object-array event type. All properties available on the Object-array supertype is also available on the type itself. In addition, anywhere within EPL that an event type name of an Object-array supertype is used, any of its Object-array subtypes and their subtypes match that expression.

After your application configures an Object-array event type by providing a type name, the type name can be used when defining further Object-array or Map event types by specifying the type name as a property type or an array property type.

One-to-Many relationships in Object-array event types are represented via arrays. A property in an Object-array event type may be an array of primitive, an array of Java object, an array of Map or an array of Object-array.

The runtime can process `Object[]` events via the `sendEventObjectArray(Object[] array, String eventName)` method on the `EPEventService` interface. Entries in the Object array represent event properties.

The runtime does not validate Object array length or value types. Your application must ensure that Object array values match the declaration of the event type: The type and position of property values must match property names and types in the same exact order and object array length must match the number of properties declared via `create schema` or configuration.

F.2. Object-Array Properties

Object-array event properties can be of any type. Object-array event properties that are Java application objects or that are of type `java.util.Map` (or arrays thereof) or that are of type `Object-array` (or arrays thereof) offer additional power:

- Properties that are Java application objects can be queried via the nested, indexed, mapped and dynamic property syntax as outlined earlier.
- Properties that are of type `Object[]` allow object-arrays to be nested arbitrarily deep and thus can be used to represent complex domain information. The nested, indexed, mapped and

dynamic property syntax can be used to query object-array within object-arrays and arrays of object-arrays within object-arrays.

- Properties that are of type `Map` allow Maps to be nested in object-array events and arbitrarily deep. The nested, indexed, mapped and dynamic property syntax can be used to query nested Maps and object-arrays alike.

In order to use `Object[]` (object-array) events, the event type name and property names and types, in a well-defined order that must match object-array event properties, must be made known to the compiler via configuration or `create schema` EPL syntax. Please see examples in [Section 5.15, “Declaring an Event Type: Create Schema”](#) and [Section 17.4.5, “Events Represented by Object\[\] \(Object-array\)”](#).

The code snippet below defines an Object-array event type, creates an Object-array event and sends the event into the runtime. The sample defines the `CarLocUpdateEvent` event type via configuration (`create schema` could have been used instead).

```
// Define CarLocUpdateEvent event type (example for configuration API)
String[] propertyNames = {"carId", "direction"}; // order is important
Object[] propertyTypes = {String.class, int.class}; // type order matches name
order

Configuration configuration = new Configuration();
configuration.getCommon().addEventType("CarLocUpdateEvent", propertyNames,
propertyTypes);
```

The `CarLocUpdateEvent` can now be used in a statement:

```
select carId from CarLocUpdateEvent(direction = 1)#time(1 min)
```

```
// Send an event
Object[] event = {carId, direction};
runtime.getEventService().sendEventObjectArray(event, "CarLocUpdateEvent");
```

The runtime can also query Java objects as values in an `Object[]` event via the nested property syntax. Thus `Object[]` events can be used to aggregate multiple data structures into a single event and query the composite information in a convenient way. The example below demonstrates a `Object[]` event with a transaction and an account object.

```
runtime.getEventService().sendEventObjectArray(new Object[] {txn, account},
"TxnEvent");
```

An example statement could look as follows:

```
select account.id, account.rate * txn.amount
from TxnEvent#time(60 sec)
group by account.id
```

F.3. Object-Array Supertype

Your `Object[]` (object-array) event type may declare one supertype when configuring the type.

The supertype of a `Object[]` event type must also be an object-array event type. All property names and types of a supertype are also available on a subtype and override such same-name properties of the subtype. In addition, anywhere within EPL that an event type name of an Object-array supertype is used, any of its Object-array subtypes also matches that expression (similar to the concept of interface or superclass).

The properties provided by the top-most supertype must occur first in the object array. Subtypes each append to the object array. The number of values appended must match the number of properties declared by the subtype.

For example, assume your application declares the following two types:

```
create objectarray schema SuperType (p0 string)
```

```
create objectarray schema SubType (p1 string) inherits SuperType
```

The object array event objects that your application can send into the runtime are shown by the next code snippet:

```
runtime.getEventService().sendEventObjectArray(new Object[] { "p0_value",
    "p1_value"}, "SubType");
runtime.getEventService().sendEventObjectArray(new Object[] { "p0_value"},
    "SuperType");
```

F.4. Advanced Object-Array Property Types

F.4.1. Nested Properties

Strongly-typed nested `Object[]-within-Object[]` events can be used to build rich, type-safe event types on the fly. Use the `addEventType` method on `Configuration` or the `create schema` EPL syntax.

Noteworthy points are:

- JavaBean (POJO) objects can appear as properties in `Object[]` event types.
- One may represent Object-array within Object-array and Object-Array-Array within Object-array (same for Map event types) using the name of a previously registered Object-array (or Map) event type.
- There is no limit to the number of nesting levels.
- Dynamic properties can be used to query `Object[]`-within-`Object[]` values that may not be known in advance.
- The runtime returns a `null` value for properties for which the access path into the nested structure cannot be followed where entries do not exist.

For demonstration, in this example our top-level event type is an `AccountUpdate` event, which has an `UpdatedFieldType` structure as a property. Inside the `UpdatedFieldType` structure the example defines various fields, as well as a property by name 'history' that holds a JavaBean class `UpdateHistory` to represent the update history for the account. The code snippet to define the event type is thus:

```
String[] propertyNamesUpdField = {"name", "addressLine1", "history"};
Object[] propertyTypesUpdField = {String.class, String.class,
    UpdateHistory.class};

Configuration configuration = new Configuration();
configuration.getCommon().addEventType("UpdatedFieldType",
    propertyNamesUpdField, propertyTypesUpdField);

String[] propertyNamesAccountUpdate = {"accountId", "fields"};
Object[] propertyTypesAccountUpdate = {long.class, "UpdatedFieldType"};
configuration.getCommon().addEventType("AccountUpdate",
    propertyNamesAccountUpdate, propertyTypesAccountUpdate);
```

The next code snippet populates a sample event and sends the event into the runtime:

```
Object[] updatedField = {"Joe Doe", "40 Popular Street", new UpdateHistory()};
Object[] accountUpdate = {10009901, updatedField};

runtime.getEventService().sendEventObjectArray(accountUpdate, "AccountUpdate");
```

Last, a sample statement to interrogate `AccountUpdate` events is as follows:

```
select accountId, fields.name, fields.addressLine1, fields.history.lastUpdate
from AccountUpdate
```

F.4.2. One-to-Many Relationships

To model repeated properties within an Object-array, you may use arrays as properties in an Object-array. You may use an array of primitive types or an array of JavaBean objects or an array of a previously declared Object-array or Map event type.

When using a previously declared Object-array event type as an array property, the literal [] must be appended after the event type name.

This following example defines an Object-array event type by name `sale` to hold array properties of the various types. It assumes a `SalesPerson` Java class exists and an Object-array event type by name `OrderItem` was declared:

```
String[] propertyNames = {"userids", "salesPersons", "items"};
Object[] propertyTypes = {int[].class, SalesPerson[].class, "OrderItem[]"};

Configuration configuration = new Configuration();
configuration.getCommon().addEventType("SaleEvent", propertyNames,
    propertyTypes);
```

The three properties that the above example declares are:

- An integer array of user ids.
- An array of `SalesPerson` Java objects.
- An array of Object-array for order items.

The next statement is a sample statement asking for property values held by arrays:

```
select userids[0], salesPersons[1].name,
    items[1], items[1].price.amount from SaleEvent
```

Appendix G. Event Representation: JSON Events

This section provides information for using JSON to represent events.

G.1. Overview

An event can be represented by a JSON-formatted string value. Event properties of JSON events are the properties of the JSON object.

The advantages for supporting JSON as an event representation are:

- JSON is easy, reliable, and fast and is often used for serializing and transmitting structured data. JSON has bindings for a wide variety of programming languages and platforms and has RPC and file representations.
- At time of EPL compilation, the Esper EPL compiler produces a high performance JSON parser for the specific JSON event type, achieving excellent parsing performance.
- At time of EPL compilation, the Esper EPL compiler produces an internal representation of the JSON event type properties that supports high read speeds of property values without the need for document traversal, and that is memory-efficient.

Similar to the Map and object-array event type, the JSON event type takes part in the comprehensive type system that can eliminate the need to use Java classes as event types.

The runtime can process string-value events that are formatted JSON documents via the `sendEventJson(String json, String jsonEventTypeName)` method on the `EPEventService` interface.

The runtime does not validate JSON events. Your application must ensure that the JSON object matches the declaration of the schema in `create json schema`.

A given JSON event type can have only a single supertype that must also be a JSON event type. All properties available on the JSON supertype are also available on the type itself. In addition, anywhere within EPL that an event type name of a JSON supertype is used, the JSON subtype and the subtype of the subtype match that expression.

The Esper JSON parser produces an event object that is available to your application. The event object implements the `JsonEventObject` interface (package `com.espertech.esper.common.client.json.util`). The `JsonEventObject` extends `Map<String, Object>` allowing you to use event objects that are originating from JSON like any map.

G.2. JSON Event Type

In order to use JSON for incoming events, the event type name and JSON schema, if available, must be made known via the `create json schema` EPL syntax. Please see examples in [Section 5.15, “Declaring an Event Type: Create Schema”](#).

In the case that you don't want to define fields using EPL `create json schema`, you may specify an application class that provides the JSON schema. Please refer to [Section G.10, “Customizing the JSON Event Class”](#).



Note

- JSON event types must be defined in EPL using `create json schema`. JSON event types cannot be pre-configured.
- If you don't know some or all of the event properties in advance, please follow the instructions in [Section G.6, “JSON Dynamic Event Properties”](#).

The code snippets below define a JSON event type, create a JSON event and send the event into the runtime. The sample defines the `CarLocUpdateEvent` event type. The `@public` means the event type has public visibility and the `@buseventtype` means your application can use `sendEventJson` for this event type.

```
@public @buseventtype create json schema CarLocUpdateEvent(carId string,
direction int)
```

The `CarLocUpdateEvent` can now be used in a statement:

```
select count(*) from CarLocUpdateEvent(direction = 1)#time(1 min)
```

The sample code to send an event is:

```
String event = "{" +
    "  \"carId\" : \"A123456\", \n" +
    "  \"direction\" : 1\n" +
    "}";
runtime.getEventService().sendEventJson(event, "CarLocUpdateEvent");
```


G.3. JSON Object Nesting

JSON allows objects to be nested within other objects. Each JSON object may itself contain further JSON objects or arrays of JSON objects.

For example, consider the following JSON document:

```
{
  "isbn": "123-456-222",
  "author":
    {
      "lastname": "Doe",
      "firstname": "Jane"
    },
  "editor":
    {
      "lastname": "Smith",
      "firstname": "Jane"
    },
  "title": "The Ultimate Database Study Guide",
  "category": ["Non-Fiction", "Technology"]
}
```

The `author` and `editor` objects are nested objects. Please define the schema for nested objects first, and the schemas that are building on the nested schemas thereafter.

Define the schemas as follows:

```
create json schema Names(lastname string, firstname string);
@public @buseventtype create json schema BookEvent(isbn string, author Names,
  editor Names, title string, category string[]);
```

This sample EPL outputs the isbn and the last name of the author and the editor, as well as the first category (use `sendEventJson(json, "BookEvent")` to process the document):

```
select isbn, author.lastname as authorName, editor.lastname as editorName,
  category[0] as firstCategory from BookEvent
```

The next example JSON document is meant to demonstrate nested objects and arrays of objects:

```
{
  "id": "0001",
  "type": "donut",
```

```
"name": "Cake",
"batters":
{
  "machine": "machine A",
  "batter":
  [
    { "id": "1001", "type": "Regular" },
    { "id": "1002", "type": "Chocolate" },
    { "id": "1003", "type": "Blueberry" },
    { "id": "1004", "type": "Devil's Food" }
  ]
},
"topping":
[
  { "id": "5001", "type": "None" },
  { "id": "5002", "type": "Glazed" },
  { "id": "5005", "type": "Sugar" },
  { "id": "5007", "type": "Powdered Sugar" }
]
}
```

Define the schemas as follows:

```
create json schema IdAndType(id string, type string);
create json schema Batters(machine string, batter IdAndType[]);
@public @buseventtype create json schema CakeEvent(id string, type string, name
string, batters Batters, topping IdAndType[]);
```

The following EPL outputs the name, the batter machine, type of the first batter and the type of the first topping, the count of batters, and the count of toppings of cake events (use `sendEventJson(json, "CakeEvent")` to process the document):

```
select name, batters.machine as batterMachine, batters.batter[0].type as
firstBatterType,
topping[0].type as firstToppingType, batters.batter.countOf() as countBatters,
topping.countOf() as countToppings from CakeEvent
```

G.4. JSON Supported Types

The `create json schema` EPL specifies the name and type of each event property. The `create json schema` may also specify no event properties or only a subset of all available event properties. When there are JSON properties that are not known at time of compilation, please see [Section G.6, "JSON Dynamic Event Properties"](#).

The table below shows the supported types and provides links to more information. Types not listed below are not supported for use with a JSON event type.

Table G.1. Support JSON Event Property Types

Type	More Information
Application-provided class	See Section G.5, “JSON Application-Provided Class”
bigdecimal, java.math.BigDecimal	Numeric type parsed by <code>new BigDecimal</code> ; See Section G.4.1, “Numeric Types”
biginteger, java.math.BigInteger	Numeric type parsed by <code>new BigInteger</code> ; See Section G.4.1, “Numeric Types”
byte, java.lang.Byte	Numeric type parsed by <code>Byte.parseByte</code> ; See Section G.4.1, “Numeric Types”
boolean, java.lang.Boolean	See Section G.4.2, “Boolean Type”
double, java.lang.Double	Numeric type parsed by <code>Double.parseDouble</code> ; See Section G.4.1, “Numeric Types”
float, java.lang.Float	Numeric type parsed by <code>Float.parseFloat</code> ; See Section G.4.1, “Numeric Types”
int, java.lang.Integer	Numeric type parsed by <code>Integer.parseInt</code> ; See Section G.4.1, “Numeric Types”
long, java.lang.Long	Numeric type parsed by <code>Long.parseLong</code> ; See Section G.4.1, “Numeric Types”
null	No parsing, a value that is always null.
short, java.lang.Short	Numeric type parsed by <code>Short.parseShort</code> ; See Section G.4.1, “Numeric Types”
string, java.lang.String, char, java.lang.Character	See Section G.4.3, “String Type”
java.util.Map	Represents any untyped JSON object. See Section G.4.4, “Map Type for Holding an Untyped JSON Object”
Object[]	Represents any untyped JSON array. See Section G.4.5, “Object-Array Type for Holding an Untyped JSON Array”
Object	Represents any untyped JSON value. See Section G.4.6, “Object Type for Holding an Untyped JSON Value (Any JSON Value)”
java.net.URI	As parsed by <code>new URI(...)</code>
java.net.URL	As parsed by <code>new URL(...)</code>
java.time.LocalDate	As parsed by <code>LocalDate.parse</code>

Type	More Information
java.time.LocalDateTime	As parsed by <code>LocalDateTime.parse</code>
java.time.OffsetDateTime	As parsed by <code>OffsetDateTime.parse</code>
java.time.ZonedDateTime	As parsed by <code>ZonedDateTime.parse</code>
java.util.UUID	As parsed by <code>UUID.fromString</code>

G.4.1. Numeric Types

The JSON parser uses the respective parse method of the relevant JVM type (see JavaDoc) as listed in the above table, e.g. `Integer.parseInt` for integer. If the value cannot be parsed it produces an exception. The parser allows both numeric and string value JSON text for all numeric types. The event property type is always a boxed type (except for arrays).

To illustrate, assume the following schema:

```
@public @buseventtype create json schema MyEvent(intValue int)
```

Here are some sample JSON documents:

Table G.2. Sample JSON Documents With an Integer-Type Value

Sample JSON	Result
<code>{ "intValue": 1 }</code>	Event has an <code>intValue</code> value of 1
<code>{ "intValue": "2" }</code>	Event has an <code>intValue</code> value of 2 (allows string values)
<code>{ "intValue": null }</code>	Event has an <code>intValue</code> value of null
<code>{}</code>	Event has an <code>intValue</code> value of null
<code>{ "intValue": "some text" }</code>	JSON parser exception
<code>{ "intValue" : ...anything but above, such as JSON array or JSON object... }</code>	Event has an <code>intValue</code> value of null

G.4.2. Boolean Type

The JSON parser parses `true` and `false`, as well as string-type `"true"` and `"false"`. The event property type is always `Boolean` (except for arrays of primitive boolean).

For instance, assume the following schema:

```
@public @buseventtype create json schema MyEvent(booleanValue boolean)
```

A few sample JSON documents are listed below.

Table G.3. Sample JSON Documents With a Boolean-Type Value

Sample JSON	Result
<code>{ "booleanValue": true }</code>	Event has a <code>booleanValue</code> value of <code>true</code>
<code>{ "booleanValue": false }</code>	Event has a <code>booleanValue</code> value of <code>false</code>
<code>{ "booleanValue": "true" }</code>	Event has a <code>booleanValue</code> value of <code>true</code> (allows string 'true')
<code>{ "booleanValue": "false" }</code>	Event has a <code>booleanValue</code> value of <code>false</code> (allows string 'false')
<code>{ "booleanValue": null }</code>	Event has a <code>booleanValue</code> value of <code>null</code>
<code>{}</code>	Event has a <code>booleanValue</code> value of <code>null</code>
<code>{ "booleanValue": "some text" }</code>	JSON parser exception
<code>{ "booleanValue" : ...anything but above, such as JSON array or JSON object... }</code>	Event has an <code>booleanValue</code> value of <code>null</code>

G.4.3. String Type

The JSON parser takes any string-type, number-type or boolean-type value. For character-typed values the JSON parser obtains the first character if available.

Let's say the schema is as follows:

```
@public @buseventtype create json schema MyEvent(stringValue string)
```

To show the behavior the example JSON is:

Table G.4. Sample JSON Documents With a String-Type Value

Sample JSON	Result
<pre>{ "stringValue": "abc" }</pre>	Event has a stringValue value of "abc"
<pre>{ "stringValue": 1 }</pre>	Event has a stringValue value of "1" (allows numbers)
<pre>{ "stringValue": false }</pre>	Event has a stringValue value of "false" (allows boolean)
<pre>{ "stringValue": null }</pre>	Event has a stringValue value of null
<pre>{ }</pre>	Event has a stringValue value of null
<pre>{ "stringValue" : ...anything but above, such as JSON array or JSON object... }</pre>	Event has an stringValue value of null

G.4.4. Map Type for Holding an Untyped JSON Object

The JSON parser, when it encounters a JSON object for the same name, populates a `Map<String, Object>` that contains the JSON object properties and their nested values (deep). The parser ignores any other JSON value type than object.

The `Map<String, Object>` that the parser produces adheres to the type rules for dynamic properties below.

Define a schema like this one:

```
@public @buseventtype create json schema MyEvent(jsonObject java.util.Map)
```

The next table has sample JSON documents.

Table G.5. Sample JSON Documents With a Untyped JSON Object

Sample JSON	Result
<pre>{ "jsonObject": {} }</pre>	Event has a <code>jsonObject</code> value that is an empty map
<pre>{ "jsonObject": { "property-one": 1, "property-two": "abc" } }</pre>	Event has a <code>jsonObject</code> map-type value that has two entries: key <code>propertyOne</code> with value 1 (an integer) and key <code>propertyTwo</code> with value <code>abc</code> (a string)
<pre>{ "jsonObject": null }</pre>	Event has a <code>jsonObject</code> value of <code>null</code>
<pre>{ }</pre>	Event has a <code>jsonObject</code> value of <code>null</code>
<pre>{ "jsonObject" : ...anything but an object... }</pre>	Event has a <code>jsonObject</code> value of <code>null</code>

G.4.5. Object-Array Type for Holding an Untyped JSON Array

The JSON parser, when it encounters a JSON array for the same name, populates an object-array `Object[]` that contains the JSON array values and their nested values (deep). The parser ignores any other JSON value type than array.

The `Object[]` that the parser produces adheres to the rules for dynamic properties below.

Define a schema like this one:

```
@public @buseventtype create json schema MyEvent(jsonArray Object[])
```

The sample JSON documents are listed below.

Table G.6. Sample JSON Documents With an Untyped Array

Sample JSON	Result
<pre>{ "jsonArray": [] }</pre>	Event has a <code>jsonArray</code> value that is an empty array
<pre>{ "jsonArray": ["value-one", 1] }</pre>	Event has a <code>jsonArray</code> value object-array <code>Object[]</code> -type value that has two values: The string <code>value-one</code> and the integer 1

Sample JSON	Result
<pre>{ "jsonArray": null }</pre>	Event has a <code>jsonArray</code> value of <code>null</code>
<pre>{}</pre>	Event has a <code>jsonArray</code> value of <code>null</code>
<pre>{ "jsonArray" : ...anything but an array... }</pre>	Event has a <code>jsonArray</code> value of <code>null</code>

G.4.6. Object Type for Holding an Untyped JSON Value (Any JSON Value)

The JSON parser, when it encounters any JSON value for the same name, provides the value as an object `Object` that contains the JSON value and its nested values (deep).

The `Object` that the parser produces adheres to the rules for dynamic properties below, e.g. `Map<String, Object>` for JSON objects, `Object[]` for JSON arrays and other object values for the types as listed.

Define a schema like this one:

```
@public @buseventtype create json schema MyEvent(jsonValue Object)
```

The JSON documents for example cases are:

Table G.7. Sample JSON Documents with an Untyped Value

Sample JSON	Result
<pre>{ "jsonValue": {} }</pre>	Event has a <code>jsonValue</code> value that is an empty map of type <code>Map<String, Object></code>
<pre>{ "jsonValue": { "property-one": 1, "property-two": "abc" } }</pre>	Event has a <code>jsonValue</code> map-type value that has two entries: key <code>propertyOne</code> with value 1 (an integer) and key <code>propertyTwo</code> with value <code>abc</code> (a string)
<pre>{ "jsonValue": [] }</pre>	Event has a <code>jsonValue</code> value that is an empty object-array of type <code>Object[]</code>
<pre>{ "jsonValue": ["value-one", 1] }</pre>	Event has a <code>jsonValue</code> object-array <code>Object[]</code> -type value that has two values: The string <code>value-one</code> and the integer 1

Sample JSON	Result
<code>{ "jsonValue": 1 }</code>	Event has a <code>jsonValue</code> value of 1 (an integer)
<code>{ "jsonValue": "abc" }</code>	Event has a <code>jsonValue</code> value of abc (a string)
<code>{ "jsonValue": true }</code>	Event has a <code>jsonValue</code> value of true (a boolean)
<code>{ "jsonValue": null }</code>	Event has a <code>jsonValue</code> value of null
<code>{}</code>	Event has a <code>jsonValue</code> value of null

G.5. JSON Application-Provided Class

G.5.1. Class with Public Fields

Your application may provide a class that has public fields and a default constructor. The EPL compiler inspects the class and determines the parser and serialization for the class according to the types listed in [Section G.4, “JSON Supported Types”](#) and described herein.

In the case that you don't want to define fields using EPL `create json schema`, you specify an application class that provides the JSON schema. See [Section G.10, “Customizing the JSON Event Class”](#) instead.

To illustrate, the below class has two fields that hold a string-type name and UUID-type id:

```
public class Person {
    public String name;
    public UUID id;
}
```

The schema shown next has a `person` event property of type `Person` (below example assumes the class is part of the imports; Or specify the fully-qualified class name).

```
@public @buseventtype create json schema MyEvent(person Person)
```

A sample JSON document is:

```
{
  "person": {
    "name": "Joe",
    "id": "ff362753-b20d-4a9f-9144-93919cb12442"
  }
}
```

The JSON parser supports, in addition to all types discussed earlier, the following:

- List of application class or other type. For example: `public List<Person> persons.`
- One-dimensional and two-dimensional arrays. For example: `public Person[] persons` or `public Person[][] personMatrix.`
- For customizing parsing of strings see [Section G.9, “Customizing JSON Serializing and Deserializing”](#).

G.5.2. Application-Provided Enumeration Type

The JSON parser takes the JSON value and invokes the `valueOf` method of the enum class, allowing string and number values and returning null for JSON boolean, array or object values.

Let's say the schema is as follows:

```
@public      @buseventtype      create      json      schema      MyEvent(enumValue
my.company.package.EnumClass)
```

To show the behavior the example JSON is:

Table G.8. Sample JSON Documents With a Enum-Type Value

Sample JSON	Result
<code>{ "enumValue": "enum_1" }</code>	Event has an <code>enumValue</code> value that is <code>EnumClass.valueOf("enum_1")</code>
<code>{ "enumValue": null }</code>	Event has an <code>enumValue</code> value of null
<code>{ "enumValue": 1 }</code>	Event has an <code>enumValue</code> value that is <code>EnumClass.valueOf("1")</code>
<code>{ "enumValue": false }</code>	Event has an <code>enumValue</code> value of null

Sample JSON	Result
<pre>{}</pre>	Event has an enumValue value of null
<pre>{ "enumValue" : ...anything but a value... }</pre>	Event has an enumValue value of null

G.6. JSON Dynamic Event Properties

The event properties that are known in advance can be listed as part of `create json schema`. Since the name and type is known the EPL compiler can verify EPL statements that use the predefined properties in expressions. See [Section G.4, “JSON Supported Types”](#).

Event properties for which the property name is known but the type is not known can be defined as one of the untyped types `Object` (for any JSON value), `Object[]` (for any JSON array) or `Map` (for any JSON object) which will provide nested values, arrays and objects; As for instance described at [Section G.4.6, “Object Type for Holding an Untyped JSON Value \(Any JSON Value\)”](#).



Note

By default, the JSON parser discards JSON properties whose property name does not match a property name in `create schema`.

You must use the `@JsonSchema(dynamic=true)` to instruct the EPL compiler to not discard JSON properties.

Add `@JsonSchema(dynamic=true)` to `create schema` so that the JSON parser parses and the event object keeps all properties available in the JSON document.

The EPL dynamic properties allow using properties in expressions that are not predefined. Please refer to [Section 3.3, “Dynamic Event Properties”](#). The dynamic JSON properties are also available in the `JsonEventObject` event object for use by application code.

The following table outlines the object type for each JSON value:

Table G.9. JSON Value Types to Object Type Mapping

JSON Value Type	Object Type
JSON String	String
JSON Number	Integer value returned by <code>Integer.parseInt</code> or the double value returned by <code>Double.parseDouble</code>

JSON Value Type	Object Type
JSON Boolean	Boolean
JSON Null	null
JSON Object	Map<String, Object>
JSON Array	Object[]

The next EPL creates an empty schema for sensor events:

```
@JsonSchema(dynamic=true) @public @buseventtype create json schema SensorEvent()
```

The sample JSON document is (use `sendEventJson(json, "SensorEvent")` to process the document):

```
{
  "entityID":"cd9f930e",
  "temperature" : 70,
  "status" : true,
  "entityName":{
    "english":"Cooling Water Temperature"
  },
  "vt":["2014-08-20T15:30:23.524Z"],
  "flags" : null
}
```

You can use dynamic properties to query the events. Specifically here is EPL to retrieve the properties:

```
select entityID? as entityId, temperature? as temperature, status? as status,
       entityName? as entityName, vt? as vt, flags? as flags from SensorEvent
```

The output event for this example is:

Table G.10. Empty JSON Schema Sample Output Event

Name	Type	Value
entityId	String	"cd9f930e"
temperature	Integer	70
status	Boolean	true
entityName	map	Map<String, Object> containing a single entry

Name	Type	Value
		for key <code>english</code> and string-type value <code>Cooling Water Temperature</code>
<code>vt</code>	<code>Object[]</code>	Array with a single string-type value <code>2014-08-20T15:30:23.524Z</code>
<code>flags</code>	<code>null</code>	<code>null</code>

Use the dot (`'.'`) to obtain the value of nested dynamic properties. For example:

```
select entityName?.english as englishEntityName from SensorEvent
```

Use `select *` to obtain the `JsonEventObject` object itself (use `getUnderlying()` for listeners receiving `EventBean`). For example:

```
select * as englishEntityName from SensorEvent
```

You may use `@JsonSchema(dynamic=true)` together with predefined properties. For example:

```
@JsonSchema(dynamic=true) @public @buseventtype create json schema
SensorEvent(entityID string)
```

G.7. API for Parsing JSON Documents

Esper provides an API to parse the JSON text without processing the event. This is done by following these steps:

1. Define the event type schema or schemas. The event type must have public visibility and bus event type visibility.
2. Obtain an `EventSenderJson` instance for the event type.
3. Invoke the `parse` method on the sender, which returns the populated event object.

For instance, the below EPL declares the `CarLocUpdateEvent` event type:

```
@public @buseventtype create json schema CarLocUpdateEvent(carId string,
direction int)
```

Obtain the `EventSenderJson` like so:

```
EventSenderJson sender = (EventSenderJson)
runtime.getEventService().getEventSender("CarLocUpdateEvent");
```

The `parse` method returns the populated event object.

```
JsonEventObject eventObject = sender.parse(json);
```

The returned object implements the `JsonEventObject` interface which extends `Map<String, Object>`. The interface provides additional methods for writing JSON. Please see the JavaDoc for more information.

G.8. API for Building JSON Documents

Esper includes a shaded copy of the `MinimalJson` library in package `com.espertech.esper.common.client.json.minimaljson` (MIT license, see <https://github.com/ralfstx/minimal-json/blob/master/LICENSE>). `MinimalJson` provides the base parser. The Esper EPL compiler generates a specific JSON parser class that internally uses `MinimalJson`.

`MinimalJson` allows your application to build JSON text using the API. Please consult the JavaDoc for more information. A short example is provided below:

```
JsonObject jsonObject = new JsonObject().add("carId",
"A123456").add("direction", 1);
String json = jsonObject.toString();
```

G.9. Customizing JSON Serializing and Deserializing

Use the `@JsonSchemaField` annotation to customize how the runtime deserializes (parses from JSON) a given event property and serializes (writes as JSON) a given event property.

The `@JsonSchemaField` annotation can be used with `create json schema` and also applies to `@EventRepresentation('json')` for use with `insert into` or `create window`.

The name value of `@JsonSchemaField` provides the event property name. The adapter property provides the class name of the class that implements the `JsonFieldAdapterString` interface. The adapter class must have a default constructor and must implement the `T parse(String value)` and `void write(T value, JsonWriter writer)` throws `IOException` methods.



Note

The adapter implementation must be thread-safe and the runtime may reuse the same adapter instance.

Assume a JSON document that has a date-type field formatted as `dd-M-yyyy`. The sample JSON schema is below. Assume that the `MyDateJSONParser` class was added to imports. You may specify the fully-qualified class name instead, i.e. `adapter='com.mycompany.MyDateJSONParser'`.

Here is the sample EPL:

```
@JsonSchemaField(name=myDate, adapter=MyDateJSONParser)
create json schema JsonEvent(myDate Date)
```

A basic JSON document is:

```
{"myDate" : "22-09-2018"}
```

The class below is a sample parser and writer for date values:

```
public class MyDateJSONParser implements JsonFieldAdapterString<Date> {
    public Date parse(String value) {
        try {
            return value == null ? null : new SimpleDateFormat("dd-M-yyyy").parse(value);
        } catch (ParseException e) {
            throw new EPEException("Failed to parse: " + e.getMessage(), e);
        }
    }
}

public void write(Date value, JsonWriter writer) throws IOException {
    if (value == null) {
        writer.writeLiteral("null");
        return;
    }
    writer.writeString(new SimpleDateFormat("dd-M-yyyy").format(value));
}
}
```

G.10. Customizing the JSON Event Class

Instead of providing event property names and types as part of EPL `create json schema`, you may specify an application class that provides public fields instead. You must provide the class name in the `classname` annotation value of the `JsonSchema` annotation.

Assume there is a predefined person event class that has two fields that hold a string-type name and UUID-type id:

```
public class PersonEvent {
    public String name;
    public UUID id;
}
```

This example declares the JSON person event to point to the `PersonEvent` as the event object (below example assumes the class is part of the imports; Or specify the fully-qualified class name).

```
@public @buseventtype @JsonSchema(classname='PersonEvent') create json schema
JSONPersonEvent()
```

A sample JSON document is:

```
{
  "name": "Joe",
  "id": "ff362753-b20d-4a9f-9144-93919cb12442"
}
```

Please also see [Section G.5, “JSON Application-Provided Class”](#) for application class support and [Section G.4, “JSON Supported Types”](#) for type information.

By specifying an application class, you may not:

- Define additional fields for the schema that don't have the same name and type as provided by the application class.
- Define a supertype for the event type.
- Use the `dynamic` flag.

G.11. Limitations

The following limitations apply:

1. A JSON event bean cannot contain `EventBean` instances.
2. While the EPL compiler performs best-effort assignment checking and widening, it does not actually itself verify that the JSON contains valid data, for both production of JSON and consumption of JSON.
3. There is no API that maps a JSON document to your own application class. For that task please consider using Jackson (<https://github.com/FasterXML/jackson>) or Gson (<https://github.com/google/gson>).
4. The JSON parser, when encountering duplicate property names, uses the last value as the final value.

Appendix H. Event Representation:

Avro Events (`org.apache.avro.generic.GenericData.Record`)

This section provides information for using Avro to represent events.

H.1. Overview

An event can be represented by an Avro `GenericData.Record` instance. Event properties of Avro events are the field values of a `GenericData.Record`. The top level schema must always be a record.

The advantages for supporting Avro as an event representation are:

- Avro has excellent support for JSON, allowing JSON for incoming and outgoing events, while not compromising on type-safety since Avro provides a schema.
- Avro has rich, extensible, standardized schema language defined in pure JSON; event types / schemas can be defined/imported/exported with EPL or from external sources.
- Avro offers a compact binary representation and is thus efficient and fast for use with EsperHA persistence or for input/output in wire transfer.
- Avro has a compact event representation reducing memory use, as each event is only a schema-reference and an `Object[]` (see `GenericData.Record`).
- JSON itself is not memory efficient while Avro is: JSON repeats every field name with every single record and JSON alone is inefficient for high-volume usage.
- Avro allows fast access to event properties since reading an event property value only requires reading the `GenericData.Record`-internal object-array at a given index.
- Avro has bindings for a wide variety of programming languages and platforms and has RPC and file representations.
- Avro does not require code generation so EPL can be written generically for any data stream. Type information can be made available at runtime while still providing type-safety. There is no need to generate code, therefore there is no need to manage generated classes, or to reload classes or to restart the process to reload classes.
- Avro has the notion of schema compatibility for evolving your event data over time.

Similar to the Map and object-array event type, the Avro event type takes part in the comprehensive type system that can eliminate the need to use Java classes as event types.

The runtime can process Avro's `GenericData.Record` events via the `sendEventAvro(Object avroGenericDataDotRecord, String avroEventTypeName)` method on the `EPEventService` interface.

The runtime does not validate Avro events. Your application must ensure that Avro values match the declaration of the schema and that the schema of the event matches the schema declared for the event type of the event.

A given Avro event type can have only a single supertype that must also be an Avro event type. All properties available on the Avro supertype is also available on the type itself. In addition, anywhere within EPL that an event type name of an Avro supertype is used, the Avro subtype and the subtype of the subtype match that expression. Note that access to properties is by field position thereby subtype and supertype field positions should be congruent.

H.2. Avro Event Type

In order to use Avro for incoming events, the event type name and Avro schema must be made known via configuration or `create avro schema` EPL syntax. Please see examples in [Section 5.15, “Declaring an Event Type: Create Schema”](#) and [Section 17.4.7, “Events Represented by Avro `GenericData.Record`”](#).

The code snippet below defines an Avro event type, creates an Avro event and sends the event into the runtime. The sample defines the `CarLocUpdateEvent` event type via the configuration (`create schema` could have been used instead).

```
// Define CarLocUpdateEvent event type
Schema schema = record("CarLocUpdateEvent").fields()
    .name("carId").type().stringBuilder().prop(PROP_JAVA_STRING_KEY,
PROP_JAVA_STRING_VALUE).endString().noDefault()
    .requiredInt("direction")
    .endRecord();
Configuration configuration = new Configuration();
ConfigurationCommonEventTypeAvro avroEvent = new
ConfigurationCommonEventTypeAvro(schema);
configuration.getCommon().addEventTypeAvro("CarLocUpdateEvent", avroEvent);
```

The `CarLocUpdateEvent` can now be used in a statement:

```
select count(*) from CarLocUpdateEvent(direction = 1)#time(1 min)
```

The sample code to send an event is:

```
GenericData.Record event = new GenericData.Record(schema);
event.put("carId", "A123456");
```

```
event.put("direction", 1);
runtime.getEventService().sendEventAvro(event, "CarLocUpdateEvent");
```

Use the `@EventRepresentation(avro)` annotation to obtain Avro output events.

H.3. Avro Schema Name Requirement

Avro schemas can contain further Avro schemas. The compiler and runtime track nested schema based on the schema name. The compiler and runtime implicitly register an event type for each schema using the schema name, for nested simple and indexed properties. Therefore the compiler and runtime require schema names to match the initially-registered schema of the same name.

For example, the schema:

```
{
  "type" : "record",
  "name" : "MyEvent",
  "fields" : [ {
    "name" : "nested",
    "type" : {
      "type" : "record",
      "name" : "MyNestedEvent",
      "fields" : [ {
        "name" : "value",
        "type" : "int"
      } ]
    }
  } ]
}
```

For the above schema, upon registration of the schema as an event type, the compiler or runtime creates an event type `MyNestedEvent` and associates it to the `MyNestedEvent` schema.

H.4. Avro Field Schema to Property Type Mapping

Upon registering an Avro event type, the compiler and runtime determine property names and property types. The Avro record field schema determines the property type.

The table below describes Avro field schema to property type mapping:

Table H.1. Avro Field Schema to Property Type Mapping

Schema	Property Type
"int" (Schema.Type.INT)	int
"long" (Schema.Type.LONG)	long

Schema	Property Type
"double" (Schema.Type.DOUBLE)	double
"float" (Schema.Type.FLOAT)	float
"boolean" (Schema.Type.BOOLEAN)	boolean
"bytes" (Schema.Type.BYTES)	ByteBuffer
"null" (Schema.Type.NULL)	null
"string" (Schema.Type.STRING)	If the field has the property <code>avro.java.string</code> as <code>String</code> , then the property type is <code>String</code> otherwise it is <code>CharSequence</code> .
"union" (Schema.Type.UNION)	See below.
"array" (Schema.Type.ARRAY)	<code>java.util.Collection</code>
"map" (Schema.Type.MAP)	<code>java.util.Map</code>
"record" (Schema.Type.RECORD)	<code>GenericData.Record</code>
"fixed" (Schema.Type.FIXED)	<code>GenericFixed</code>
"enum" (Schema.Type.ENUM)	<code>GenericEnumSymbol</code>

For unions:

1. If the union contains `null` and any of the primitive types, the property type is the boxed type. For example `unionOf().nullType().and().intType().endUnion()` is `Integer.class`.
2. If the union contains `null` and numeric types only, the property type is `Number.class`. For example `unionOf().longType().and().intType().endUnion()` is `Number.class`.
3. Otherwise the property type is `Object.class`.

H.5. Primitive Data Type and Class to Avro Schema Mapping

This section lists for each JVM type the default Avro schema that the compiler and runtime uses when assembling an Avro schema from a `select`-clause.

For example, consider the following statement. The statement assumes that `MyEvent` is a pre-registered event type of any kind (Map, Avro, Object-Array, POJO etc.):

```
@EventRepresentation(avro) select 1 as carId, 'abc' as carType from MyEvent
```

Your application may obtain the schema for the statement output event type as follows:

```
String epl = "@EventRepresentation(avro) select 1 as carId, 'abc' as carType from MyEvent";
```

```

Configuration configuration = new Configuration();
configuration.getCommon().addEventType(MyEvent.class);
CompilerArguments compilerArguments = new CompilerArguments(configuration);
EPCompiled compiled = EPCompilerProvider.getCompiler().compile(epl,
    compilerArguments);

EPDeployment deployment =
    EPRuntimeProvider.getDefaultRuntime().getDeploymentService().deploy(compiled).getStatements[0];
Schema schema = (Schema) ((AvroSchemaEventType)
    stmt.getEventType()).getSchema();

```

The compiler generates an Avro schema based on the expressions in the `select`-clause. The schema in pretty-print may look like this:

```

{
  "type" : "record",
  "name" : "anonymous_1_result_",
  "fields" : [ {
    "name" : "carId",
    "type" : "int"
  }, {
    "name" : "carType",
    "type" : {
      "type" : "string",
      "avro.java.string" : "String"
    }
  } ]
}

```

Please consult [Section 17.4.9.2, “Avro Settings”](#) for details on controlling default mapping. Tables below outline the default mapping and provide alternative schemas depending on the avro settings .

By default the compiler maps expression result types to Avro schema using non-null schema types. By default, for String-type values, the compiler sets the `avro.java.string` property to `String` to ensure that Avro uses `java.lang.String` to represent strings (and not `org.apache.avro.util.Utf8`). The tables below outline the default mapping and provide alternative schemas, which apply according to Avro settings.

The mapping from primitive and string type to Avro schema is:

Table H.2. Primitive Data Type and String Mapping

Type	Default Schema	Alternative Schemas
byte	"int"	N/A
java.lang.	"int"	["null", "int"]
boolean	"boolean"	N/A
java.lang.	"boolean"	["null", "boolean"]
double	"double"	N/A
java.lang.	"double"	["null", "double"]
float	"float"	N/A
java.lang.	"float"	["null", "float"]
int	"int"	N/A
java.lang.	"int"	["null", "int"]
long	"long"	N/A
java.lang.	"long"	["null", "long"]
null	"null"	N/A
java.lang. and java.lang.	{"type": "string", "avro.java.stri CharSequence	"string"

Type	Default Schema	Alternative Schemas
		or <code>["null", "string"]</code> or <code>["null", {"type": "string", "avro.java.string": "String"}]</code>

The mapping from array-type to Avro schema is:

Table H.3. Array Type Mapping

Type	Default Schema	Alternative Schemas
<code>byte[]</code>	<code>"bytes"</code>	<code>["null", "bytes"]</code>
<code>Byte[]</code>	<code>{"type": "array", "items": ["null", "int"]}</code>	<code>["null", {"type": "array", "items": ["null", "int"]}]</code>
<code>boolean[]</code>	<code>{"type": "array", "items": "boolean"}</code>	<code>["null", {"type": "array", "items": "boolean"}]</code>
<code>Boolean[]</code>	<code>{"type": "array", "items": ["null", "boolean"]}</code>	<code>["null", {"type": "array", "items": ["null", "boolean"]}]</code>
<code>double[]</code>	<code>{"type": "array", "items": "double"}</code>	<code>["null", {"type": "array", "items": "double"}]</code>
<code>Double[]</code>	<code>{"type": "array", "items": ["null", "double"]}</code>	<code>["null", {"type": "array", "items": ["null", "double"]}]</code>
<code>float[]</code>	<code>{"type": "array", "items": "float"}</code>	<code>["null", {"type": "array", "items": "float"}]</code>

Type	Default Schema	Alternative Schemas
Float[]	<pre>{ "type": "array", "items": ["null", "float"] }</pre>	<pre>["null", { "type": "array", "items": ["null", "float"] }]</pre>
int[]	<pre>{ "type": "array", "items": "int" }</pre>	<pre>["null", { "type": "array", "items": "int" }]</pre>
Integer[]	<pre>{ "type": "array", "items": ["null", "int"] }</pre>	<pre>["null", { "type": "array", "items": ["null", "int"] }]</pre>
long[]	<pre>{ "type": "array", "items": "long" }</pre>	<pre>["null", { "type": "array", "items": "long" }]</pre>
Long[]	<pre>{ "type": "array", "items": ["null", "long"] }</pre>	<pre>["null", { "type": "array", "items": ["null", "long"] }]</pre>
java.lang. and java.lang.	<pre>{ "type": "array", "items": { "type": "string", "avro.java.stri</pre>	<pre>["null", { "type": "array", "items": { "type": "string", "avro.java.string": "String" } }]</pre> or <pre>{ "type": "array", "items": "string" }</pre> (or the combination)

Additional mappings to Avro schema are:

Table H.4. Additional Mapping

Type	Default Schema	Alternative Schemas
java.util interface implemen	<pre>{ "type": "map", "values": { "type": "string", "avro.java.stri</pre>	<pre>["null", { "type": "map", "values": { "type": "string", "avro.java.string": "String" } }]</pre>

H.6. Customizing Avro Schema Assignment

EPL provides the `@AvroSchemaField` annotation to assign a schema to a given property. The annotation requires the `name` attribute for the property name and the `schema` attributed for the Avro schema text.

The schema provided via `@AvroSchemaField` for a given property replaces the Avro schema that is otherwise assigned according to the above mapping.

The annotation can be used with `create-schema` or with `@EventRepresentation(avro)`.

In this example the `carId` property is a union of int-type and string-type.

```
@AvroSchemaField(name='carId',schema=['int',"string"]) create avro schema
MyEvent(carId object)
```

The compiler determines the property type from the Avro field schema according to the rules listed above.

H.7. Customizing Class-to-Avro Schema

In the default configuration only the primitive data types and the abovementioned classes have a corresponding Avro schema. When the compiler encounters a class for which it does not know the Avro schema that it should use, it fails the statement compile.

For example, the below EPL is invalid:

```
// Invalid since LocalDateTime has no equivalent Avro schema (by default)
create avro schema MyEvent(ldt as java.time.LocalDateTime)
```

Instead of using `@AvroSchemaField` your application can configure a type-representation mapper class that can return the Avro schema to use. For configuration information please see [Section 17.4.9.2, “Avro Settings”](#) and the JavaDoc.

Your application can implement the `com.espertech.esper.common.client.hook.TypeRepresentationMapper` interface. The compiler and runtime invoke the provided mapper to determine the Avro schema for a given field.

For example, the following type mapper implementation maps `LocalDateTime` to the Avro string type.

```
public class MyTypeRepresentationMapper implements TypeRepresentationMapper {
    public Object map(TypeRepresentationMapperContext context) {
        if (context.getClazz() == LocalDateTime.class) {
```

```

        return builder().stringBuilder().endString();
    }
    return null;
}
}

```

H.8. Customizing Object-to-Avro Field Value Assignment

The compiler can automatically widen and assign values to Avro fields. In the case when your application requires a custom logic to convert, widen, coerce or transform a value before assignment to an Avro field, please use the mechanism below.

Your application can implement the `com.espertech.esper.common.client.hook.ObjectValueTypeWidenerFactory` interface. The compiler invokes the provided factory to determine a widener for values.

For example, the factory implementation below returns a type widener that converts `LocalDateTime` instances to Avro string-type values by using the date-time formatter:

```

public static class MyObjectValueTypeWidenerFactory implements
    ObjectValueTypeWidenerFactory {

    public TypeWidener make(ObjectValueTypeWidenerFactoryContext context) {
        if (context.getClass() == LocalDateTime.class) {
            return new TypeWidener() {
                public Object widen(Object input) {
                    LocalDateTime ldt = (LocalDateTime) input;
                    return DateTimeFormatter.ISO_DATE_TIME.format(ldt);
                }
            };
        }
        return null;
    }
}

```

H.9. API Examples

To obtain the Avro schema for a given event type, use:

```

public static Schema getAvroSchema(EventType eventType) {
    return (Schema) ((AvroSchemaEventType) eventType).getSchema();
}

```

To obtain the Avro schema for a registered event type, you may use:

```
public static Schema getAvroSchema(EPRuntime runtime, String eventTypeName) {  
    return  
    getAvroSchema(runtime.getEventTypeService().getEventType(eventTypeName));  
}
```

To obtain the Avro schema for a given event, you may use:

```
public static Schema getAvroSchema(EventBean event) {  
    return getAvroSchema(event.getEventType());  
}
```

To obtain the `GenericData.Record` for a given event, you may use:

```
public static Schema getAvroRecord(EventBean event) {  
    return (GenericData.Record) event.getUnderlying();  
}
```

H.10. Limitations

The following limitations apply:

1. An Avro `GenericData.Record` cannot contain `EventBean` instances.
2. There is no implicit translation from other event representations to Avro schemas.
3. While the compiler performs best-effort assignment checking and widening, it does not actually itself verify that the `GenericData.Record` contains valid data, for both production of `GenericData.Record` and consumption of `GenericData.Record`.

Appendix I. Event Representation:

XML Events

`org.w3c.dom.Node`

This section provides information for using `org.w3c.dom.Node` XML to represent events.

For NEsper .NET also see [Section J.9, “.NET XML Events”](#).

I.1. Overview

Events can be represented as `org.w3c.dom.Node` instances and send into the runtime via the `sendEventXMLDOM` method on `EPEventService` or via `EventSender`. Please note that either configuration or `create xml schema` with annotations are required so the event type name and root element name is known. See [Section 17.4.8, “Events Represented by `org.w3c.dom.Node`”](#).

If a XML schema document (XSD file) can be made available as part of the configuration or as part of `create xml schema`, then the compiler and runtime can read the schema and appropriately present event type metadata and validate statements that use the event type and its properties. See [Section 1.2, “Schema-Provided XML Events”](#).

When no XML schema document is provided, XML events can still be queried, however the return type and return values of property expressions are string-only and no event type metadata is available other than for explicitly configured properties. See [Section 1.3, “No-Schema-Provided XML Events”](#).

In all cases the compiler and runtime allow you to configure explicit XPath expressions as event properties. You can specify arbitrary XPath functions or expressions and provide a property name and type by which result values will be available for use in statements. See [Section 1.4, “Explicitly-Configured Properties”](#).

Nested, mapped and indexed event properties are also supported in expressions against `org.w3c.dom.Node` events. Thus XML trees can conveniently be interrogated via the property expression syntax.

Only one event type per root element name may be configured.

This section uses the following XML document as an example:

```
<?xml version="1.0" encoding="UTF-8"?>
<Sensor xmlns="SensorSchema">
  <ID>urn:epc:1:4.16.36</ID>
  <Observation Command="READ_PALLET_TAGS_ONLY">
    <ID>00000001</ID>
    <Tag>
      <ID>urn:epc:1:2.24.400</ID>
    </Tag>
  </Observation>
</Sensor>
```

```
<Tag>
  <ID>urn:epc:1:2.24.401</ID>
</Tag>
</Observation>
</Sensor>
```

The schema for the example is:

```
<?xml version="1.0" encoding="UTF-8"?>
<xs:schema xmlns:xs="http://www.w3.org/2001/XMLSchema">

  <xs:element name="Sensor">
    <xs:complexType>
      <xs:sequence>
        <xs:element name="ID" type="xs:string"/>
        <xs:element ref="Observation" />
      </xs:sequence>
    </xs:complexType>
  </xs:element>

  <xs:element name="Observation">
    <xs:complexType>
      <xs:sequence>
        <xs:element name="ID" type="xs:string"/>
        <xs:element ref="Tag" maxOccurs="unbounded" />
      </xs:sequence>
      <xs:attribute name="Command" type="xs:string" use="required" />
    </xs:complexType>
  </xs:element>

  <xs:element name="Tag">
    <xs:complexType>
      <xs:sequence>
        <xs:element name="ID" type="xs:string"/>
      </xs:sequence>
    </xs:complexType>
  </xs:element>
</xs:schema>
```

I.2. Schema-Provided XML Events

If you have a XSD schema document available for your XML events, the compiler and runtime can interrogate the schema. The benefits are:

- New statements that refer to event properties are validated against the types provided in the schema.

- Event type metadata becomes available for retrieval as part of the `EventType` interface.

I.2.1. Getting Started

The compiler reads a XSD schema file from an URL you provide. Make sure files imported by the XSD schema file can also be resolved.

The configuration and `create xml schema` accept a schema URL. This is a sample code snippet to determine a schema URL from a file in classpath:

```
URL schemaURL = this.getClass().getClassLoader().getResource("sensor.xsd");
// For NEsper .NET use C# ResourceManager class for loading resources
```

Here is a sample use of the configuration API, please see [Chapter 17, Configuration](#) for further examples.

```
ConfigurationCommonEventTypeXMLDOM      sensorcfg      =      new
ConfigurationCommonEventTypeXMLDOM();
sensorcfg.setRootElementName("Sensor");
sensorcfg.setSchemaResource(schemaURL.toString());
Configuration configuration = new Configuration();
configuration.getCommon().addEventType("SensorEvent", sensorcfg);
```

Here is a sample use of `create xml schema`.

```
@XMLSchema(rootElementName='Sensor', schemaResource='some url value here')
create xml schema SensorEvent()
```

There does not need to be a root element name. The `sendEventXMLDOM(org.w3c.Node node, String eventName)` method accepts the event type name. An `EventSender` is a useful alternative method for sending events if the type lookup based on the root or document element name is not desired.

After adding the event type, you may create statements and send events. Next is a sample statement:

```
select ID, Observation.Command, Observation.ID,
       Observation.Tag[0].ID, Observation.Tag[1].ID
from SensorEvent
```

As you can see from the example above, property expressions can query property values held in the XML document's elements and attributes.

There are multiple ways to obtain a XML DOM document instance from a XML string. The next code snippet shows how to obtain a XML DOM `org.w3c.Document` instance:

```
InputStream source = new InputStream(new StringReader(xml));
DocumentBuilderFactory builderFactory = DocumentBuilderFactory.newInstance();
builderFactory.setNamespaceAware(true);
Document doc = builderFactory.newDocumentBuilder().parse(source);
```

Send the `org.w3c.Node` Or `Document` object into the runtime for processing:

```
runtime.getEventService().sendEventXMLDOM(doc, "SensorEvent");
```

I.2.2. Property Expressions and Namespaces

By default, property expressions such as `Observation.Tag[0].ID` are evaluated by a fast DOM-walker implementation provided by EPL. This DOM-walker implementation is not namespace-aware.

Should you require namespace-aware traversal of the DOM document, you must set the `xpath-property-expr` configuration option to true (default is false). This flag causes the compiler and runtime to generate namespace-aware XPath expressions from each property expression instead of the DOM-walker, as described next. Setting the `xpath-property-expr` option to true requires that you also configure namespace prefixes as described below.

When matching up the property names with the XSD schema information, the compiler determines whether the attribute or element provides values. The algorithm checks attribute names first followed by element names. It takes the first match to the specified property name.

I.2.3. Property Expression to XPath Rewrite

By setting the `xpath-property-expr` option the compiler rewrites each property expression as an XPath expression, effectively handing the evaluation over to the underlying XPath implementation available from classpath. Most JVM have a built-in XPath implementation and there are also optimized, fast implementations such as Jaxen that can be used as well.

Set the `xpath-property-expr` option if you need namespace-aware document traversal, such as when your schema mixes several namespaces and element names are overlapping.

The below table samples several property expressions and the XPath expression generated for each, without namespace prefixes to keep the example simple:

Table I.1. Property Expression to XPath Expression

Property Expression	Equivalent XPath
<code>Observation.ID</code>	<code>/Sensor/Observation/ID</code>

Property Expression	Equivalent XPath
<code>Observation.Command</code>	<code>/Sensor/Observation/@Command</code>
<code>Observation.Tag[0].ID</code>	<code>/Sensor/Observation/Tag[position() = 1]/ID</code>

For mapped properties that are specified via the syntax `name('key')`, the algorithm looks for an attribute by name `id` and generates a XPath expression as `mapped[@id='key']`.

Finally, here is an example that includes all different types of properties and their XPath expression equivalent in one property expression:

```
select nested.mapped('key').indexed[1].attribute from MyEvent
```

The equivalent XPath expression follows, this time including `n0` as a sample namespace prefix:

```
/n0:rootelement/n0:nested/n0:mapped[@id='key']/n0:indexed[position() = 2]/@attribute
```

I.2.4. Array Properties

All elements that are unbound or have `max` occurs greater than 1 in the XSD schema are represented as indexed properties and require an index for resolution.

For example, the following is not a valid property expression in the sample `Sensor` document: `Observation.Tag.ID`. As no index is provided for `Tag`, the property expression is not valid.

Repeated elements within a parent element in which the repeated element is a simple type also are represented as an array.

Consider the next XML document:

```
<item>
<book sku="8800090">
<author>Isaac Asimov</author>
<author>Robert A Heinlein</author>
</book>
</item>
```

Here, the result of the expression `book.author` is an array of type `String` and the result of `book.author[0]` is a `String` value.

I.2.5. Dynamic Properties

Dynamic properties are not validated against the XSD schema information and their result value is always `org.w3c.Node`. You may use a user-defined function to process dynamic properties returning `Node`. As an alternative consider using an explicit property.

An example dynamic property is `Origin?.ID` which will look for an element by name `Origin` that contains an element or attribute node by name `LocationCode`:

```
select Origin?.LocationCode from SensorEvent
```

I.2.6. Transposing Properties

When providing a XSD document, the default configuration allows to transpose property values that are themselves complex elements, as defined in the XSD schema, into a new stream. This behavior can be controlled via the flag `auto-fragment`.

For example, consider the next statement:

```
insert into ObservationStream
select ID, Observation from SensorEvent
```

The `Observation` as a property of the `SensorEvent` gets itself inserted into a new stream by name `ObservationStream`. The `ObservationStream` thus consists of a string-typed `ID` property and a complex-typed property named `Observation`, as described in the schema.

A further statement can use this stream to query:

```
select Observation.Command, Observation.Tag[0].ID from ObservationStream
```

Before continuing the discussion, here is an alternative syntax using the wildcard-select, that is also useful:

```
insert into TagListStream
select ID as sensorId, Observation.* from SensorEvent
```

The new `TagListStream` has a string-typed `ID` and `Command` property as well as an array of `Tag` properties that are complex types themselves as defined in the schema.

Next is a sample statement to query the new stream:

```
select sensorId, Command, Tag[0].ID from TagListStream
```

Please note the following limitations:

- The XPath standard prescribes that XPath expressions against `org.w3c.Node` are evaluated against the owner document of the `Node`. Therefore XPath is not relative to the current node but absolute against each node's owner document. Since the compiler and runtime do not create new document instances for transposed nodes, transposing properties is not possible when the `xpath-property-expr` flag is set.
- Complex elements that have both simple element values and complex child elements are not transposed. This is to ensure their property value is not hidden. Use an explicit XPath expression to transpose such properties.

EPL automatically registers a new event type for transposed properties. It generates the type name of the new XML event type from the XML event type name and the property names used in the expression. The synopsis is `type_name.property_name[.property_name...]`. The type name can be looked up, for example for use with `EventSender` or can be created in advance.

I.2.7. Event Sender

An `EventSender` sends events into the runtime for a given type, saving a type lookup based on element name.

This brief example sends an event via `EventSender`:

```
EventSender sender = epRuntime.getEventSender("SensorEvent");  
sender.sendEvent(node);
```

The XML DOM event sender checks the root element name before processing the event. Use the `event-sender-validates-root` setting to disable validation. This forces the runtime to process XML documents according to any predefined type without validation of the root element name.

I.2.8. Limitations

The compiler schema interrogation is based on the Xerces distribution packaged into Sun Java runtimes. Your application may not replace the JRE's Xerces version and use XML schemas, unless your application sets the DOM implementation registry as shown below before loading the configuration:

```
System.setProperty(DOMImplementationRegistry.PROPERTY,  
"com.sun.org.apache.xerces.internal.dom.DOMXSImplementationSourceImpl");
```

I.3. No-Schema-Provided XML Events

Without a schema document a XML event may still be queried. However there are important differences in the metadata available without a schema document and therefore the property expression results. These differences are outlined below.

All property expressions against a XML type without schema are assumed valid. There is no validation of the property expression other than syntax validation. At runtime, property expressions return string-type values or `null` if the expression did not yield a matching element or attribute result.

When asked for property names or property metadata, a no-schema type returns empty array.

In all other aspects the type behaves the same as the schema-provided type described earlier.

I.4. Explicitly-Configured Properties

Regardless of whether or not you provide a XSD schema for the XML event type, you can always fall back to configuring explicit properties that are backed by XPath expressions.

For further documentation on XPath, please consult the XPath standard or other online material. Consider using Jaxen or Apache Axiom, for example, to provide faster XPath evaluation than your Java VM built-in XPath provider may offer.

I.4.1. Simple Explicit Property

Shown below is an example configuration that adds an explicit property backed by a XPath expression and that defines namespace prefixes:

```
ConfigurationCommonEventTypeXMLDOM      sensorcfg      =      new
  ConfigurationCommonEventTypeXMLDOM();
sensorcfg.addXPathProperty("countTags",    "count(/ss:Sensor/ss:Observation/
ss:Tag)",
  XPathConstants.NUMBER);
sensorcfg.addNamespacePrefix("ss", "SensorSchema");
sensorcfg.setRootElementName("Sensor");

Configuration configuration = new Configuration();
configuration.getCommon().addEventType("SensorEvent", sensorcfg);
```

Shown below is an example `create xml schema`:

```
@XMLSchema(rootElementName='Sensor')
@XmlSchemaField(name='countTags',          xpath='count(/ss:Sensor/ss:Observation/
ss:Tag', type='number')
@XmlSchemaNamespacePrefix(prefix='ss', namespace='SensorSchema')
```

```
create xml schema SensorEvent();
```

The `countTags` property is now available for querying:

```
select countTags from SensorEvent
```

The XPath expression `count(...)` is a XPath built-in function that counts the number of nodes, for the example document the result is 2.

I.4.2. Explicit Property Casting and Parsing

The compiler and runtime can parse or cast the result of your XPath expression to the desired type. Your property configuration provides the type to cast to, like this:

```
sensorcfg.addXPathProperty("countTags", "count(/ss:Sensor/ss:Observation/
ss:Tag)",
    XPathConstants.NUMBER, "int");
```

The type supplied to the property configuration must be one of the built-in types. Arrays of built-in type are also possible, requiring the `XPathConstants.NODESET` type returned by your XPath expression, as follows:

```
sensorcfg.addXPathProperty("idarray", "//ss:Tag/ss:ID",
    XPathConstants.NODESET, "String[]");
```

This EPL snippet is the equivalent of above for use with `create xml schema`:

```
@XMLSchemaField(name='countTags', xpath='count(/ss:Sensor/ss:Observation/
ss:Tag)', type='number', castToType='int')
@XMLSchemaField(name='idarray', xpath='//ss:Tag/ss:ID', type='nodeset',
    castToType='string[]')
```

The XPath expression `//ss:Tag/ss:ID` returns all ID nodes under a Tag node, regardless of where in the node tree the element is located. For the example document the result is 2 array elements `urn:epc:1:2.24.400` and `urn:epc:1:2.24.40`.

I.4.3. Node and Nodeset Explicit Property

An explicit property may return `XPathConstants.NODE` or `XPathConstants.NODESET` and can provide the event type name of a pre-configured event type for the property. The method name to add such properties is `addXPathPropertyFragment`.

Appendix I. Event Representat...

This code snippet adds two explicit properties and assigns an event type name for each property:

```
sensorcfg.addXPathPropertyFragment("tagOne", "//ss:Tag[position() = 1]",
    XPathConstants.NODE, "TagEvent");
sensorcfg.addXPathPropertyFragment("tagArray", "//ss:Tag",
    XPathConstants.NODESET, "TagEvent");
```

This EPL snippet is the equivalent of above for use with `create xml schema`:

```
@XMLSchemaField(name='tagOne', xpath='//ss:Tag[position() = 1]', type='node',
    eventTypeName='TagEvent')
@XMLSchemaField(name='tagArray', xpath='//ss:Tag', type='nodeset',
    eventTypeName='TagEvent')
```

The configuration or annotation above references the `TagEvent` event type. This type must also be configured or created. Prefix the root element name with `"/"` to cause the lookup to search the nested schema elements for the definition of the type:

```
ConfigurationCommonEventTypeXMLDOM tagcfg = new
    ConfigurationCommonEventTypeXMLDOM();
tagcfg.setRootElementName("//Tag");
tagcfg.setSchemaResource(schemaURL);

Configuration configuration = new Configuration();
configuration.getCommon().addEventType("TagEvent", tagcfg);
```

The `tagOne` and `tagArray` properties are now ready for selection and transposing to further streams:

```
insert into TagOneStream select tagOne.* from SensorEvent
```

Select from the new stream:

```
select ID from TagOneStream
```

An example with indexed properties is shown next:

```
insert into TagArrayStream select tagArray as mytags from SensorEvent
```


Select from the new stream:

```
select mytags[0].ID from TagArrayStream
```

I.5. Using XML-Schema Annotations with `create xml schema`

Further information on using `create xml schema` with `XMLSchema`, `XMLSchemaNamespacePrefix` and `XMLSchemaField` can be found at [Section 17.4.8, “Events Represented by `org.w3c.dom.Node`”](#).



Note

- The `create xml schema` statement does not allow specifying event properties.
- The `create xml schema` statement does not support `copyfrom` and `inherits`.

Appendix J. NEsper .NET -Specific Information

This section provides information for NEsper .NET users.

J.1. .NET General Information

`System.Collections.IEnumerable` and `System.Collections.Generic.IEnumerable<T>` are honored in most places where a collection would be taken.

In respect to `DateTime` differences, the baseline for CLR datetimes is `1/1/0001 12:00:00AM`. `Datetimes` are converted to ticks and then to milliseconds.

J.2. .NET and Annotations

Annotations are implemented using .NET attributes. Annotations must derive from `System.Attribute` and must use .NET attribute naming conventions e.g. `@Hint` is implemented as `HintAttribute`.

J.3. .NET and Locks and Concurrency

NEsper provides a lock manager that is configurable once per `AppDomain`: `com.espertech.esper.compat.threading.LockManager` is used for lock provision.

- Standard system locks are the default.
- Spinlocks & Slimlocks may be used.
- Custom lock implementations can be leveraged.

`com.espertech.esper.compat.threading.ReaderWriterLockManager` is used for RW lock management.

- Standard reader writer locks are the default.
- `SlimReaderWriter` locks are provided.
- Fair & FIFO `ReaderWriter` lock implementations are provided.

In NEsper there is a container that is provided or created during initialization.

```
DefaultReaderWriterLockManager rwLockManager = (DefaultReaderWriterLockManager)
container.RWLockManager();
```

Once the application has the lock manager, it can set the `DefaultLockTimeout` property on it.

```
rwLockManager.DefaultLockTimeout = 1000000L;
```

The lock manager relies on a factory. The default factory can be overridden by setting the `DefaultLockFactory` property.

```
rwLockManager.DefaultLockFactory = (lockTimeout) => ...();
```

If the application would like to control this by type, it can register a specific lock factory for a given type.

```
rwLockManager.RegisterLockFactory(typeof(foo), (lockTimeout) =>  
    myCustomerLock());
```

There are no per-type lock timeouts.

J.4. .NET and Threading

`com.espertech.esper.compat.threading.ThreadLocalManager` is used for thread local management.

- Fast thread local implementation is the default - not .NET standard.
- Standard implementation is available - however, it is found significantly slower.

J.5. .NET NEsper Configuration

`com.espertech.esper.util.EsperSectionHandler` is provided to read Esper configuration from standard .NET configuration. It must be added as a `configSection` in order to be used.

For items not handled under the Esper configuration use `com.espertech.esper.compat.CompatSettings`. These are often applied for the entire `AppDomain` meaning they are effectively static for the container. These cover the following items:

- `DefaultLockType`.
- `DefaultReaderWriterLockType`.
- `MonitorLockTimeout`.
- `ReaderLockTimeout`.
- `WriterLockTimeout`.

- DefaultThreadLocalType.

J.6. .NET Event Underlying Objects

Table J.1. Event Underlying .NET Objects

Java Class	Description
System.Object	Any .NET object with properties.
System.Collections.Generic.IDictionary, System.Collections.Generic.IDictionary<string, object>, System.Collections.Generic.IDictionary<string, object>, System.Collections.Generic.IDictionary<string, object>	Map events are implementations of the IDictionary interface where each map entry is a property value.
System.Array, System.Object[] (array of object)	Object-array events are arrays of objects (type Object[]) where each array element is a property value.
System.Xml.XmlNode and System.Xml.Linq.XNode	XML document object model (DOM).
Application classes	Plug-in event representation via the extension API.

J.7. .NET Object Events

Event classes provide accessors (getter methods) and mutators (setter methods) by means of auto-implemented properties or read write properties.

Below an example using auto-implemented properties:

```
class NewEmployeeEvent {
    public string FirstName { get; set; }
    public Address Address { get; set; }
}
```

Below an example using read write properties:

```
class NewEmployeeEvent {
    private string firstName = "N/A";
    private Address address = 0;

    public string FirstName
    {
        get
        {
            return firstName;
        }
        set
        {

```

```
        firstName = value;
    }
}

public Address Address
{
    get
    {
        return address;
    }
    set
    {
        address = value;
    }
}
}
```

The case conversion is uppercase as dictated by .NET property conventions.

Mapped indexes are handled through the indexing operator.

J.8. .NET IDictionary Events

For .NET the events can be represented by objects that implement the `IDictionary` interface.

J.9. .NET XML Events

XML events are represented by `System.Xml` and `System.Xml.Linq`.

J.10. .NET Event Objects Instantiated and Populated by

`Insert Into`

Objects need to follow the .NET property conventions. Objects can follow modified conventions for Java-style accessors and mutators using `Get` and `Set` respectively.

J.11. .NET Basic Concepts

There are no differences between Esper and NEsper in respect to basic concepts.

J.12. .NET EPL Syntax - Data Types

The data types are `sbyte`, `byte`, `short`, `ushort`, `int`, `uint`, `long`, `ulong`, `float`, `double`, `decimal`.

J.13. .NET Accessing Relational Data via SQL

.NET uses ADO-based drivers to accomplish the same work.

J.14. .NET API - Receiving Statement Results

NESper exposes the Events `events` on `EPStatement` objects.

`UpdateListener` is replaced by `UpdateEventHandler` in .NET. Subscriber objects must implement the `Update` method or subscriber objects must be a delegate with an appropriate number of arguments.

The `setSubscriber` method is replaced with the `Subscriber` property. This property can take an object or a delegate.

`Iterator` is replaced with `GetEnumerator`. `SafeIterator` is replaced with `GetSafeEnumerator`.

In NESper you can assign a delegate to a subscriber using lambda this way:

```
statement.Subscriber = new Action<TradeReportEvent, NesperTest>((a, b) => {
    Debug.Print("got here");
});
```

J.15. .NET API - Adding Listeners

Listeners are replaced with `UpdateEventHandlers`, for example `countStatement.Events += (sender, args) => { DoWork(); }`.

J.16. .NET API - Runtime Threading and Concurrency

When using internal timer (and not the application provided external time), please note:

- Windows uses a high resolution timer that uses the windows multimedia timers with a resolution of 1 millisecond. High resolution timers are cleaned up when the `AppDomain` is disposed.
- If using Mono, Mono uses an internal timer that attempts to account for clock skew and drift.

J.17. .NET Configurations - Relational Database Access

Connections are obtained by selecting a `DbDriver`, which are a NESper-construct.

- `DbDriverGeneric`: Positional or name based driver that must be completely configured prior to use.
- `DbDriverMySQL`: Positional based driver that uses '?' prefix.
- `DbDriverODBC`: Positional based driver that uses '?' prefix.
- `DbDriverSqlServer`: Translates positional into named-based `SqlParameters` with '@' prefix.

J.18. .NET Configurations - Logging Configuration

`Log4j` is replaced by .NET Commons Logging.

Index

Symbols

-> pattern operator, 301

A

after, 146

aggregation functions

 custom plug-in, 754

 overview, 380

and pattern operator, 298

annotation, 99

 application-provided, 99

 builtin, 101

 enumeration value, 100

 interrogating, 577

API

 testing, 605

arithmetic operators, 345

array definition operator, 347

array element operator, 347

avro event representation, 967

B

between operator, 352

binary operators, 346

C

case control flow function, 363

cast function, 364

 array, 366

 date parsing, 365

class loader

 compiler, 540

 runtime, 608

class name resolution

 compiler, 540

 runtime, 608

coalesce function, 366

concatenation operators, 346

configuration

 common, 616

 compiler, 649

 logging, 680

 overview, 615

 programmatic, 615

 runtime, 660

 transient, 677

 via XML, 616

Configuration class, 615

constants, 96, 98

context partition, 605

correlation, 520

create expression, 208

create index, 268

create schema, 191

create window, insert, 235

current_evaluation_context, 366

current_timestamp function, 367

D

data types, 95

data window

 correlation, 520

 custom plug-in view, 748

 expiry expression batch window, 504

 expiry expression window, 501

 externally-time batch window, 497

 externally-timed window, 494

 first event, 511

 first length window, 501

 first time window, 501

 first unique window, 511

 grouped data window, 507

 keep-all window, 500

 last event window, 510

 length batch window, 494

 length window, 493

 overview, 487

 ranked window, 512

 regression, 518

 size window, 516

 sorted window, 512

 time batch window, 495

 time length batch window, 498

 time window, 494

 time-accumulating window, 499

- time-order window, 514
 - time-to-live window, 515
 - unique window, 506
 - univariate statistics, 517
 - weighted average, 521
 - dataflow, 703
 - decorated event, 156
 - delete, 273
 - deployment
 - J2EE, 608
 - module, 524
 - derived-value window
 - overview, 489
 - dot operator, 348
 - duck typing, 348
 - dynamic event properties, 41
- E**
- enum types, 98
 - EPDeploymentService interface, 557
 - EPEventService interface, 577
 - EPFireAndForgetService interface, 580
 - EPL
 - from clause, 117
 - group by clause, 129
 - having clause, 139
 - initializing
 - initializing, 251
 - inner join, 171
 - insert into clause, 151
 - join, 168
 - join, unidirectional, 173
 - joining non-relational data via method, script or UDF invocation, 183
 - joining relational data via SQL, 176
 - limit clause, 150
 - named window, 229
 - deleting from, 260, 273
 - inserting into, 235, 271
 - populating from a named window, 235
 - selecting from, 238
 - triggered select and delete using On Select Delete, 255
 - triggered select using On Select, 251
 - updating, 255, 272
 - order by clause, 149
 - outer join, 171
 - outer join, unidirectional, 173, 174
 - output control and stabilizing, 142
 - select clause, 110
 - subqueries, 159
 - table, 230
 - initializing, 250, 251
 - inserting into, 248
 - resetting, 250
 - selecting from, 249
 - variable, 200
 - where clause, 126
 - EPRuntime class, 556
 - EPRuntimeProvider class, 555
 - EPStatement interface, 557
 - EPStatementObjectModel interface, 533
 - EPTYPE Interface, 576
 - escape, 95
 - event
 - Avro representation, 967
 - bulk, 49
 - coarse, 49
 - dynamic properties, 41
 - insert into, 50
 - Java object, 929
 - JSON representation, 947
 - Map representation, 935
 - Object-array representation, 941
 - properties, 38
 - underlying representation, 37
 - update, 49
 - version, 49
 - XML representation, 979
 - event as a property, 156
 - Event Property Type, 576
 - event time, 590
 - event type
 - declaring, 191
 - event_identity_equals function, 367
 - EventBean interface, 572
 - EventType interface, 572
 - every pattern operator, 286

every-distinct pattern operator, 291
exists function, 368
expression
 declaring, 208
expression alias, 105
expression batch window, 504
expression declaration, 106
expression window, 501
external time, 590
externally-timed batch window, 497
externally-timed window, 494

F

first event, 511
first length window, 500
first time window, 501
first unique window, 511
followed-by pattern operator, 301
from clause, 117
functions
 case control flow, 363
 cast, 364
 coalesce, 366
 current_evaluation_context, 366
 current_timestamp, 367
 event_identity_equals, 367
 exists, 368
 grouping, 368
 grouping_id, 368
 instance-of, 369
 istream, 370
 max, 371
 min, 371
 previous, 371
 previous count, 377
 previous tail, 374
 previous window, 375
 prior, 378
 type-of, 378
 user-defined, 361, 397

G

Generic Type, 576
group by clause, 129

grouping function, 368
grouping_id function, 368
groupwin window, 507

H

having clause, 139

I

in set operator, 350
index
 spatial, 693
inlined-class declaration, 109, 683
inner join, 171
insert, 271
insert into clause, 151
instance-of function, 369
istream, 370
iterator, 570

J

JavaScript, 687
join, 168
 from clause, 117
 non-relational data via method, script or UDF
 invocation, 183
 relational data via SQL, 176
JSON event representation, 947

K

keep-all window, 500
keywords, 94

L

lambda
 expression alias, 105
 expression declaration, 106
last event window, 510
length batch window, 494
length window, 493
like operator, 353
limit clause, 150
limiting output row count, 150
literals, 96
logical and comparison operators, 345

M

map event representation, 935

match recognize

 comparison, 321

 overview, 321

match_recognize

 operator precedences, 325

max function, 371

maximum-by, 387

merge, 262

method

 spatial, 691

methods

 aggregation, 473

 date-time, 445

 plug-in, 791

 enumeration, 403

 plug-in, 797

min function, 371

minimum-by, 389

MVEL, 687

N

named window, 229

 create index, 268

 deleting from, 260, 273

 index, 268

 inserting into, 235, 271

 merge, 262

 populating from a named window, 235

 selecting from, 238

 triggered select and delete using On Select Delete, 255

 triggered select using On Select, 251

 updating, 255, 272

 upsert, 262

named windows

 overview, 229

new, 356

not pattern operator, 300

O

object-array event representation, 941

on-delete, 259

on-select, 251

on-select-delete, 254

on-update, 255

operators

 arithmetic, 345

 array definition, 347

 array element, 348

 between, 352

 binary, 346

 concatenation, 346

 dot (period), 348

 in, 350

 like, 353

 logical and comparison, 345

 new, 356

 regexp, 354

or pattern operator, 300

order by clause, 149

ordered, 389

ordering output, 149

OSGi

 compiler, 540

 runtime, 608

outer join, 171

output

 snapshot, 147

 suppressing output, 146

output control and stabilizing clause, 142

output ordering, 149

output row count, 150

output when, 145

P

packaging

 J2EE, 608

 module, 524

Parameterized Type, 576

pattern

 filter event consumption, 284

 filter expressions, 282

 named window, 285

 operator precedences, 280

 overview, 275

 table, 285

- walkthrough, 318
- pattern atom, 308
- pattern guard, 303
 - custom plug-in, 783
 - timer-within, 304
 - timer-withinmax, 305
 - while, 306
- pattern observer
 - custom plug-in, 786
 - timer-at, 309
 - timer-interval, 308
 - timer-schedule, 312
- pattern operator
 - and, 298
 - every, 286
 - every-distinct, 291
 - followed-by, 301
 - not, 300
 - or, 300
- PERL, 687
- PHP, 687
- plug-in
 - custom aggregation function, 754
 - custom pattern guard, 783
 - custom pattern observer, 786
 - custom view, 748
 - date-time method, 791
 - enumeration method, 797
 - single-row function, 734
- plug-in loader, 601
- previous count function, 377
- previous function, 371
- previous tail function, 374
- previous window function, 375
- prior function, 378
- pull API, 570
- Python, 687

R

- ranked window, 512
- regexp operator, 354
- regression, 518
- relational databases, 176
- Ruby, 687

S

- safe iterator, 570
- script
 - declaring, 208
- script declaration, 109, 687
- select clause, 110
- single-row functions
 - custom plug-in, 734
- size window, 516
- sorted, 389
- sorted window, 512
- spatial
 - functions, 700
 - index, 693
 - intro, 691
 - method, 691
 - methods (external library), 700
 - types, 700
- SQL, 176
- statement
 - receiving results, 561
 - subscriber object, 563
- static Java methods, 361
- subqueries, 159
- subscriber object, 563
 - EPStatement, 564
 - multi-row, 567
 - no-parameter, 568
 - row-by-row, 564

T

- table, 230
 - create index, 268
 - deleting from, 273
 - index, 268
 - initializing, 250, 251, 251
 - inserting into, 248, 271
 - merge, 262
 - resetting, 250
 - selecting from, 249
 - updating, 272
 - upsert, 262
- tables
 - overview, 229

- testing, 605
- threading, 584
- time
 - controlling, 590
 - resolution, 593
- time batch window, 495
- time length batch window, 498
- time window, 494
- time-accumulating window, 499
- time-order window, 514
- time-to-live window, 515
- timer-at pattern observer, 309
- timer-interval pattern observer, 308
- timer-schedule pattern observer, 312
- timer-within pattern guard, 304
- timer-withinmax pattern guard, 305
- type-of function, 378

U

- UDF
 - user-defined function, 397
- unidirectional full outer joins, 174
- unidirectional joins, 173
- unique window, 506
- univariate statistics, 517
- UnmatchedListener interface, 580
- update, 272
- UpdateListener interface, 569
- upsert, 262
- user-defined function, 397
- user-defined single-row function, 361

V

- variable, 200
- variant stream, 154

W

- weighted average, 521
- where clause, 126
- while pattern guard, 306

X

- XML event representation, 979